



Wood Inserts



Welcome to the world of Jøtul.
Or rather to “The spirit of Jøtul”.

“The spirit of Jøtul” is all about a passion for warmth, which has burned brightly since the company began in 1853.

This passion inspires our philosophy “Warmth in every detail” which you can read about on the following pages.

To us heating is much more than physical warmth and cosiness, and we apply this philosophy to every stove and fireplace we create. That is why our products provide more than just warmth and cosiness. They do of course fulfill both of these functions extremely well, but all the products in this catalogue have so much more to offer.

I and everyone else at Jøtul hope that you will appreciate our broad range of stoves and fireplaces.

“The spirit of Jøtul” was first ignited in 1853 in Norway; it now burns brightly throughout the world. We hope that it will kindle and inspire you too.



Erik Moe, President & CEO

experience the spirit of Jøtul

Contents

Jøtul's Warmth Philosophy	4
Jøtul C 350 Winterport	6
Jøtul C 450 Kennebec/Tamarack	8
Jøtul C 550 Rockland	10
Technical Specifications	13
General Information	15

Jøtul's Warmth Philosophy

Where most people consider warmth to mean heating and cosiness, experience has taught us there is much more to it than that. In fact, there are six types of warmth: physical warmth and atmospheric warmth, in addition to visual, convenient, durable and sustainable warmth.

We combine our warmth philosophy, "Warmth in every detail", with a rich tradition for fine craftsmanship. In doing so we design cast iron stoves and fireplaces that create the ultimate warmth experience.

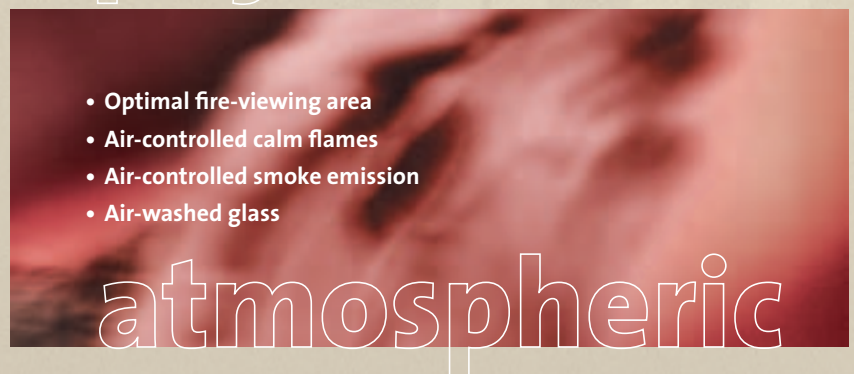
Physical warmth

To us, heating is not about creating the highest temperature, it is about creating the most comfortable temperature. Due to an optimum combination of convected and radiated heat our products can provide the most comfortable heat, in the most efficient manner. Furthermore, our clean burn technology ensures that practically all the particles and gases in the smoke are burned.



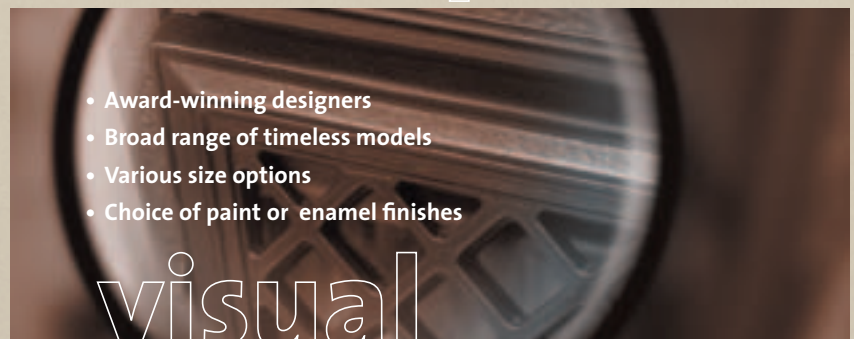
Atmospheric warmth

Nothing creates an intimate atmosphere quite like a gently crackling fire. And nothing calms you quite like the image of a flame dancing hypnotically on a glowing log. We have always believed in the seductive powers of the visible flame. For this reason, we have developed pioneering flame technology to achieve the perfect flame at all times.



Visual warmth

The atmosphere produced by a stove or fireplace is largely dependent on the aesthetic message it sends out. We aim to create a lasting impression in the home and follow our own "design for generations" ideal to give our stoves and fireplaces a timeless appeal. We collaborate with acclaimed design houses in order to design award-winning stoves and fireplaces that outlive trends and retain their timeless beauty for decades.



- Easy to operate
- Problem-free maintenance
- Wipe-clean glass and enamel surfaces
- Simple installation and part replacement

convenient

- Dependable cast iron durability
- 10-year manufacturing guarantee
- Minimum 10-year part availability
- Cast iron heritage since 1853

durable

- Minimal smoke emissions
- Recycled materials
- Clean burn products

sustainable

Convenient warmth

We put an enormous amount of effort into our hearth products so our customers don't have to. The hearth is the center-piece of the home – it is an essential part of everyday life – and for this reason it should represent total functionality. Everything about a Jøtul product is geared towards our customers' convenience: it is easy to install, easy to use, easy to clean and easy to maintain. Life is already complicated enough, so we make its pleasures a little easier to enjoy.

Durable warmth

Owning a Jøtul stove or fireplace is a lasting experience. Since 1853 we have employed the finest handcrafting techniques in order to provide our customers with long-lasting, durable warmth. Warmth they can trust. Because where fire is involved, safety and security are vital. Cast iron delivers the highest standard of strength and durability. As one of the world's oldest cast iron stove and fireplace manufacturers, no company delivers a longer lasting promise of quality.

Sustainable warmth

Our understanding of warmth enables us to create the ultimate experience of warmth. All the cast iron we use is recycled. And by relying mostly on hydroelectric power to smelt recycled iron, we keep polluting emissions to an absolute minimum. Furthermore, our clean burn technology ensures that our products boast the most efficient use of energy which also reduces the volumes of particles emitted locally. This means our customers can light their hearth products with minimal effect on the environment.

Jøtul C 350 Winterport

Non-Catalytic Wood Burning Insert

Designed specifically for smaller masonry fireplaces and factory built wood fireplaces, the Vesta Design and Technology Award-winning Jøtul C 350 Winterport is our latest innovation in wood insert technology. We use the Jøtul Simplex™ clean burn combustion technology to optimize fuel load and heating efficiency. Named after the coastal Maine town of Winterport and featuring one of the largest fire viewing areas of any comparably sized wood burning insert, the Jøtul C 350 Winterport is sure to bring some Maine charm into your home. To maximize efficiency we have included two variable speed heat activated blower fans. Popular options include small and large surround panels and a choice of three colors.

Options

*Cast Iron surround (25 1/2"H x 37"W)
with 2" cast iron plinth (27 1/2"H x 37"W)*

*Steel wide surround (30"H x 40"W) (shown at
right) (must be used with cast surround panel)*

Pull down flue adaptor

Choice of three colors



Classic Matte Black Paint



Jøtul Iron™ Paint



Blue/Black Porcelain Enamel



Features

Standard twin blower fans (110 cfm)

Full view air washed glass provides a clear view of flames

Proven spring-loaded door latch system recognized as the industry's finest

Clean face look with Jøtul's signature Gothic arch

One conveniently located air control lever easily operates the entire stove

Jøtul Simplex™ non-catalytic clean burn system puts more heat into the room without sacrificing fuel load capacity

Standard andirons

Custom riser kit for firebox leveling capability

Retro-fittable to most factory built woodburning fireplaces

5 year limited warranty



Jøtul C 350 Winterport

*Jøtul C 350 Winterport Wood Insert shown here
in Classic Matte Black Paint*

Jøtul C 450 Kennebec/Tamarack

Non-Catalytic Wood Burning Insert

Jøtul's signature Gothic arch double door design has been incorporated into our wood burning insert – the Jøtul C 450 Kennebec/Tamarack. Our cast iron designers, world-renowned Red House Design, and our talented product development team took great pride in designing the Jøtul C 450 Kennebec/Tamarack to allow for over 20% more fire viewing area than its competitors. With its new two speed heat activated standard blower fan, the Jøtul C 450 Kennebec/Tamarack is a very robust heater that will add warmth to your hearth, heart and home. Popular options include: classic Kennebec or woven lattice Tamarack cast iron surround panels (each 30 1/4”H x 40”W), wide cast iron surround (34”H x 48”W – must be used with standard surround), and a choice of three colors.

Options

Tamarack lattice surround panel
(30 1/4”H x 40”W) (see photo)

Wide cast iron surround panel (see photo)
(34”H x 48”W – must be used with
standard surround)

Choice of three colors



Classic Matte Black Paint



Jøtul Iron™ Paint



Blue/Black Porcelain Enamel



Features

Largest fire viewing area (171 sq. in.) of any similar sized wood burning insert

Full view air washed glass provides a clear view of flames

Graceful double doors with signature Jøtul Gothic arch

Standard blower (120 cfm) maximizes heating efficiency

Classic cast iron surround panel design that fits the majority of North American fireplaces

One easy control lever operates the entire stove

Precision depth adjustable firebox

5 year limited warranty



VESTA AWARD
2002
FINALIST
WOOD STOVES & INSERTS
PRESENTED BY HEARTH & HOME MAGAZINE



Jøtul C 450 Kennebec

*Jøtul C 450 Kennebec Wood Insert
shown here in Classic Matte Black Paint*

Jøtul C 550 Rockland

Non-Catalytic Wood Burning Insert

Clean lines and delicate curves frame the magnificent fire view of our new large flush face wood burning insert – the Jøtul C 550 Rockland. Featuring one of the largest fire viewing areas of any comparably sized wood burning insert, the Jøtul C 550 Rockland incorporates the Jøtul Simplex™ clean burn combustion system that maximizes heating efficiency and firebox capacity. Named after the coastal Maine town of Rockland, the Jøtul C 550 Rockland was designed to be a whole house heater. Standard features include two variable speed heat activated blower fans. Popular options include small and large surround panels and a choice of three colors.

Options

Cast iron surround (31 5/8" H x 40" W)

Steel wide trim surround (must be used with cast iron surround)

(34" H x 44" W)

Choice of three colors



Classic Matte Black Paint



Jøtul Iron™ Paint



Blue/Black Porcelain Enamel



Features

Jøtul Simplex™ clean burn technology with removable baffle

Standard andirons

Full view air washed glass provides a clear view of flames

Premium “flush face” design

Standard twin blower fans (180 cfm)

Removable pull down flue adaptor

Patented Jøtul spring-loaded door latch system

One conveniently located air control lever easily operates the entire stove

5 year limited warranty

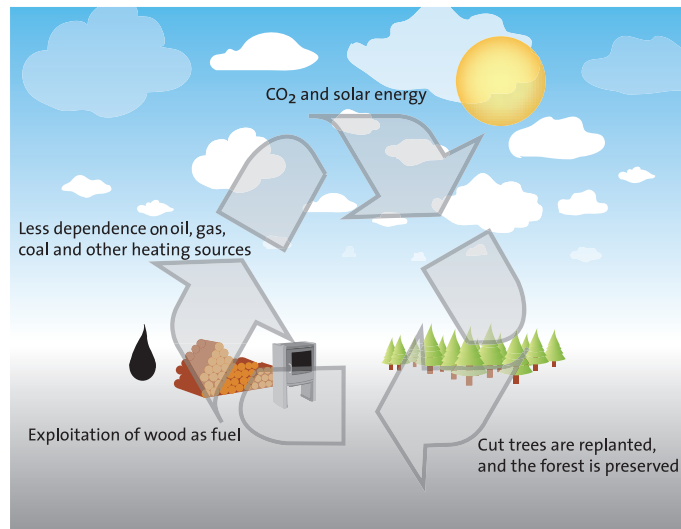


HEARTH & HOME
U.S.A.
2007
Wood Stoves & Inserts

Jøtul C 550 Rockland

*Jøtul C 550 Rockland Wood Insert shown here
in Classic Matte Black Paint*

Benefits of burning wood



Burning the right wood

Many factors play a part when it comes to the overall quality of the wood you burn. All wood, regardless of the species, has about the same energy content per pound. The different species vary only in density. The more dense a species of wood is, the greater the heat value or BTUs created per cord. Hard wood (oak, maple) will burn longer and produce more heat than softer woods (pine, birch). Ultimately it is more important to have wood that is cut, split, stacked and dried properly than it is to get the hardest wood available. Seasoning or drying your wood prior to burning is a key ingredient to a high efficiency, low emissions fire. Depending on the species, wood should be cut, split and allowed to dry under cover for 6 months to two years.

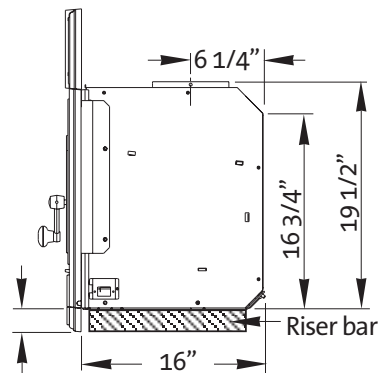
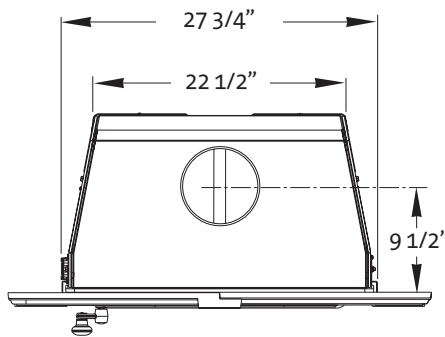
Clean Burn Technology

Volatile gases are released from wood as it burns. Fifty percent of wood's heat value is contained in these gases and, if not completely burned, they contribute to air pollution. By burning well seasoned wood, and utilizing Jøtul's clean burn technology, you greatly reduce smoke emissions while increasing your stove or insert's efficiency.

Woodburning Fireplace Insert Specifications

Jøtul C 350 Winterport
 Classic Cast Iron Surround
 37" wide x 25 1/2" high
 (27 1/2" H w/Plinth)

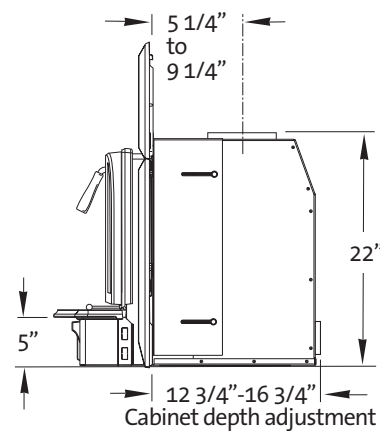
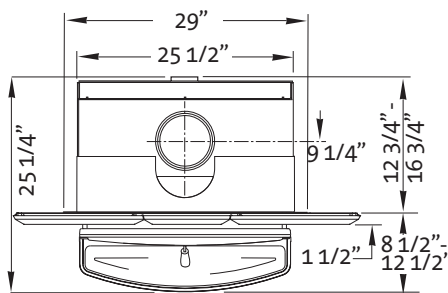
Extended Steel Surround
 Backing Panel
 40" wide x 30" high



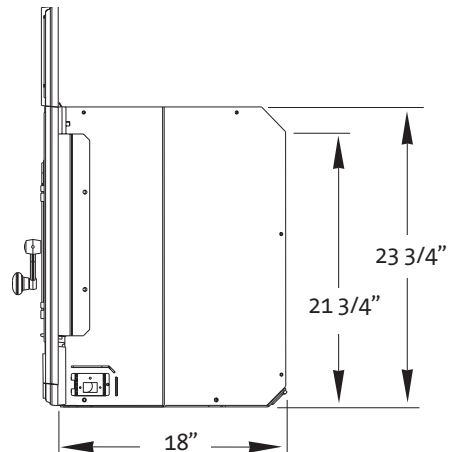
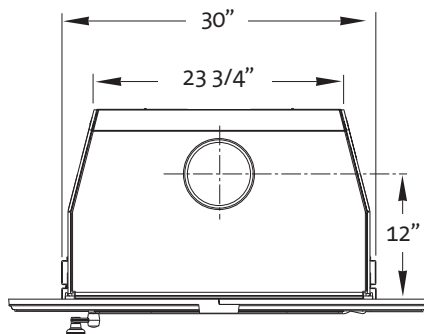
Jøtul C 450 Kennebec
 Classic Cast Iron Surround
 40" wide x 30 1/4" high

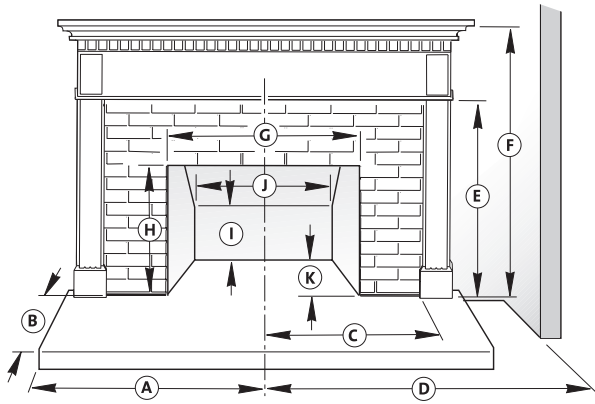
Jøtul C 450 Tamarack
 Lattice Cast Iron Surround
 40" wide x 30 1/4" high

Extended Cast Iron Surround
 48" wide x 34" high



Jøtul C 550 Rockland
 Classic Cast Iron Surround
 40" wide x 31 5/8" high
 Extended Steel Surround
 Backing Panel
 44" wide x 34" high





All dimensions measured from the fireplace cavity centerline or the hearth surface

Minimum Dimensions	Jøtul C 350	Jøtul C 450	Jøtul C 550
A: Hearth Width from centerline	17 1/4"	20"	18 1/2"
B: Hearth Depth	16"	18"	16"/20" CAN***
C: To 1" Side Trim from centerline	19 1/2"	20 3/4"	21 3/4"
D: To Side Wall from centerline	54 1/2"	44 1/4"	54"
E: To 1" Top Trim	39"	n/a	n/a
F: To 3 1/2" Mantel To 11 1/2" Mantel	48"/54"	49 1/2"/55 1/2"	51 3/4"/57 3/4" CAN** 57 3/4"/63 1/2" CAN**
G: Front Opening Width	32"	27 1/2"	33"
H: Lintel Height	19 1/2"	23"	23 3/4"
I: Rear Wall Height	16 3/4"	21 1/2"	22"
J: Rear Wall Width	22 3/4"	25 1/2"	24"
K: Fireplace Depth	16"	14"-17"	19"

* Add 2" w/ Jøtul C 350 Riser
 ** Mantel clearance may be reduced by 15 1/2" in both US and Canada with use of optional Mantel Heat Shield
 *** 18" in Canada with 2 1/2" raised hearth extension in code approved masonry fireplace



Model	Jøtul C 350 Winterport	Jøtul C 450 Kennebec	Jøtul C 550 Rockland
Combustion Technology	Non-Catalytic Clean Burn	Non-Catalytic Clean Burn	Non-Catalytic Clean Burn
Construction	Cast Iron & Steel	Cast Iron & Steel	Cast Iron & Steel
Minimum Fireplace Dimensions	32" x 19 1/2" x 16"	27 1/2" x 23" x 14"-17"	33" x 23 3/4" x 19"
Weight	272 lbs.	450 lbs.	550 lbs.
Flue Size	6"	6"	6"
Minimum Hearth Dimensions	34 1/2" x 16"	40" x 18"	37" x 16"/20" Can
Log Length	up to 20"	up to 20" (21"=firebox width)	up to 24"
Maximum Heat Output ¹	40,000 BTU/hr	55,000 BTU/hr	65,000 BTU/hr
Heating Capacity ²	up to 1,300 sq. ft.	up to 1,600 sq. ft.	up to 1,800 sq. ft.
Overall Efficiency ³	71%	71%	71%
Emissions	4.0 grams/hr	4.4 grams/hr	4.0 grams/hr
Burn Time	up to 7 hours	up to 8 hours	up to 10 hours

¹ Maximum Heat Output is based on kg of dry wood burned per hour
² Heat Capacity and Maximum Burn Time will vary depending on design of home, climate, wood type and operation
³ Overall Efficiency is based on a burn rate of .75kg wood per hour
 * Depth is overall depth with ashlip and smoke outlet included

General Information

Warranty

Our 5 year warranty: a cast iron promise of quality. Jøtul guarantees the quality of its cast iron components against any defects in materials or workmanship for five years, subject to the exclusions and limitations noted on our warranty. For complete details, ask your Authorized Jøtul Dealer.

Installation

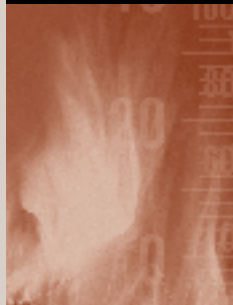
Specifications and dimensions published in this brochure are intended to be used as guidelines for comparison only. Always consult the owner's manual in planning any installation. Specifications and dimensions are subject to change without notice. Contact local building or fire officials regarding restrictions and installation inspection requirements in your area.

Photographs

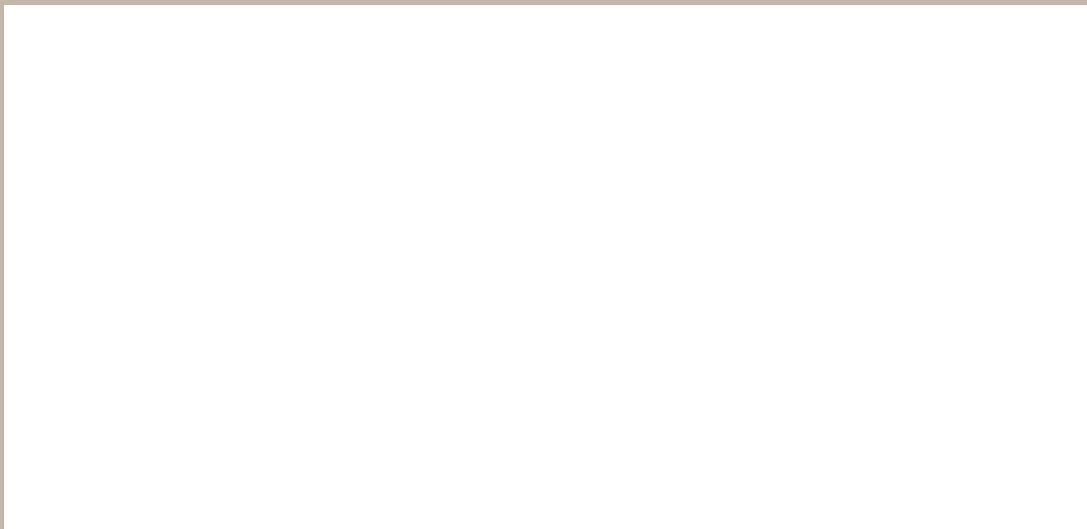
Some settings for the photographs are for aesthetic purposes only and may not comply with installation requirements. Materials, specifications, accessories, colors, and models are subject to change without notice. Some models are shown with optional accessories.

All Matte Black painted wood stoves and inserts come with Matte Black door handles.

BTU ratings are to be used as a guideline only, and do not imply a guarantee of the heating capacity of the unit.



Ask your authorized Jøtul Dealer about our full line of cast iron wood and gas stoves, inserts and fireplaces.



Jøtul North America
55 Hutcherson Drive
Gorham, Maine 04038

www.jotul.us



Wood Inserts

Printed in U.S.A.
September 2007



Free Manuals Download Website

<http://myh66.com>

<http://usermanuals.us>

<http://www.somanuals.com>

<http://www.4manuals.cc>

<http://www.manual-lib.com>

<http://www.404manual.com>

<http://www.luxmanual.com>

<http://aubethermostatmanual.com>

Golf course search by state

<http://golfingnear.com>

Email search by domain

<http://emailbydomain.com>

Auto manuals search

<http://auto.somanuals.com>

TV manuals search

<http://tv.somanuals.com>