



Gas Inserts
and Fireplaces



Welcome to the world of Jøtul.
Or rather to “The spirit of Jøtul”.

“The spirit of Jøtul” is all about a passion for warmth, which has burned brightly since the company began in 1853.

This passion inspires our philosophy “Warmth in every detail” which you can read about on the following pages.

To us heating is much more than physical warmth and cosiness, and we apply this philosophy to every stove and fireplace we create. That is why our products provide more than just warmth and cosiness. They do of course fulfill both of these functions extremely well, but all the products in this catalogue have so much more to offer.

I and everyone else at Jøtul hope that you will appreciate our broad range of stoves and fireplaces.

“The spirit of Jøtul” was first ignited in 1853 in Norway; it now burns brightly throughout the world. We hope that it will kindle and inspire you too.



Erik Moe, President & CEO

experience the spirit of Jøtul

Contents

Jøtul's Warmth Philosophy	4
Jøtul GI 350 DV	6
Jøtul GI 450 DV Katahdin	8
Jøtul GI 550 DV	10
Jøtul Little Diamond series	12
Jøtul Great Diamond series	13
Jøtul Cathedral Arch series	14
Jøtul Grand Forge series	16
Jøtul GZ 550 DV II Acadia	18
Jøtul Quickface System™	20
Features & Benefits	21
Technical Specifications	22
General Information	27

Jøtul's Warmth Philosophy

Where most people consider warmth to mean heating and cosiness, experience has taught us there is much more to it than that. In fact, there are six types of warmth: physical warmth and atmospheric warmth, in addition to visual, convenient, durable and sustainable warmth.

We combine our warmth philosophy, "Warmth in every detail", with a rich tradition for fine craftsmanship. In doing so we design cast iron stoves and fireplaces that create the ultimate warmth experience.

Physical warmth

To us, heating is not about creating the highest temperature, it is about creating the most comfortable temperature. Due to an optimum combination of convected and radiated heat our products can provide the most comfortable heat, in the most efficient manner. Furthermore, our clean burn technology ensures that practically all the particles and gases in the smoke are burned.



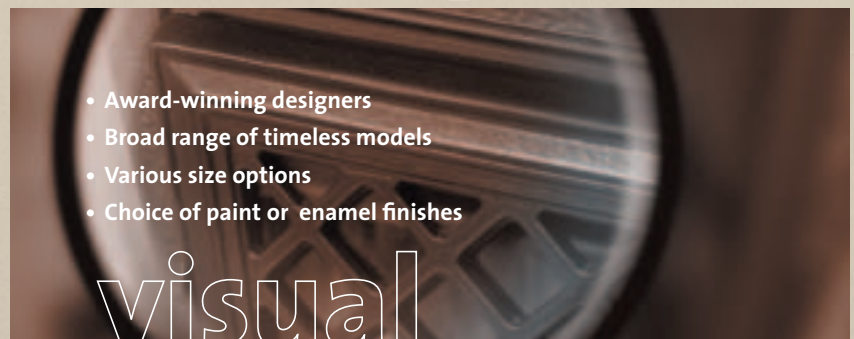
Atmospheric warmth

Nothing creates an intimate atmosphere quite like a gently crackling fire. And nothing calms you quite like the image of a flame dancing hypnotically on a glowing log. We have always believed in the seductive powers of the visible flame. For this reason, we have developed pioneering flame technology to achieve the perfect flame at all times.



Visual warmth

The atmosphere produced by a stove or fireplace is largely dependent on the aesthetic message it sends out. We aim to create a lasting impression in the home and follow our own "design for generations" ideal to give our stoves and fireplaces a timeless appeal. We collaborate with acclaimed design houses in order to design award-winning stoves and fireplaces that outlive trends and retain their timeless beauty for decades.



- Easy to operate
- Problem-free maintenance
- Wipe-clean glass and enamel surfaces
- Simple installation and part replacement

convenient

- Dependable cast iron durability
- 10-year manufacturing guarantee
- Minimum 10-year part availability
- Cast iron heritage since 1853

durable

- Minimal smoke emissions
- Recycled materials
- Clean burn products

sustainable

Convenient warmth

We put an enormous amount of effort into our hearth products so our customers don't have to. The hearth is the center-piece of the home – it is an essential part of everyday life – and for this reason it should represent total functionality. Everything about a Jøtul product is geared towards our customers' convenience: it is easy to install, easy to use, easy to clean and easy to maintain. Life is already complicated enough, so we make its pleasures a little easier to enjoy.

Durable warmth

Owning a Jøtul stove or fireplace is a lasting experience. Since 1853 we have employed the finest handcrafting techniques in order to provide our customers with long-lasting, durable warmth. Warmth they can trust. Because where fire is involved, safety and security are vital. Cast iron delivers the highest standard of strength and durability. As one of the world's oldest cast iron stove and fireplace manufacturers, no company delivers a longer lasting promise of quality.

Sustainable warmth

Our understanding of warmth enables us to create the ultimate experience of warmth. All the cast iron we use is recycled. And by relying mostly on hydroelectric power to smelt recycled iron, we keep polluting emissions to an absolute minimum. Furthermore, our clean burn technology ensures that our products boast the most efficient use of energy which also reduces the volumes of particles emitted locally. This means our customers can light their hearth products with minimal effect on the environment.

Jøtul GI 350 DV

Direct Vent Gas Insert

We looked at almost every other gas insert around and we could not find many with clean-face designs. So we designed our Jøtul GI 350 DV gas insert with hidden controls, "Fire on the Floor™" design, and one of the largest fire viewing areas of any gas insert in its size on the market. The Jøtul GI 350 DV won us industry recognition with a Vesta Design and Technology Award for best new gas insert for 2007. Offering a variety of fronts, cast iron or steel, and various interior panel kits, the Jøtul GI 350 DV can be tailored to fit any home or hearth. Enjoy the view!

Options

*Little Diamond cast iron surround
(available in three colors - see page 12)*

*Little Diamond cast iron double doors
(available in three colors - see page 12)*

Screen for open door fire viewing

Choice of four interior panel packages

*Cathedral Arch Steel Front
(available in three finishes - see page 14)*

*Grand Forge Steel Front
(available in three finishes - see page 16)*

Surround sizes: see page 22



Features

Revolutionary new JøtulBurner™ delivers unsurpassed gas burner technology and flame picture (Patent #7004751)

50% heat control turndown

Innovative Fire-on-the-Floor™ design

Variable speed blower with manual override (60-125 cfm)

Leg levelers for adjustable firebox height - up to 3 inches

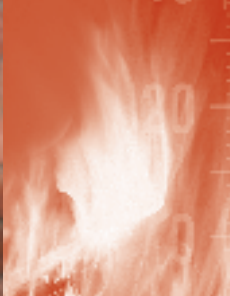
Perfectly sized to retrofit into factory built wood fireplaces

Conveniently located side mounted gas valve and control assembly

Handcrafted ceramic fiber log set burns with the glowing warmth of a wood fire

Optional remote and wall thermostat

5 year limited warranty



Jøtul GI 350 DV Little Diamond



Jøtul GI 350 DV shown with Classic Matte Black Paint, Little Diamond cast iron surround, plinth and double doors. Additional options include antique brick panel kit and firescreen

Jøtul GI 450 DV Katahdin

Direct Vent Gas Insert

The Jøtul GI 450 DV Katahdin gas insert offers your home tremendous heat without losing any room space. Our classic cast iron design with furnace rated direct vent heating performance is simple to install and easy to service. Named after Mt. Katahdin, Maine's highest peak, the Jøtul GI 450 DV Katahdin will surely bring some Maine charm to your home.

Jøtul includes a standard cast iron surround (40" wide by 30" high) and offers an optional wide cast iron surround (48" wide x 34" high). Also available are a wall thermostat, fire screen, antique brick panels (molded from real brick), and remote control for added convenience..

Options

Wall thermostat

Remote control

Wide cast iron surround (shown at right)
(must be used w/standard surround)

Fire screen

Antique brick panel kit (molded from real brick)

Available in three colors



Classic Matte Black Paint



Jøtul Iron™ Paint



Blue/Black Porcelain Enamel



Features

Panoramic flush face design

Crafted cast iron with unique interior detailing and intricate enameled decorative side panels

Sculpted cast iron surrounds add classic decorative flair

Dramatic flame picture – realistic ceramic fiber logs burn with the warm glow of a wood fire

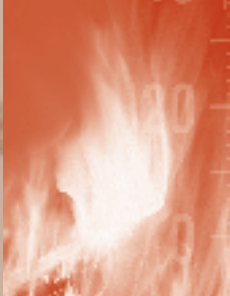
Enameled cast iron fettle and andirons

Easy to install in virtually any fireplace

Standard blower fan (60 - 125 cfm)
2" riser plinth included with every unit

Glass panel 29 1/4"W x 13 1/4"H – one of the industry's largest!

5 year limited warranty



Jøtul GI 450 DV Katahdin

Jøtul GI 450 DV Katahdin Gas Insert shown here in Blue/Black Porcelain Enamel, optional fire screen and antique brick panel kit

Jøtul GI 550 DV

Direct Vent Gas Insert

It didn't take us long to realize the Jøtul GI 350 DV needed a bigger sibling. And naturally, we wanted the same features that distinguish these models from the competition. So we designed our Jøtul GI 550 DV gas insert with hidden controls, "Fire on the Floor™" design, and one of the largest fire viewing areas of any gas insert in its size on the market. It got us more Vesta Design and Technology recognition - a significant coup for our talented development staff! Offering a variety of fronts, cast iron or steel, and various interior panel kits, the Jøtul GI 550 DV can be tailored to fit any home or hearth. Enjoy the view!

Options

*Great Diamond cast iron surround
(available in three colors - see page 13)*

*Great Diamond cast iron double doors
(available in three colors - see page 13)*

Wide trim surround

Screen for open door fire viewing

Choice of four interior panel packages

*Cathedral Arch Steel Front
(available in three finishes - see page 14)*

*Grand Forge Steel Front
(available in three finishes - see page 16)*

Surround sizes: see page 24



Features

Revolutionary new JøtulBurner™ delivers unsurpassed gas burner technology and flame picture (Patent # 7004751)

50% heat control turndown

Optional remote and wall thermostat

Innovative Fire-on-the-Floor™ design

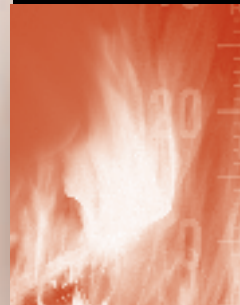
Variable speed heat activated blower with manual override (60-125 cfm)

Leg levelers for adjustable firebox height - up to 3 inches

Conveniently located side mounted gas valve and control assembly

Handcrafted ceramic fiber log set burns with the glowing warmth of a wood fire

5 year limited warranty



Jøtul GI 550 DV Great Diamond



Jøtul GI 550 DV shown with Classic Matte Black Paint, Great Diamond cast iron surround and double doors. Additional options include border brick panel kit and firescreen

Jøtul Little Diamond Series

Available on GI 350 DV inserts

Classic Matte Black Paint



Jøtul Iron™ Paint



Blue/Black Porcelain Enamel



Little Diamond cast iron surround shown in Blue/Black Porcelain Enamel with 2" plinth and optional antique brick kit



Antique brick kit



Border brick kit



Gray Corduroy panel kit



Black Corduroy panel kit



Little Diamond cast iron surround with standard steel wide surround, 2" plinth and double doors shown in Classic Matte Black Paint with optional antique brick kit



Little Diamond cast iron surround, double doors, and 2" plinth shown in Classic Matte Black Paint, optional antique brick kit and firescreen

Jøtul Great Diamond Series

Available on GI 550 DV inserts

Classic Matte Black Paint



Jøtul Iron™ Paint



Blue/Black Porcelain Enamel



Great Diamond cast iron surround shown in Classic Matte Black Paint and optional border brick kit



Antique brick kit



Border brick kit



Gray Corduroy panel kit



Black Corduroy panel kit



Great Diamond cast iron surround and double doors shown in Classic Matte Black Paint and optional border brick kit



Great Diamond cast iron surround and double doors shown in Classic Matte Black Paint, optional border brick kit and firescreen



Jøtul Diamond Series

Jøtul Cathedral Arch Series

Available on GI 350 DV and GI 550 DV inserts



Cathedral Arch Front shown in Black Powder Coat with optional border brick kit



Antique brick kit



Border brick kit



Cathedral Arch Front shown in Natural Iron with optional border brick kit



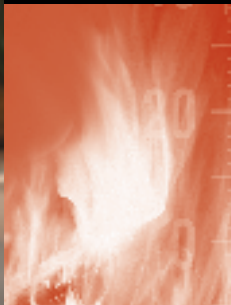
Gray Corduroy panel kit



Black Corduroy panel kit



Cathedral Arch Front shown in Charcoal Gray Powder Coat with optional border brick kit



Jøtul GI 550 DV Cathedral Arch



Jøtul GI 550 DV shown with Cathedral Arch Front in Natural Iron with optional border brick kit

Jøtul Grand Forge Series

Available on GI 350 DV and GI 550 DV inserts



Grand Forge Front shown in Black Powder Coat with optional border brick kit



Antique brick kit



Border brick kit



Gray Corduroy panel kit



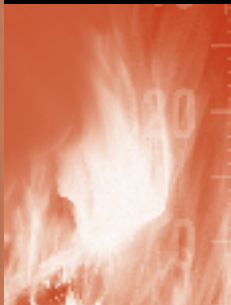
Black Corduroy panel kit



Grand Forge Front shown in Natural Iron with optional border brick kit



Grand Forge Front shown in Charcoal Gray Powder Coat with optional border brick kit



Jøtul GI 550 DV Grand Forge



*Jøtul GI 550 DV shown with
Grand Forge Front in
Charcoal Gray Powder Coat and
optional border brick kit*

Jøtul GZ 550 DV II Acadia

Direct Vent Gas Fireplace

We looked at almost every other zero clearance fireplace around and we couldn't find many fireplaces made of cast iron – all we saw was black tin.

So we designed a cast iron fireplace that's not gussied up like a Victorian lady, nor poor plain Jane. We combined the sculptural qualities of cast iron and Jøtul's new revolutionary cast iron and stainless steel burner, the JøtulBurner™, to create a fireplace that's sleek and elegant; restrained enough to enhance any décor. The Jøtul GZ 550 DV II Acadia comes with many options – screens, arched and rectangular faces, antique brick panels (molded from real brick), double doors, remote control, blower fan and more.



JøtulBurner™

Options

*Antique brick panel kit
(molded from real brick)*

*Variable speed heat activated blower with
manual override
(60-125 cfm)*

Screen for open door fire viewing

Multiple venting installations

Wall thermostat

Remote control

Jøtul Quickface System™ (see page 20)

Available in three colors



Classic Matte Black Paint



Jøtul Iron™ Paint



Blue/Black Porcelain Enamel



Features

Revolutionary new JøtulBurner™ delivers unsurpassed gas burner technology and flame picture (Patent # 70044751)

50% heat control turndown

Elegant cast iron surround panels with Cascading Lattice™

Three position On/Off/T-stat switch

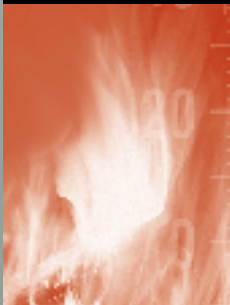
Gas conversion kit included with every stove for use with propane

No electricity required to operate

Handcrafted ceramic fiber log set burns with the warm glow of a wood fire

Standard enameled cast iron fettle and andirons

5 year limited warranty



Jøtul GZ 550 DV II Acadia

Jøtul GZ 550 DV II Acadia shown here installed in a corner mantel cabinet with optional Jøtul Quickface System™ accessories and antique brick panel kit

Jøtul Quickface System™

(For Jøtul GZ 550 DV II Acadia)

It's easy to change the look of your Jøtul GZ 550 DV II Acadia. By choosing one of two face shapes, offered in two colors (Classic Matte Black or Brushed Stainless), you can customize your Jøtul GZ 550 DV II Acadia to your particular décor or mood. Or you can enhance your fire viewing experience with the cast iron arched double doors option.

Quickly installed, the fully functional doors also allow use of an optional fire screen. Add our antique brick panel kit, shown below, to provide a unique accent of authenticity not available in any other zero clearance gas fireplace or gas insert.



*Arched Face Classic Matte Black,
with removable screen
(Also available in Brushed Stainless)*



*Rectangular Face Brushed Stainless,
with removable screen
(Also available in Classic Matte Black)*



*Arched Double Doors
(Available in Classic Matte Black, Jøtul Iron™
Paint or Blue/Black Porcelain Enamel)*



Fire Screen



Antique Brick Panel Kit



*Here the brushed stainless Arched Face on the Jøtul GZ 550 DV II Acadia
enlivens this contemporary interior.*

Jøtul Fireplace & Insert Features and Benefits

Trim-cooling Manifold System™ (Acadia only)

This means you have the ability to frame or sheetrock right up to the unit — a true zero clearance and cost effective installation!

Available in Three Cast Iron Colors

You can color coordinate more easily with more than one color option. We offer three: Classic Matte Black Paint, Jøtul Iron™ Paint or Blue/Black Porcelain Enamel.

Steel Facing Options (GI 350 DV and GI 550 DV only)

Choose from two styles (Cathedral Arch or Grand Forge) and three color options (Natural Iron, Black or Charcoal Gray Powder Coat) to accent the magnificent fireview of our gas inserts.



Optimal Fire Viewing Area

Jøtul has always placed a premium on large fire viewing areas. Our fireplaces and inserts continue to set the standard for the industry.

Ceramic Glass & Advanced Heat Exchange

All Jøtul gas fireplaces & inserts are furnace rated. In laymen's terms - this means great heating capacity with minimal heat loss.

Cast Iron Double Door Options

Our signature – no one does it as well as Jøtul!

Handcrafted Ceramic Fiber Log Set

Really, they are ceramic! Enhanced realism, including glowing ember beds, will fool the eyes. There are no visible burner parts. We have worked hard to reproduce the warm glow of a wood fire.

Jøtul Quickface System™ of Optional Firebox Facings (Acadia only)

This system of modular facings lets you change the look of your fireplace or insert to best fit your existing décor. The tool-free installation of these options makes the conversion easy for anyone.

Standard Enameled Cast Iron Fettle & Andiron

More details which enhance the realism of the wood fireplace look. Plus: enamel means no rusting!

Interior Panel Kit Options

Our hand crafted interior panel packages are proof that we will stop at nothing to create the most attractive and authentic looking fireplace or insert you can buy!

Jøtul GI 350 DV Gas Insert Specifications

Surround Sizes

Jøtul GI 350 DV

Cast Iron Surrounds -

34 1/2" W x 24 1/2" H

34 1/2" W x 26 1/2" H w/Plinth

Cast Iron Surround w/ Wide Surround

38" W x 26" H w/ included Wide

Steel Surround

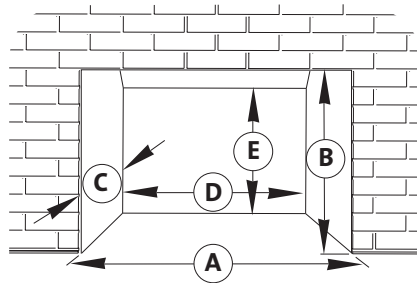
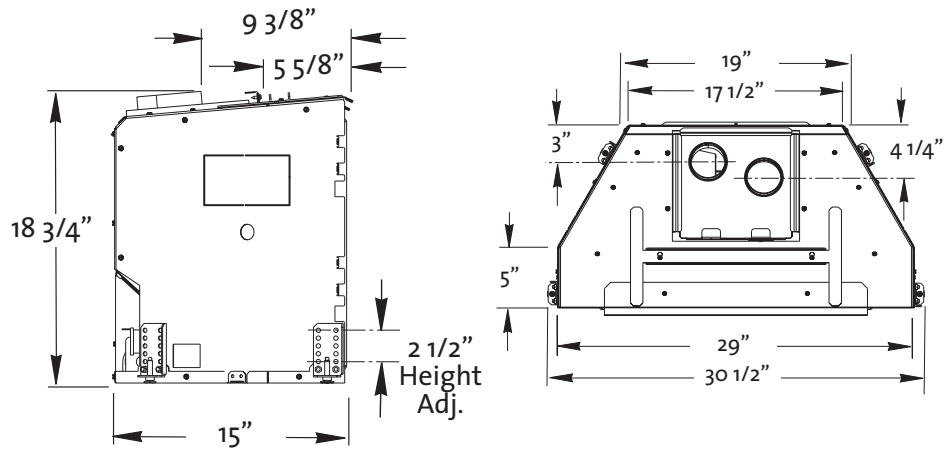
38" W x 28" H w/ included Wide Steel

Surround and Plinth Extensions

Grand Forge or Cathedral Arch

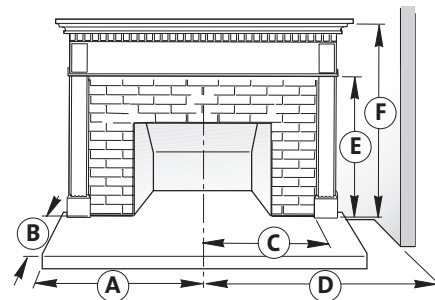
Steel Front

38" W x 28" H



<i>Jøtul GI 350 DV</i>		
A*	Minimum Opening Width	31"
B	Minimum Opening Height	20"
C	Minimum Fireplace Depth	16"
D*	Minimum Back Wall Width	19"
E	Minimum Back Wall Height	19"

*Subtract 1" if leg leveler brackets are not used



<i>Jøtul GI 350 DV Cast Iron</i> <i>Jøtul GI 350 DV Steel</i>			
A	Hearth width from centerline	18"	18"
B	Hearth depth	16"	16"
C	Side trim from centerline	18 1/4"	20"
D	To side wall from centerline	41 1/4"	43"
E**	To top trim from hearth	35"	38"
F**	To 1 1/2" Mantel from hearth	41"	44"

** Add 2" for GI 350 DV & cast iron surround with plinth

Jøtul GI 450 DV Gas Insert Specifications

Surround Sizes

Jøtul GI 450 DV

Cast Iron Surrounds

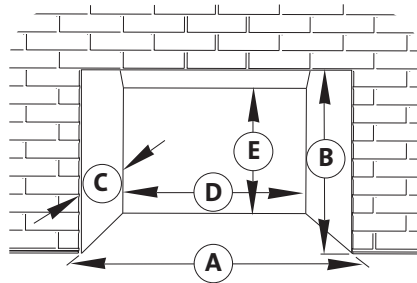
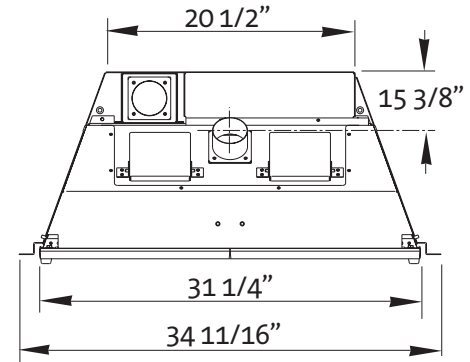
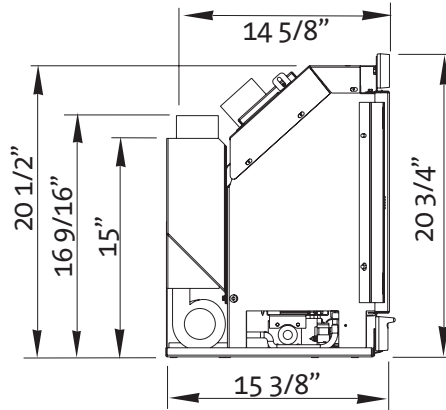
40" W x 28" H

40" x 30" w/Plinth

48" x 32" w/ optional Wide

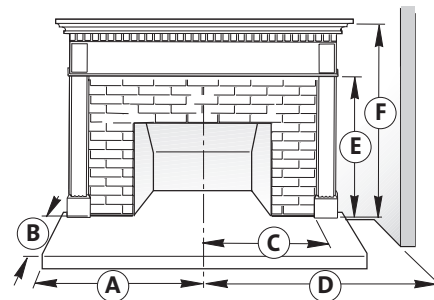
Surround

48" x 34" w/ optional Wide Surround and Plinth



A	Minimum Opening Width	32 1/2"
B	Minimum Opening Height	20"
C	Minimum Fireplace Depth	15"
D	Minimum Back Wall Width	21"
E	Minimum Back Wall Height	17"

Jøtul GI 450 DV Cast Iron



A	Hearth width from centerline	16"
B	Hearth depth	18"
C	Side trim from centerline	22"
D	To side wall from centerline	40"
E	To top trim from hearth	36"
F	To 1 1/2" Mantel from hearth	38"

Jøtul GI 450 DV Cast Iron

Jøtul GI 550 DV Insert Specifications

Surround Sizes

Jøtul GI 550 DV

Cast Iron Surrounds

- 40" W x 30" H
- 40" W x 32" H w/Plinth

Cast Iron Surround w/ Wide Surround

- 46 1/2" W x 33" H w/ optional Wide

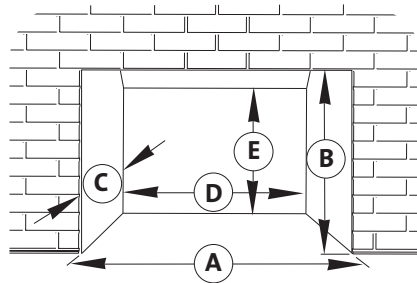
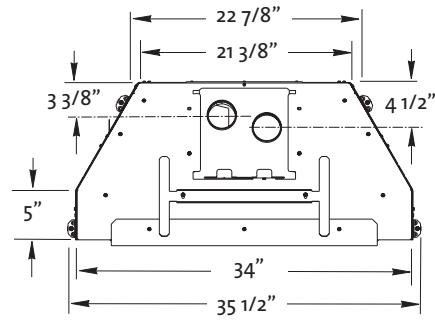
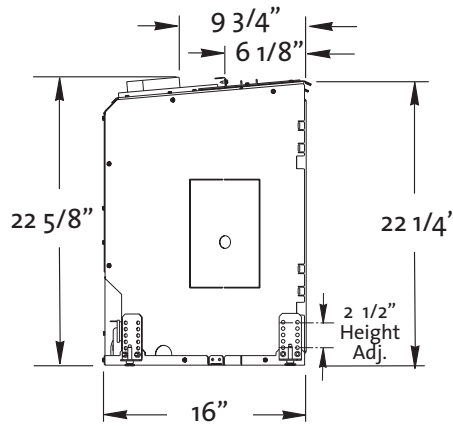
Steel Surround

- 46 1/2" W x 35" H w/ optional Wide Steel Surround and Plinth Extensions

Grand Forge or Cathedral

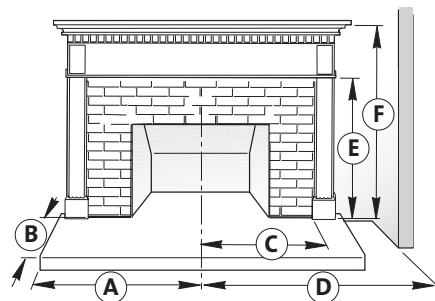
Arch Steel Front

- 44" W x 32" H



A*	Minimum Opening Width	36"
B	Minimum Opening Height	24"
C	Minimum Fireplace Depth	17"
D*	Minimum Back Wall Width	23"
E	Minimum Back Wall Height	23"

*Subtract 1" if leg leveler brackets are not used



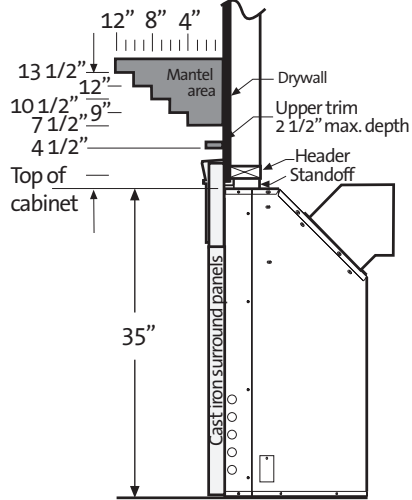
A	Hearth width from centerline	18"	18"
B	Hearth depth	18"	18"
C	Side trim from centerline	21"	23"
D	To side wall from centerline	44"	46"
E**	To top trim from hearth	42"	44"
F**	To 11 1/2" Mantel from hearth	48"	50"

* 16" with plinth

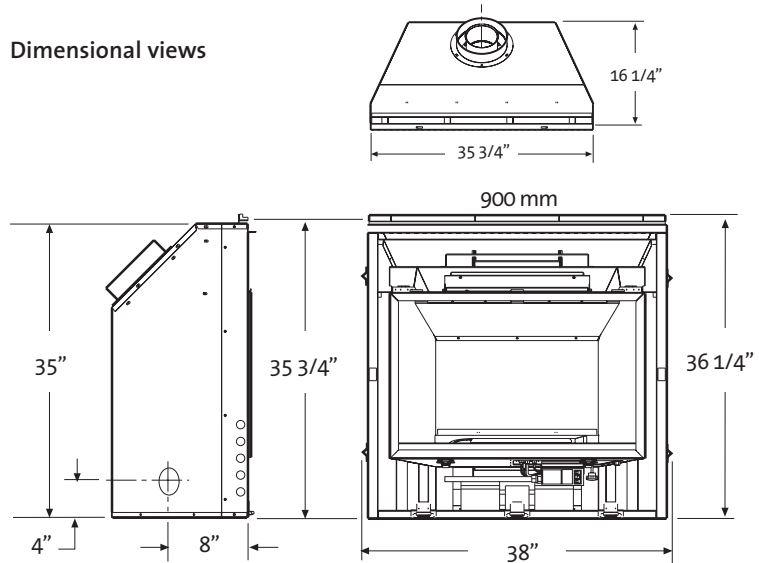
** Add 2" for GI 550 DV cast iron surround with plinth

Jøtul GZ 550 DV II Acadia

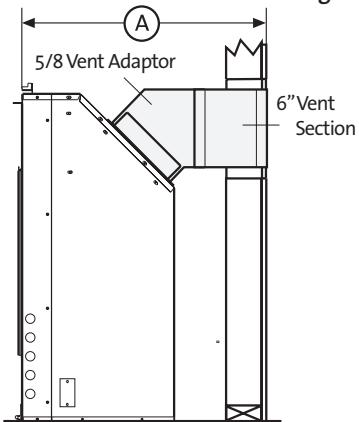
Clearances



Dimensional views



Minimum Horizontal Vent Length



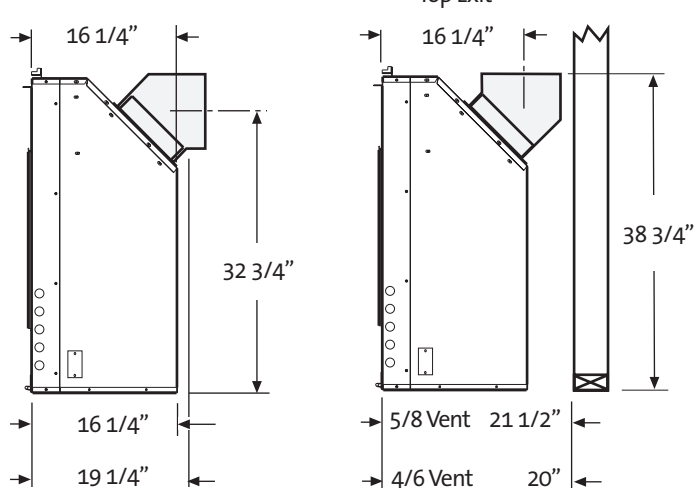
Security Vent:

A=25 1/4" (645 mm). Security Termination has no slip

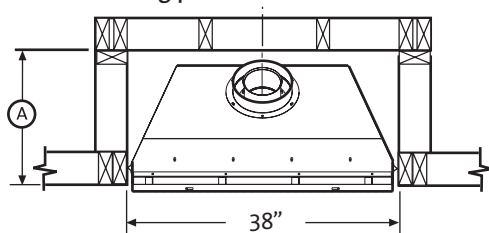
adjustability. Simpson DuraVent and Amerivent:

A=25 3/4" (660 mm)

Vent Adapter Center Lines



Parallel Framing plan



Horizontal vent: Minimum vent accommodates the length of Vent Adaptor and one 6" vent section through wall construction.

Vent adaptor: 5/8 - A= 31 3/4"

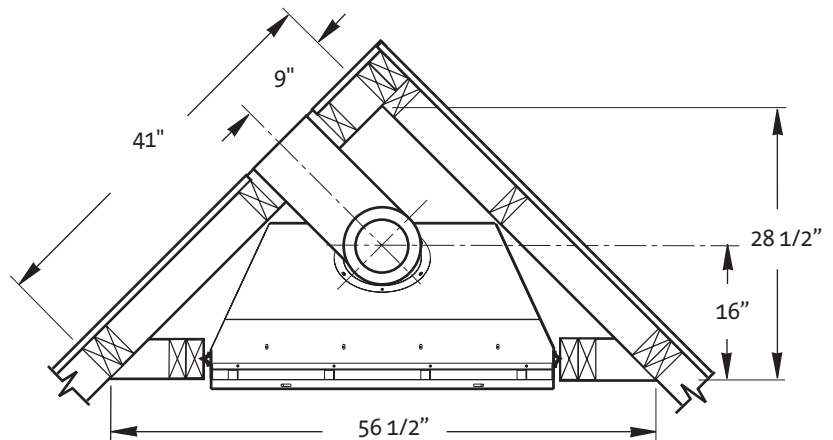
Vertical Vent: Minimum depth includes 1" clearance between Vent Adaptor and combustible wall construction.

Vent Adaptor: 5/8 4/6

A= 21 1/2 20"

Horizontal Framing Height = 36 1/2"

Corner Dimensions





Model	Jøtul GI 350 DV	Jøtul GI 450 DV Katahdin	Jøtul GI 550 DV	Jøtul GZ 550 DV II Acadia
Venting	Direct vent	Direct vent	Direct vent	Direct vent
Heating capacity ¹	Up to 1,300 sq.ft.	Up to 1,500 sq.ft.	Up to 1,700 sq.ft.	Up to 1,400 sq.ft.
Min/max heat input (BTU/hr)	16,500 - 28,000 (NG) 14,300 - 28,000 (LP)	26,000 - 33,000 (NG) 26,000 - 33,000 (LP)	21,900 - 38,000 (NG) 20,000 - 38,000 (LP)	14,000 - 28,000 (NG) 14,000 - 28,000 (LP)
Efficiency ²	Up to 87% (A.F.U.E 73%)	Up to 87% (A.F.U.E 73%)	Up to 87% (A.F.U.E 73%)	Up to 88% (A.F.U.E 76%)
Safety features	Sealed system	Sealed system	Sealed system	Sealed system
Opt. blower	Standard	Standard	Standard	Yes
Opt. wall thermostat	Yes	Yes	Yes	Yes
Opt. remote control	Yes	Yes	Yes	Yes
Weight	140 lbs	155 lbs.	178 lbs	275 lbs.
Venting	3 x 3	3 x 3	3 x 3	5 x 8 or 4 x 6
Surround dimensions	See page 22	See page 23	See page 24	See page 25
Minimum fireplace dimensions	31" W x 16" D x 20" H**	32 1/2" W x 15" D x 20" H	36" W x 17" D x 24" H**	n/a

¹ Heating Capacity will vary depending on the design of the home, climate, elevation, operation and venting configuration

² Maximum venting configuration

General Information

Warranty

Our 5 year warranty: a cast iron promise of quality. Jøtul guarantees the quality of its cast iron components against any defects in materials or workmanship for five years, subject to the exclusions and limitations noted on our warranty. For complete details, ask your Authorized Jøtul Dealer.

Installation

Specifications and dimensions published in this brochure are intended to be used as guidelines for comparison only. Always consult the owner's manual in planning any installation. Specifications and dimensions are subject to change without notice. Contact local building or fire officials regarding restrictions and installation inspection requirements in your area.

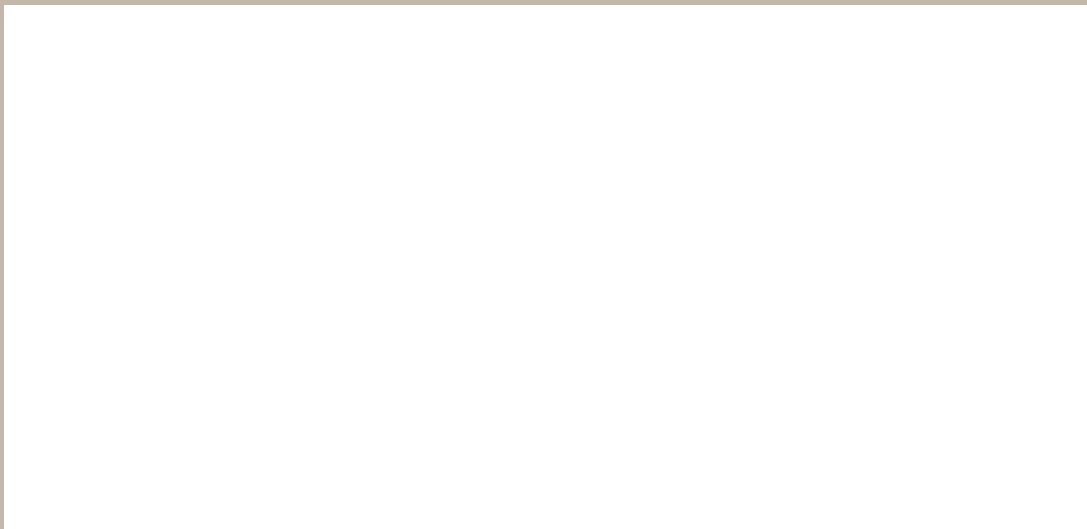
Photographs

Some settings for the photographs are for aesthetic purposes only and may not comply with installation requirements. Materials, specifications, accessories, colors, and models are subject to change without notice. Some models are shown with optional accessories.

BTU ratings are to be used as a guideline only, and do not imply a guarantee of the heating capacity of the unit.



Ask your authorized Jøtul Dealer about our full line of cast iron wood and gas stoves, inserts and fireplaces.



Jøtul North America
55 Hutcherson Drive
Gorham, Maine 04038

www.jotul.us



**Gas Inserts
and Fireplaces**

Printed in U.S.A.
September 2007



Free Manuals Download Website

<http://myh66.com>

<http://usermanuals.us>

<http://www.somanuals.com>

<http://www.4manuals.cc>

<http://www.manual-lib.com>

<http://www.404manual.com>

<http://www.luxmanual.com>

<http://aubethermostatmanual.com>

Golf course search by state

<http://golfingnear.com>

Email search by domain

<http://emailbydomain.com>

Auto manuals search

<http://auto.somanuals.com>

TV manuals search

<http://tv.somanuals.com>