

Kodak Digital Camera Battery Charger Models K8500 and K8600

User Guide

Thank you for purchasing the KODAK Digital Camera Battery Charger. The battery needs to be charged before using and takes approximately 3 hours or less. The battery can be charged and discharged approximately 300 times. Additional KODAK Li-Ion Batteries are available from dealers of Kodak products, or visit www.kodak.com/go/batteries.

Easy Steps to Charging

1. Model K8500 is for charging the KODAK Li-Ion Rechargeable Digital Camera Battery KLIC-8000 only. Model K8600 is for charging the KODAK Li-Ion Rechargeable Digital Camera Battery KLIC-7001 only. Do not load other types into the charger.
2. Insert the battery into the charger with the +/- contacts facing the +/- contact points in the charger.
3. Insert the plug that matches your power type then plug the charger into a power outlet.
4. Verify that the red charge indicator light on the charger turns on. If the light does not turn on, verify that the battery is inserted correctly.
5. Remove the battery and unplug the charger when the red indicator light turns green. Charging takes approximately 3 hours or less.

IMPORTANT SAFETY INSTRUCTIONS— Save These Instructions

- DANGER—TO REDUCE THE RISK OF FIRE OR ELECTRIC SHOCK, CAREFULLY FOLLOW THESE INSTRUCTIONS.
- For connection to a supply not in the U.S.A., use an attachment plug adapter of the proper configuration for the power outlet. This battery charger is intended to be correctly oriented in a vertical or floor mount position.

CAUTION:

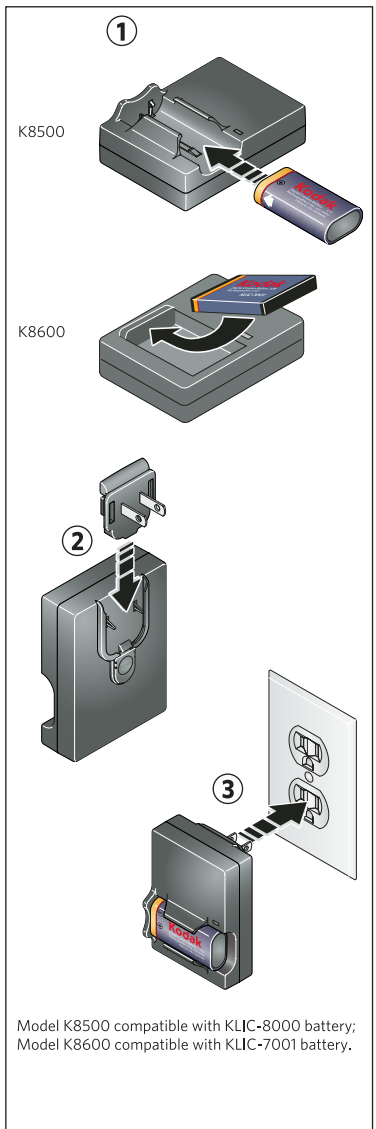
- Charge only compatible Li-Ion rechargeable batteries. Other types of batteries may burst causing personal injury and damage.
- Risk of electric shock. Use only in dry locations.
- Do not operate charger if it has been damaged.
- To reduce the risk of electric shock, unplug charger from outlet before attempting any maintenance or cleaning.
- Be sure to use charger with correct voltage: AC 100-240V.
- Do not insert any objects (such as a screwdriver or metal wires) into the charger.
- Do not modify or disassemble.
- If something appears wrong with the charger and/or batteries, disconnect from the electric outlet immediately.
- Keep out of reach of infants. Children may use only under strict parental supervision.
- Store in a dry, cool place.

Recommended temperature ranges for use:

	Li-Ion
To use (discharge) the batteries	32°-122° F (0°-50° C)
To charge the batteries	32°-95° F (0°-35° C)
To store the batteries	-4°-86° F (-20°-30° C)

Waste Electrical and Electronic Equipment Labeling

In Europe: For human/environmental protection, it is your responsibility to dispose of this equipment at a collection facility established for this purpose (separate from municipal waste). For more information, contact your retailer, collection facility, or appropriate local authorities; or visit www.kodak.com/go/recycle. (Product weight: 85 g.)



Model K8500 compatible with KLIC-8000 battery;
Model K8600 compatible with KLIC-7001 battery.

Free Manuals Download Website

<http://myh66.com>

<http://usermanuals.us>

<http://www.somanuals.com>

<http://www.4manuals.cc>

<http://www.manual-lib.com>

<http://www.404manual.com>

<http://www.luxmanual.com>

<http://aubethermostatmanual.com>

Golf course search by state

<http://golfingnear.com>

Email search by domain

<http://emailbydomain.com>

Auto manuals search

<http://auto.somanuals.com>

TV manuals search

<http://tv.somanuals.com>