

TOTAL SOLUTIONS™



## TOTAL SPEAKER SOLUTIONS

TSS-CENTER1100  
Owner's Guide



## INTRODUCTION

### Infinity Total Solutions™

Infinity Total Solutions TSS-CENTER1100 center channel loudspeaker is designed to perfectly complement Total Solutions speakers. It provides exceptional dialogue reproduction and a seamless transition between the front channels. The horizontal design allows for maximum placement flexibility.

### About This Guide

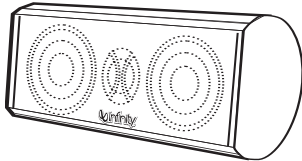
Please read this guide completely before connecting and operating the TSS-CENTER1100 center channel speaker. Maximum performance is dependent upon following these instructions, as well as those in the owner's manuals of associated components in your home theater system. Save these instructions for future reference.

### Unpacking the Speaker

Finish unpacking the speaker and check the contents. If you suspect damage from transit, report it immediately to your dealer. Keep the shipping carton and packing materials for future use.

### Contents

Please verify that the package contains the following items:



(1) TSS-CENTER1100 center channel speaker



(1) Speaker base

## PLANNING YOUR SYSTEM

Before deciding where to best place your speakers, survey your room and study Figures 1 and 2.

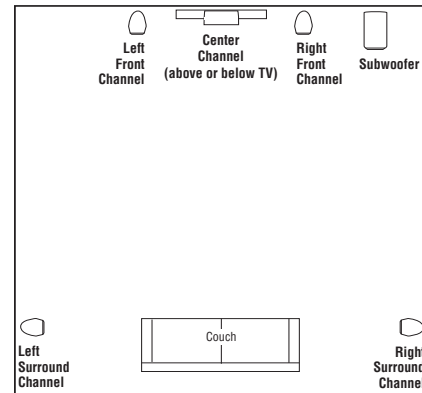


Figure 1. In this overhead view of a typical installation, satellite speakers are used to reproduce sound for the front and surround channels. The center channel reproduces sound and dialogue. The powered subwoofer provides bass for effects and music.

### Placement

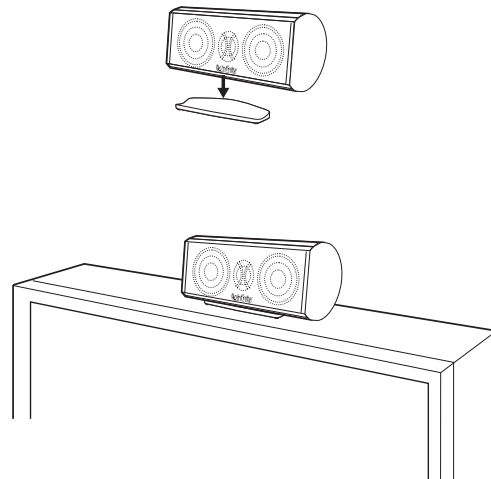


Figure 2. This example shows the TSS-CENTER1100 being placed on top of a television. The speaker can also be placed below the television and tilted up (see Figure 3).

## Tilting the Speaker

If needed, the enclosed stand allows you to tilt the speaker across a wide range (i.e., up a maximum of 18° or down a maximum of 7°), as shown in Figure 3.

### Important!

Do not exceed the tilt range. Doing so may cause the speaker to fall out of its stand.

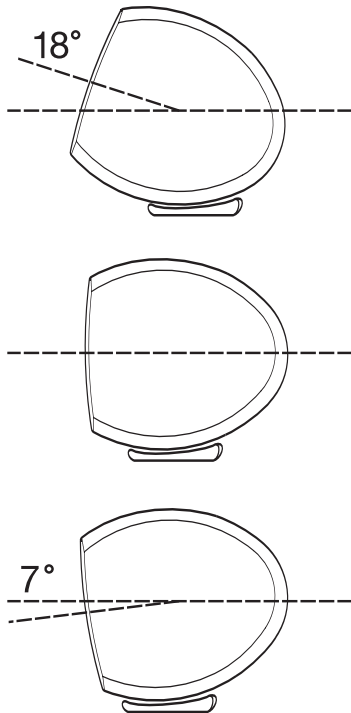


Figure 3.

## WIRING THE SPEAKER

After placing the speaker, you are ready to connect it to your system. First, turn off all audio system power. Use high-quality speaker wire to make the connections. Consult the owner's manuals included with your amplifier or receiver for connection and operation procedures.

### Surround Modes

When using the TSS-CENTER1100 in a Dolby\* Digital or DTS® home theater system, make sure the amplifier or receiver center channel speaker modes are set to "Small."

### Wiring and Polarity

The TSS-CENTER1100 speaker has gold-plated terminals that can accept bare wire. To ensure proper polarity, connect each + terminal on the back of the amplifier or receiver to the respective + (red) terminal on each speaker, as shown in Figure 4. Connect the - (black) terminals in a similar way. See the owner's manuals that were included with your amplifier or receiver to confirm connection procedures.

### Important!

Do not reverse polarities (i.e., + to - or - to +) when making connections. Doing so will degrade the imaging and bass response of the home theater system.

After correctly placing and wiring the TSS-CENTER1100 and the rest of your speaker system, adjust the levels for all of the channels as recommended by the manufacturer of your amplifier or receiver.

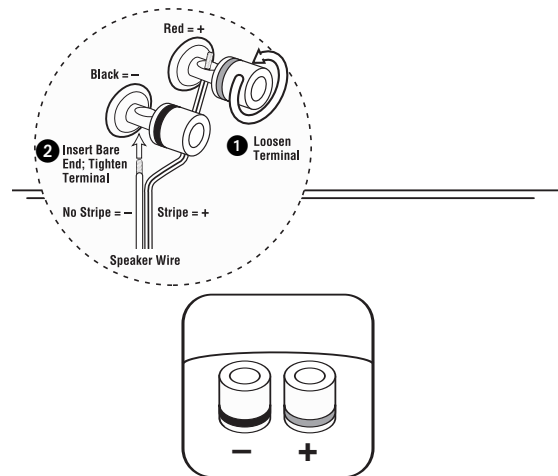


Figure 4. This example shows how to connect bare wires to the terminals. Banana plugs may also be inserted directly into the rear of the connector.

- 1 Loosen the terminals.
- 2 Insert bare ends; tighten terminals.

## CARE OF YOUR SPEAKER SYSTEM

When needed, use a soft cloth to remove any fingerprints or to wipe off dust. Do not use any cleaning products or polish. Clean the grille by gently vacuuming.

## SPECIFICATIONS

### TSS-CENTER1100

Frequency Response	120Hz – 20kHz ( $\pm 3$ dB)
Nominal Impedance	8 ohms
Sensitivity (2.83V @ 1m)	89dB
Recommended Amplifier Power Range	10 – 125 watts
Crossover Frequencies	3,500Hz; 24dB/octave
Low-Frequency Drivers	(2) 3-1/2" (89mm) MMD <sup>®</sup> , magnetically shielded
High-Frequency Driver	3/4" (19mm) MMD, elliptical waveguide, magnetically shielded
Dimensions (H x W x D)	4-1/8" x 9-1/4" x 4-3/8" (105mm x 235mm x 111mm)
Weight	4.5 lb (2.0kg)

Infinity continually strives to update and improve existing products, as well as create new ones. The specifications and construction details in this and related Infinity publications are therefore subject to change without notice.



TECHNOLOGY • PERFORMANCE • DESIGN

© 2005 Harman International Industries, Incorporated. All rights reserved.  
Infinity Systems, 250 Crossways Park Drive, Woodbury, NY 11797 USA  
516.674.4INF (USA only) [www.infinitysystems.com](http://www.infinitysystems.com)

\*Trademark of Dolby Laboratories. DTS is a registered trademark of Digital Theater Systems, Inc.

Infinity and MMD are registered trademarks, and Total Solutions is a trademark, of Harman International Industries, Incorporated.

Part No. 400-OMCNTR 5/05

A Harman International Company

#### Declaration of Conformity



We, Harman Consumer Group International  
2, route de Tours  
72500 Chateau-du-Loir  
France

declare in own responsibility that the product described in this owner's manual is in compliance with technical standards:

EN 61000-6-3:2001  
EN 61000-6-1:2001

Laurent Rault  
Harman Consumer Group International  
Chateau-du-Loir, France 5/05

## Free Manuals Download Website

<http://myh66.com>

<http://usermanuals.us>

<http://www.somanuals.com>

<http://www.4manuals.cc>

<http://www.manual-lib.com>

<http://www.404manual.com>

<http://www.luxmanual.com>

<http://aubethermostatmanual.com>

Golf course search by state

<http://golfingnear.com>

Email search by domain

<http://emailbydomain.com>

Auto manuals search

<http://auto.somanuals.com>

TV manuals search

<http://tv.somanuals.com>