

TOTAL SOLUTIONS™

TSS-4000



TOTAL SPEAKER SOLUTIONS

TSS-CENTER4000

Owner's Guide



INTRODUCTION

Infinity Total Solutions™

Infinity Total Solutions TSS-CENTER4000 center channel loudspeaker is designed to perfectly complement the TSS-SAT4000 speakers. It uses identical drivers to provide exceptional dialogue reproduction and a seamless transition between the front channels. The horizontal design allows for maximum placement flexibility.

About This Guide

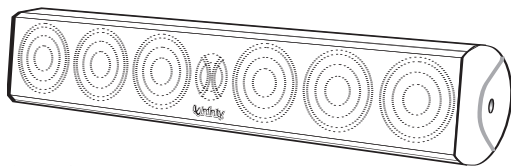
Please read this guide completely before connecting and operating the TSS-CENTER4000 center channel speaker. Maximum performance is dependent upon following these instructions, as well as those in the owner's manuals of associated components in your home theater system. Save these instructions for future reference.

Unpacking the Speaker

Finish unpacking the speaker and check the contents. If you suspect damage from transit, report it immediately to your dealer. Keep the shipping carton and packing materials for future use.

Contents

Please verify that the package contains the following items:



(1) TSS-CENTER4000 center channel speaker



(2) Wall-mount end caps
(attached to satellite)



(1) Speaker base



(1) Allen
wrench



(1) Wall bracket with wall bracket cover

PLANNING YOUR SYSTEM

Before deciding where to best place your speakers, survey your room and study Figures 1 and 2.

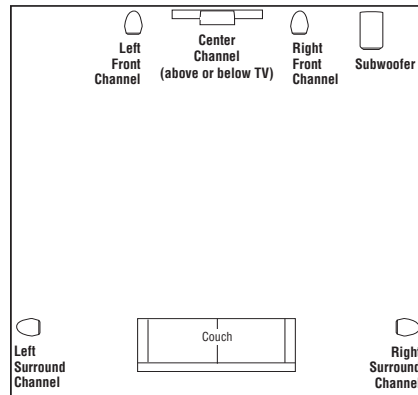


Figure 1. In this overhead view of a typical installation, satellite speakers are used to reproduce sound for the front and surround channels. The center channel reproduces sound and dialogue. The powered subwoofer provides bass for effects and music.

Placement

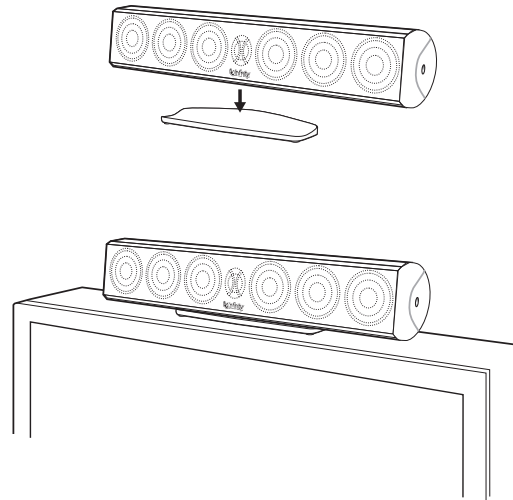


Figure 2. This example shows the TSS-CENTER4000 being placed on top of a television. The speaker can also be placed below the television and tilted up (see Figure 3).

Tilting the Speaker

If needed, the enclosed stand allows you to tilt the speaker across a wide range (i.e., up a maximum of 18° or down a maximum of 7°), as shown in Figure 3.

Important!

Do not exceed the tilt range. Doing so may cause the speaker to fall out of its stand.

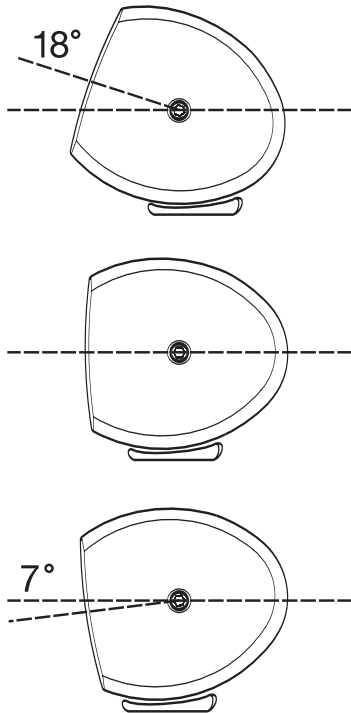


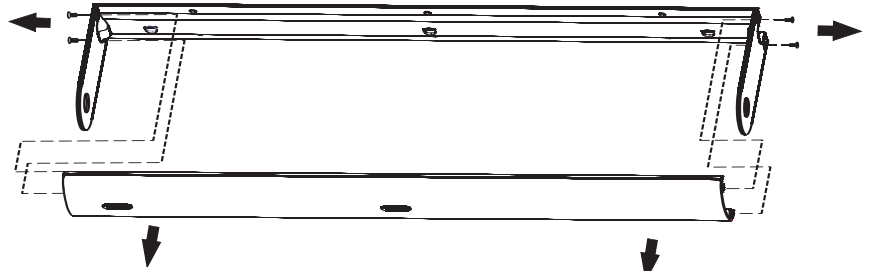
Figure 3.

Wall-Mounting the TSS-CENTER4000 Using the Included Wall Bracket

The customer is responsible for proper selection and use of mounting hardware, and for correctly and safely wall-mounting the speakers.

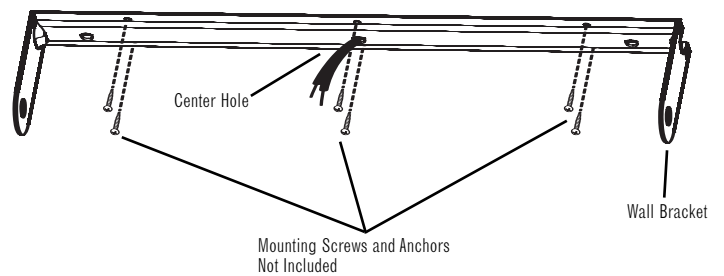
Step One

Remove the wall bracket cover by removing the four wall bracket screws on the ends as shown.



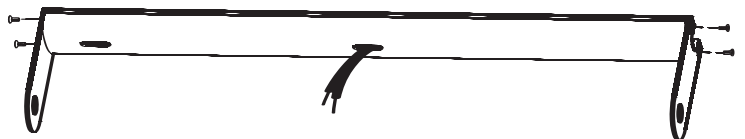
Step Two

Run the speaker wire behind the wall bracket and out the hole in the center. After deciding where to place the center speaker, attach the wall bracket (in a horizontal position) to the wall using the appropriate screws and anchors.



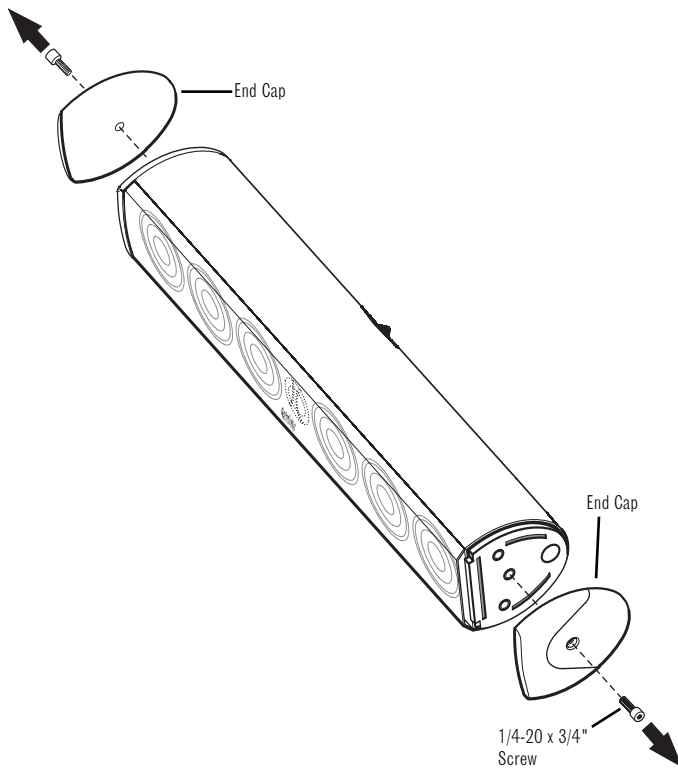
Step Three

Run the speaker wires out through the hole in the center of the wall bracket cover. Resecure in place with the four wall bracket screws, as shown.



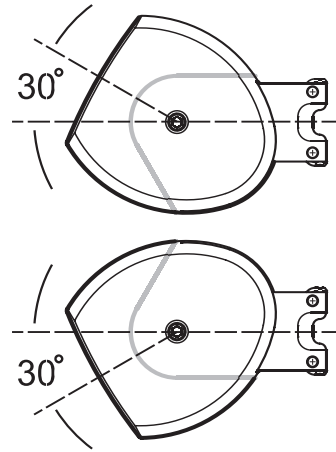
Step Four

Using the included Allen wrench, remove the top and bottom end caps of the speaker by unscrewing the single center screw on bottom.



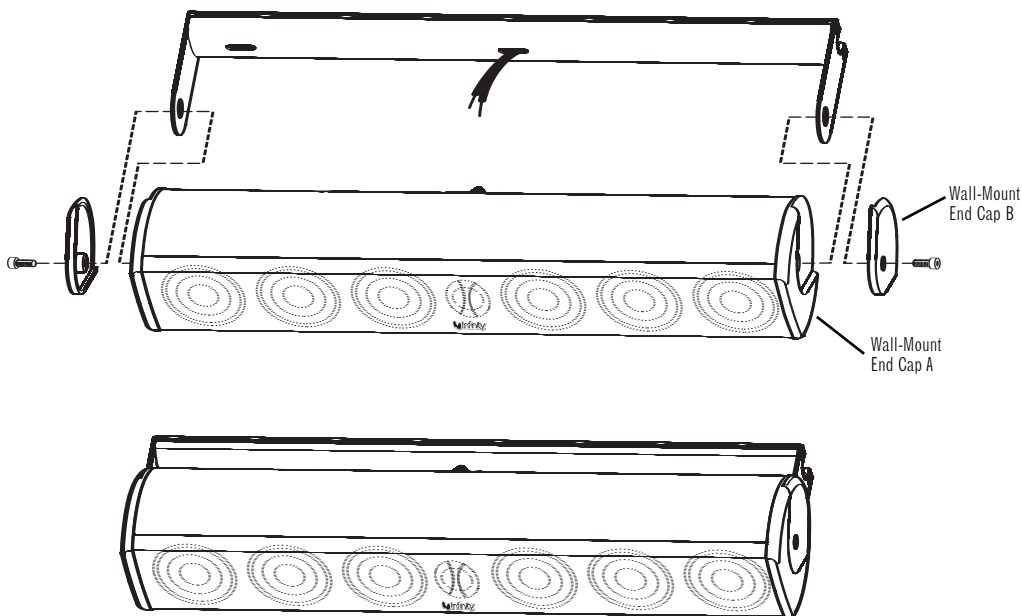
Step Six

The wall-bracket design allows for rotation of the speakers at angles up to 30 degrees of center. Position the speakers so they face toward the primary listening position, before fully tightening.



Step Five

Connect the wires (page 5). Replace the end caps while capturing the wall bracket between parts A and B of the end cap, securing it in place.



WIRING THE SPEAKER

After placing the speaker, you are ready to connect it to your system. First, turn off all audio system power. Use high-quality speaker wire to make the connections. Consult the owner's manuals included with your amplifier or receiver for connection and operation procedures.

Surround Modes

When using the TSS-CENTER4000 in a Dolby® Digital or DTS® home theater system, make sure the receiver's/processor's center channel speaker modes are set to "Small."

Wiring and Polarity

The TSS-CENTER4000 speaker has gold-plated terminals that can accept bare wire. To ensure proper polarity, connect each + terminal on the back of the amplifier or receiver to the respective + (red) terminal on each speaker, as shown in Figure 4. Connect the – (black) terminals in a similar way. See the owner's manuals that were included with your amplifier or receiver to confirm connection procedures.

Important!

Do not reverse polarities (i.e., + to – or – to +) when making connections. Doing so will degrade the imaging and bass response of the home theater system.

After correctly placing and wiring the TSS-CENTER4000 and the rest of your speaker system, adjust the levels for all of the channels as recommended by the manufacturer of your receiver/processor.

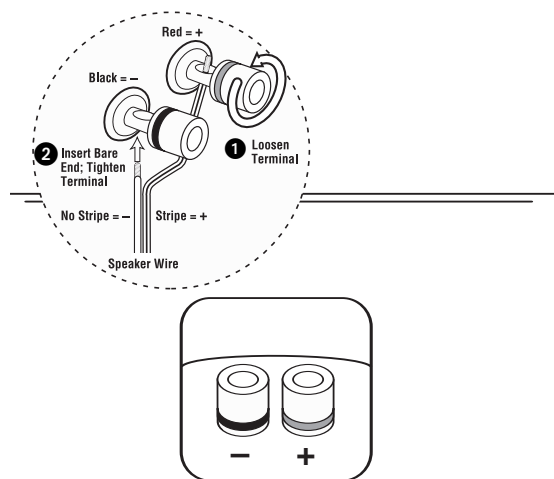


Figure 4. This example shows how to connect bare wires to the terminals. Banana plugs may also be inserted directly into the rear of the connector.

- 1 Loosen the terminals.
- 2 Insert bare ends; tighten terminals.

CARE OF YOUR SPEAKER SYSTEM

When needed, use a soft cloth to remove any fingerprints or to wipe off dust. Do not use any cleaning products or polish. Clean the grille by gentle vacuuming.

SPECIFICATIONS

TSS-CENTER4000

Frequency Response	120 – 20kHz (± 3 dB)
Nominal Impedance	8 ohms
Sensitivity (2.83V @ 1m)	89dB
Recommended Amplifier Power Range	10 – 150 watts
Crossover Frequencies	1,000Hz, 3,800Hz; 24dB/octave
Low Frequency Drivers	(4) 3-1/2" (89mm) MMD [®] , magnetically shielded
Mid Frequency Drivers	(2) 3-1/2" (89mm) MMD, magnetically shielded
High Frequency Driver	3/4" (19mm) MMD, elliptical waveguide, magnetically shielded
Dimensions (H x W x D)	4-1/8" x 23" x 4-3/8" (105mm x 584mm x 111mm)
Weight	12.7 lb (5.8kg)

Infinity continually strives to update and improve existing products, as well as create new ones. The specifications and construction details in this and related Infinity publications are therefore subject to change without notice.

Declaration of Conformity



We, Harman Consumer International
2, route de Tours
72500 Chateau-du-Loir
France

declare in own responsibility that the product
described in this owner's manual is in compliance
with technical standards:

EN 61000-6-3:2001
EN 61000-6-1:2001

A handwritten signature in black ink that reads 'Robin Marshall'.

Robin Marshall
Harman Consumer International
Chateau-du-Loir, France 10/04

NOTES



TECHNOLOGY • PERFORMANCE • DESIGN

© 2004 Harman International Industries, Incorporated

Infinity Systems, 250 Crossways Park Drive, Woodbury, NY 11797 USA 516.674.4INF (USA only) www.infinitysystems.com

*Trademarks of Dolby Laboratories. DTS is a registered trademark of Digital Theater Systems, Inc. Infinity and MMD are registered trademarks, and Total Solutions is a trademark, of Harman International Industries, Incorporated.

Part No. 400-OMCNR 10/04

 A Harman International Company

Free Manuals Download Website

<http://myh66.com>

<http://usermanuals.us>

<http://www.somanuals.com>

<http://www.4manuals.cc>

<http://www.manual-lib.com>

<http://www.404manual.com>

<http://www.luxmanual.com>

<http://aubethermostatmanual.com>

Golf course search by state

<http://golfingnear.com>

Email search by domain

<http://emailbydomain.com>

Auto manuals search

<http://auto.somanuals.com>

TV manuals search

<http://tv.somanuals.com>