

QPS 1

*Quadrapole Surround Speakers
Model QPS-1*

Owner's Manual

Part # 333-844-001



QUADRAPOLE DESIGN...

FLEXIBLE PLACEMENT...

ABOUT THIS MANUAL...

PARTS LIST...

TOOLS AND SUPPLIES...

INTRODUCTION

Infinity QPS-1 speakers are a pair of mirror-imaged, surround-sound speakers with an advanced quadrapole design that creates a non-specific sound source over a wider-than-usual listening area. This unique surround speaker design provides greater flexibility in speaker placement without sacrificing performance.

The QPS-1's elegant, thin-profile enclosure (in a black or white finish) is made to complement your home furnishings and its integrated display stand provides easy placement on a convenient shelf or table. Or, if you prefer, you can mount the QPS-1 speakers on side or back walls by using the built-in, direct-mount keyhole.

Please read the remaining pages before connecting and operating the Infinity QPS-1 speakers. Maximum performance is dependent on following these instructions, as well as those listed in the owner's manuals of associated components in your home theater system. Save these instructions for future reference. These speakers are covered by a limited five-year warranty, so save the bill of sale to protect your purchase and aid in any service-related questions.

UNPACKING THE SPEAKERS

Finish unpacking the speakers and check the contents. If you suspect damage from transit, report it immediately to your dealer and/or delivery service. Keep the shipping cartons and packing materials for future use.

Please verify that the package contains the following items:

- ◆ (1) Quadrapole Left-Surround Speaker
- ◆ (1) Quadrapole Right-Surround Speaker
- ◆ Owner's Manual and Warranty Card

Depending on your choice of installation, you may also need the following tools and supplies:

- ◆ High-quality speaker wire
- ◆ Wire strippers
- ◆ (4) Banana plugs or spade terminals (optional)
- ◆ (2) #8 x 1½" Phillips-head wood screws (for wall-mounting of speakers – optional)
- ◆ Drill with ⅛" bit (optional)
- ◆ Phillips screwdriver (optional)

PLANNING YOUR SYSTEM

To help plan your home theater system, we've included two system applications, as shown in Figures 1 and 2. The first one represents a typical living room where the home theater system is the main focus. In the second application, the furniture is arranged for fireplace viewing and the entertainment center is in a corner.

SURROUND PLACEMENT CONCERNS...

STAND-UP OR WALL-MOUNT...

Figure 1. This overhead view shows a typical home theater plan. The QPS-1 speakers can be placed on stands in the noted areas or wall-mounted on side or back walls.

Since QPS-1 surround speakers are a quadropole design, exact placement is not critical. For best results, position the speakers so they are level with or behind the listeners (typically seated on a couch). Place them at or above ear level (28" or 0.7m, depending on the available shelf or wall space). Make sure the speaker marked left (on its rear label) is on the left side (as you face forward), and the speaker marked right is on the right side (see Figure 1).

Set each speaker on any convenient shelf or table via a built-in display stand (see Figure 3 on page 4). Or use the built-in keyhole (see Figure 3 on page 4) for a more permanent mounting method.

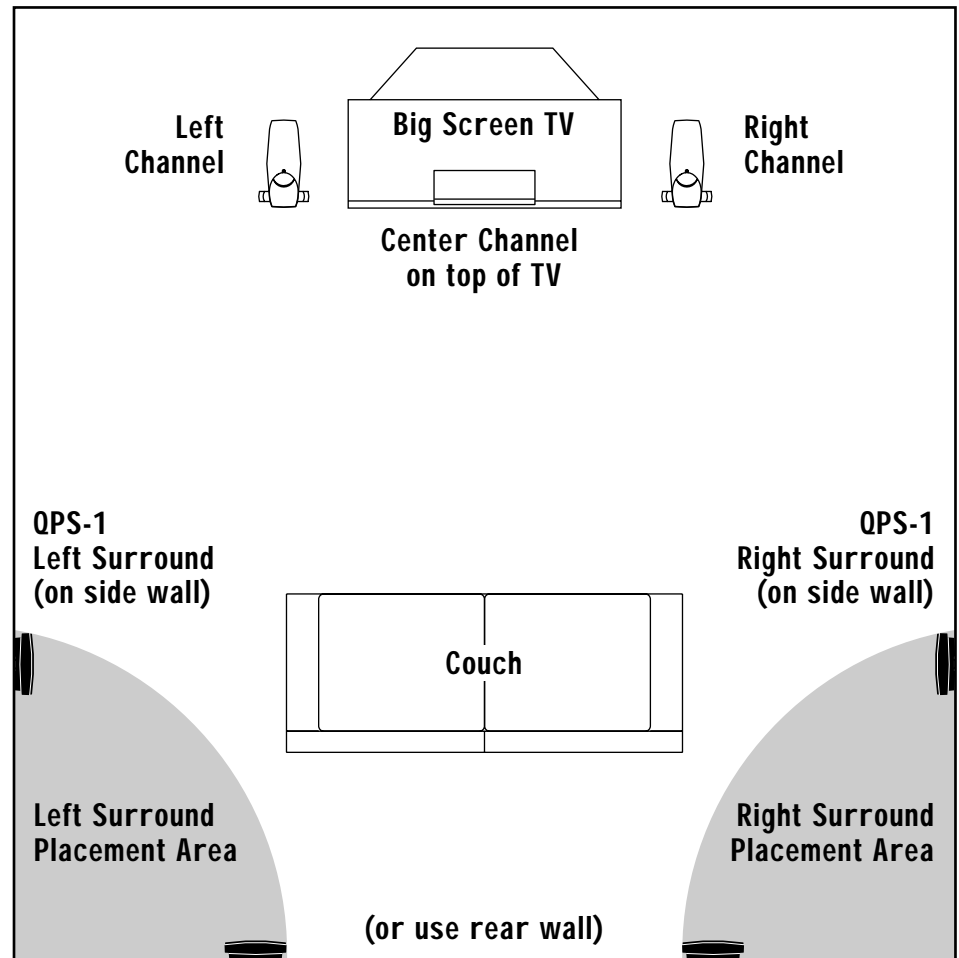
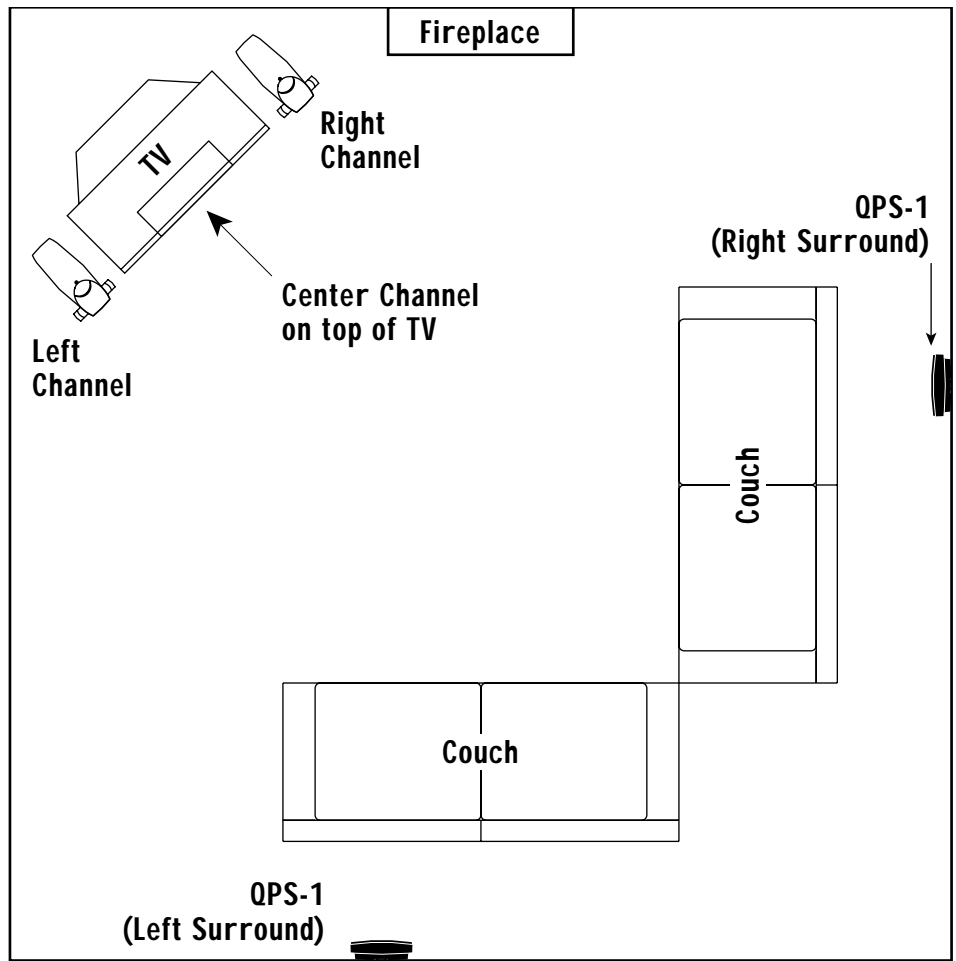


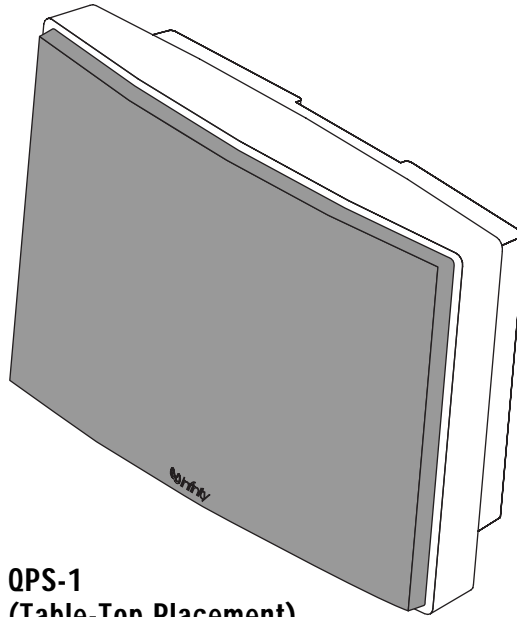
Figure 2. This layout is often preferred when a fireplace is the centerpiece of the room.



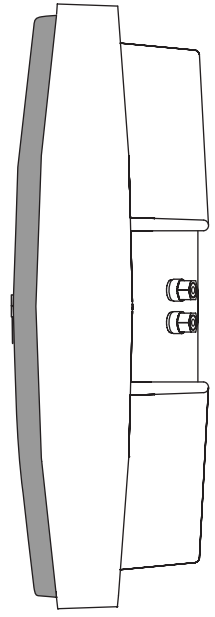
PLACEMENT AND MOUNTING

TABLE-TOP PLACEMENT...

The Infinity QPS-1 surround speakers are equipped with integral display stands for easy placement on a shelf or table.



QPS-1
(Table-Top Placement)



Bottom View

WALL-MOUNT OPTIONS...

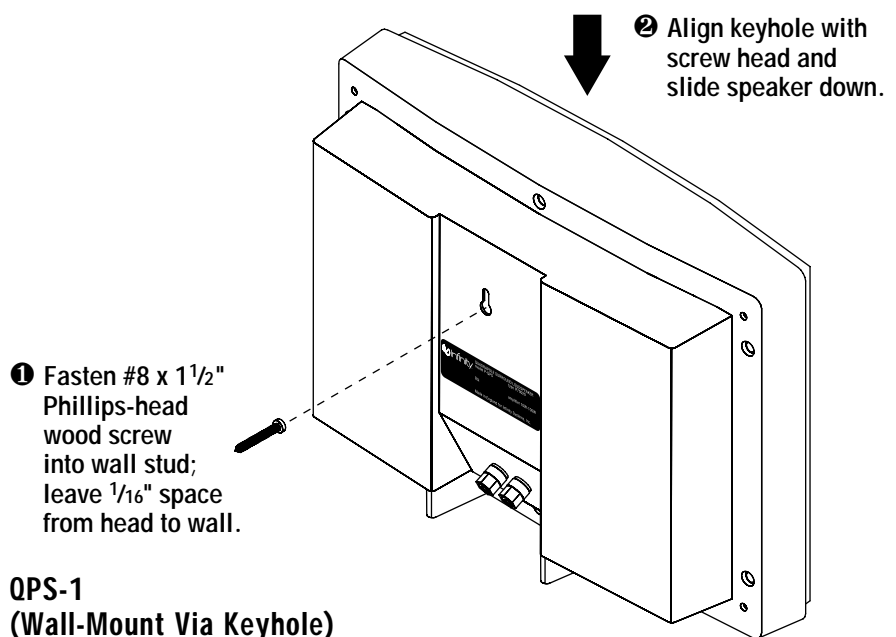
IMPORTANT!

Figure 3. Use the built-in keyhole to mount QPS-1 surround speakers on walls.

NOTE: Be sure to fasten each #8 x 1 1/2" Phillips-head wood screw into a wall stud before hanging the speaker.

For wall-mounting, you can use the speaker's keyhole (see Figure 3).

If you are unsure of how to safely and securely wall-mount a speaker, please ask a home theater or hardware specialist for additional help.



WIRING AND POLARITY...

IMPORTANT!

WIRING THE SYSTEM

After placing the speakers, you are ready to connect your system. First turn off all audio system power. Use high-quality speaker wire to make the connections. Consult the owner's manuals (included with your amplifier, receiver or television) for connection and operation procedures.

QPS-1 speakers have gold-plated terminals that accept a variety of wire connectors (see Figure 4 below). Observe correct polarities when making speaker connections, as shown in Figure 5 (on page 6).

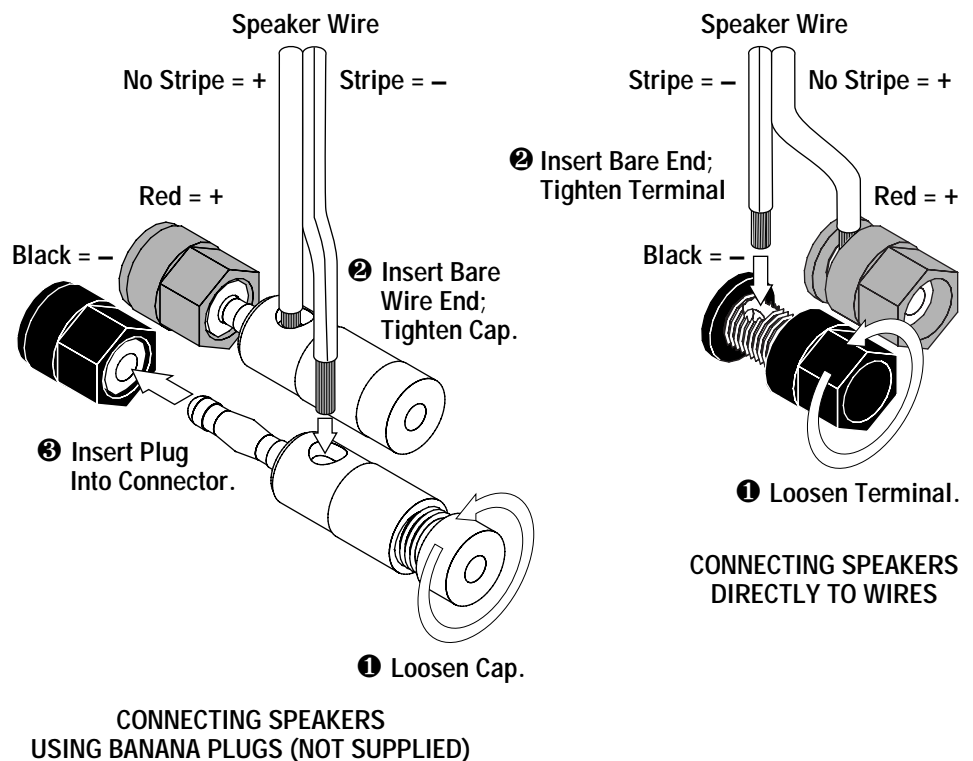
Connect each + terminal on the back of the amplifier, receiver or television to the respective + (red) terminal on each speaker. Connect the - (black) terminals in the same way.

Do not reverse polarities (e.g., + to - or - to +) when making connections.

TESTING THE SPEAKERS

After placing and wiring the speakers, turn on audio system power. Follow the instructions (packed with your A/V preamplifier or receiver) to calibrate the Dolby® Pro Logic® or Dolby Digital channels. Most components include a built-in test tone to help you balance the sound levels to all speakers in your system. During calibration, verify that each QPS-1 reproduces the test tone. If not, check the wiring connections and see the *Troubleshooting* chart (on page 7) for help.

Figure 4. QPS-1 surround speakers feature gold-plated terminals that can be connected in several different ways; e.g., banana plugs, spade terminals (not shown) and direct wiring.



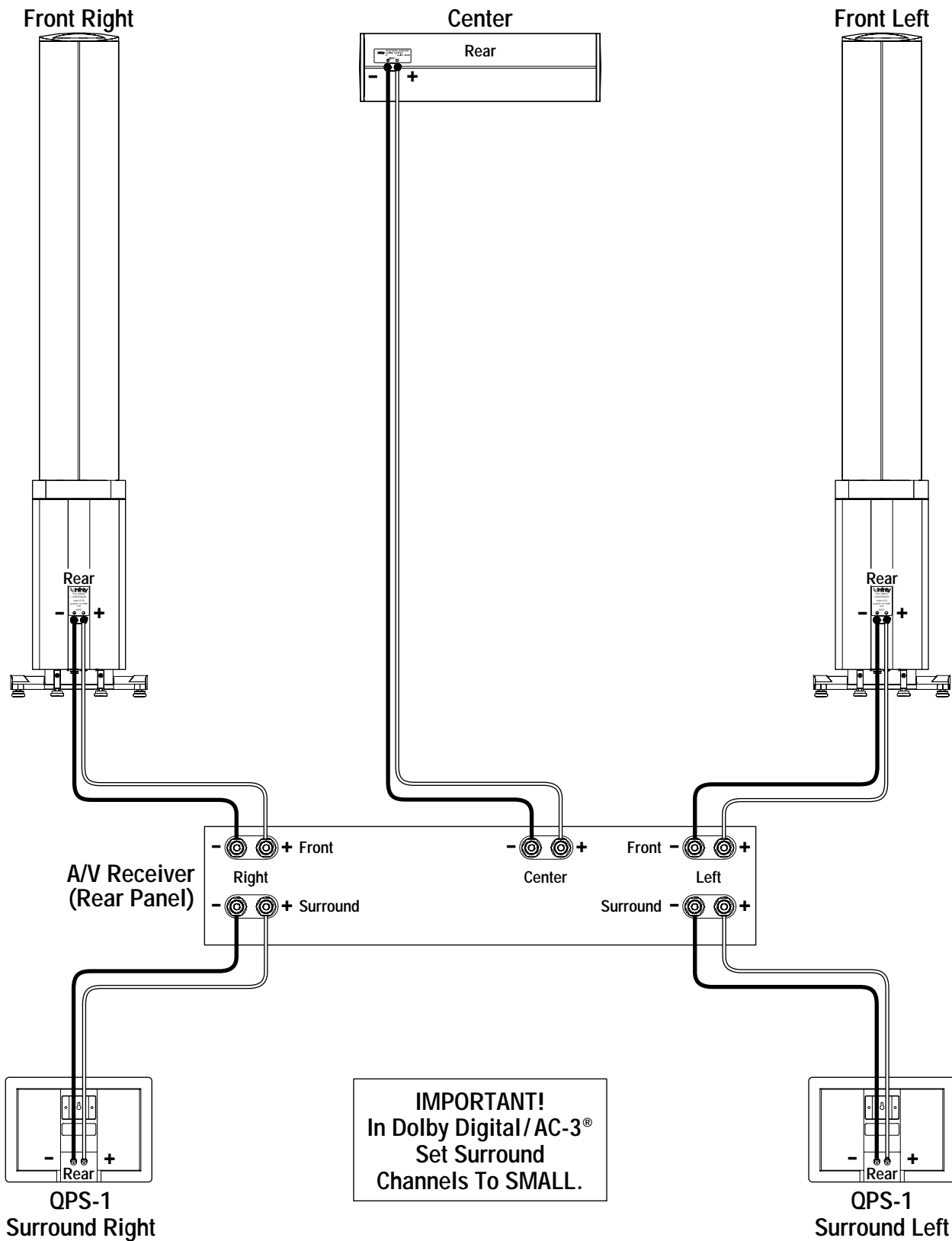


Figure 5. Wiring diagram shows connections for a typical home theater system.

CARE OF YOUR SPEAKER SYSTEM

The QPS-1 cabinet does not require any routine maintenance. When cleaning is needed, first make sure power is off, and then use a soft cloth, pre-dampened with a solution of mild detergent and water, to remove any fingerprints or to wipe off dust. DO NOT USE ANY OTHER CLEANING PRODUCTS OR POLISHES.

The metal grille can be cleaned with gentle vacuuming.

TROUBLESHOOTING

SYMPTOM	CAUSE	SOLUTION
No sound	Power is off	See A/V preamplifier or receiver owner's manual for operation and further help
	Speakers not connected	Connect speakers (see pages 5 and 6)
Distortion with volume control near minimum	Defective A/V preamplifier or receiver	Repair defective AV preamplifier or receiver
	Shorted speaker wires	Check or repair wiring (see pages 5 and 6)
Distortion on music peaks or sound effects (e.g., pops or rapping noise)	Dynamic soundtrack (e.g., explosions) causes speaker to "bottom out"	Turn down master volume control to lower overall range
	Tone controls are set too high	Set bass and treble flat; use controls sparingly
Buzz, hum or crackle when connecting wires	Connecting wires with power on causes transient signal spikes	Connect wires only when audio system power is off
Buzz or hum when A/V preamplifier or receiver is on	Grounding problem	See A/V preamplifier or receiver owner's manual for operation and further help

SPECIFICATIONS

PERFORMANCE DATA

QPS-1

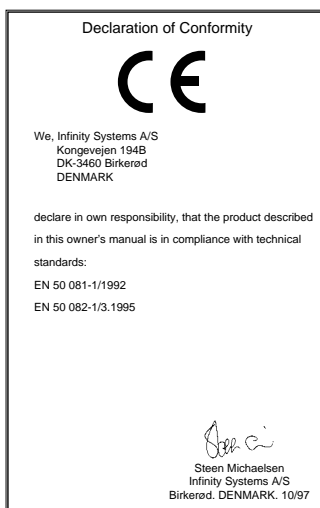
Frequency Range:	80 ~ 20,000Hz (-6dB@80Hz)
Sensitivity:	88dB spl (2.83 volts/1 meter spatially averaged)
Impedance:	8 Ω (5.5 min.)
Maximum Peak Output:	108dB (spl on program)
Amplifier Requirements:	Suitable for use with amplifiers 10 ~ 80W (@ 8 Ω)

DRIVE UNITS

Four 3 inch

DIMENSIONS

Width:	11 inches
Height:	8 1/2 inches
Depth:	4 1/2 inches
Weight:	7 pounds



Infinity is a registered trademark of Infinity Systems, Inc.
Dolby, Pro Logic and AC-3 are registered trademarks of Dolby Laboratories.

Free Manuals Download Website

<http://myh66.com>

<http://usermanuals.us>

<http://www.somanuals.com>

<http://www.4manuals.cc>

<http://www.manual-lib.com>

<http://www.404manual.com>

<http://www.luxmanual.com>

<http://aubethermostatmanual.com>

Golf course search by state

<http://golfingnear.com>

Email search by domain

<http://emailbydomain.com>

Auto manuals search

<http://auto.somanuals.com>

TV manuals search

<http://tv.somanuals.com>