



INTERLUDE™ SPEAKER SYSTEMS

Owner's Guide

- IL10
- IL30
- IL40

108IL10B

108IL10C

108IL30B

108IL30C

108IL40B

108IL40C



Infinity Interlude Series

The Interlude Series of loudspeakers continues Infinity's longstanding commitment to accurate sound reproduction. Our proprietary Ceramic Metal Matrix Diaphragm™ (C.M.M.D.) drivers, precision dividing networks and rigid, well-braced enclosures combine to deliver uncompromised performance in any stereo or multichannel home-theater system. In addition, the IL10, IL30 and IL40 are magnetically shielded for safe placement adjacent to a television.

UNPACKING THE SPEAKERS

If you suspect damage from transit, report it immediately to your dealer. Keep the shipping carton and packing materials for future use.

PLACEMENT

Stereo

Before deciding where to place your Interlude speakers, survey your room and think about placement, keeping the following points in mind:

- For best results, place the speakers 6'–8' apart.
- Position each speaker so that the tweeter is at approximately ear level.
- Generally, bass output will increase as the speaker is moved closer to a wall or corner.
- Refer to "Home Theater" below if you also plan to use the speakers for home-theater reproduction.

Home Theater

For front-channel use, place one speaker on the left and another on the right along either side of the television monitor. Since the speakers are magnetically shielded, you can place them without worrying about the field distorting the TV picture.

For rear-channel use, place speakers on bookshelves or stands alongside the listening position. Final placement depends on room acoustics, availability of space and your listening preference (Figure 2).

NOTE: An Infinity powered subwoofer will add impact and realism to both music and film soundtracks. Contact your local Infinity dealer for recommendations on subwoofer models for your application.

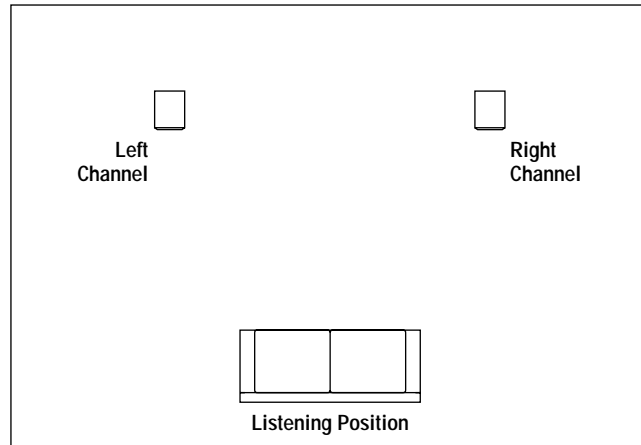


FIGURE 1 – Experiment with speaker placement to obtain the best bass level and stereo imaging in your room.

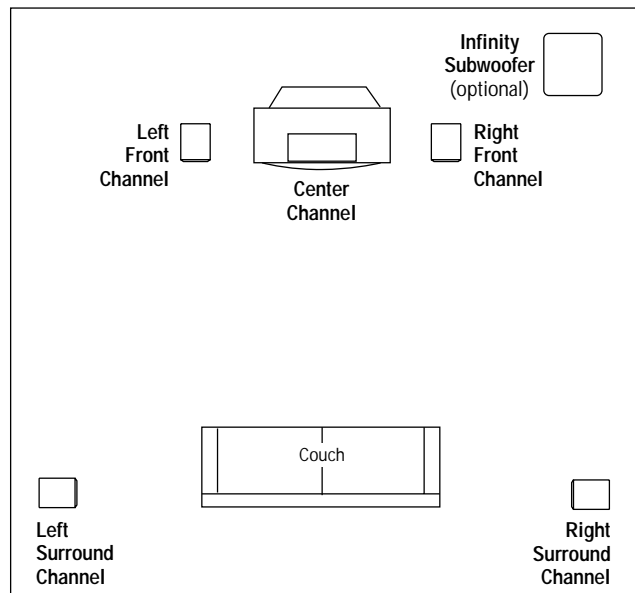


FIGURE 2 – This overhead view shows a typical home-theater plan.

INSTALLING FEET

IL30 and IL40

Refer to Figure 3 as you perform the following steps:

1. Open each accessory pack and locate the following items: four feet (with spike/round ends), four locking nuts, four nylon domes and one wrench.
2. Lay each speaker on its side and locate the four threaded holes on the bottom.
3. For carpets, screw the round end of a foot into each hole and hand-tighten a nut onto each one. Leave a minimum of 5/8" of exposed spike. (On thicker carpets, you can increase the length of exposed spike up to 1-1/8") For hard-surface floors, screw the spike end into each hole instead and leave 5/8" of round end exposed.
4. Carefully flip each speaker upright to sit on its feet.
5. If needed, adjust the feet so each speaker is level and then tighten each nut with the enclosed wrench. To protect hard surfaces (e.g., wood floors), slip a nylon dome onto each round end.

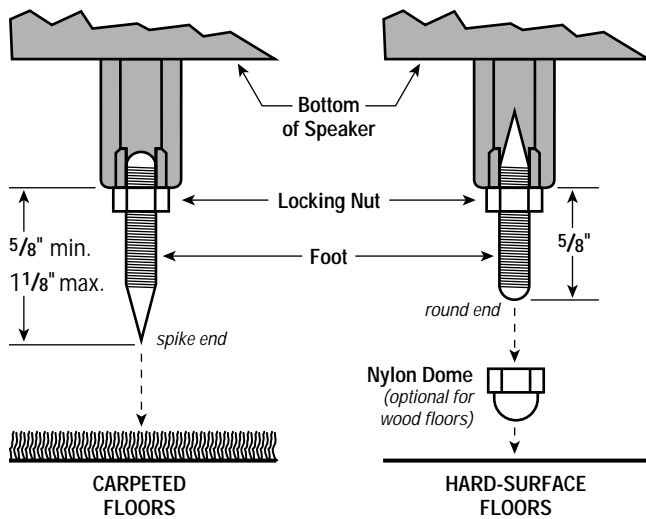


FIGURE 3 – This cross section shows how to install a foot onto the bottom of an IL30 or IL40 floorstanding speaker.

WIRING THE SYSTEM

IMPORTANT: Make sure all equipment is turned off before making any connections.

For speaker connections, use a minimum #16-gauge speaker wire with polarity coding. The side of the wire with a ridge or other coding is usually considered positive polarity (i.e., +).

NOTE: If desired, consult your local Infinity dealer about speaker wire and connection options.

The speakers have coded terminals that accept a variety of wire connectors. The most common connection is shown in Figure 4.

To ensure proper polarity, connect each + terminal on the back of the amplifier or receiver to the respective + (red) terminal on each speaker, as shown in Figure 5. Connect the - (black) terminals in a similar way. See the owner's guides that were included with your amplifier, receiver and television to confirm connection procedures.

IMPORTANT: Do not reverse polarities (i.e., + to - or - to +) when making connections. Doing so will cause poor imaging and diminished bass response.

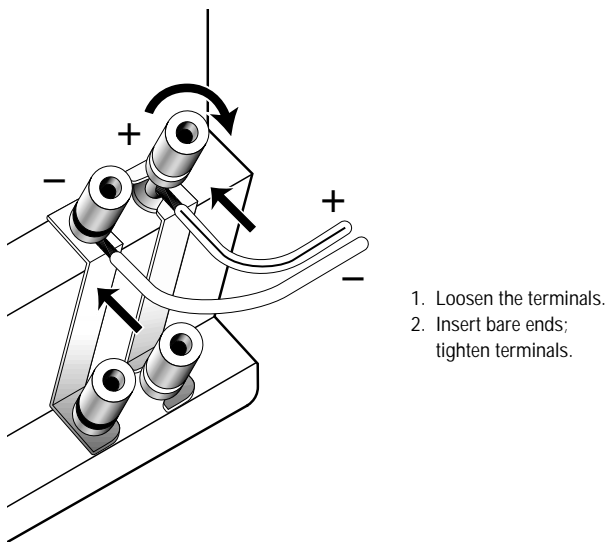


FIGURE 4 – This example shows how to connect bare wires to the terminals. Banana plugs may also be inserted directly into the rear of the connector.

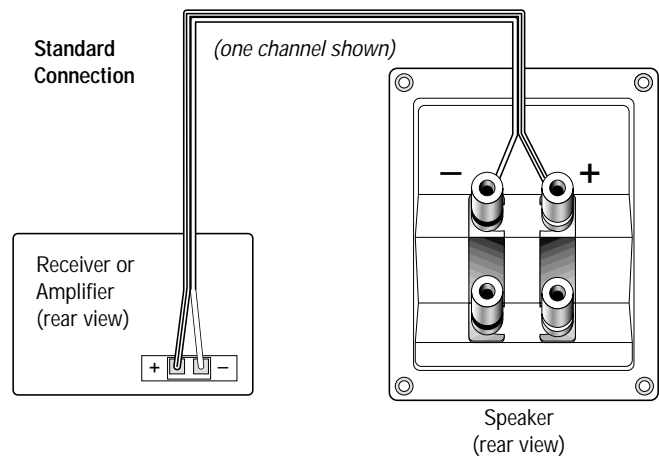
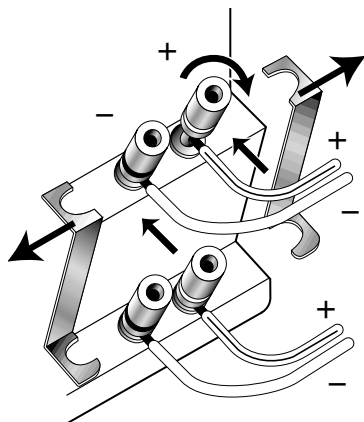


FIGURE 5 – Wiring diagram shows polarity connections for one channel of a stereo or home-theater system.

BI-WIRING

The Interlude Series outer connection panel and internal dividing network are designed so that separate sets of speaker cables can be attached to the low-frequency transducer and midrange/high-frequency transducer portions of this dividing network. This is called bi-wiring. Bi-wiring can provide several sonic advantages and considerably more flexibility in power amplifier selection.



1. Loosen the terminals and remove strapping bars.
2. Insert the speaker wire for the high frequencies into the top set of terminals and tighten.
3. Insert the speaker wire for the low frequencies into the bottom set of terminals and tighten.

FIGURE 6

Single-Stereo Amplifier

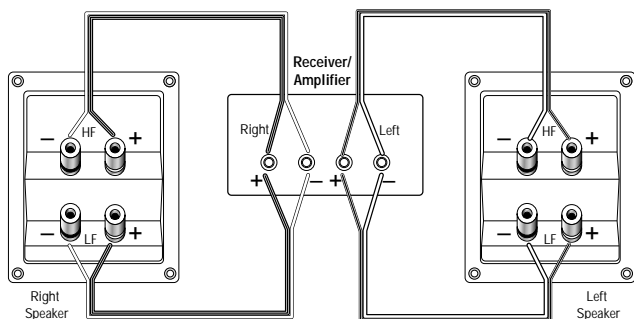


FIGURE 7

Dual-Stereo Amplifier

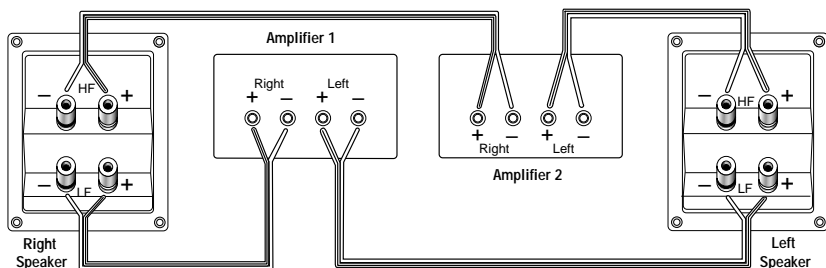


FIGURE 8

FINAL ADJUSTMENTS

Check the speakers for playback first by setting the system volume control to a minimum level, and then by applying power to your audio system. Play a favorite music or video segment and increase the system volume control to a comfortable level.

NOTE: You should hear balanced audio reproduction across the entire frequency spectrum. If not, check all wiring connections or consult the authorized Infinity dealer from whom you purchased the system for more help.

The amount of bass you hear and the stereo-image quality will be affected by a number of different factors, including the room's size and shape, the construction materials used to build the room, the listener's position relative to the speakers, and the position of the speakers in the room.

Listen to a variety of music selections and note the bass level. If there is too much bass, move the speakers away from nearby walls. Conversely, if you place the speakers closer to the walls, there will be more bass output.

Nearby reflecting surfaces can adversely affect stereo-imaging quality. If this happens, try angling the speakers slightly inward toward the listening position until the desired effect is achieved.

CARE OF YOUR SPEAKER SYSTEM

Each Interlude Series cabinet has a wood-vinyl finish that does not require any routine maintenance. When needed, use a soft cloth, dampened with water only, to remove any fingerprints or dust.

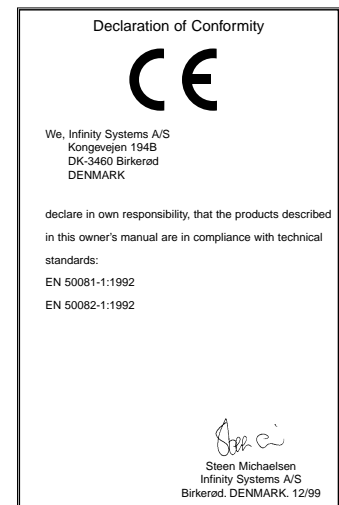
Clean the grille by gentle vacuuming.

NOTE: Do not use any cleaning products or polishes on the cabinet or grille.

SPECIFICATIONS

	IL10	IL30	IL40
Frequency Range:	56Hz – 22,000Hz (±3dB)	48Hz – 22,000Hz (±3dB)	38Hz – 22,000Hz (±3dB)
Recommended Amplifier Power Range:	15 – 150 watts	15 – 150 watts	15 – 175 watts
Sensitivity: (2.83V @ 1 meter)	88dB	88dB	89dB
Nominal Impedance:	8Ω	8Ω	8Ω
Crossover Frequency:	2800Hz; 24dB/octave	2800Hz; 24dB/octave	600Hz, 2500Hz; 24dB/octave
Low-Frequency Driver:	6-1/2" (165mm) C.M.M.D., magnetically shielded	6-1/2" (165mm) C.M.M.D., magnetically shielded	8" (203mm) C.M.M.D., magnetically shielded
Mid-Frequency Driver:	N/A	N/A	4" (102mm) C.M.M.D., magnetically shielded
High-Frequency Driver:	1" (25mm) C.M.M.D., magnetically shielded	1" (25mm) C.M.M.D., magnetically shielded	1" (25mm) C.M.M.D., magnetically shielded
Dimensions: (H x W x D)	15-5/8" x 8-1/2" x 11-1/2" (397mm x 216mm x 292mm)	36" x 8-1/2" x 8-3/4" (914mm x 216mm x 222mm)	40" x 10" x 11-1/2" (1016mm x 254mm x 292mm)
Weight:	18lb (8.2kg)	34lb (15.5kg)	41lb (18.6kg)

Infinity continually strives to update and improve existing products, as well as create new ones. The specifications and construction details in this and related Infinity publications are therefore subject to change without notice.





■ A Harman International Company © 1999 Infinity Systems, Inc.

250 Crossways Park Drive, Woodbury, NY 11797 USA

(800) 553-3332 (USA Only) www.infinitysystems.com

Infinity is a registered trademark of Infinity Systems, Inc. Printed in USA 12/99 Part No. 333755-001

Download from www.Somanuals.com All Manuals Search And Download.



LIMITED FIVE-YEAR WARRANTY

Prelude™ MTS, Intermezzo and Interlude Products

(applies to USA only)

Who is protected by the warranty?

Your Infinity warranty protects the original owner and all subsequent owners for a period of five (5) years (parts and labor) for all loudspeakers and/or electronic components from any failure as a result of an original manufacturing defect so long as (1) your Infinity loudspeakers were originally purchased within the fifty United States or by military personnel from an authorized military outlet, (2) the dealer from whom the loudspeakers were purchased was authorized by Infinity to sell such products at the time of original purchase and (3) the original, dated Bill of Sale is presented whenever service is required during the warranty period. This warranty is only valid for service within the United States and does not apply to products purchased elsewhere, other purchasers should contact their local Infinity distributor for warranty information.

What does the Infinity warranty cover?

Except as specified below, this warranty covers all defects in original materials and workmanship. The following are not covered: damage caused by accident, misuse, abuse, neglect, product modification, damage occurring during shipment, damage caused by failure to follow instructions in the owner's guide, including failure to perform recommended periodic or routine maintenance, damage resulting from repairs by someone not authorized by Infinity; units used for other than home use, units not used for their intended purpose, claims based upon any misrepresentations by the seller; and any Infinity product on which the serial number has been altered, defaced or removed.

Who pays for what?

During the period of this warranty, subject to the above conditions, Infinity will pay all of the labor and material expenses to repair a warrantable defect.

How can warranty service be obtained?

In the event that your Infinity loudspeaker(s) should require service, you should first contact either the Infinity dealer from whom the product was purchased or an authorized service center. For the name of an Infinity service center, visit our Web site at www.infinitysystems.com, write us directly at Infinity (ATTN: Customer Service) at 250 Crossways Park Drive, Woodbury, NY 11797, or call (800) 553-3332. We may direct you to an authorized service center for Infinity products or ask you to send the product to us for repair. In either case, you will have to present your original Bill of Sale to establish warranty coverage. Do not send your speaker to us without prior authorization from our Customer Service Department.

You are responsible for transporting your product to either Infinity or an authorized service center and for payment of all shipping charges, however, Infinity will pay the return shipping charges (in the event you return the product to us) if the repairs are covered by warranty. If you experience difficulty in transporting your product or are in need of packing materials, please advise us and we may be able to suggest alternative procedures and/or provide adequate packing materials.

LIMITATION OF IMPLIED WARRANTIES: All implied warranties, including fitness for a particular purpose and merchantability, are limited in duration and length to the warranty period for your product.

LIMITATION OF INCIDENTAL OR CONSEQUENTIAL DAMAGES: Infinity is not responsible for an incidental or consequential damage of any kind. Our liability is limited to the repair or replacement, at our option, of a defective product.

Some states do not allow limitations on how long an implied warranty lasts and/or do not allow the exclusion of incidental or consequential damages, so the above limitations or exclusions may not apply to you. This warranty gives you specific legal rights and you may also have other rights which vary from state to state.

NOTE: *In the event that there is a difference between this warranty and the provisions in any advertisements, product brochure, or packaging cartons, the terms of this warranty will prevail.*

Infinity continually strives to update and improve existing products, as well as create new ones. The specifications and construction details in this and related Infinity publications are, therefore, subject to change without notice.

© 1999 Infinity Systems Inc., 250 Crossways Park Drive, Woodbury, NY 11797 USA
(800) 553-3332



We need to hear from you!

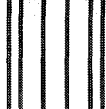
- Warranty Service
- Confirmation of Ownership
- Win a Certificate for
Infinity, JBL or Harman Kardon Products

see details inside...

**Please send products and
other correspondence to:**

**Infinity Systems Inc
250 Crossways Park Drive
Woodbury, NY 11797
Attn: Customer Service**

A 9 P 0 1 - 0 1



**NO POSTAGE
NECESSARY
IF MAILED
IN THE
UNITED STATES**

BUSINESS REPLY MAIL

FIRST CLASS MAIL

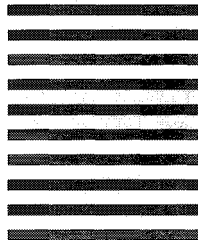
PERMIT NO 42

WOODBURY, NY

 **Infinity**

P O BOX 174217

DENVER CO 80217-9328



Free Manuals Download Website

<http://myh66.com>

<http://usermanuals.us>

<http://www.somanuals.com>

<http://www.4manuals.cc>

<http://www.manual-lib.com>

<http://www.404manual.com>

<http://www.luxmanual.com>

<http://aubethermostatmanual.com>

Golf course search by state

<http://golfingnear.com>

Email search by domain

<http://emailbydomain.com>

Auto manuals search

<http://auto.somanuals.com>

TV manuals search

<http://tv.somanuals.com>