

RS

Reference Standard (RS)
Bookshelf Speaker Systems
Models RS 1, RS 2, RS 3

Owner's Manual

Part #333365-001



THE REFERENCE STANDARD (RS) SERIES

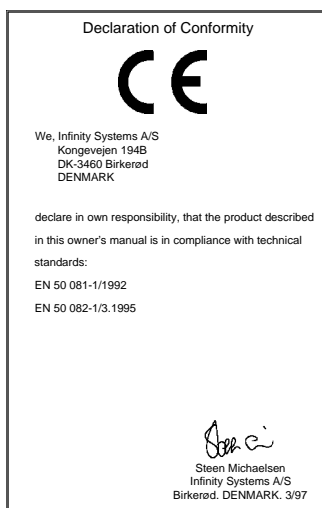
The Infinity RS Series is our newest family of bookshelf and floorstanding speaker systems, featuring advanced acoustic technology, highest-quality components, and exceptional cabinet designs. The RS 1, RS 2, and RS 3 models are 2-way, vented bookshelf systems, while the RS 4 and RS 5 are 2-way, vented high-output tower models.

All products use efficient drivers for maximum stereo output with minimal amplifier power. They are magnetically shielded, making them suitable for home theater applications as well.

UNPACKING THE SPEAKERS

If you suspect damage from transit, report it immediately to your dealer and/or delivery service. Keep the shipping carton and packing materials for future use.

These speakers are covered by a Limited Warranty (see *Limited Five-Year Warranty* on page 8), so save the sales receipt to protect your purchase and aid in any service-related questions. Also, save these instructions for future reference.



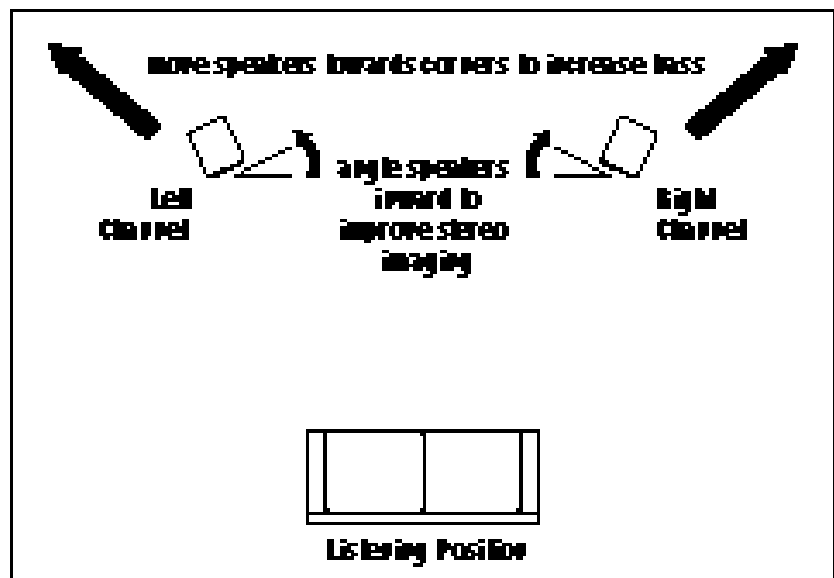
PLANNING YOUR SYSTEM

STEREO SPEAKER PLACEMENT...

Before deciding where to put your RS Series bookshelf speakers, survey your room and think about placement, keeping the following points in mind:

- ◆ These speakers are designed for placement on surfaces such as bookshelves, a low table, or speaker stands.
- ◆ For best results, try placing the speakers closer together than the distance to the listening area.
- ◆ Position each speaker so that the top of the cabinet is between 25 and 50 inches above the floor.
- ◆ Refer to Figure 1 when placing speakers for best bass level and stereo image (see *Final Adjustments* on page 6).
- ◆ Refer to *Home Theater Placement* on the next page if you also plan to use the speakers for home theater reproduction.

Figure 1. Experiment with speaker placement to obtain the best bass level and stereo imaging in your room.



HOME THEATER PLACEMENT...

PLANNING YOUR SYSTEM (CONT'D)

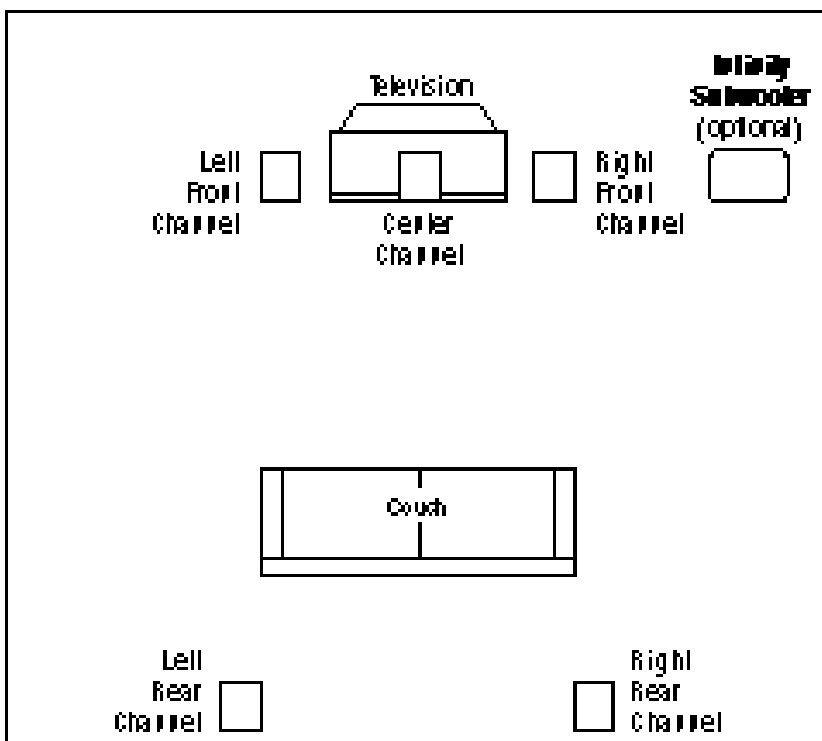
RS Series bookshelf speakers are also suitable for use in reproducing sound from front left, center, and front right channels, as well as rear surrounds (see Figure 2).

For front channel use, place one RS Series speaker on the left and another on the right (on bookshelves or pedestals) along either side of the television monitor. For center-channel use, place a RS Series speaker on top of the TV, or below (on a bookshelf or table), tilted upward toward the listener for maximum sonic impact. Since the speakers are magnetically shielded, you can set them in very close without worrying about the field distorting the TV picture.

For rear channel use, place speakers on bookshelves or pedestals alongside or behind the listening position. Final placement depends on room acoustics, availability of space, and your listening preference. If you do not like having a sound source coming directly from behind, try placing rear speakers on the side and slightly to the rear to provide a more balanced surround sound field.

NOTE: You can add an Infinity subwoofer for deep bass impact on sound effects and music. Contact your local Infinity dealer for recommendations on subwoofer models for your application.

Figure 2. This overhead view shows a typical home theater plan.



WIRING THE SYSTEM

TURN OFF ALL POWER...

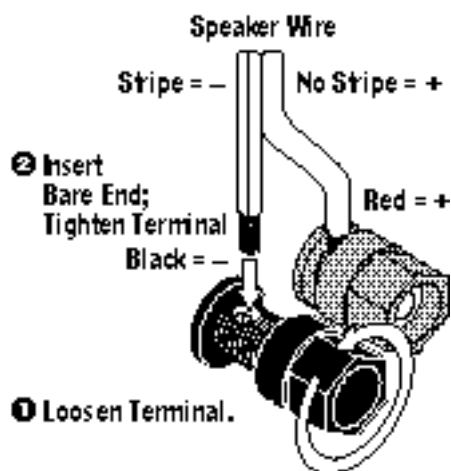
IMPORTANT: Make sure all equipment is turned off before making any connections.

For speaker connections, use #18 gauge speaker wire (or #16 for runs over 25 feet) with polarity coding. The side of the wire with a ridge or other coding is usually considered negative polarity (i.e., -).

NOTE: If desired, consult your local Infinity dealer about speaker wire and connection options.

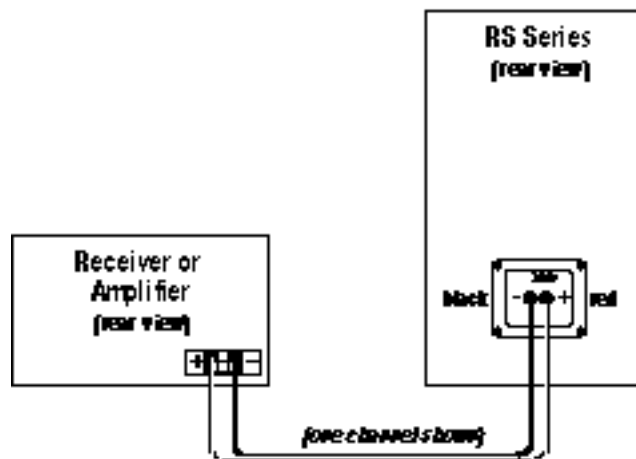
RS Series speakers have color coded terminals that accept a variety of wire connectors. The most common connection is shown in Figure 3.

Figure 3. RS Series speakers feature color-coded terminals. This example shows the most common way of connecting speaker wire by directly inserting into terminals.



To ensure proper polarity, connect each + terminal on the back of the amplifier, receiver, or television to the respective + (red) terminal on each speaker, as shown in Figure 4. Similarly, connect the - (black) terminals in the same way. Also, see the owner's manuals that were included with your amplifier, receiver, or television to confirm connection procedures.

Figure 4. Wiring diagram shows polarity connections for one channel of a stereo or home theater system.



IMPORTANT!

Do not reverse polarities (i.e., + to - or - to +) when making connections. Doing so will cause poor imaging and diminished bass response.

FINAL ADJUSTMENTS

Check the speakers for playback first by setting the system volume control for a minimum level, and then by applying power to your audio system. Play a favorite music or video segment and increase the system volume control to a comfortable level.

NOTE: You should hear balanced audio reproduction across the entire frequency spectrum. If not, check all wiring connections or consult the Authorized Infinity Dealer where you purchased the system for more help.

The amount of bass you hear and the stereo image quality will be affected by a number of different factors, including the room's size and shape, the construction materials used to build the room, the listener's position relative to the speakers, and the position of the speakers in the room.

Listen to a variety of music selections and note the bass level. If there is too much bass, move the speakers away from nearby walls (see Figure 1 on page 3). Conversely, if you want more bass, place the speakers closer to the walls.

Nearby reflecting surfaces can adversely affect stereo imaging quality. If this happens, try angling the speakers slightly inward toward the listening position, until the desired effect is achieved (see Figure 1 on page 3).

CARE OF YOUR SPEAKER SYSTEM

Each RS Series cabinet has a wood-vinyl finish that does not require any routine maintenance. When needed, use a soft cloth, dampened with water only, to remove any fingerprints or to wipe off dust.

Clean the grille by gentle vacuuming or with a damp cloth.

NOTE: Do not use any cleaning products or polishes on the cabinet or grille.

SPECIFICATIONS

PERFORMANCE DATA

RS 1

Recommended Amplifier Power:	15 ~ 100 W
Frequency Range:	55 ~ 20,000Hz
Sensitivity: (2.83 V @ 1 m)	89dB spl
Nominal Impedance:	8

DRIVE UNITS

Bass:	5 1/4" (125 mm)
High Frequency:	1/2" (12 mm)

DIMENSIONS

Height, Width, Depth:	10 1/2 x 6 1/2 x 8" (266 x 165 x 203 mm)
Weight (each, net):	8.7 lb (3.9 kg)

PERFORMANCE DATA

RS 2

Recommended Amplifier Power:	15 ~ 100 W
Frequency Range:	50 ~ 20,000Hz
Sensitivity: (2.83 V @ 1 m)	89dB spl
Nominal Impedance:	8

DRIVE UNITS

Bass:	6 1/2" (160 mm)
High Frequency:	1/2" (12 mm)

DIMENSIONS

Height, Width, Depth:	13 x 7 1/2 x 10" (330 x 190 x 254 mm)
Weight (each, net):	12.2 lb (5.5 kg)

PERFORMANCE DATA

RS 3

Recommended Amplifier Power:	15 ~ 125 W
Frequency Range:	40 ~ 20,000Hz
Sensitivity: (2.83 V @ 1 m)	89dB spl
Nominal Impedance:	8

DRIVE UNITS

Bass:	6 1/2" (160 mm)
High Frequency:	1" (25 mm)

DIMENSIONS

Height, Width, Depth:	15 1/2 x 7 1/2 x 10" (393 x 190 x 254 mm)
Weight (each, net):	14.2 lb (6.5 kg)

LIMITED FIVE-YEAR WARRANTY

Who is protected by the warranty?

Your Infinity warranty protects the original retail purchaser and all subsequent owners for a period of five (5) years (parts and labor) from any failure as a result of original manufacturing defect so long as: (1) your Infinity loudspeaker was purchased within the fifty United States or by military personnel from an authorized military outlet and (2) the original dated Bill of Sale is presented whenever service is required during the warranty period. This warranty does not apply to products purchased elsewhere; other purchasers should contact their local Infinity distributor for warranty information.

What does the Infinity warranty cover?

Except as specified below, this warranty covers all defects in original materials and workmanship. The following are not covered: damage caused by accident, misuse, abuse, neglect, product modification; damage occurring during shipment; damage caused by failure to follow instructions in the owner's manual, including failure to perform recommended periodic or routine maintenance; damage resulting from repairs by someone not authorized by Infinity; claims based upon any misrepresentations by the sellers; and any Infinity product on which the serial number has been altered, defaced or removed.

Who pays for what?

During the period of this warranty, subject to the above conditions, Infinity will pay all of the labor and material expenses to repair a warrantable defect.

How can warranty service be obtained?

In the event that your Infinity loudspeaker should require service, you should first contact the Infinity dealer from whom the product was purchased or, if this is not practical, contact Infinity directly (ATTN: Customer Service) at 80 Crossways Park West, Woodbury, NY 11797, (516) 496-3400. We may direct you to an authorized service center for Infinity products or ask you to send them to us for repair. In either case, you will have to present your original Bill of Sale to establish warranty coverage.

Do not send your speaker to us without prior authorization from our Customer Service Department. You are responsible for transporting your product to either Infinity or an authorized service center and for payment of all shipping charges; however, Infinity will pay the return shipping charges (in the event you return the product to us) if the repairs are covered by warranty. If you experience difficulty in transporting your product or are in need of packing materials, please advise us and we may be able to suggest alternative procedures and/or provide adequate packing materials.

LIMITATION OF IMPLIED WARRANTIES: All implied warranties, including fitness for a particular purpose and merchantability are limited in duration and length to the warranty period for your product.

LIMITATION OF INCIDENTAL OR CONSEQUENTIAL DAMAGES: Infinity is not responsible for an incidental or consequential damage of any kind. Our liability is limited to the repair or replacement, at our option, of a defective product.

Some states do not allow limitations on how long an implied warranty lasts and/or do not allow the exclusion of incidental or consequential damages, so the above limitations or exclusions may not apply to you. This warranty gives you specific legal rights and you may also have other rights which vary from state to state.

NOTE: In the event that there is a difference between this warranty and the provisions in any advertisements, product brochure, or packaging cartons, the terms of this warranty will prevail.

Infinity constantly strives to update and improve existing products, as well as create new ones. Therefore the specifications and construction details in this and related Infinity publications are subject to change without notice.

© 1997 Infinity Systems Inc., 80 Crossways Park West, Woodbury, NY 11797 USA
(516) 496-3400 • FAX (516) 496-4868
<http://www.infinitysystems.com>

Infinity is a registered trademark of Infinity Systems, Inc.

Free Manuals Download Website

<http://myh66.com>

<http://usermanuals.us>

<http://www.somanuals.com>

<http://www.4manuals.cc>

<http://www.manual-lib.com>

<http://www.404manual.com>

<http://www.luxmanual.com>

<http://aubethermostatmanual.com>

Golf course search by state

<http://golfingnear.com>

Email search by domain

<http://emailbydomain.com>

Auto manuals search

<http://auto.somanuals.com>

TV manuals search

<http://tv.somanuals.com>