

 **Infinity**<sup>®</sup>

kappa series  
**10.5t tweeter**  
instructions

**Thank you** for purchasing Infinity's Kappa 10.5t automotive tweeter. We've organized this manual to make your installation as simple and trouble-free as possible. Please read it thoroughly before proceeding. Remember to keep your sales receipt with this manual in a safe place so both are available for future reference.

## INSTALLATION WARNINGS AND TIPS

### ABOUT THESE INSTRUCTIONS

Installation of automotive stereo components can require extensive experience with a variety of mechanical and electrical procedures. Although these instructions explain how to install Kappa 10.5t tweeters in a general sense, they do not show the exact installation methods for your particular vehicle. If you feel you do not have the experience, do not attempt the installation yourself but, instead, ask your authorized Infinity car audio dealer about professional installation options.

### LOUD MUSIC AND HEARING

Playing loud music in an automobile can permanently damage your hearing, as well as hinder your ability to hear traffic. The maximum volume levels achievable with Infinity speakers, combined with high power amplification, may exceed safe levels for extended listening. We recommend using low volume levels when driving. Infinity accepts no liability for hearing loss, bodily injury, or property damage as a result of use or misuse of this product.

### ABOUT THE CROSSOVER

Passive crossover design involves precise circuit design and component selection. Moreover, a well-designed crossover circuit provides an intended electrical response, when combined with the electrical properties of the speaker, to provide a particular acoustic response. Each enclosed crossover has been optimized to provide a flat response when used with a Kappa 10.5t tweeter.

**Do not use another brand or type of passive crossover, or connect more than one tweeter to a crossover. Doing so may damage the tweeter.**

### INSTALLATION TIPS

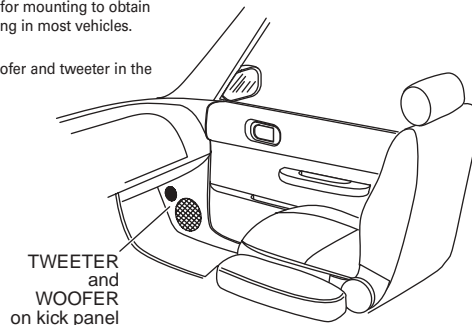
- Always wear protective eyewear when using any tools.
- Turn off all audio components and other electrical devices before you start. Disconnect the negative (-) lead from your vehicle's battery.
- Keep speakers in their package until final installation. When moving a speaker, always rest it with the cone or dome facing up. Never use force to install any speaker.
- Check clearances on both sides of a planned mounting surface before drilling any holes or installing any screws. Remember that the screws can extend behind the surface.
- At the installation sites, locate and make a note of all fuel lines, hydraulic brake lines, vacuum lines and electrical wiring. Use extreme caution when cutting or drilling in and around these areas.
- Before drilling or cutting holes, use a utility knife to remove unwanted fabric or vinyl to keep material from snagging in a drill bit or saw.
- For door installations, check the clearance with the windows throughout the range of the window's travel, and verify that a mounted speaker will not interfere with the window crank or power-window mechanism.
- If mounting speakers elsewhere, check for clearance around rear-deck torsion bars, glove box or other structural elements.
- Do not mount speakers where they will get wet.

## SPEAKER PLACEMENT

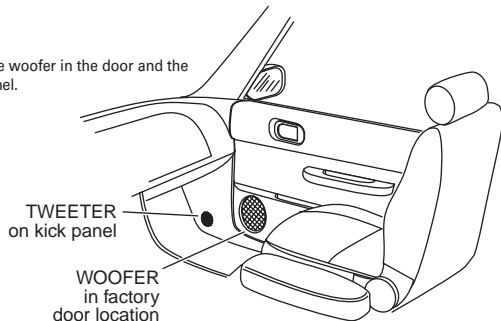
### ABOUT PLACEMENT

Figures 1 and 2 show possible speaker placements with Figure 1 being more desirable. We recommend using the kick panel for mounting to obtain the best staging and imaging in most vehicles.

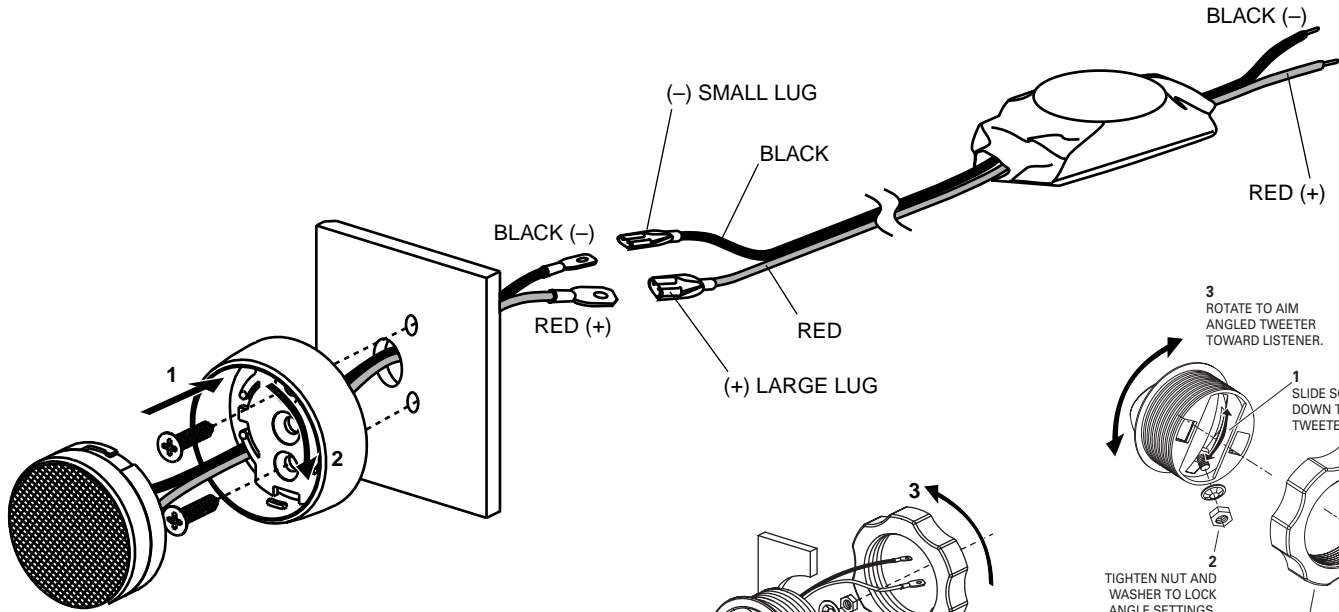
**Figure 1.** Mounting the woofer and tweeter in the kick panel.



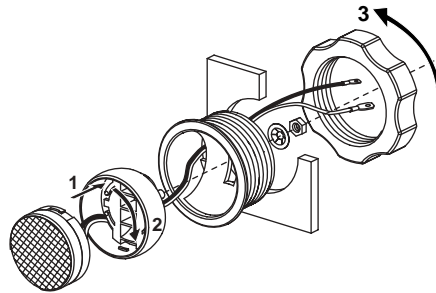
**Figure 2.** Mounting the woofer in the door and the tweeter in the kick panel.



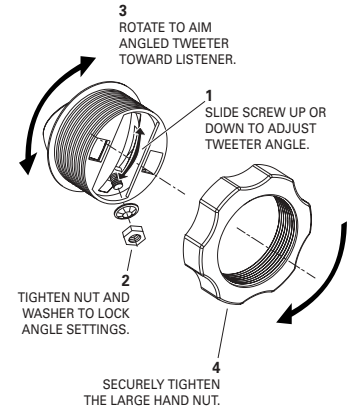
## TWEETER INSTALLATION



**Figure 3.** Surface-mounting the tweeter and connecting the crossover.



**Figure 4.** Mounting the tweeter using the I-Mount™ (patent no. 5,859,917) flush-mounting kit. Also see Figure 5.



**Figure 5.** Aiming the tweeter at a desired listening position.

## SPECIFICATIONS

---

### 10.5t

Type: 1" tweeter  
Speaker Impedance: 4 ohms  
Power Handling: 50W RMS, 150W Peak  
(with enclosed  
crossover)  
Sensitivity (2.83V, 1m): 90dB  
Frequency Response: 3.5kHz – 21kHz  
Mounting Depth: 1-3/16" (31mm)  
Cut-out Diameter: 1-3/4" (45mm)

### GENERAL CARE

The loudspeaker grilles may be cleaned with a damp cloth. Do not use any cleaners or solvents on the grilles or the speaker cones.



TECHNOLOGY • PERFORMANCE • DESIGN

Infinity Systems, Inc., 250 Crossways Park Drive, Woodbury, NY 11797 USA  
(800) 553-3332 • FAX (516) 682-3523 • [www.infinitysystems.com](http://www.infinitysystems.com)  
© 2002 Infinity Systems, Inc. • P/N: KAP10.5tOM • Printed 1/02

H A Harman International Company

### Declaration of Conformity



We, Harman Consumer International  
2, route de Tours  
72500 Chateau-du-Loir  
France

declare in own responsibility, that the product  
described in this owner's manual is in compliance  
with technical standards:

EN 50081-1:1992  
EN 50082-1:1997

A handwritten signature in blue ink, appearing to read "Vincent Delanoe".

Vincent Delanoe  
Harman Consumer International  
Chateau-du-Loir, France. 1/02

**LIMITED WARRANTY  
THREE YEARS  
Kappa and Beta Series Automotive Speakers**

This warranty remains in effect for three years from the date of purchase.

**WHO IS PROTECTED BY THIS WARRANTY**

This warranty protects the original owner and is not transferable, providing that the product has been purchased in the United States. The original dated bill of sale from an Authorized Infinity Dealer must be presented whenever warranty service is required. For warranty service outside the United States, contact the Infinity distributor in the country where the product was purchased.

**WHAT IS COVERED BY THIS WARRANTY**

Except as specified below, this warranty covers all defects in materials and workmanship. The following are not covered: Damage caused by accident, misuse, abuse, product modification or neglect, damage occurring during shipment, damage from failure to follow instructions contained in the instruction manual, damage resulting from the performance of repairs by someone not authorized by Infinity, or any claims based on misrepresentations by the seller. This warranty does not cover incidental or consequential damages. It does not cover the cost of removing or reinstalling the unit.

You are responsible for transporting your product for repair. However, Infinity will pay return charges if the repair is covered under warranty. Outside the United States, contact your local distributor.

This warranty gives you specific legal rights. You may also have other rights which vary from state to state. Some states do not allow the exclusion or limitation of incidental or consequential damages or limitations on how long an implied warranty lasts, so the above may not apply to you.

**PLEASE MAKE NOTE OF THE FOLLOWING  
INFORMATION AND RETAIN FOR YOUR RECORD**

Product Name: \_\_\_\_\_

Model Number: \_\_\_\_\_

Store Name: \_\_\_\_\_

Date of Purchase: \_\_\_\_\_



# We need to hear from you!

- Warranty Service
- Confirmation of Ownership

In the world of high fidelity, technology is all too often viewed as the end product. At Infinity, we have a different viewpoint: technology is only the means to an end. The end result must be enjoyment of the programs and music you hear.



**Thanks for choosing Infinity**

Register your purchase via the Internet at:

<http://www.infinitysystems.com>

See owner's information  
under car audio  
for product registration.

# LIMITED THREE-YEAR WARRANTY

Kappa and Kappa Perfect (Applies to USA only)

## WHO IS PROTECTED BY THE WARRANTY

Your Infinity warranty protects the original owner and all subsequent owners for a period of three (3) year (parts and labor) for all loudspeaker and/or electronic components from any failure as a result of an original manufacturing defect so long as: (1) your Infinity product was originally purchased within the fifty United States or by military personnel from an authorized military outlet, (2) the dealer from whom the products were purchased was authorized by Infinity to sell such products at the time of original purchase and (3) the original, dated Bill of Sale is presented whenever service is required during the warranty period. This warranty is only valid for service within the United States and does not apply to products purchased elsewhere; other purchasers should contact their local Infinity distributor for warranty information.

## WHAT DOES THE INFINITY WARRANTY COVER:

Except as specified below, this warranty covers all defects in original materials and workmanship. The following are not covered: damage caused by accident, misuse, abuse, neglect, product modification; damage occurring during shipment, damage caused by failure to follow instructions in the owner's guide, including failure to perform recommended periodic or routine maintenance; damage resulting from repairs by someone not authorized by Infinity; units used for other than car use; units not used for their intended purpose; claims based upon any misrepresentations by the seller; and any Infinity product on which the serial number has been altered, defaced or removed.

## WHO PAYS FOR WHAT?

During the period of this warranty, subject to the above conditions, Infinity will pay all of the labor and material expenses to repair a warrantable defect.

## HOW CAN WARRANTY SERVICE BE OBTAINED?

In the event that your Infinity product(s) should require service, you should first contact either the Infinity dealer from whom the product was purchased or an authorized service center. For the name of an Infinity service center, visit our

Web site at [www.infinitysystems.com](http://www.infinitysystems.com), write us directly at Infinity (ATTN: Customer Service) at 250 Crossways Park Drive, Woodbury, NY 11797, or call (800) 553-3332. We may direct you to an authorized service center for Infinity products or ask you to send the product to us for repair. In either case, you will have to present your original Bill of Sale to establish warranty coverage. Do not send your product to us without prior authorization from our Customer Service Department. You are responsible for transporting your product to either Infinity or an authorized service center and for payment of all shipping charges; however, Infinity will pay the return shipping charges (in the event you return the product to us) if the repairs are covered by warranty. If you experience difficulty in transporting your product or are in need of packing materials, please advise us and we may be able to suggest alternative procedures and/or provide adequate packing materials.

## LIMITATION OF IMPLIED WARRANTIES:

All implied warranties, including fitness for a particular purpose and merchantability, are limited in duration and length to the warranty period for your product.

## LIMITATION OF INCIDENTAL OR CONSEQUENTIAL DAMAGES:

Infinity is not responsible for incidental or consequential damage of any kind. Our liability is limited to the repair or replacement, at our option, of a defective product.

Some states do not allow limitations on how long an implied warranty lasts and/or do not allow the exclusion of incidental or consequential damages, so the above limitations or exclusions may not apply to you. This warranty gives you specific legal rights and you may also have other rights, which vary, from state to state.

**NOTE:** In the event that there is a difference between this warranty and the provisions in any advertisements, product brochure, or packaging cartons, the terms of this warranty will prevail.

Infinity continually strives to update and improve existing products, as well as create new ones. The specifications and construction details in this and related Infinity publications are, therefore, subject to change without notice.

© 1999 Infinity Systems, Inc., 250 Crossways Park Drive, Woodbury, NY 11797 USA

Infinity is a registered trademark of Infinity Systems, Inc. P/N: 33564-I-001

**PLEASE MAKE NOTE OF THE FOLLOWING INFORMATION AND RETAIN FOR YOUR RECORDS**

Product Name: \_\_\_\_\_

Model Number: \_\_\_\_\_

Store Name: \_\_\_\_\_

Date of Purchase: \_\_\_\_\_

Download from [www.Somanuals.com](http://www.Somanuals.com), All Manuals Search And Download.



## Free Manuals Download Website

<http://myh66.com>

<http://usermanuals.us>

<http://www.somanuals.com>

<http://www.4manuals.cc>

<http://www.manual-lib.com>

<http://www.404manual.com>

<http://www.luxmanual.com>

<http://aubethermostatmanual.com>

Golf course search by state

<http://golfingnear.com>

Email search by domain

<http://emailbydomain.com>

Auto manuals search

<http://auto.somanuals.com>

TV manuals search

<http://tv.somanuals.com>