



INTERLUDE™ SPEAKER SYSTEMS

Owner's Guide

- IL10
- IL30
- IL40



Infinity Interlude Series

The Interlude Series of loudspeakers continues Infinity's longstanding commitment to accurate sound reproduction. Our proprietary Ceramic Metal Matrix Diaphragm™ (C.M.M.D.) drivers, precision dividing networks and rigid, well-braced enclosures combine to deliver uncompromised performance in any stereo or multichannel home-theater system. In addition, the IL10, IL30 and IL40 are magnetically shielded for safe placement adjacent to a television.

UNPACKING THE SPEAKERS

If you suspect damage from transit, report it immediately to your dealer. Keep the shipping carton and packing materials for future use.

PLACEMENT

Stereo

Before deciding where to place your Interlude speakers, survey your room and think about placement, keeping the following points in mind:

- For best results, place the speakers 6'–8' apart.
- Position each speaker so that the tweeter is at approximately ear level.
- Generally, bass output will increase as the speaker is moved closer to a wall or corner.
- Refer to "Home Theater" below if you also plan to use the speakers for home-theater reproduction.

Home Theater

For front-channel use, place one speaker on the left and another on the right along either side of the television monitor. Since the speakers are magnetically shielded, you can place them without worrying about the field distorting the TV picture.

For rear-channel use, place speakers on bookshelves or stands alongside the listening position. Final placement depends on room acoustics, availability of space and your listening preference (Figure 2).

NOTE: An Infinity powered subwoofer will add impact and realism to both music and film soundtracks. Contact your local Infinity dealer for recommendations on subwoofer models for your application.

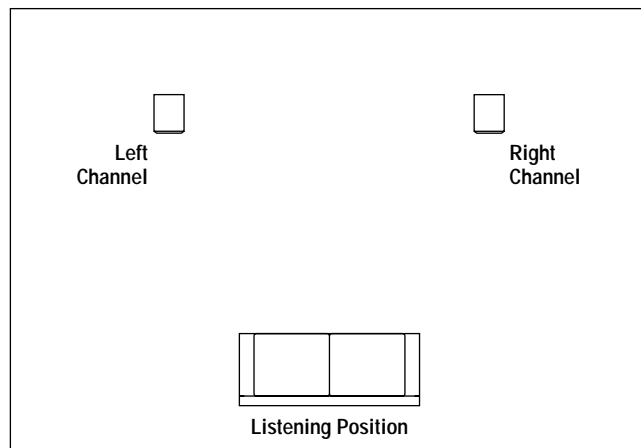


FIGURE 1 – Experiment with speaker placement to obtain the best bass level and stereo imaging in your room.

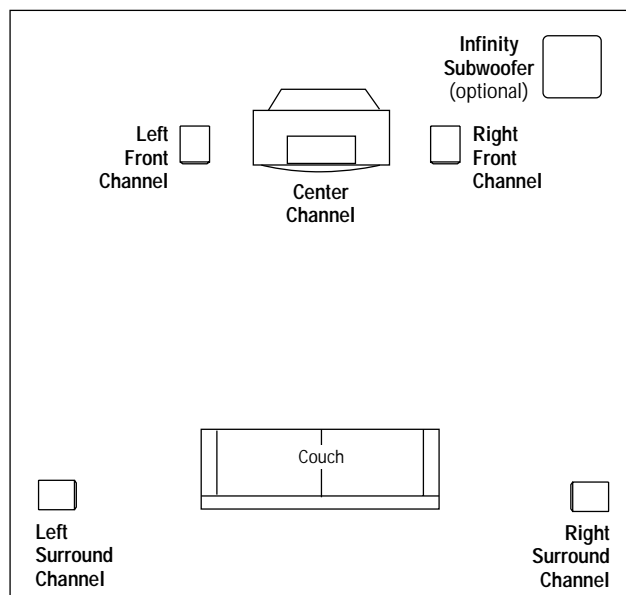


FIGURE 2 – This overhead view shows a typical home-theater plan.

INSTALLING FEET

IL30 and IL40

Refer to Figure 3 as you perform the following steps:

1. Open each accessory pack and locate the following items: four feet (with spike/round ends), four locking nuts, four nylon domes and one wrench.
2. Lay each speaker on its side and locate the four threaded holes on the bottom.
3. For carpets, screw the round end of a foot into each hole and hand-tighten a nut onto each one. Leave a minimum of 5/8" of exposed spike. (On thicker carpets, you can increase the length of exposed spike up to 1-1/8") For hard-surface floors, screw the spike end into each hole instead and leave 5/8" of round end exposed.
4. Carefully flip each speaker upright to sit on its feet.
5. If needed, adjust the feet so each speaker is level and then tighten each nut with the enclosed wrench. To protect hard surfaces (e.g., wood floors), slip a nylon dome onto each round end.

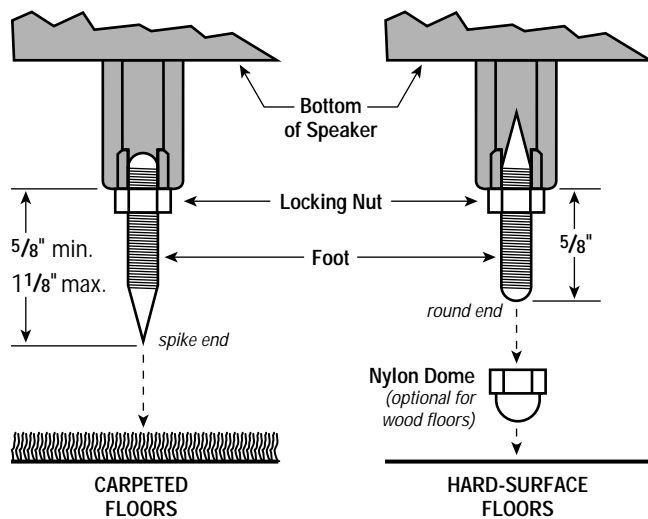


FIGURE 3 – This cross section shows how to install a foot onto the bottom of an IL30 or IL40 floorstanding speaker.

WIRING THE SYSTEM

IMPORTANT: Make sure all equipment is turned off before making any connections.

For speaker connections, use a minimum #16-gauge speaker wire with polarity coding. The side of the wire with a ridge or other coding is usually considered positive polarity (i.e., +).

NOTE: If desired, consult your local Infinity dealer about speaker wire and connection options.

The speakers have coded terminals that accept a variety of wire connectors. The most common connection is shown in Figure 4.

To ensure proper polarity, connect each + terminal on the back of the amplifier or receiver to the respective + (red) terminal on each speaker, as shown in Figure 5. Connect the - (black) terminals in a similar way. See the owner's guides that were included with your amplifier, receiver and television to confirm connection procedures.

IMPORTANT: Do not reverse polarities (i.e., + to - or - to +) when making connections. Doing so will cause poor imaging and diminished bass response.

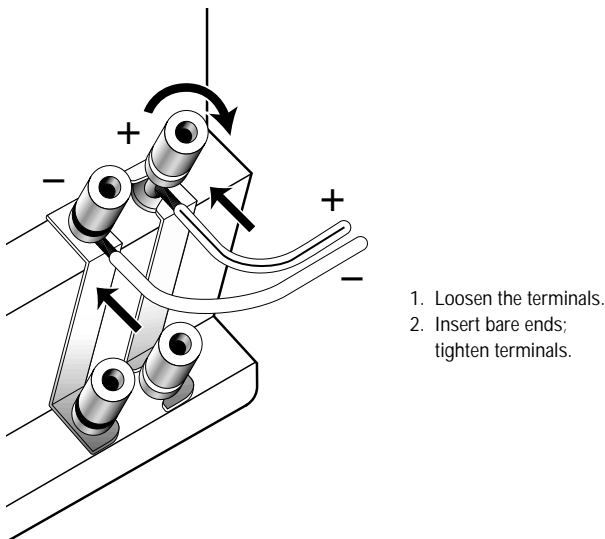


FIGURE 4 – This example shows how to connect bare wires to the terminals. Banana plugs may also be inserted directly into the rear of the connector.

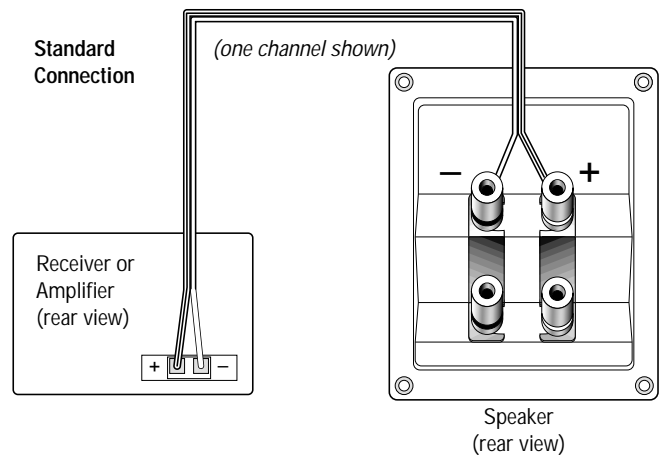
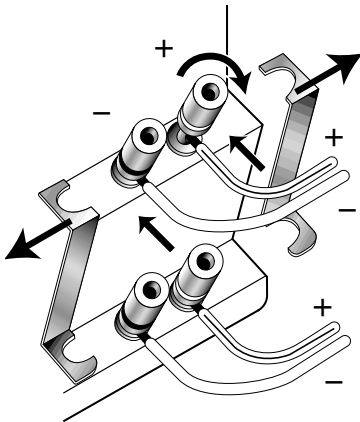


FIGURE 5 – Wiring diagram shows polarity connections for one channel of a stereo or home-theater system.

BI-WIRING

The Interlude Series outer connection panel and internal dividing network are designed so that separate sets of speaker cables can be attached to the low-frequency transducer and midrange/high-frequency transducer portions of this dividing network. This is called bi-wiring. Bi-wiring can provide several sonic advantages and considerably more flexibility in power amplifier selection.



1. Loosen the terminals and remove strapping bars.
2. Insert the speaker wire for the high frequencies into the top set of terminals and tighten.
3. Insert the speaker wire for the low frequencies into the bottom set of terminals and tighten.

FIGURE 6

Single-Stereo Amplifier

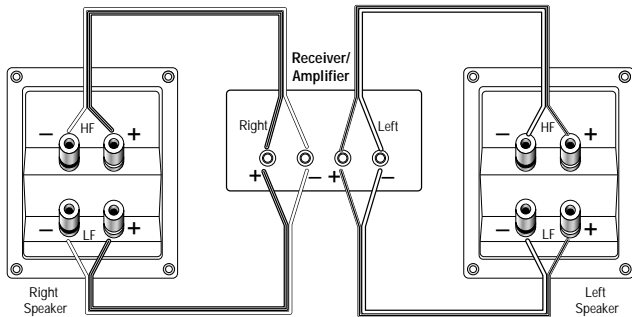


FIGURE 7

Dual-Stereo Amplifier

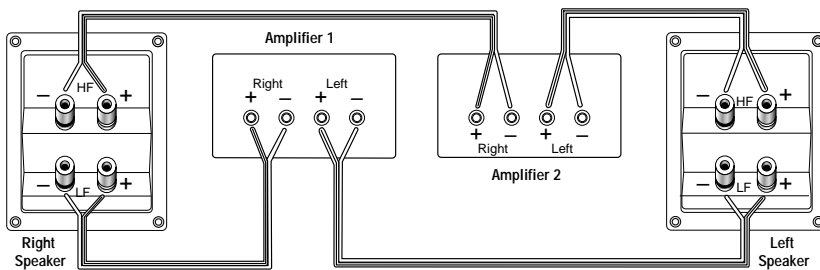


FIGURE 8

FINAL ADJUSTMENTS

Check the speakers for playback first by setting the system volume control to a minimum level, and then by applying power to your audio system. Play a favorite music or video segment and increase the system volume control to a comfortable level.

NOTE: You should hear balanced audio reproduction across the entire frequency spectrum. If not, check all wiring connections or consult the authorized Infinity dealer from whom you purchased the system for more help.

The amount of bass you hear and the stereo-image quality will be affected by a number of different factors, including the room's size and shape, the construction materials used to build the room, the listener's position relative to the speakers, and the position of the speakers in the room.

Listen to a variety of music selections and note the bass level. If there is too much bass, move the speakers away from nearby walls. Conversely, if you place the speakers closer to the walls, there will be more bass output.

Nearby reflecting surfaces can adversely affect stereo-imaging quality. If this happens, try angling the speakers slightly inward toward the listening position until the desired effect is achieved.

CARE OF YOUR SPEAKER SYSTEM

Each Interlude Series cabinet has a wood-vinyl finish that does not require any routine maintenance. When needed, use a soft cloth, dampened with water only, to remove any fingerprints or dust.

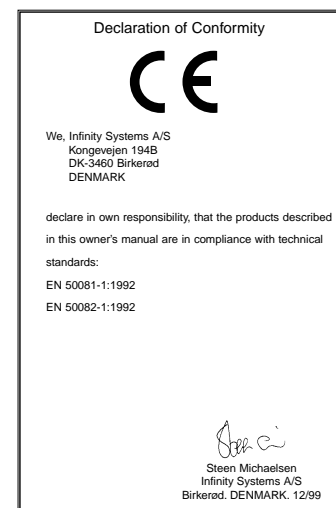
Clean the grille by gentle vacuuming.

NOTE: Do not use any cleaning products or polishes on the cabinet or grille.

SPECIFICATIONS

	IL10	IL30	IL40
Frequency Range:	56Hz – 22,000Hz (± 3 dB)	48Hz – 22,000Hz (± 3 dB)	38Hz – 22,000Hz (± 3 dB)
Recommended Amplifier Power Range:	15 – 150 watts	15 – 150 watts	15 – 175 watts
Sensitivity: (2.83V @ 1 meter)	88dB	88dB	89dB
Nominal Impedance:	8 Ω	8 Ω	8 Ω
Crossover Frequency:	2800Hz; 24dB/octave	2800Hz; 24dB/octave	600Hz, 2500Hz; 24dB/octave
Low-Frequency Driver:	6-1/2" (165mm) C.M.M.D., magnetically shielded	6-1/2" (165mm) C.M.M.D., magnetically shielded	8" (203mm) C.M.M.D., magnetically shielded
Mid-Frequency Driver:	N/A	N/A	4" (102mm) C.M.M.D., magnetically shielded
High-Frequency Driver:	1" (25mm) C.M.M.D., magnetically shielded	1" (25mm) C.M.M.D., magnetically shielded	1" (25mm) C.M.M.D., magnetically shielded
Dimensions: (H x W x D)	15-5/8" x 8-1/2" x 11-1/2" (397mm x 216mm x 292mm)	36" x 8-1/2" x 8-3/4" (914mm x 216mm x 222mm)	40" x 10" x 11-1/2" (1016mm x 254mm x 292mm)
Weight:	18lb (8.2kg)	34lb (15.5kg)	41lb (18.6kg)

Infinity continually strives to update and improve existing products, as well as create new ones. The specifications and construction details in this and related Infinity publications are therefore subject to change without notice.





A Harman International Company © 1999 Infinity Systems, Inc.

250 Crossways Park Drive, Woodbury, NY 11797 USA

(800) 553-3332 (USA Only) www.infinitysystems.com

Infinity is a registered trademark of Infinity Systems, Inc. Printed in USA 12/99 Part No. 335755-001

Free Manuals Download Website

<http://myh66.com>

<http://usermanuals.us>

<http://www.somanuals.com>

<http://www.4manuals.cc>

<http://www.manual-lib.com>

<http://www.404manual.com>

<http://www.luxmanual.com>

<http://aubethermostatmanual.com>

Golf course search by state

<http://golfingnear.com>

Email search by domain

<http://emailbydomain.com>

Auto manuals search

<http://auto.somanuals.com>

TV manuals search

<http://tv.somanuals.com>