



 **Infinity**[®]

kappa series

42.3i, 52.3i, 62.3i, 63.3i,
652.3i, 692.3i, 693.3i,
32.3cf, 462.3cfp, 572.3cf

instructions

Thank you for purchasing Infinity's Kappa Series multi-element automotive loudspeakers. We've organized this manual to make their installation as simple and trouble-free as possible. Please read it thoroughly before proceeding. Remember to keep your sales receipt with this manual in a safe place so both are available for future reference.

INSTALLATION WARNINGS AND TIPS

ABOUT THESE INSTRUCTIONS

Installation of automotive stereo components can require extensive experience with a variety of mechanical and electrical procedures. Although these instructions explain how to install Kappa Series multi-element speakers in a general sense, they do not show the exact installation methods for your particular vehicle. If you do not feel you have the experience, do not attempt the installation yourself, but instead ask your authorized Infinity car audio dealer about professional installation options.

LOUD MUSIC AND HEARING

Playing loud music in an automobile can hinder your ability to hear traffic as well as permanently damage your hearing. The maximum volume levels achievable with Infinity speakers, combined with high power amplification, may exceed safe levels for extended listening. We recommend using low volume levels when driving. Infinity accepts no liability for hearing loss, bodily injury, or property damage as a result of use or misuse of this product.

REAR DECK PRECAUTION

In some cars, fuel tanks may be located directly beneath the rear deck. Before installation, make sure there is adequate speaker basket clearance before considering this location!

ABOUT THE CROSSOVER

Except for the 462.3cfp, each Kappa Series multi-element speaker includes a crossover for in-line connection to an amplifier output and is required for proper operation (see Figure 7 on the next page). The attached crossover wires are keyed and color-coded to aid in correct polarity connections. **Do not omit the crossover or substitute another one – doing so will damage the speaker.**

INSTALLATION TIPS

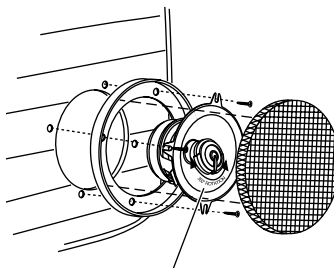
- Always wear protective eyewear when using any tools.
- Turn off all audio components and other electrical devices before you start. Disconnect the (-) negative lead from your vehicle's battery.
- Keep speakers in their package until final installation. When moving a speaker, always rest it with the cone or dome facing up. Never use force to install any speaker.
- Check clearances on both sides of a planned mounting surface before drilling any holes or installing any screws. Remember that the screws can extend behind the surface.
- At the installation sites, locate and make a note of all fuel lines, hydraulic brake lines, vacuum lines and electrical wiring. Use extreme caution when cutting or drilling in and around these areas.
- Before drilling or cutting holes, use a utility knife to remove unwanted fabric or vinyl, to keep material from snagging in a drill bit or saw.
- For door installations, check the clearance with the windows throughout the range of the window's travel, and verify that a mounted speaker will not interfere with the window crank or power window mechanism.
- If mounting speakers elsewhere, check for clearance around rear deck torsion bars, glove box or other structural elements.
- Do not mount speakers where they will get wet.

INSTALLATION

Figure 1. Mounting the 42.3i, 52.3i, 62.3i, 63.3i, 692.3i, 693.3i, 32.3cf or 572.3cf.

NOTE: The 32.3cf, 462.3cfp and 572.3cf speakers are designed to be installed under factory grilles. Consequently, no grilles are packaged with these models.

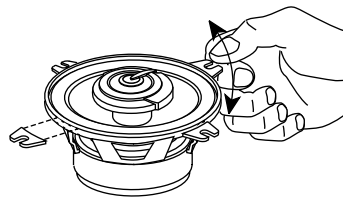
NOTE: If you are mounting the 572.3cf in a 6" x 8" location, use the adapter provided.



ROTATE TWEETER SO IT IS ANGLED TOWARD THE LISTENER USING THE UNIPIVOT™ (patent no. 6,002,780) FEATURE ON THE 52.3i, 62.3i, 652.3i, 572.3cf AND 692.3i.

Figure 2. Modifying the 42.3i to be installed in locations requiring fewer than 4 mounting "ears". (The 62.3i and 63.3i may be similarly modified.)

NOTE: Grip the tab with pliers and bend to detach it from the speaker.



INSTALLATION

Figure 3. Mounting the 572.3cf or 462.3cfp. The 32.3cf (not shown) is mounted in a similar way.

NOTE: The 32.3cf, 462.3cfp, and 572.3cf speakers are designed to be installed under factory grilles. Consequently, no grilles are packaged with these Kappa models.

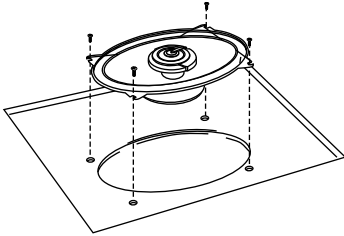


Figure 3a.

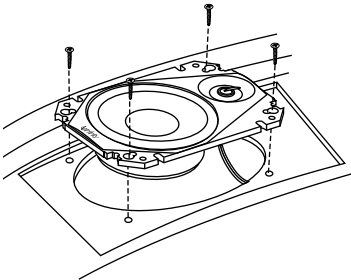
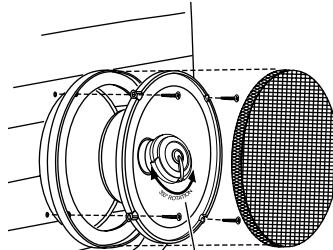
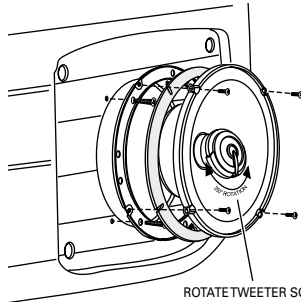


Figure 4. Mounting the 652.3i with the grille.



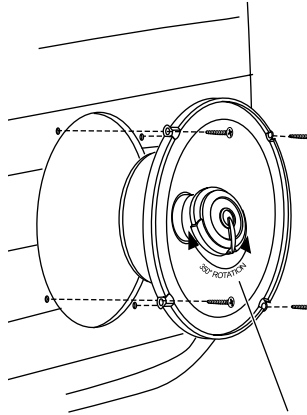
ROTATE TWEETER SO IT IS ANGLED TOWARD THE LISTENER USING THE UNIPIVOT™ (patent no. 6,002,780) FEATURE ON THE 52.3i, 62.3i, 652.3i, 572.3cf AND 692.3i.

Figure 5. Mounting the 652.3i in a standard speaker location.



ROTATE TWEETER SO IT IS ANGLED TOWARD THE LISTENER USING THE UNIPIVOT™ (patent no. 6,002,780) FEATURE ON THE 52.3i, 62.3i, 652.3i, 572.3cf AND 692.3i.

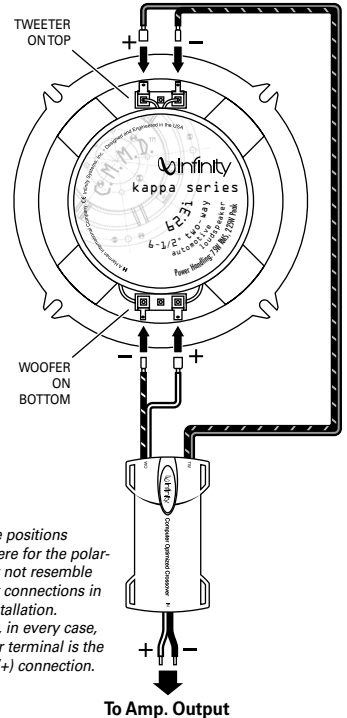
Figure 6. Mounting the 652.3i in a 165mm speaker location.



ROTATE TWEETER SO IT IS ANGLED TOWARD THE LISTENER USING THE UNIPIVOT™ (patent no. 6,002,780) FEATURE ON THE 52.3i, 62.3i, 652.3i, 572.3cf AND 692.3i.

CONNECTIONS

Figure 7. Connecting an in-line crossover to a 62.3i and an amplifier output. Other speaker models are connected in a similar way.



Note: The positions shown here for the polarities may not resemble the exact connections in every installation. However, in every case, the larger terminal is the positive (+) connection.

SPECIFICATIONS

42.3i	Type: 4" 2-Way Speaker Impedance: 4 ohms Power Handling: 50W RMS, 150W Peak Sensitivity (2.83V, 1m): 90dB Frequency Response: 75Hz – 21kHz Mounting Depth: 1-3/4" (45mm) Cut-Out Diameter: 3-5/8" (93mm)	63.3i	Type: 6-1/2" 3-Way Speaker Impedance: 4 ohms Power Handling: 75W RMS, 225W Peak Sensitivity (2.83V, 1m): 90dB Frequency Response: 45Hz – 22kHz Mounting Depth: 2-1/16" (53mm) Cut-Out Diameter: 5" (127mm)	693.3i	Type: 6" x 9" 3-Way Speaker Impedance: 4 ohms Power Handling: 110W RMS, 330W Peak Sensitivity (2.83V, 1m): 90dB Frequency Response: 35Hz – 22kHz Mounting Depth: 3-3/16" (81mm) Cut-Out Diameter: 5-7/8" x 8-11/16" (150mm x 221mm)	572.3cf	Type: 5" x 7" 2-Way, Custom-Fit Speaker Impedance: 4 ohms Power Handling: 100W RMS, 300W Peak Sensitivity (2.83V, 1m): 90dB Frequency Response: 40Hz – 21kHz Mounting Depth: 2-1/4" (58mm) Cut-Out Diameter: 4-15/16" x 7-1/8" (126mm x 181mm)
52.3i	Type: 5-1/4" 2-Way Speaker Impedance: 4 ohms Power Handling: 55W RMS, 165W Peak Sensitivity (2.83V, 1m): 90dB Frequency Response: 55Hz – 21kHz Mounting Depth: 2" (51mm) Cut-Out Diameter: 4-5/8" (118mm)	652.3i	Type: 165mm 2-Way Speaker Impedance: 4 ohms Power Handling: 75W RMS, 225W Peak Sensitivity (2.83V, 1m): 90dB Frequency Response: 45Hz – 21kHz Mounting Depth: 2-3/8" (61mm) Cut-Out Diameter: 5-1/2" (140mm)	32.3cf	Type: 3-1/2" 2-Way, Custom-Fit Speaker Impedance: 4 ohms Power Handling: 35 W RMS, 105W Peak Sensitivity (2.83V, 1m): 90dB Frequency Response: 85Hz – 21kHz Mounting Depth: 1-9/16" (40mm) Cut-Out Diameter: 3-1/8" (80mm)		
62.3i	Type: 6-1/2" 2-Way Speaker Impedance: 4 ohms Power Handling: 75W RMS, 225W Peak Sensitivity (2.83V, 1m): 90dB Frequency Response: 45Hz – 21kHz Mounting Depth: 2-1/16" (53mm) Cut-Out Diameter: 5" (127mm)	692.3i	Type: 6" x 9" 2-Way Speaker Impedance: 4 ohms Power Handling: 110W RMS, 330W Peak Sensitivity (2.83V, 1m): 90dB Frequency Response: 35Hz – 21kHz Mounting Depth: 3-3/16" (81mm) Cut-Out Diameter: 5-7/8" x 8-11/16" (150mm x 221mm)	462.3cfp	Type: 4" x 6" 2-Way, Custom-Fit Plate Speaker Impedance: 4 ohms Power Handling: 60W RMS, 180W Peak Sensitivity (2.83V, 1m): 90dB Frequency Response: 75Hz – 21kHz Mounting Depth: 1-3/4" (45mm) Cut-Out Diameter: 3-5/8" x 5-1/4" (93mm x 134mm)		



Infinity Systems, Inc., 250 Crossways Park Drive, Woodbury, NY 11797 USA
(800) 553-3332 • FAX (516) 682-3523 • www.infinitysystems.com

© 2001 Infinity Systems, Inc. • P/N: KAPSEROM2/01 • Printed 2/01
H A Harman International Company

DECLARATION OF CONFORMITY



We, Harman Consumer International
2, route de Tours
72500 Chateau-du-Loir
France

declare in own responsibility, that the products described in this owner's manual are in compliance with technical standards:
EN 50081-1:1992
EN 50082-1:1992

Louis Uphoff
Harman Consumer International
Chateau-du-Loir, France, 2/01

Free Manuals Download Website

<http://myh66.com>

<http://usermanuals.us>

<http://www.somanuals.com>

<http://www.4manuals.cc>

<http://www.manual-lib.com>

<http://www.404manual.com>

<http://www.luxmanual.com>

<http://aubethermostatmanual.com>

Golf course search by state

<http://golfingnear.com>

Email search by domain

<http://emailbydomain.com>

Auto manuals search

<http://auto.somanuals.com>

TV manuals search

<http://tv.somanuals.com>