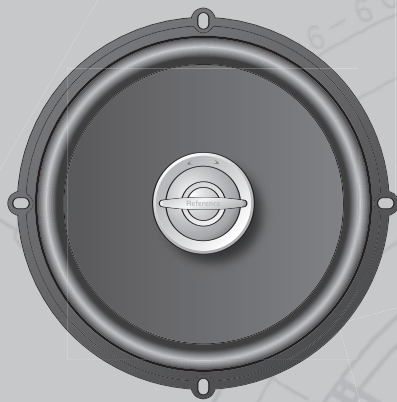


4012i, 5012i, 6012i, 6012si, 9612i,  
9613i, 3012cf, 6412cf, 6412cfp, 6812cf



 **Infinity**<sup>®</sup>

*instructions*

**reference series**

**THANK YOU** for purchasing Infinity's Reference Series multielement automotive loudspeakers. We've organized this manual to make their installation as simple and trouble-free as possible. Please read it thoroughly before proceeding.

Remember to keep your sales receipt with this manual in a safe place so both are available for future reference.

**IMPORTANT:** Installation of automotive stereo components can require extensive experience with a variety of mechanical and electrical procedures. Although these instructions explain how to install Reference Series speakers in a general sense, they do not show the exact installation methods for your particular vehicle. If you do not feel you have the experience, do not attempt the installation yourself; instead, ask your authorized Infinity car audio dealer about professional installation options.

**WARNING:** Playing loud music in an automobile can permanently damage your hearing, as well as hinder your ability to hear traffic. The maximum volume levels achievable with Infinity speakers, combined with high power amplification, may exceed safe levels for extended listening. We recommend using low volume levels when driving. Infinity accepts no liability for hearing loss, bodily injury, or property damage as a result of use or misuse of this product.

## INSTALLATION WARNINGS AND TIPS

- Always wear protective eyewear when using any tools.
- Turn off all audio components and other electrical devices before you start. Disconnect the (-) negative lead from your vehicle's battery.
- Keep speakers in their package until final installation. When moving a speaker, always rest it with the cone or dome facing up. Never use force to install any speaker.
- Check clearances on both sides of a planned mounting surface before drilling any holes or installing any screws. Remember that the screws can extend behind the surface.
- At the installation sites, locate and make a note of all fuel lines, hydraulic brake lines, vacuum lines and electrical wiring. Use extreme caution when cutting or drilling in and around these areas.

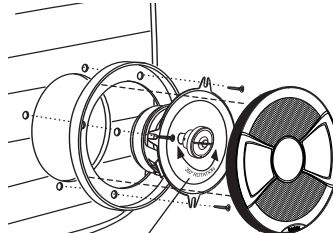
**CAUTION:** In some cars, fuel tanks may be located directly beneath the rear deck. Check for adequate speaker basket clearance before considering this location!

- Before drilling or cutting holes, use a utility knife to remove unwanted fabric or vinyl, to keep material from snagging in a drill bit or saw.
- For door installations, check the clearance with the windows throughout the range of the window's travel, and verify that a mounted speaker will not interfere with the window crank or power window mechanism.
- If mounting speakers elsewhere, check for clearance around rear deck torsion bars, glove box or other structural elements.
- Do not mount speakers where they will get wet.

## INSTALLATION

**Figure 1.** Mounting the Reference Series speakers using supplied grille.

*Note: The 3012cf, 6412cf, 6412cfp and 6812cf speakers are designed to be installed under factory grilles. Consequently, no grilles are packaged with these models.*

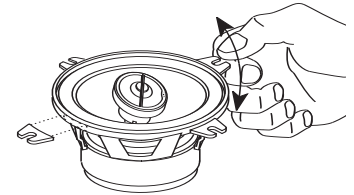


ROTATE TWEETER, SO IT IS ANGLED TOWARD THE LISTENER, USING THE UNIPIVOT™ (pat. no 6,002,780) FEATURE ON THE 5012i, 6012i, 9612i AND 6812cf

*Note: The 6812cf is intended to replace 5" x 7" and 6" x 8" speakers.*

**Figure 2.** Modifying the 4012i to be installed in locations requiring fewer than 4 mounting "ears."

*Note: Bend tab back and forth to detach it from the speaker.*

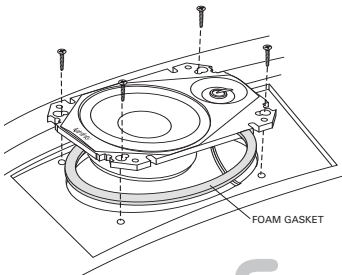
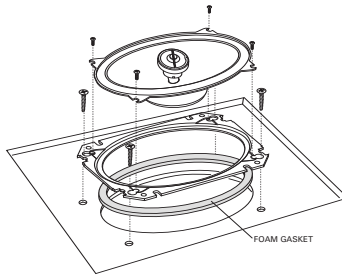


## INSTALLATION

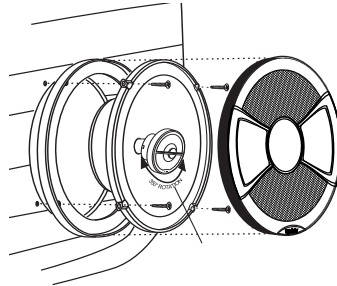
**Figure 3.** Mounting the 6412cf and 6412cfp.

*Note: The 6412cf and 6412cfp are designed to be installed under factory grilles. Consequently, no grilles are packaged with these models.*

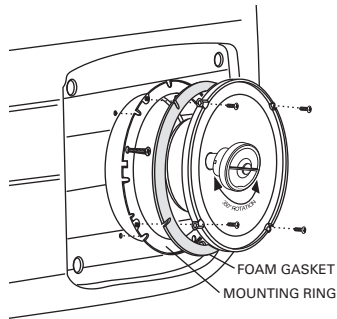
*Note: If you are replacing a DIN (oval basket) 4" x 6" speaker with a 6412cf, remove the speaker from the mounting bracket as shown in Figure 3.*



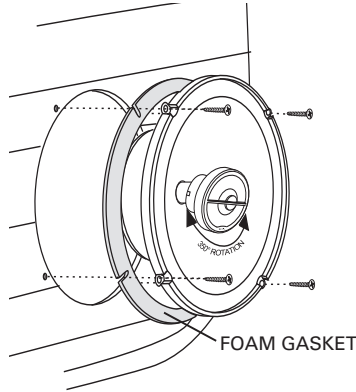
**Figure 4.** Mounting the 6012i or 6012si with the grille.



**Figure 5.** Mounting the 6012i or 6012si in 165mm speaker locations.



**Figure 6.** Mounting the 6012i or 6012si in standard speaker locations.



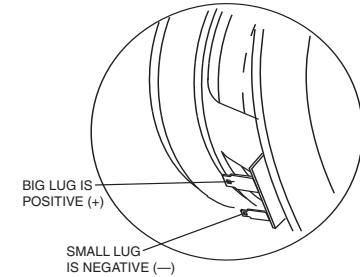
*UniPivot™ Tweeter: Rotate tweeter, so it is angled toward the listener, using the UniPivot feature on the 5012i, 6012i, 9612i and 6812cf.*

### INTERMOUNT III (PATENT NO. 6,505,705)

The 6012i and 6012si are packaged with two different speaker adaptor rings. These are used to install the 6-1/2" speakers in various vehicles. The metal ring can be mounted in many European vehicles, while the plastic ring can be mounted in many vehicles using 6-3/4" speaker locations or three-point mounting frames.

## CONNECTIONS

**Figure 7.** Connect the speakers to the amplifier observing proper polarity.



## SPECIFICATIONS

### 4012i

Type: 4" 2-Way  
Speaker Impedance: 4 Ohms  
Power Handling: 35W RMS, 105W Peak  
Frequency Response: 85Hz – 21kHz  
Sensitivity (2.83V, 1m): 91dB  
Mounting Depth: 1-7/8" (48mm)  
Cutout Diameter: 3-3/4" (96mm)

### 5012i

Type: 5-1/4" 2-Way  
Speaker Impedance: 4 Ohms  
Power Handling: 45W RMS, 135W Peak  
Frequency Response: 67Hz – 21kHz  
Sensitivity (2.83V, 1m): 91dB  
Mounting Depth: 2-1/4" (58mm)  
Cutout Diameter: 4-11/16" (120mm)

### 6012i

Type: 6-1/2" 2-Way  
Speaker Impedance: 4 Ohms  
Power Handling: 60W RMS, 180W Peak  
Frequency Response: 53Hz – 21kHz  
Sensitivity (2.83V, 1m): 92dB  
Mounting Depth: 2-1/16" (53mm)  
Cutout Diameter: 5" (127mm)

### 6012si

Type: 6-1/2" Shallow-Mount 2-Way  
Speaker Impedance: 4 Ohms  
Power Handling: 50W RMS, 150W Peak  
Frequency Response: 53Hz – 21kHz  
Sensitivity (2.83V, 1m): 92dB  
Mounting Depth: 1-15/16" (50mm)  
Cutout Diameter: 5" (127mm)

### 9612i

Type: 6" x 9" 2-Way  
Speaker Impedance: 4 Ohms  
Power Handling: 100W RMS, 300W Peak  
Frequency Response: 46Hz – 21kHz  
Sensitivity (2.83V, 1m): 92dB  
Mounting Depth: 3" (77mm)  
Cutout Diameter: 6-1/16" x 8-7/8" (154mm x 226mm)

### 9613i

Type: 6" x 9" 3-Way  
Speaker Impedance: 4 Ohms  
Power Handling: 100W RMS, 300W Peak  
Frequency Response: 46Hz – 21kHz  
Sensitivity (2.83V, 1m): 92dB  
Mounting Depth: 3" (77mm)  
Cutout Diameter: 6-1/16" x 8-7/8" (154mm x 226mm)

### 3012cf

Type: 3-1/2" 2-Way  
Speaker Impedance: 4 Ohms  
Power Handling: 25W RMS, 75W Peak  
Frequency Response: 85Hz – 21kHz  
Sensitivity (2.83V, 1m): 90dB  
Mounting Depth: 1-7/16" (37mm)  
Cutout Diameter: 3-1/16" (78mm)

### 6412cf

Type: 4" x 6" 2-Way  
Speaker Impedance: 4 Ohms  
Power Handling: 40W RMS, 120W Peak  
Frequency Response: 72Hz – 21kHz  
Sensitivity (2.83V, 1m): 91dB  
Mounting Depth: 1-15/16" (50mm)  
Cutout Diameter: 3-5/8" x 5-5/8" (93mm x 143mm)

### 6412cftp

Type: 4" x 6" 2-Way Plate  
Speaker Impedance: 4 Ohms  
Power Handling: 45W RMS, 135W Peak  
Frequency Response: 72Hz – 21kHz  
Sensitivity (2.83V, 1m): 91dB  
Mounting Depth: 1-15/16" (50mm)  
Cutout Diameter: 3-9/16" x 5-11/16" (91mm x 145mm)

### 6812cf

Type: 6" x 8" 5/8" x 7" 2-Way  
Speaker Impedance: 4 Ohms  
Power Handling: 60W RMS, 180W Peak  
Frequency Response: 49Hz – 21kHz  
Sensitivity (2.83V, 1m): 92dB  
Mounting Depth: 2-7/16" (62mm)  
Cutout Diameter: 5" x 7-3/16" (127mm x 183mm)

**A valid serial number is required for warranty coverage.**

Features, specifications and appearance are subject to change without notice.



Infinity Systems, 250 Crossways Park Drive, Woodbury, NY 11797 USA  
516.674.4463 • FAX 516.682.3523 • www.infinitysystems.com  
© 2005 Harman International Industries, Incorporated • Part No. REFME1/05  
H A Harman International Company

### Declaration of Conformity



We, Harman Consumer Group International  
2, route de Tours  
72500 Chateau-du-Loir  
France

declare in own responsibility that the products described in this owner's manual are in compliance with technical standards:

EN 61000-6-3:2001  
EN 61000-6-1:2001

Klaus Leberher  
Harman Consumer Group International  
Chateau-du-Loir, France 1/05

## Free Manuals Download Website

<http://myh66.com>

<http://usermanuals.us>

<http://www.somanuals.com>

<http://www.4manuals.cc>

<http://www.manual-lib.com>

<http://www.404manual.com>

<http://www.luxmanual.com>

<http://aubethermostatmanual.com>

Golf course search by state

<http://golfingnear.com>

Email search by domain

<http://emailbydomain.com>

Auto manuals search

<http://auto.somanuals.com>

TV manuals search

<http://tv.somanuals.com>