
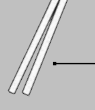
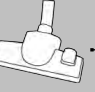







Thinking of you
Electrolux

**ZSH710
ZSH720
ZSH730**

Vacuum cleaner
Operating instructions

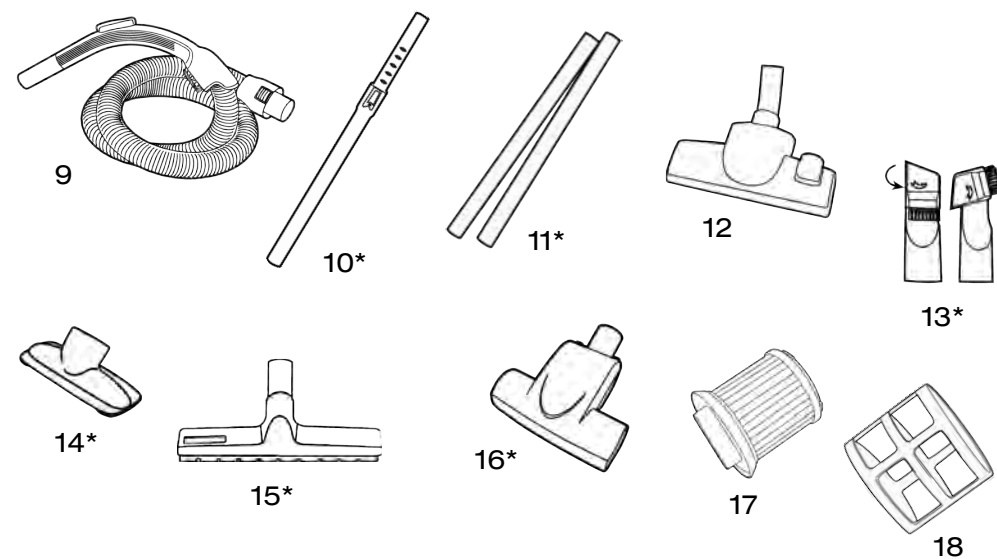
	ZSH710	ZSH720	ZSH730
		•	•
	•		
	•	•	•
			•
		•	•
	•	•	•
	•	•	•
		•	•

Thinking of you
Electrolux



English

Thank you for choosing an Electrolux Cyclone Power vacuum cleaner. These operating instructions cover all Cyclone Power models. This means that with your specific model, some accessories may not be included.



DESCRIPTION OF PARTS

- | | |
|-----------------------------|--|
| 1. Suction inlet | 12. Dual purpose floor nozzle |
| 2. Dust container indicator | 13. Combination crevice nozzle / brush * |
| 3. Variable power control | 14. Upholstery nozzle * |
| 4. Cable rewind button | 15. Hard floor nozzle * |
| 5. On/off switch | 16. Turbo nozzle * |
| 6. Wheel | 17. Cartridge filter |
| 7. Dust container | 18. Protector mesh |
| 8. Carrying handle | 19. Parking position |
| 9. Hose | |
| 10. Telescopic tube * | * Depending on the model |
| 11. Metal tubes * | |

IMPORTANT SAFEGUARDS

- Read this instruction booklet carefully.
- Before using the appliance, check that the mains power voltage corresponds to the voltage shown on the rating plate.
- Do not switch the appliance on if it appears to be faulty in any way or it has a damaged cord or plug. Do not try to repair the appliance by yourself. For repairs and accessories we are at your service from Monday to Friday from 8am to 6pm
- Always remove the plug from the power socket when the appliance is not in use and before carrying out any cleaning or maintenance operations.
- Never leave the appliance unattended when it is switched on. Keep the appliance out of reach of children.
- This appliance is for domestic use only. Use as described in this instruction booklet.
- Do not pull the appliance by the cord. Do not unplug by pulling on the cord. Do not use the cleaner with a damaged cable. If the cable damaged, it should be replaced at a service center. This is not covered by the warranty.
- Do not use appliance on wet surfaces or to vacuum liquids, mud, ash and burning cigarette butts. Do not vacuum up any highly flammable or explosive substances or gases.

These materials can cause serious damage to the motor - a damage which is not covered by the warranty.

- Do not unplug the vacuum cleaner with wet hands.
- Do not operate the vacuum cleaner too close to heaters and radiators, stoves etc.

- Before you start using the vacuum cleaner, please remove large or sharp objects from the floor to prevent damage to the dust container and hose.

INSTRUCTIONS FOR USE

- Before placing into operation make certain that the filters are in the proper position.
- 20 To connect the hose into the suction inlet push it until it clicks.
- 20 To disconnect the hose from the suction inlet push the button at the end of the hose.
- Unwind a sufficient length of cable and insert the plug into the power socket. A YELLOW mark on the power cable shows the ideal cable length. Do not extend the cable beyond the RED mark.
- Press the ON/OFF button to switch the appliance on. On initial start up full power is reached after approximately 1-2 seconds.
- To rewind the power cable, press the rewind button with foot, and guide the cable with hand to ensure that it does not whip causing damage.
- By moving the variable power control, the suction power can be adjusted.

MAINTENANCE

REMOVING THE CONTENTS OF THE DUST CONTAINER

Never operate the cleaner without the dust container installed.

It is quite normal for the dustbin indicator to activate whilst using the cleaner. Therefore before you commence cleaning, turn the cleaner on without the tools attached, if the indicator is activated then check for dirty filters and clean if necessary.

- 32 If the dustbin indicator is activated than firstly check the air inlet channel of the appliance. If it is clogged by big pieces of paper, dust, hair or other materials then clean it. If after cleaning the dustbin indicator stays activated check the HEPA.

- 21 Remove the dust container from the cleaner.
- 22 Remove the filter set from the dust container by taking it in the way indicated in the icon.
- 23 Remove the contents of the dust container.
- 22 Put the filter set back into the dust container.
- 21 Put the dust container back into the cleaner.

CLEANING THE FILTERS

- Filters should be replaced at least twice a year or when they become visibly soiled.
- Disconnect from electrical outlet before changing the filters.



CB 100



AC 01



FL 180



TU 21



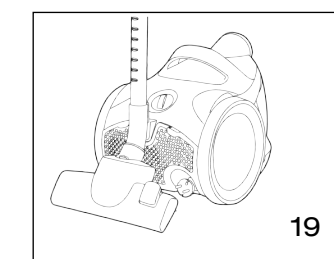
BSL 20



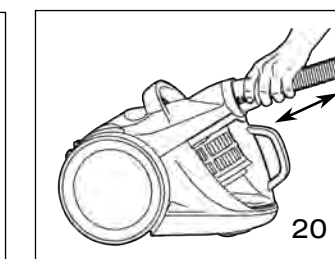
AD 15

From the Electrolux Group

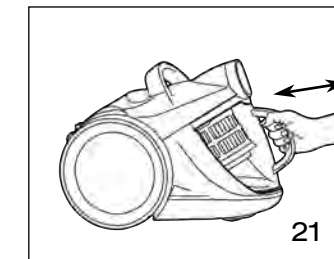
www.menalux.com



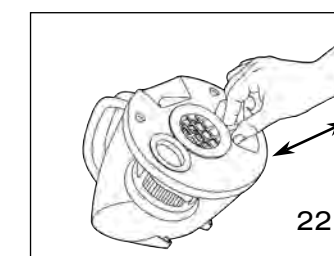
19



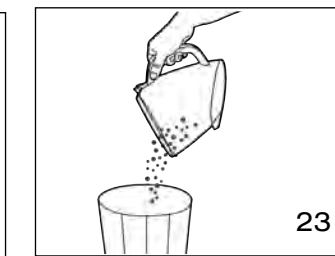
20



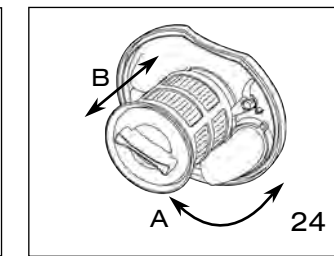
21



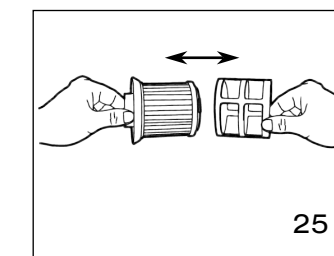
22



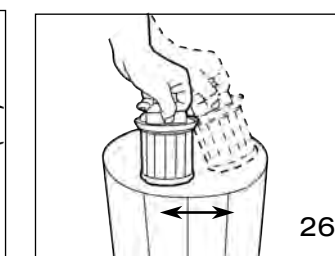
23



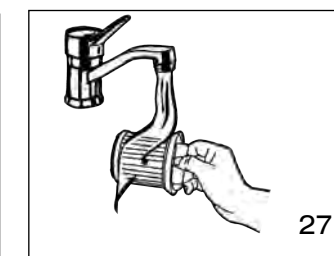
24



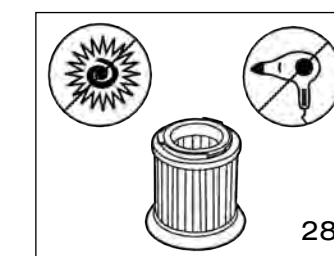
25



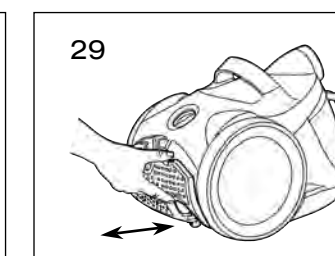
26



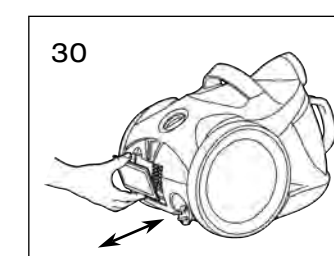
27



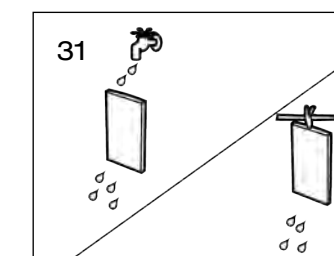
28



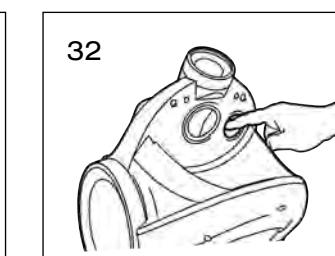
29



30



31



32

* Depending on the model

Free Manuals Download Website

<http://myh66.com>

<http://usermanuals.us>

<http://www.somanuals.com>

<http://www.4manuals.cc>

<http://www.manual-lib.com>

<http://www.404manual.com>

<http://www.luxmanual.com>

<http://aubethermostatmanual.com>

Golf course search by state

<http://golfingnear.com>

Email search by domain

<http://emailbydomain.com>

Auto manuals search

<http://auto.somanuals.com>

TV manuals search

<http://tv.somanuals.com>