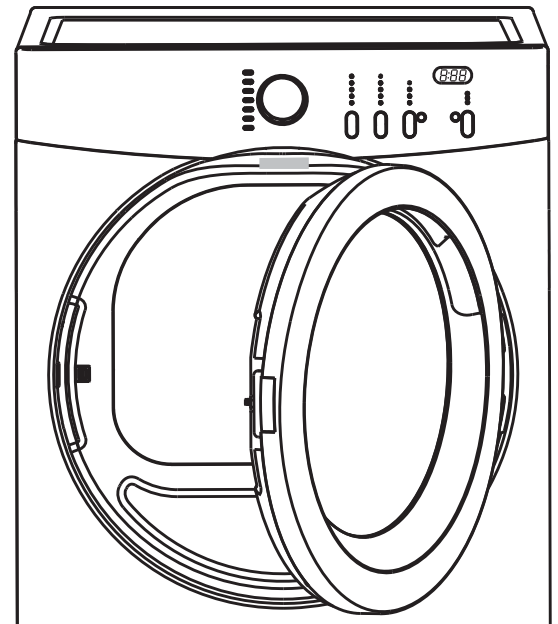


**User
Manual**

**Tumble
Dryer**



MODEL TYPES:
XDEX75NZHS
XDEX76NZHS

Thank you for selecting our appliance

We wish you lots of enjoyment with your new appliance and we hope that you will consider our brand again when purchasing household appliances.

Please read this user manual carefully and keep it throughout the product life cycle as a reference document. The user manual should be passed on to any future owner of the appliance.

The following symbols are used in this manual:



Important information concerning your personal safety and information on how to avoid damaging the appliance.



General information and tips



Environmental information

Content

Safety information - - - - -	3-4	What to do if... - - - - -	10
Description of the appliance - - - - -	4	Technical data - - - - -	11
Control panel and functions - - - - -	5-6	Dimensions - - - - -	11
Programme table - - - - -	6-7	Installation instruction - - - - -	12-15
Drying Hints - - - - -	7-8	Environmental concerns - - - - -	16
Before the first use - - - - -	8	Warranty- - - - - -	17
Operating Sequence - - - - -	9	Notes - - - - -	18
Care and cleaning - - - - -	9		

Important Safety Information

In the interest of your safety and to ensure the correct use, before installing and first using the appliance, read this user manual carefully, including its hints and warnings. To avoid unnecessary mistakes and accidents, it is important to ensure that all people using the appliance are thoroughly familiar with its operation and safety features. Save these instructions and make sure that they remain with the appliance if it is moved or sold, so that everyone using it through its life will be properly informed on appliance use and safety.

General safety

- It is dangerous to alter the specifications or attempt to modify this product in any way.
- This appliance is not intended for use by persons (including children) with reduced physical, sensory or lack of experience and knowledge, unless they have been given supervision or instruction concerning use of the appliance by a person responsible for their safety.
- Make sure that small pets do not climb into the drum. To avoid this, please check into the drum before using.
- Any objects such as coins, safety pins, nails, screws, stones or any other hard, sharp material can cause extensive damage and must not be placed into the machine.
- In order to avoid danger of fires caused by excessive drying, do not use appliance to dry the following items: Cushions, quilts and the like (these items accumulate heat).
- Items such as foam rubber (latex foam), shower caps, waterproof textiles, rubber backed articles and clothes or pillows fitted with foam rubber pads should not be dried in the tumble dryer.
- Always unplug the appliance after use, clean and maintenance.
- Under no circumstances should you attempt to repair the machine yourself. Repairs carried out by inexperienced persons may cause injury or serious malfunctioning. Contact your local Service Centre. Always insist on genuine spare parts.
- Items that have been soiled with substances such as cooking oil acetone, petrol, kerosene, spot removers, turpentine, waxes and wax removers should be washed in hot water with an extra amount of detergent before being dried in the tumble dryer.
- **Danger of explosion:** Never tumble dry items that have been in contact with inflammable solvents (petrol, methylated spirits, dry cleaning fluid and the like). As these substance are volatile, they could cause an explosion. Only tumble dry items washed with water.
- **Risk of fire:** items that have been spotted or soaked with vegetable or cooking oil constitute a fire hazard and should not be placed in the tumble dryer.

- Ensure you have adequate ventilation in the installation room to avoid the back flow of gases into the room from appliances burning other fuels, including open fires.
- If you have washed your laundry with stain remover you must execute an extra rinse cycle before loading your tumble dryer.
- Please make sure that no gas lighters or matches have accidentally been left in pockets of garments to be loaded into appliance.

WARNING! - RISK OF FIRE!

Never stop a tumble dry before the end of the drying cycle unless all items are quickly removed and spread out so that the heat is dissipated.

Installation

- This appliance is heavy. Care should be taken when moving it.
- When unpacking the appliance, check that it is not damaged. If in doubt, do not use it and contact the Service Centre.
- All packing must be removed before use.
- Serious damage can occur to the product and to property if this is not adhered to.
- See relevant section in the user manual.
- The final part of a tumble dryer cycle occurs without heat (cool down cycle) to ensure that the items are left at a temperature that ensures that items will not be damaged.
- Any electrical work required to install this appliance should be carried out by a qualified electrician or competent person.
- Care must be taken to ensure that the appliance does not stand on the electrical supply cable.
- If the machine is situated on a carpeted floor, please adjust the feet in order to allow air to circulate freely.
- After having installed the appliance, check that it is not pressing or standing on its electrical supply cable or/and drain hose.

! Important Safety Information, continued

Use

- This appliance is designed for domestic use. It must not be used for purposes other than those for which it was designed.
- Only wash fabrics which are designed to be machine dried. Follow the instructions on each garment label.
- Do not dry unwashed items in the tumble dryer.
- Do not overload the appliance. See the relevant section in the user manual.
- Clothes which are dripping wet should not be placed in the dryer.
- Garments which have been in contact with volatile petroleum products should not be machine dried. If volatile cleaning fluids are used, care should be taken to ensure that the fluid is removed from the garment before placing in the machine.
- Never pull the power supply cable to remove the plug from the socket; always take hold of the plug itself.
- Never use the tumble dryer if the power supply cable, the control panel, the working surface or the base are damaged so that the inside of the tumble dryer is accessible.
- Fabric softeners, or similar products should be used as specified by the fabric softener instructions.

Child safety

- This machine is not intended for use by young children or infirm persons without supervision.
- Children should be supervised to ensure that they do not play with the appliance.
- The packaging components (e.g. plastic film, polystyrene) can be dangerous to children - danger of suffocation! Keep them out of children's reach.
- Keep all detergents in a safe place out of children's reach.
- Make sure that children or pets do not climb into the drum.

Description of the appliance

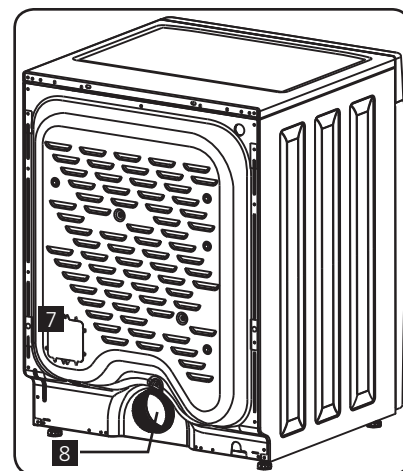
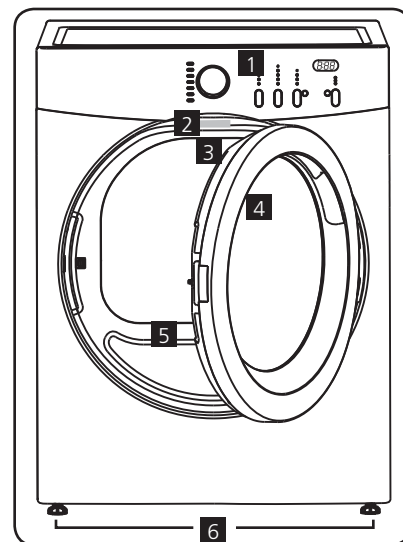
- 1 Control panel
- 2 Serial number / Rating plate
- 3 Drum lamp
- 4 Door opening handle
- 5 Lint («fluff») filter
- 6 Adjustable feet
- 7 Electrical terminal cover
- 8 Rear vent outlet

Drum Lamp

The drum light will turn on when the appliance door is opened and remain lighted for 4 minutes or until the door is closed.

IMPORTANT!

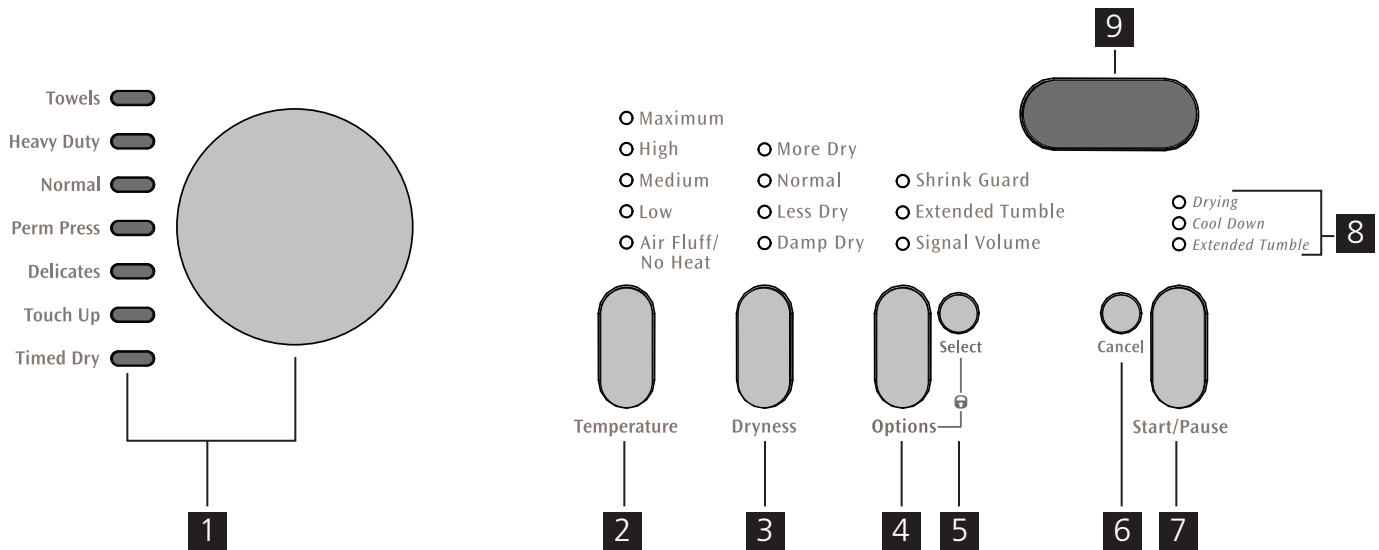
The bulb for the interior lighting must be changed by our Customer Care Department.



Control Panel

i Information

Henceforth, the programme selector dial, the display, the different buttons and the door pilot light will be indicated in all the book with the relevant numbers given in this picture.



1 Programme Selector Dial and Programme Indicator Pilot Lights	The programme selector dial allows to select a drying programme. It can be turned either clockwise or anticlockwise. (See «Programme Table» for more details about the drying programmes).
2 Temperature Button	This button allows you to change the drying temperature according to the fiber content of fabrics to be dried. (See «Drying hints» for more details). <ul style="list-style-type: none"> • MAXIMUM: Recommended for durable fabrics and towels. • HIGH: Recommended for most cotton fabrics. • MEDIUM: Recommended for wrinkle free, easy care, lightweight fabrics and bulky loads. • LOW: Recommended for delicate fabrics. • AIR FLUFF/NO HEAT: This setting (no heat) should only be used with a Timed Dry cycle to dry items containing feathers, down, foam rubber, plastics or rubber-like materials; to refresh clothing, stuffed animal, pillows or blankets; and to dust draperies. Note: Not all temperatures are available in every programme. For best results, follow the care label instructions.
3 Dryness Level Button	This button allows you to change the desired dryness level of the fabrics at the end of an automatic programme. (See «Drying hints» for more details). <ul style="list-style-type: none"> • MORE DRY: If load is too damp at the end of the programme, select this level for similar loads in the future. • NORMAL: Select this dryness level for most automatic programmes. • LESS DRY: If load is over dried at the end of the programme, select this level for similar loads in the future. • DAMP DRY: Select this dryness level for items you wish to partially dry before hanging or ironing. Note: Not all dryness levels are available in every programme. For best results, follow the care label instructions. Dryness level is not selectable on Timed Dry Programmes.

Control Panel, continued

4	Options Button	<p>By pressing this button you can select one of the following options:</p> <ul style="list-style-type: none"> • SHRINK GUARD: Select Shrink Guard to lower the initial drying temperature to protect fabrics from overdrying. • EXTENDED TUMBLE: Select Extended Tumble if the dried load might not be removed promptly at the end of the cycle. The dry load will continue tumbling without heat to help reduce wrinkling. When the Signal is selected, a beep will be heard periodically. The load may be removed any time during Extended Tumble. • SIGNAL VOLUME: If you select this option, an acoustic signal will sound when setting a drying programme, in case of wrong selection, in the event of operating problems and at the end of the programme. This signal has a three-level-adjustable volume or can be turned off. Choose the desired volume level or turn it off by pressing the button 5.
5	Select Button	By pressing this button you can confirm or delete the options selected by means of button 4 .
6	Cancel/Reset Button	Press this button to stop the drying programme.
7	Start/Pause Button	Press this button to start, pause or restart a drying programme.
8	Indicator Lights	<p>The following pilot lights indicate which drying phase the appliance is carrying out:</p> <ul style="list-style-type: none"> • DRYING • COOL DOWN • EXTENDED TUMBLE (if option is selected)
9	Display	<p>The display shows the following information:</p> <ul style="list-style-type: none"> • The duration of the selected programme: After selecting a programme the duration of the selected programme appears on the display. During the programme, the time remaining is updated every minute. • Message «PAU» (PAUSE): It is displayed alternately with the estimated time remaining when the cycle is paused. • Message «LOC» (LOCK): It is displayed alternately with the estimated cycle time when you lock the controls.

Programme Table

Drying Programmes / Factory Preset Levels and Options Load Capacity / Type of Laundry	Available Temperatures	Available Dryness Levels	Available Options
TOWELS (Programme duration approximately 60 minutes) Temperature: Maximum Dryness Level: More Dry Options: Signal Volume Select this Auto Dry programme for towel loads.	Maximum High	More Dry Normal Dry	Signal volume
HEAVY DUTY (Programme duration approximately 45 minutes) Temperature: Maximum Dryness Level: Normal Dry Options: Signal Volume Select this Auto Dry programme for sturdy work clothes.	Maximum High Medium Low	More Dry Normal Dry Less Dry Damp Dry	Shrink Guard Extended Tumble Signal Volume
NORMAL (Programme duration approximately 50 minutes) Temperature: Maximum Dryness Level: Normal Dry Options: Signal Volume Select this Auto Dry programme for cotton items.	Maximum High Medium Low	More Dry Normal Dry Less Dry Damp Dry	Shrink Guard Extended Tumble Signal Volume

Programme Table, continued

Drying Programmes / Factory Preset Levels and Options Load Capacity / Type of Laundry	Available Temperatures	Available Dryness Levels	Available Options
PERM PRESS (Programme duration approximately 40 minutes) Temperature: Medium Dryness Level: Normal Dry Options: Signal Volume Select this Auto Dry programme for cotton and blends with a no-iron finish.	High Medium Low	Normal Dry Less Dry Damp Dry	Shrink Guard Extended Tumble Signal Volume
DELICATES (Programme duration approximately 20 minutes) Temperature: Low Dryness Level: Less Dry Options: Shrink Guard, Extended Tumble, Signal Volume Select this Auto Dry programme for knits and delicate items.	Medium Low	Normal Dry Less Dry Damp Dry	Shrink Guard Extended Tumble Signal Volume
TOUCH UP (Programme duration approximately 15 minutes) Temperature: Low Dryness Level: Not available Options: Signal Volume Select this Timed Dry programme for cotton items.	Low	Not Available	Extended Tumble Signal Volume
TIMED DRY (Programme duration approximately 15 to 90 minutes) Temperature: High Dryness Level: Not available Options: Signal Volume Select this Timed Dry programme for cotton items.	Maximum High Medium Low Air Fluff/No Heat	Not Available	Shrink Guard Extended Tumble Signal Volume

Drying Hints

Before loading the laundry

Never tumble dry the following:

Particularly delicate items such as net curtains, woollen, silk, fabrics with metal trim, nylon tights, bulky materials such as anoraks, blankets, eiderdowns, sleeping bags, feather quilts and any items containing rubber foam or materials similar to rubber foam.

- Always follow the instructions on garment labels:
 - may be tumble dried
 - normal drying (high temperature)
 - delicate drying (low temperature)
 - do not tumble dry
- Close pillowcases and covers with fasteners to prevent small laundry items getting tangled inside them. Close press studs, zips and hooks and tie belts and apron strings.
- Sort laundry according to type and degree of drying required.
- Do not over-dry laundry, this avoids creasing and saves energy.

- Avoid drying dark clothes with light coloured fluffy items such as towels as they could attract the fluff.
- The laundry must be thoroughly spun before tumble drying.
- Easy-care items, too, e.g. shirts, should be briefly pre-spun before drying (depending on crease resistance approx. 30 seconds or using the special brief spin programme of your washing machine).
- Knitted textiles (knitted underwear) may shrink a little during drying. Please do not overdry items of this type. It is advisable to allow for shrinkage when choosing the size of new purchases.
- To avoid a static charge when drying is completed, use either a fabric softener when you are washing the laundry or a fabric conditioner specifically for tumble dryers.
- Remove the laundry when the dryer has finished drying.
- If individual items are still damp after drying, set a brief post-drying time, for at least 30 minutes. This will be necessary particularly for multilayered items (e.g. collars, pockets, etc.).

Drying Hints, continued

Make sure that no metal objects are left in the laundry (e.g. hair clips, safety pins, pins).

Button up pillowcases, close zip fasteners, hooks and poppers. Tie any belts or long tapes.

Remove persistent stains before washing.

Rub particularly soiled areas with a special detergent or detergent paste. Treat curtains with special care. Remove hooks or tie them up in a bag or net.

Maximum loads

Recommended loads are indicated in the programme charts.

General rules:

Cotton, linen: drum full but not too tightly packed;

Synthetics: drum no more than half full;

Delicate fabrics and woollens: drum no more than one third full.

Try to load to the maximum capacity of the machine as small loads are uneconomical.

Laundry weights

The following weights are indicative:

bathrobe	1200 g
napkin	100 g
quilt cover	700 g
sheet	500 g
pillow case	200 g
tablecloth	250 g
towelling towel	200 g
tea cloth	100 g
night dress	200 g
ladies' briefs	100 g
man's work shirt	600 g
man's shirt	200 g
man's pyjamas	500 g
blouse	100 g
man's underpants	100 g

Before the First Use

WARNING!

Ensure that the electrical connections comply with the installation instructions.

IMPORTANT!

Remove any material from the drum.

IMPORTANT!

Before using your tumble dryer for the first time, we recommend that you place a few damp cloths inside the appliance and dry for 30 minutes. There may be dust inside a brand new tumble dryer.

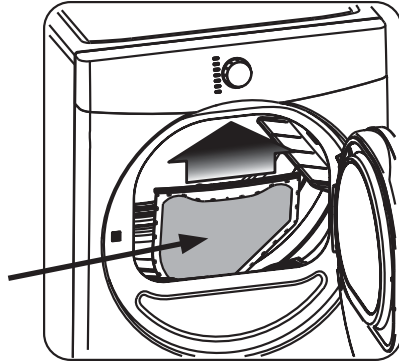
Child Safety Lock

To avoid having someone accidentally start the dryer, press the buttons **4** and **5** at the same time and hold about 10 seconds until «**LOC**» is displayed alternately with the estimated cycle time. To unlock the controls, press Options and Select at the same time and hold about 10 seconds until «**LOC**» is no longer displayed.

Before setting another programme, it is necessary to disable this function.

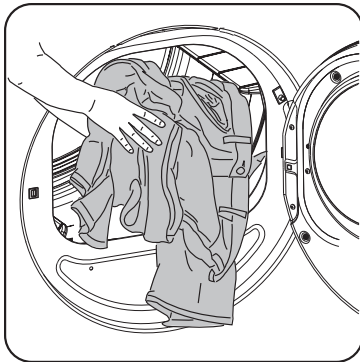
Operating Sequence

- 1. Check that the lint filter is clean and in place.**



- 2. Load the dryer and close the door.**

Load items loosely. The average wet load will fill the drum 1/3 to 1/2 full. Items need room to tumble freely for even drying and less wrinkling. If desired, place a dryer fabric softener sheet on top of the load at the beginning of the cycle. To save energy and time and avoid un-



even drying and wrinkling, do not overload the dryer. When drying large items, dry only two or three items at a time. Fill out the load with small and medium sized items. For delicate or very small loads, add two or three similar items to improve tumbling action.

- 3. Select the appropriate programme and settings for each load.**

Turn the programme selector dial (1) in either direction to select the programme desired. The estimated drying time

for Auto Dry cycles or the actual drying time for Timed Dry cycles will be displayed. A suitable drying temperature, dryness level and options will automatically be indicated for the cycle selected. See the «Programme Table» for more details. To change the drying temperature and dryness level, press the **Temperature (2)** and **Dryness (3)** buttons to scroll to the desired settings. To select or delete an option, press **Options (4)**; then, while the indicator is blinking, press **Select (5)**. The indicator will light when the option has been selected. It will no longer be lighted when the option has been deleted. Adjustments made to a programme will be remembered and recalled each time that programme is selected in the future. To return to factory settings, press the **Start/Pause (7)** and **Select (5)** buttons at the same time and hold until the signal sounds.

- 4. Start the programme by pressing button 7.**

Close the door and press **Start (7)** to begin the programme. The dryer will not operate with the door open. To interrupt the programme, press **Pause (7)**; press **Start (7)** to resume the programme. Press **Cancel (6)** to stop the programme. If changes to the programme, temperature, dryness level or options are attempted after the programme starts, the lights will blink and a signal will beep. To change the programme once it has begun, press **Cancel (6)** and select a new programme. To change the temperature, dryness level or options once the programme has begun, press **Pause (7)** and make the new selections. A signal will sound at the end of the cycle if the signal volume option has been selected.

- 5. When the programme ends...**

- Remove the items promptly and hang or fold.
- You are advised to unplug the appliance.
- Clean the filter after every drying programme. A clean filter ensures correct functioning of the appliance.

Care and Cleaning

⚠ IMPORTANT:

You must DISCONNECT the appliance from the electricity supply, before you can carry out any cleaning or maintenance work.

External cleaning

Use only soap and water and then dry thoroughly.

Important: do not use methylated spirit, diluents or similar products.

Cleaning the filter

Your dryer will only function well if the filter is clean.

Clean the lint («fluff») filter after every load. Lint build-up on the filter restricts air flow, which causes longer drying times. The filter is located at the bottom of the door opening.

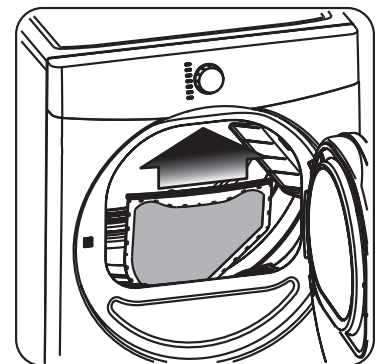
Remove filter by pulling straight up. Remove the lint and replace the filter.

Cleaning the drum and moisture probes

Occasionally a waxy build-up may form on the lint filter and/or moisture sensing bars in the back of the drum from using dryer-added fabric softener sheets. To remove this build-up, wash them with warm, soapy water. Dry the filter thoroughly and replace. Do not operate the dryer without the lint filter in place.

⚠ CAUTION!

Do not use furniture cleaners or aggressive cleaning agents to clean the machine. Use a damp cloth to wipe down the operating screen and housing.



What to do if...

IMPORTANT!

Certain problems are due to lack of simple maintenance or oversights, which can be solved easily without calling out an engineer. Before contacting your local Service Centre, please carry out the checks listed below.

During appliance operation it is possible that few acoustic signals sound to indicate that the appliance is not working.

Once the problem has been eliminated, press the button **7** to restart the programme. If after all checks, the problem persists, contact your local Service Centre.

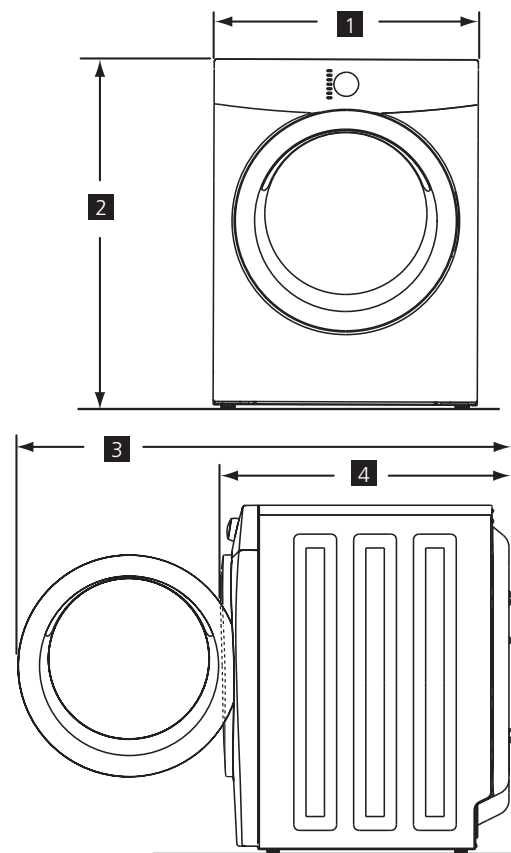
Malfunction	Possible Cause / Solution
Dryer does not start.	<p>Electrical power cord is not securely plugged in or plug may be loose.</p> <ul style="list-style-type: none"> • Make sure the plug fits tightly in wall outlet. <p>House fuse blown or circuit breaker tripped.</p> <ul style="list-style-type: none"> • Reset circuit breaker or replace fuse. • Make sure electrical line is not overloaded and the dryer is on a separate circuit. <p>Thermal limiter tripped.</p> <ul style="list-style-type: none"> • Call authorized service person for replacement.
Dryer runs but won't heat.	<p>There are 2 house fuses in the dryer circuit. If 1 of the 2 fuses is blown, the drum may turn but the heater will not operate. (electric models).</p> <ul style="list-style-type: none"> • Replace fuse.
Drying cycle takes too long, outside of the dryer feels too hot or smells hot.	<p>Lint filter is clogged with lint.</p> <ul style="list-style-type: none"> • Make sure all lint has been removed from the dryer lint filter before starting each cycle. <p>Exhaust duct requirements have not been met.</p> <ul style="list-style-type: none"> • Exhaust duct must be at least 100 mm in diameter and made of rigid or semi-rigid metal. • When in place, the duct must have no more than two 90° bends and must not exceed 2 m. <p>Drying procedures have not been followed.</p> <ul style="list-style-type: none"> • See "Operating Instructions." <p>Outside exhaust hood or exhaust duct may be clogged or restricted.</p> <ul style="list-style-type: none"> • Clean out any obstruction. <p>High humidity.</p> <ul style="list-style-type: none"> • Use a dehumidifier near the dryer.
Excessive wrinkling.	<p>Dryer is overloaded.</p> <ul style="list-style-type: none"> • Do not overload. See "Operating Instructions." <p>Items left in dryer too long.</p> <ul style="list-style-type: none"> • Remove items as soon as cycle ends. <p>Insufficient sorting of items.</p> <ul style="list-style-type: none"> • See "Operating Instructions." <p>Drying temperature too high.</p> <ul style="list-style-type: none"> • Follow fabric care label instructions.

Technical data

Electrical connection information	Information on the electrical connection is given on the rating plate above the appliance door opening.	
Voltage [V]	230-240, single phase [50 Hz] 220-230, single phase [60 Hz]	
Connected load	4500 watts	
Maximum dry load	Cotton	10 kg
	Synthetics	4 kg
Usage range in domestic setting	+ 5°C + 35°C	
Frequency (Hz)	50 - 60	

Dimensions

1	dryer width	68.5 cm (27")
2	dryer height	91.5 cm (36")
3	dryer depth with loading door open	129 cm (50.8")
4	dryer depth with loading door closed	75.5 cm (29.75")



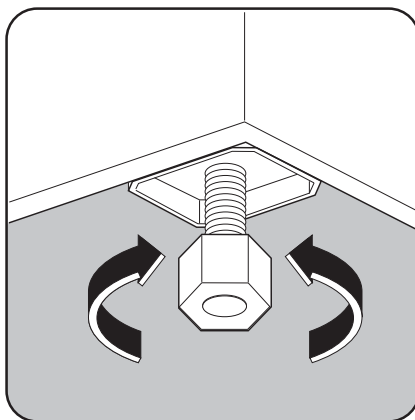
Installation

Positioning

It is recommended that, for your convenience, the machine is positioned close to your washing machine.

The tumble dryer must be installed in a clean place, where dirt does not build up. Make sure there are no obstructing items or material near the air-intake louvres provided at the back (e.g. paper, rags etc.).

To keep vibration and noise to a minimum when the dryer is in use, it should be placed on a firm, level surface. Once in its permanent operating position, check that the dryer is absolutely level with the aid of a spirit level. If it is not, raise or lower the feet until it is.



The feet must never be removed.

Do not restrict the floor clearance through deeppile carpets, strips of wood or similar. This might cause heat build-up which would interfere with the operation of the appliance.

Venting

Whilst drying, the tumble dryer will expel a certain amount of warm, very moist air, and this should be removed from the room as quickly as possible to prevent condensation. Carry the dryer's exhaust outside via a 100 mm diameter venting system ending at a fixed ventilation grille fitted to an exterior wall. The dryer must be exhausted outdoors. Do not exhaust dryer into a chimney, a wall, a ceiling, an attic, a crawl space or any concealed space of a building. A clothes dryer produces combustible lint. If the dryer is not exhausted outdoors, some fine lint will be expelled into the laundry area. An accumulation of lint in any area of the home can create a health and fire hazard.

! WARNING!

It is important not to connect the vent hose to, for example, a cooker hood, or a chimney or flue pipe designed to carry the exhaust from a fuel burning appliance.



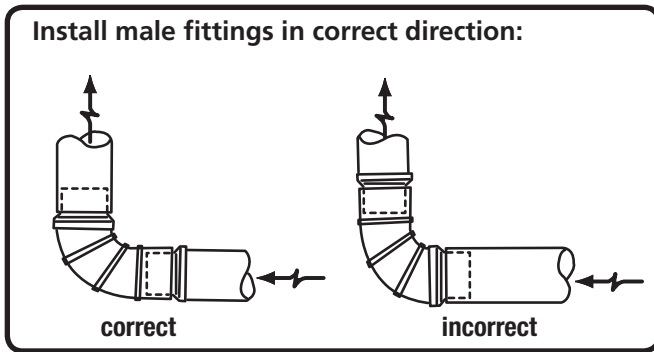
Use only 100 mm diameter rigid or flexible metal duct and approved vent hood which has a swing-out damper(s) that open when the dryer is in operation. When the dryer stops, the dampers automatically close to prevent drafts and the entrance of insects and rodents. To avoid restricting the outlet, maintain a minimum of 30 cm clearance between the vent hood and the ground or any other obstruction.

! WARNING!

The appliance must not be installed behind the lockable door, a sliding door or a door with a hinge on the opposite side to that of the appliance.

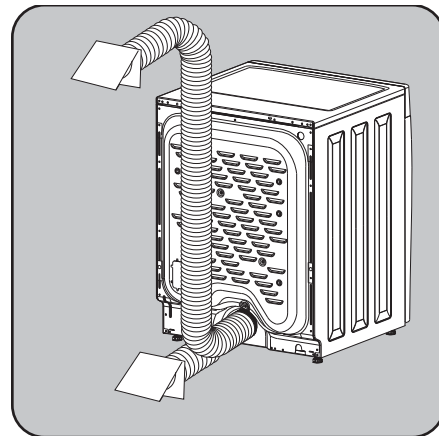
Venting, continued

Do not screen the exhaust ends of the vent system, or use any screws, rivets or other fasteners that extend into the duct to assemble the exhaust system. Lint can become caught in the screen, on the screws or rivets, clogging the duct work and creating a fire hazard as well as increasing drying times. Use an approved vent hood to terminate the duct outdoors, and seal all joints with metal foil duct tape. All male duct pipe fittings MUST be installed downstream with the flow of air.



Exceeding the length of duct pipe or number of elbows allowed in the “MAXIMUM LENGTH” chart can cause an accumulation of lint in the exhaust system. Plugging the system could create a fire hazard, as well as increase drying times.

Number of 90° turns	MAXIMUM LENGTH of 100mm Rigid Metal Duct	
	VENT HOOD TYPE	
	(Preferred)	
	100 mm	65 mm
0	19.5 m	14.6 m
1	15.9 m	12.2 m
2	13.5 m	9.8 m
3	9.8 m	7.3 m
4	9.5 m	4.9 m



If installing flexible metal (semi-rigid) venting, do not exceed 2 m total duct length.

Electrical connection

This machine is designed to operate on a 230-240 V or 220-230 V, single phase, 50 or 60 Hz (depending on country of final destination). Check that your domestic electrical installation can take the maximum load required (4,5 Kw) also taking into account any other appliances in use.

Connect the machine to an earthed socket, in accordance with current wiring regulations.

⚠ WARNING!

The manufacturer declines any responsibility for damage or injury through failure to comply with the above safety precautions. Should the appliance power supply cable need to be installed or replaced, this must be carried out by our Service Center.

IMPORTANT!

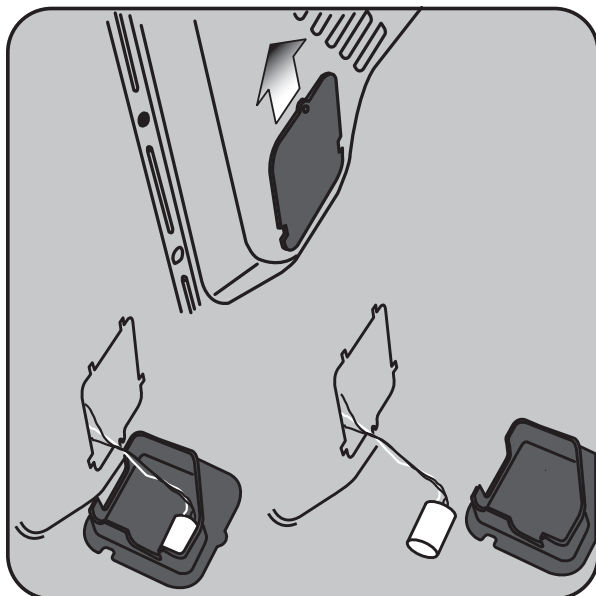
The power supply cable must be accessible after installing the machine. If the flexible cord is provided without plug, the appliance must be provided an accessible all pole disconnection. The nominal cross-sectional area of conductors must have a value between 2,5mm² - 4,0mm².

Installing power supply cord

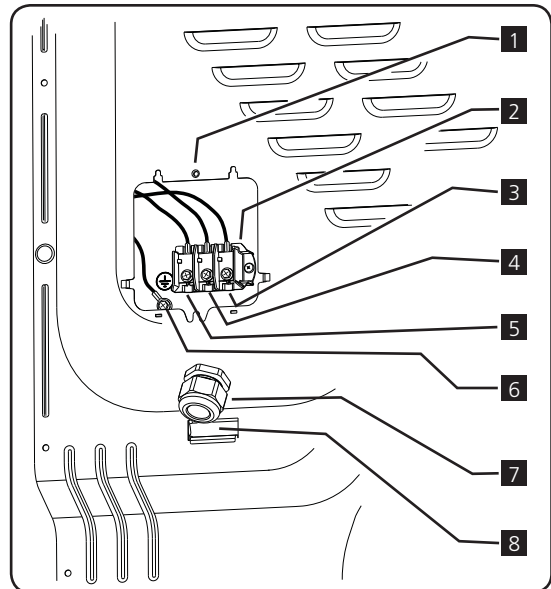
1. Turn off power supply to outlet.
2. Remove the screw (1) securing the terminal block access cover in the lower corner on the back of the dryer.
3. Slide cover upward approximately 1 mm and slowly pull it away from the back panel.

IMPORTANT!

An electrical supply line filter is attached to the inside recess of the terminal block access cover. The terminal block access cover may be temporarily removed from the line filter in order to ease installation of power supply cord.



- 1 Access cover screw
- 2 Terminal block
- 3 Neutral ("N" terminal)
- 4 Earth/Ground ("⊕" terminal)
- 5 Live ("L" terminal)
- 6 Internal ground (GREEN screw)
- 7 Strain relief
- 8 Terminal screw recovery slot



4. Remove the strain relief cap nut (7) and thread the dryer power cord through it.
5. Continue threading the power supply cord through the strain relief below the terminal access, temporarily leaving the cap nut loose at this time.
6. Attach the power cord neutral conductor and one of the BLACK wires from the line filter to the "N" terminal (3) on the terminal block. Tighten the screw securely.

i NOTE

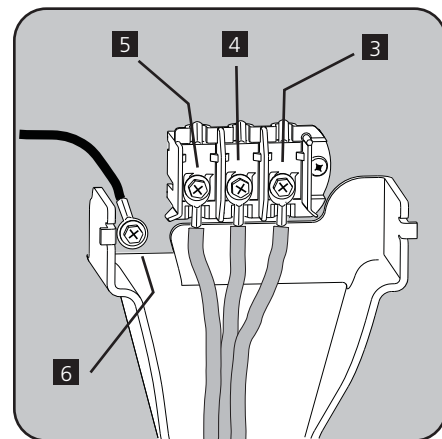
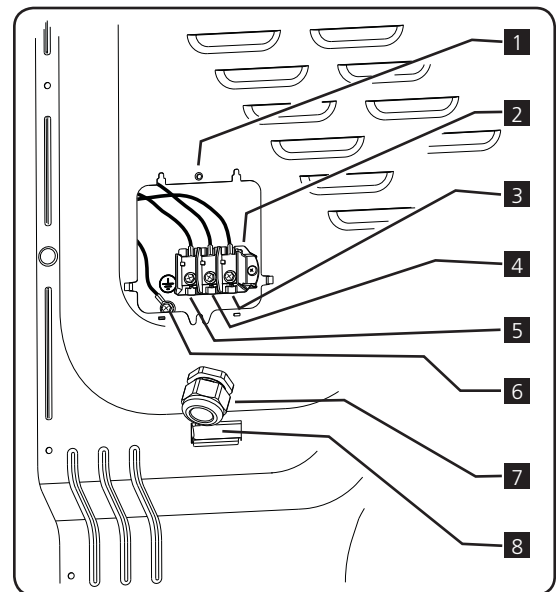
If a terminal screw falls during cord installation, it can be retrieved in the terminal screw recovery slot (8) below the access panel.

7. Attach the power cord ground (earth) conductor and the CLEAR-coated wire to the "⊕" terminal (4) on the terminal block. Tighten the screw securely.
8. Attach the power cord "live" conductor and the other BLACK wire to the "L" terminal (5) on the terminal block. Tighten the screw securely.
9. Slide the strain relief cap nut up the cord and tighten securely on the strain relief threads.
10. Snap line filter back into terminal block access cover.
11. Reinsert terminal block cover and slide downward slightly, ensuring lower retaining tabs are in place. Reinstall screw removed earlier.

IMPORTANT!

Supplied strain relief fits supply cords ranging from 11.4 mm to 18.0 mm. If your installation requires a cord outside these dimension parameters, purchase and install the appropriate strain relief from a local supply store.

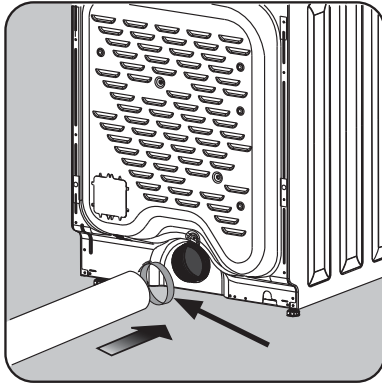
- | | |
|---|-------------------------------|
| 1 | Access cover screw |
| 2 | Terminal block |
| 3 | Neutral ("N" terminal) |
| 4 | Earth/Ground ("⊕" terminal) |
| 5 | Live ("L" terminal) |
| 6 | Internal ground (GREEN screw) |
| 7 | Strain relief |
| 8 | Terminal screw recovery slot |



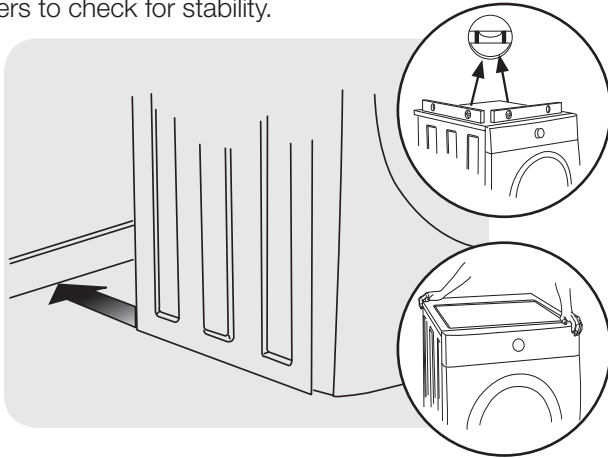
General Installation

1. Connect the exhaust duct to the outside exhaust system.

Use of a 100 cm clamp is recommended to connect the dryer to the exhaust vent system. Use metal foil tape to seal all other joints.



2. Carefully slide the dryer to its final position. Adjust one or more of the legs until the dryer is resting solidly on all four legs. Place a level on top of the dryer. The dryer **MUST** be level and resting solidly on all four legs. Rock alternating corners to check for stability.



! IMPORTANT:

Be sure the power is off at a circuit breaker/fuse box before plugging the power cord into an outlet.


3. Plug the power cord into a grounded outlet.
4. Turn on the power at the circuit breaker/fuse box.
5. Read the Use & Care instruction at the beginning of this guide. It contains valuable and helpful information that will save you time and money.
6. If you have any questions during initial operation, please review the "Avoid Service Checklist" before calling for service.
7. Place these instructions in a location near the dryer for future reference.

i NOTE

A wiring diagram and technical data sheet are located inside the dryer console.


Environmental concerns

♻️ Packaging materials

The materials marked with the symbol  are recyclable. This means that they can be recycled by disposing of them properly in appropriate collection containers.

Old appliance

Use authorised disposal sites for your old appliance. Help to keep your country tidy!

The symbol  on the product or on its packaging indicates that this product may not be treated as household waste. Instead it should be taken to the appropriate collection point for the recycling of electrical and electronic equipment. By ensuring this product is disposed of correctly, you will help prevent potential negative consequences for the environment and human health, which could otherwise be caused by inappropriate waste handling of this product. For more detailed information about recycling of this product, please contact your local council, your household waste disposal service or the shop where you purchased the product.

♻️ Ecological tips

- Keep the lint screen clean and exhaust the dryer correctly.
- Sort laundry properly and select proper temperature and cycle settings. Choose an automatic dry cycle whenever possible for accurate drying time.
- Dry only full loads. Single items and small loads usually take longer to dry.
- Avoid overloading, adding wet items to a partially dry load, and overdrying.
- Dry one load after another to take advantage of a warm dryer.
- Opening the door needlessly causes warm air to escape, which prolongs drying time.
- If possible, use the dryer on low humidity days.
- Install the dryer in an area where the room temperature is at least 7°C.

INTERNATIONAL WARRANTY

AUTOMATIC WASHERS - AUTOMATIC DRYERS - WASTE DISPOSERS
COOK TOPS - COOKER HOODS - OVENS - RANGES - DISHWASHERS

**THIS WARRANTY APPLIES OUTSIDE
THE UNITED STATES AND PUERTO RICO.**

For your protection as the original purchaser, for home use, this appliance is warranted as set forth below.

IMPORTANT: This Warranty shall not apply if the appliance has been subject to any accident, abuse or misuse, or damage by fire, flood or other acts of God. This Warranty covers only parts obtained through our Authorized Service Agency.

1-YEAR - MANUFACTURE & MATERIAL:

During the 1st year from the date of installation, we will, through our Authorized Service Agency, repair or replace (at our option) FOB factory any part that becomes inoperable due to defects in manufacture or material under normal use and service.

CUSTOMER'S RESPONSIBILITIES:

1. Record the model and serial number on this Warranty and keep it with your sales slip or invoice as a record of your installation date.
2. Provide proper connection to utilities, installation, setting of controls, and maintenance in accordance with instructions in the user's manual for the appliance.

3. Pay charges for pick up and delivery of the appliance, labor, transportation, local duties or taxes associated with warranty service including any charge to analyze the condition of the appliance. During the 1-Year Warranty, such charges are the responsibility of the dealer from whom the appliance was purchased, or as specified at the time of the purchase of the appliance.
4. Replacement of glass and light bulbs.

HOW TO OBTAIN SERVICE:

Contact the dealer where the appliance was purchased or any other of our authorized dealers. The dealer will make the necessary arrangements or refer you to our Authorized Service Agency.

THERE ARE NO OTHER WARRANTIES EXPRESS OR IMPLIED COVERING THIS APPLIANCE, EXCEPT THIS WARRANTY, WHICH IS IN LIEU OF ALL OTHER WARRANTIES, INCLUDING, TO THE EXTENT PERMITTED BY LAW, ANY IMPLIED WARRANTY OR MERCHANTABILITY OR FITNESS FOR A PARTICULAR PURPOSE. IN NO EVENT SHALL WE BE LIABLE FOR SPECIAL, INDIRECT OR CONSEQUENTIAL DAMAGES, OR FOR ANY DELAY IN THE PERFORMANCE OF THIS WARRANTY DUE TO CAUSES BEYOND OUR CONTROL. THE SOLE AND EXCLUSIVE REMEDY UNDER THIS WARRANTY SHALL BE LIMITED TO THE REPLACEMENT OF PARTS AS HEREINBEFORE PROVIDED.

ID09-816A

ELECTROLUX INTERNATIONAL COMPANY
PITTSBURGH, PA 15220, U.S.A.

Notes

Free Manuals Download Website

<http://myh66.com>

<http://usermanuals.us>

<http://www.somanuals.com>

<http://www.4manuals.cc>

<http://www.manual-lib.com>

<http://www.404manual.com>

<http://www.luxmanual.com>

<http://aubethermostatmanual.com>

Golf course search by state

<http://golfingnear.com>

Email search by domain

<http://emailbydomain.com>

Auto manuals search

<http://auto.somanuals.com>

TV manuals search

<http://tv.somanuals.com>