



Thinking of you
Electrolux



ENN2800BOW

EN	FRIDGE FREEZER	USER MANUAL	2
FR	RÉFRIGÉRATEUR/ CONGÉLATEUR	NOTICE D'UTILISATION	21
IT	FRIGO-CONGELATORE	ISTRUZIONI PER L'USO	42

CONTENTS

1. SAFETY INSTRUCTIONS	3
2. OPERATION	5
3. DAILY USE	5
4. HELPFUL HINTS AND TIPS	7
5. CARE AND CLEANING	8
6. WHAT TO DO IF...	10
7. INSTALLATION	12
8. NOISES	18
9. TECHNICAL DATA	20

WE'RE THINKING OF YOU

Thank you for purchasing an Electrolux appliance. You've chosen a product that brings with it decades of professional experience and innovation. Ingenious and stylish, it has been designed with you in mind. So whenever you use it, you can be safe in the knowledge that you'll get great results every time.

Welcome to Electrolux.

Visit our website for:



Get usage advice, brochures, trouble shooter, service information:
www.electrolux.com



Register your product for better service:
www.electrolux.com/productregistration



Buy Accessories, Consumables and Original spare parts for your appliance:
www.electrolux.com/shop

CUSTOMER CARE AND SERVICE

We recommend the use of original spare parts.

When contacting Service, ensure that you have the following data available.

The information can be found on the rating plate. Model, PNC, Serial Number.



Warning / Caution-Safety information



General information and tips



Environmental information

Subject to change without notice.

1. SAFETY INSTRUCTIONS

In the interest of your safety and to ensure the correct use, before installing and first using the appliance, read this user manual carefully, including its hints and warnings. To avoid unnecessary mistakes and accidents, it is important to ensure that all people using the appliance are thoroughly familiar with its operation and safety features. Save these instructions and make sure that they remain with the appliance if it is moved or sold, so that everyone using it through its life will be properly informed on appliance use and safety.

For the safety of life and property keep the precautions of these user's instructions as the manufacturer is not responsible for damages caused by omission.

1.1 Children and vulnerable people safety

- This appliance is not intended for use by persons (including children) with reduced physical, sensory or mental capabilities, or lack of experience and knowledge, unless they have been given supervision or instruction concerning use of the appliance by a person responsible for their safety.

Children should be supervised to ensure that they do not play with the appliance.

- Keep all packaging well away from children. There is risk of suffocation.
- If you are discarding the appliance pull the plug out of the socket, cut the connection cable (as close to the appliance as you can) and remove the door to prevent playing children to suffer electric shock or to close themselves into it.
- If this appliance featuring magnetic door seals is to replace an older appliance having a spring lock (latch) on the door or lid, be sure to make that spring lock unusable before you discard the old appliance. This will prevent it from becoming a death trap for a child.

1.2 General safety



WARNING!

Keep ventilation openings, in the appliance enclosure or in the built-in structure, clear of obstruction.

- The appliance is intended for keeping foodstuff and/or beverages in a normal household and similar applications such as:
 - staff kitchen areas in shops, offices and other working environments;
 - farm houses and by clients in hotels, motels and other residential type environments;
 - bed and breakfast type environments;
 - catering and similar non-retail applications.
- Do not use a mechanical device or any artificial means to speed up the thawing process.
- Do not use other electrical appliances (such as ice cream makers) inside of refrigerating appliances, unless they are approved for this purpose by the manufacturer.
- Do not damage the refrigerant circuit.
- The refrigerant isobutane (R600a) is contained within the refrigerant circuit of the appliance, a natural gas with a high level of environmental compatibility, which is nevertheless flammable.

During transportation and installation of the appliance, be certain that none of the components of the refrigerant circuit become damaged.

If the refrigerant circuit should become damaged:

- avoid open flames and sources of ignition
- thoroughly ventilate the room in which the appliance is situated
- It is dangerous to alter the specifications or modify this product in any way. Any damage to the cord may cause a short-circuit, fire and/or electric shock.



WARNING!

Any electrical component (power cord, plug, compressor) must be replaced by a certified service agent or qualified service personnel to avoid hazard.

1. Power cord must not be lengthened.
 2. Make sure that the power plug is not squashed or damaged by the back of the appliance. A squashed or damaged power plug may overheat and cause a fire.
 3. Make sure that you can come to the mains plug of the appliance.
 4. Do not pull the mains cable.
 5. If the power plug socket is loose, do not insert the power plug. There is a risk of electric shock or fire.
 6. You must not operate the appliance without the lamp cover (if foreseen) of interior lighting.
- This appliance is heavy. Care should be taken when moving it.
 - Do not remove nor touch items from the freezer compartment if your hands are damp/wet, as this could cause skin abrasions or frost/freezer burns.
 - Avoid prolonged exposure of the appliance to direct sunlight.
 - Bulb lamps (if foreseen) used in this appliance are special purpose lamps selected for household appliances use only. They are not suitable for household room illumination.

1.3 Daily Use

- Do not put hot pot on the plastic parts in the appliance.
- Do not store flammable gas and liquid in the appliance, because they may explode.
- Do not place food products directly against the air outlet on the rear wall. (If the appliance is Frost Free)
- Frozen food must not be re-frozen once it has been thawed out.
- Store pre-packed frozen food in accordance with the frozen food manufacturer's instructions.
- Appliance's manufacturers storage recommendations should be strictly adhered to. Refer to relevant instructions.
- Do not place carbonated or fizzy drinks in the freezer compartment as it creates pressure on the container, which may cause it to explode, resulting in damage to the appliance.

- Ice lollies can cause frost burns if consumed straight from the appliance.

1.4 Care and cleaning

- Before maintenance, switch off the appliance and disconnect the mains plug from the mains socket.
- Do not clean the appliance with metal objects.
- Do not use sharp objects to remove frost from the appliance. Use a plastic scraper.
- Regularly examine the drain in the refrigerator for defrosted water. If necessary, clean the drain. If the drain is blocked, water will collect in the bottom of the appliance.

1.5 Installation



For electrical connection carefully follow the instructions given in specific paragraphs.

- Unpack the appliance and check if there are damages on it. Do not connect the appliance if it is damaged. Report possible damages immediately to the place you bought it. In that case retain packing.
- It is advisable to wait at least four hours before connecting the appliance to allow the oil to flow back in the compressor.
- Adequate air circulation should be around the appliance, lacking this leads to overheating. To achieve sufficient ventilation follow the instructions relevant to installation.
- Wherever possible the back of the product should be against a wall to avoid touching or catching warm parts (compressor, condenser) to prevent possible burn.
- The appliance must not be located close to radiators or cookers.
- Make sure that the mains plug is accessible after the installation of the appliance.
- Connect to potable water supply only (if a water connection is foreseen).


1.6 Service

- Any electrical work required to do the servicing of the appliance should be carried out by a qualified electrician or competent person.
- This product must be serviced by an authorized Service Centre, and only genuine spare parts must be used.

1.7 Environment Protection



This appliance does not contain gasses which could damage the

ozone layer, in either its refrigerant circuit or insulation materials. The appliance shall not be discarded together with the urban refuse and rubbish. The insulation foam contains flammable gases: the appliance shall be disposed according to the applicable regulations to obtain from your local authorities. Avoid damaging the cooling unit, especially at the rear near the heat exchanger. The materials used on this appliance marked by the symbol  are recyclable.

2. OPERATION

2.1 Switching on

Insert the plug into the wall socket. Turn the Temperature regulator clockwise to a medium setting.

2.2 Switching off

To turn off the appliance, turn the Temperature regulator to the "O" position.

2.3 Temperature regulation

The temperature is automatically regulated.

To operate the appliance, proceed as follows:

- turn the Temperature regulator toward lower settings to obtain the minimum coldness.
- turn the Temperature regulator toward higher settings to obtain the maximum coldness.



A medium setting is generally the most suitable.

However, the exact setting should be chosen keeping in mind that the temperature inside the appliance depends on:

- room temperature
- how often the door is opened
- the quantity of food stored
- the location of the appliance.



If the ambient temperature is high or the appliance is fully loaded, and the appliance is set to the lowest temperatures, it may run continuously causing frost to form on the rear wall. In this case the dial must be set to a higher temperature to allow automatic defrosting and therefore reduced energy consumption.

3. DAILY USE

3.1 Cleaning the interior

Before using the appliance for the first time, wash the interior and all internal accessories with lukewarm water and some neutral soap so as to remove the typical smell of a brand-new product, then dry thoroughly.



Do not use detergents or abrasive powders, as these will damage the finish.

3.2 Freezing fresh food

The freezer compartment is suitable for freezing fresh food and storing frozen and deep-frozen food for a long time.

To freeze fresh foods it is not necessary to change the medium setting.

However, for a faster freezing operation, turn the temperature regulator toward higher settings to obtain the maximum coldness.



In this condition, the refrigerator compartment temperature might drop below 0°C. If this occurs re-set the temperature regulator to a warmer setting.

Place the fresh food to be frozen on the top compartment.

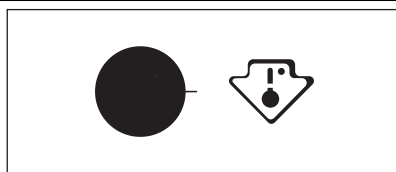
3.3 Storage of frozen food

When first starting-up or after a period out of use, before putting the products in the compartment let the appliance run at least 2 hours on the higher settings.



In the event of accidental defrosting, for example due to a power failure, if the power has been off for longer than the value shown in the technical characteristics chart under "rising time", the defrosted food must be consumed quickly or cooked immediately and then re-frozen (after cooling).

3.6 Temperature Indicator



3.4 Thawing

Deep-frozen or frozen food, prior to being used, can be thawed in the refrigerator compartment or at room temperature, depending on the time available for this operation.

Small pieces may even be cooked still frozen, directly from the freezer: in this case, cooking will take longer.

3.5 Ice-cube production

This appliance is equipped with one or more trays for the production of ice-cubes. Fill these trays with water, then put them in the freezer compartment.

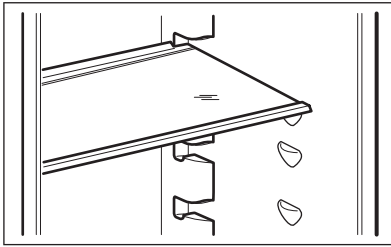


Do not use metallic instruments to remove the trays from the freezer.



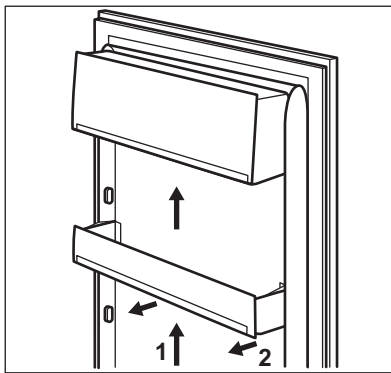
This appliance is sold in France. In accordance with regulations valid in this country it must be provided with a special device (see figure) placed in the lower compartment of the fridge to indicate the coldest zone of it.

3.7 Movable shelves



The walls of the refrigerator are equipped with a series of supports so that the shelves can be positioned as desired.

3.8 Positioning the door shelves



To permit storage of food packages of various sizes, the door shelves can be placed at different heights. To make these adjustments proceed as follows: gradually pull the shelf in the direction of the arrows until it comes free, then reposition as required.

4. HELPFUL HINTS AND TIPS

4.1 Hints for energy saving

- Do not open the door frequently or leave it open longer than absolutely necessary.
- If the ambient temperature is high and the Temperature Regulator is set to low temperature and the appliance is fully loaded, the compressor may run continuously, causing frost or ice on the evaporator. If this happens, set the Temperature Regulator toward warmer settings to allow automatic defrosting and so a saving in electricity consumption.

4.2 Hints for fresh food refrigeration

To obtain the best performance:

- do not store warm food or evaporating liquids in the refrigerator
- do cover or wrap the food, particularly if it has a strong flavour
- position food so that air can circulate freely around it

4.3 Hints for refrigeration

Useful hints:

Meat (all types) : wrap in polythene bags and place on the glass shelf above the vegetable drawer.

For safety, store in this way only one or two days at the most.

Cooked foods, cold dishes, etc.: these should be covered and may be placed on any shelf.

Fruit and vegetables: these should be thoroughly cleaned and placed in the special drawer(s) provided.

Butter and cheese: these should be placed in special airtight containers or wrapped in aluminium foil or polythene bags to exclude as much air as possible.

Milk bottles: these should have a cap and should be stored in the bottle rack on the door.

Bananas, potatoes, onions and garlic, if not packed, must not be kept in the refrigerator.

4.4 Hints for freezing

To help you make the most of the freezing process, here are some important hints:

- the maximum quantity of food which can be frozen in 24 hrs. is shown on the rating plate;
- the freezing process takes 24 hours. No further food to be frozen should be added during this period;
- only freeze top quality, fresh and thoroughly cleaned, foodstuffs;
- prepare food in small portions to enable it to be rapidly and completely frozen and to make it possible subsequently to thaw only the quantity required;
- wrap up the food in aluminium foil or polythene and make sure that the packages are airtight;

- do not allow fresh, unfrozen food to touch food which is already frozen, thus avoiding a rise in temperature of the latter;
- lean foods store better and longer than fatty ones; salt reduces the storage life of food;
- water ices, if consumed immediately after removal from the freezer compartment, can possibly cause the skin to be freeze burnt;
- it is advisable to show the freezing in date on each individual pack to enable you to keep tab of the storage time.

4.5 Hints for storage of frozen food

To obtain the best performance from this appliance, you should:

- make sure that the commercially frozen foodstuffs were adequately stored by the retailer;
- be sure that frozen foodstuffs are transferred from the foodstore to the freezer in the shortest possible time;
- not open the door frequently or leave it open longer than absolutely necessary;
- once defrosted, food deteriorates rapidly and cannot be refrozen;
- do not exceed the storage period indicated by the food manufacturer.

5. CARE AND CLEANING



CAUTION!

Unplug the appliance before carrying out any maintenance operation.



This appliance contains hydrocarbons in its cooling unit; maintenance and recharging must therefore only be carried out by authorized technicians.

5.1 Periodic cleaning

The equipment has to be cleaned regularly:

- clean the inside and accessories with lukewarm water and some neutral soap.
- regularly check the door seals and wipe clean to ensure they are clean and free from debris.
- rinse and dry thoroughly.



Do not pull, move or damage any pipes and/or cables inside the cabinet.

Never use detergents, abrasive powders, highly perfumed cleaning products or wax polishes to clean the interior as this will damage the surface and leave a strong odour.

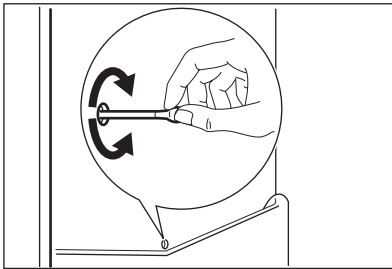
Clean the condenser (black grill) and the compressor at the back of the appliance with a brush. This operation will improve the performance of the appliance and save electricity consumption.



Take care of not to damage the cooling system.

Many proprietary kitchen surface cleaners contain chemicals that can attack/damage the plastics used in this appliance. For this reason it is recommended that the outer casing of this appliance is only cleaned with warm water with a little washing-up liquid added. After cleaning, reconnect the equipment to the mains supply.

5.2 Defrosting the refrigerator



Frost is automatically eliminated from the evaporator of the refrigerator compartment every time the motor compressor stops, during normal use. The defrost water drains out through a drain hole into a special container at the back of the appliance, over the motor compressor, where it evaporates.

It is important to periodically clean the defrost water drain hole in the middle of the refrigerator compartment channel to prevent the water overflowing and dripping onto the food inside.

5.3 Defrosting the freezer

A certain amount of frost will always form on the freezer shelves and around the top compartment.

Defrost the freezer when the frost layer reaches a thickness of about 3-5 mm.



About 12 hours prior to defrosting, set the Temperature regulator toward higher settings, in order to build up sufficient chill reserve for the interruption in operation.

To remove the frost, follow the instructions below:

1. Switch off the appliance.
2. Remove any stored food, wrap it in several layers of newspaper and put it in a cool place.



CAUTION!

Do not touch frozen goods with wet hands. Hands can freeze to the goods.

3. Leave the door open.



In order to speed up the defrosting process, place a pot of warm water in the freezer compartment. In addition, remove pieces of ice that break away before defrosting is complete.

4. When defrosting is completed, dry the interior thoroughly.
5. Switch on the appliance.
6. After two or three hours, reload the previously removed food into the compartment.



Never use sharp metal tools to scrape off frost from the innerliner as you could damage it. Do not use a mechanical device or any artificial means to speed up the thawing process other than those recommended by the manufacturer.

A temperature rise of the frozen food packs, during defrosting, may shorten their safe storage life.

5.4 Periods of non-operation

When the appliance is not in use for long periods, take the following precautions:

- **disconnect the appliance from electricity supply**
- remove all food
- defrost (if foreseen) and clean the appliance and all accessories

- leave the door/doors ajar to prevent unpleasant smells.

If the cabinet will be kept on, ask somebody to check it once in a while to prevent the food inside from spoiling in case of a power failure.

6. WHAT TO DO IF...



WARNING!

Before troubleshooting, disconnect the mains plug from the mains socket.

Only a qualified electrician or competent person must do the troubleshooting that is not in this manual.



There are some sounds during normal use (compressor, refrigerant circulation).

Problem	Possible cause	Solution
The appliance does not operate. The lamp does not operate.	The appliance is switched off.	Switch on the appliance.
	The mains plug is not connected to the mains socket correctly.	Connect the mains plug to the mains socket correctly.
	The appliance has no power. There is no voltage in the mains socket.	Connect a different electrical appliance to the mains socket. Contact a qualified electrician.
The lamp does not work.	The lamp is in stand-by.	Close and open the door.
	The lamp is defective.	Refer to "Replacing the lamp".
The compressor operates continually.	The temperature is not set correctly.	Set a higher temperature.
	The door is not closed correctly.	Refer to "Closing the door".
	The door has been opened too frequently.	Do not keep the door open longer than necessary.
	The product temperature is too high.	Let the product temperature decrease to room temperature before storage.

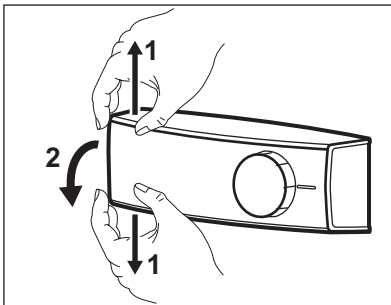
Problem	Possible cause	Solution
	The room temperature is too high.	Decrease the room temperature.
Water flows on the rear plate of the refrigerator.	During the automatic defrosting process, frost defrosts on the rear plate.	This is correct.
Water flows into the refrigerator.	The water outlet is clogged.	Clean the water outlet.
	Products prevent that water flows into the water collector.	Make sure that products do not touch the rear plate.
Water flows on the ground.	The melting water outlet does not flow in the evaporative tray above the compressor.	Attach the melting water outlet to the evaporative tray.
The temperature in the appliance is too low/high.	The temperature regulator is not set correctly.	Set a higher/lower temperature.
The temperature in the refrigerator is too high.	There is no cold air circulation in the appliance.	Make sure that there is cold air circulation in the appliance.
The temperature in the freezer is too high.	Products are too near to each other.	Store products so that there is cold air circulation.
There is too much frost.	Food is not wrapped correctly.	Wrap the food correctly.
	The door is not closed correctly.	Refer to "Closing the door".
	The temperature regulator is not set correctly.	Set a higher temperature.

6.1 Replacing the lamp



CAUTION!

Disconnect the plug from the mains socket.



1. At the same time, with the fingers expand up and down the transparent cover and unhook it in the direction of the arrows.
2. Replace the lamp with one of the same power and shape, specifically designed for household appliances. (the maximum power is shown on the light bulb cover).
3. Reassemble the lamp cover.
4. Connect the plug to the mains socket.
5. Open the door. Make sure that the light comes on.

6.2 Closing the door

1. Clean the door gaskets.
2. If necessary, adjust the door. Refer to "Installation".

3. If necessary, replace the defective door gaskets. Contact the Service Center.

7. INSTALLATION



WARNING!

Read the "Safety Information" carefully for your safety and correct operation of the appliance before installing the appliance.

7.1 Positioning

Install this appliance at a location where the ambient temperature corresponds to the climate class indicated on the rating plate of the appliance:

Cli- mate class	Ambient temperature
SN	+10°C to + 32°C
N	+16°C to + 32°C
ST	+16°C to + 38°C
T	+16°C to + 43°C

7.2 Electrical connection

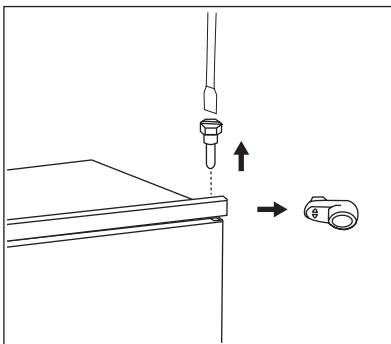
Before plugging in, ensure that the voltage and frequency shown on the rating plate correspond to your domestic power supply.

The appliance must be earthed. The power supply cable plug is provided with a contact for this purpose. If the domestic power supply socket is not earthed, connect the appliance to a separate earth in compliance with current regulations, consulting a qualified electrician.

The manufacturer declines all responsibility if the above safety precautions are not observed.

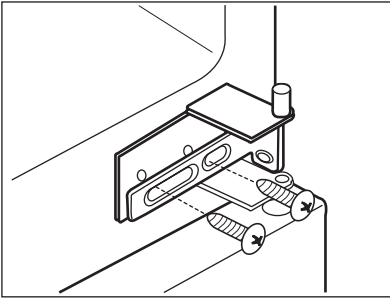
This appliance complies with the E.E.C. Directives.

7.3 Door reversibility

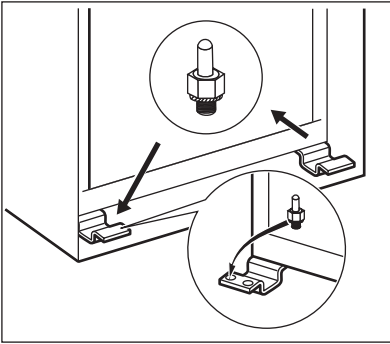


The door of the appliance opens to the right. To open the door to the left, do these steps before you install the appliance.

- Loosen and remove the upper pin.
- Remove the upper door.
- Remove the spacer.

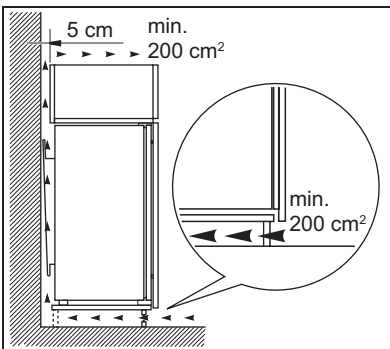


- Loosen the middle hinge.
- Remove the lower door.



- Loosen and remove the lower pin.
- On the opposite side:
- Tighten the lower pin.
 - Install the lower door.
 - Tighten the middle hinge.
 - Install the spacer.
 - Install the upper door.
 - Tighten the upper pin.

7.4 Ventilation requirements



The airflow behind the appliance must be sufficient.

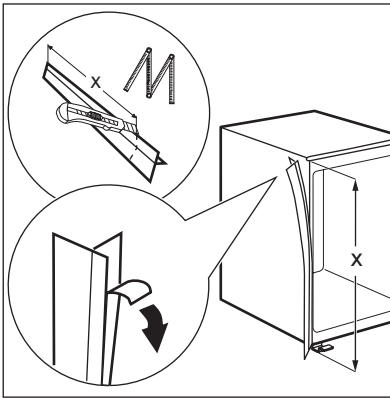
7.5 Installing the appliance

Do the following steps:

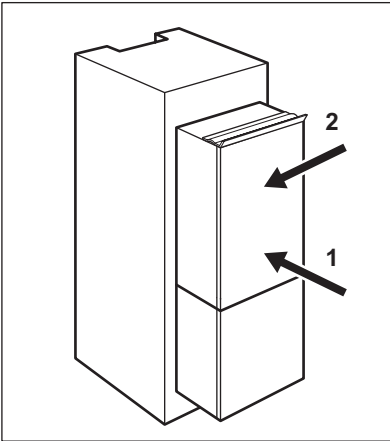


CAUTION!

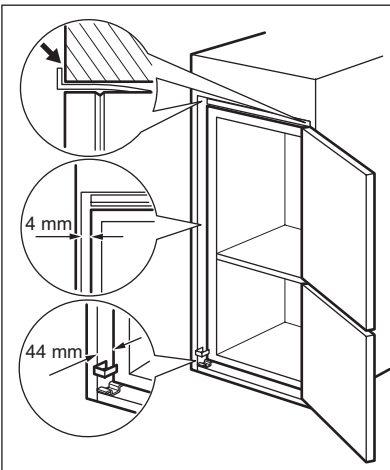
Make sure that the mains cable can move freely.



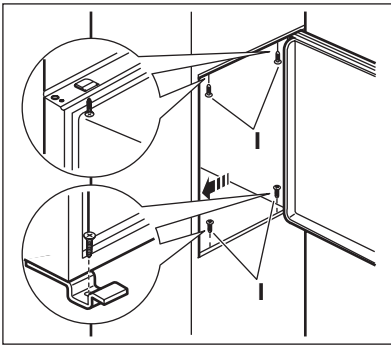
If necessary cut the adhesive sealing strip and apply it to the appliance as shown in figure.



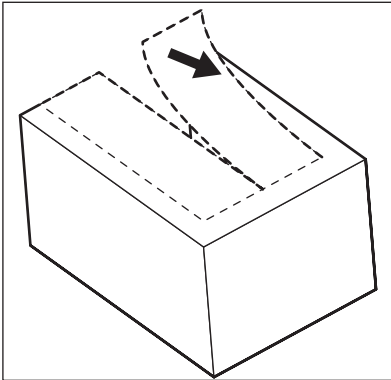
Install the appliance in the niche. Push the appliance in the direction of the arrow (1) until the upper gap cover stops against the kitchen furniture. Push the appliance in the direction of the arrow (2) against the cupboard on the opposite side of the hinge.



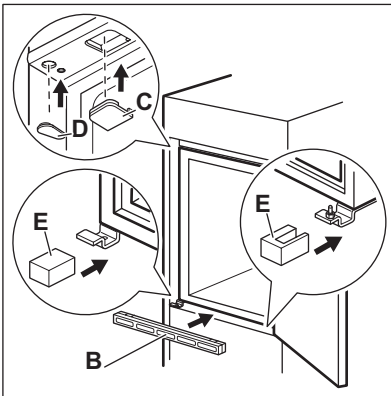
Adjust the appliance in the niche. Make sure that the distance between the appliance and the cupboard front-edge is 44 mm. The lower hinge cover (in the accessories bag) makes sure that the distance between the appliance and the kitchen furniture is correct. Make sure that the clearance between the appliance and the cupboard is 4 mm. Open the door. Put the lower hinge cover in position.



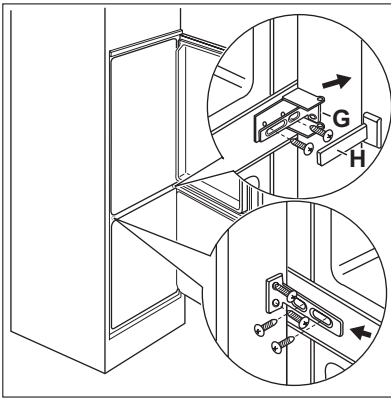
Attach the appliance to the niche with 4 screws.



Remove the correct part from the hinge cover (E). Make sure to remove the part DX, in the case of right hinge, SX in opposite case.

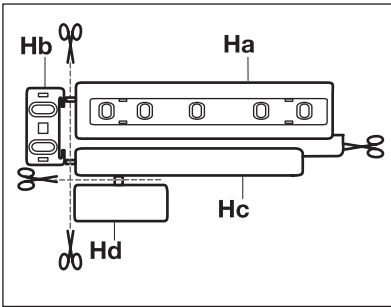


Attach the covers (C, D) to the lugs and the hinge holes.
Install the vent grille (B).
Attach the hinge covers (E) to the hinge.

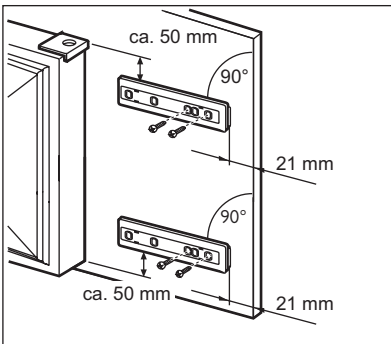


Connect the appliance laterally to the kitchen furniture sidewall:

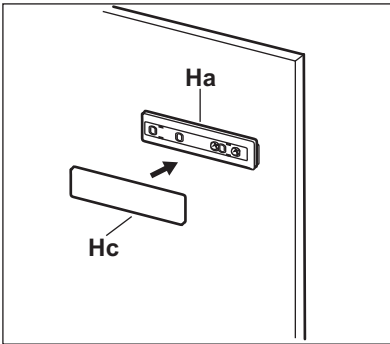
1. Loosen the screws of the part (G) and move the part (G) till the furniture sidewall.
2. Tighten the screws of the part (G) again.
3. Attach the part (H) to the part (G).



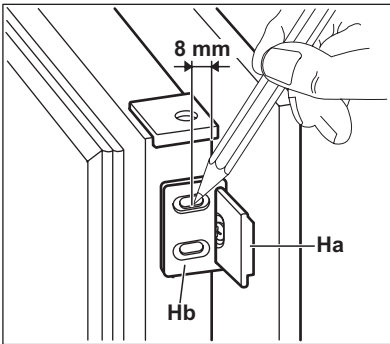
Disconnect the parts (Ha), (Hb), (Hc) and (Hd).



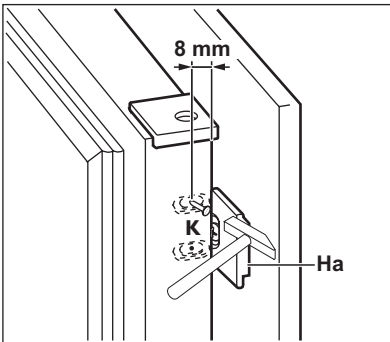
Install the part (Ha) on the inner side of the kitchen furniture door.



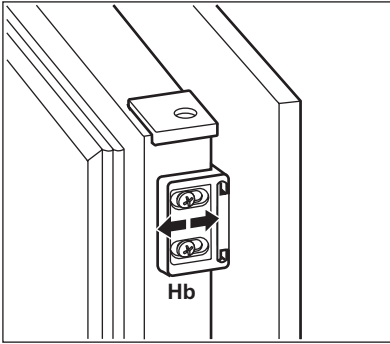
Push the part (Hc) on the part (Ha).



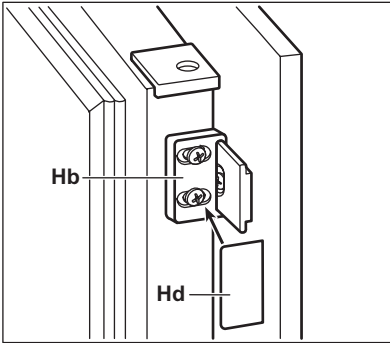
Open the appliance door and the kitchen furniture door at an angle of 90°. Insert the small square (Hb) into guide (Ha). Put together the appliance door and the furniture door and mark the holes.



Remove the brackets and mark a distance of 8 mm from the outer edge of the door where the nail must be fitted (K).



Place the small square on the guide again and fix it with the screws supplied. Align the kitchen furniture door and the appliance door by adjusting the part (Hb).

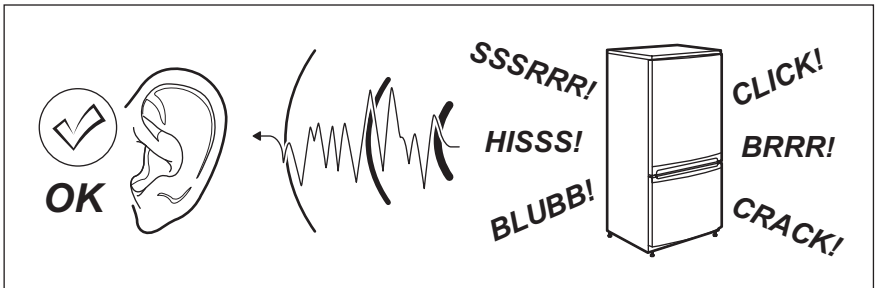


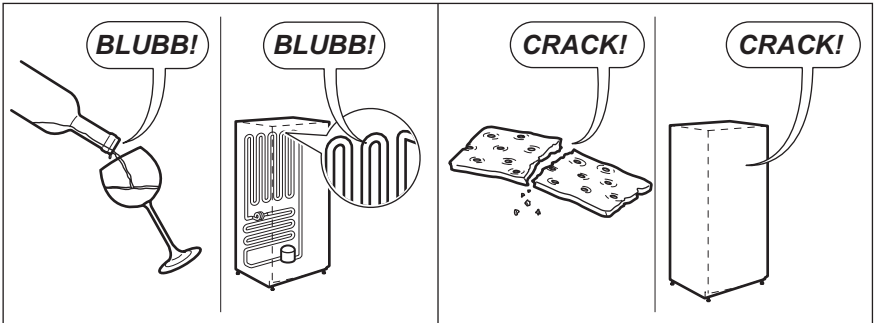
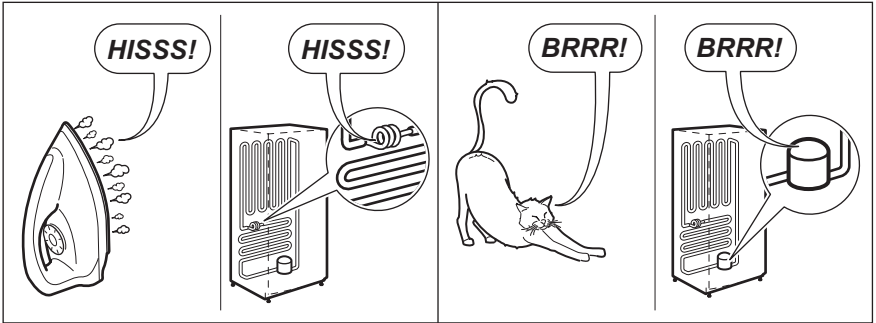
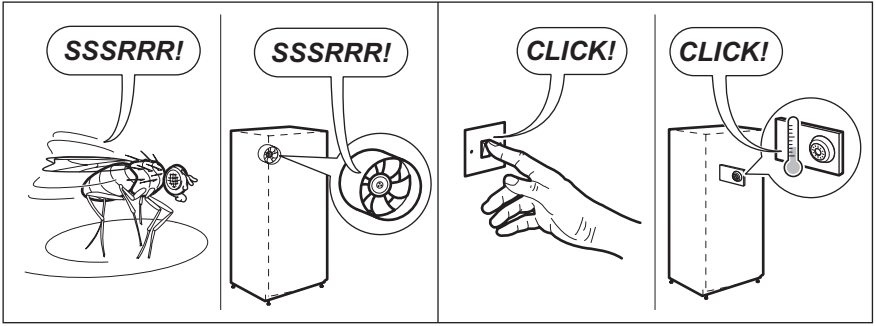
Press the part (Hd) on the part (Hb). Do a final check to make sure that:

- All screws are tightened.
- The sealing strip is attached tightly to the cabinet.
- The door opens and closes correctly.

8. NOISES

There are some sounds during normal running (compressor, refrigerant circulation).






9. TECHNICAL DATA

Dimension of the recess		
	Height	1780 mm
	Width	560 mm
	Depth	550 mm
Rising Time		22 h
Voltage		230-240 V
Frequency		50 Hz

The technical information are situated in the rating plate on the internal left side of the appliance and in the energy label.

10. ENVIRONMENT CONCERNS

Recycle the materials with the symbol . Put the packaging in applicable containers to recycle it. Help protect the environment and human health and to recycle waste of electrical

and electronic appliances. Do not dispose appliances marked with the symbol  with the household waste. Return the product to your local recycling facility or contact your municipal office.

SOMMAIRE

1. INSTRUCTIONS DE SÉCURITÉ	22
2. FONCTIONNEMENT	25
3. UTILISATION QUOTIDIENNE	26
4. CONSEILS UTILES	28
5. ENTRETIEN ET NETTOYAGE	29
6. EN CAS D'ANOMALIE DE FONCTIONNEMENT	31
7. INSTALLATION	33
8. BRUITS	39
9. CARACTÉRISTIQUES TECHNIQUES	41

NOUS PENSONS À VOUS

Merci d'avoir choisi ce produit Electrolux. Avec ce produit, vous bénéficiez de dizaines d'années d'expérience professionnelle et d'innovation. Ingénieux et élégant, il a été conçu sur mesure pour vous. Grâce à cet appareil, vous savez que chaque utilisation vous apportera satisfaction.

Bienvenue chez Electrolux.

Visitez notre site Internet pour :



Obtenir des conseils d'utilisation, des brochures, de l'aide, des informations :
www.electrolux.com



Enregistrer votre produit pour obtenir un meilleur service :
www.electrolux.com/productregistration



Acheter des accessoires, consommables et pièces de rechange d'origine pour votre appareil :
www.electrolux.com/shop

SERVICE APRÈS-VENTE

N'utilisez que des pièces de rechange d'origine.

Avant de contacter le service, assurez-vous de disposer des informations suivantes :

Vous trouverez ces informations sur la plaque signalétique. Modèle, PNC, numéro de série.



Avertissement/Attention : consignes de sécurité.



Informations générales et conseils



Informations écologiques

Sous réserve de modifications.

1. INSTRUCTIONS DE SÉCURITÉ

Pour votre sécurité et garantir une utilisation correcte de l'appareil, lisez attentivement cette notice, y compris les conseils et avertissements, avant d'installer et d'utiliser l'appareil pour la première fois. Pour éviter toute erreur ou accident, veillez à ce que toute personne qui utilise l'appareil connaisse bien son fonctionnement et ses fonctions de sécurité. Conservez cette notice avec l'appareil. Si l'appareil doit être vendu ou cédé à une autre personne, veillez à remettre cette notice au nouveau propriétaire, afin qu'il puisse se familiariser avec son fonctionnement et sa sécurité.

Pour la sécurité des personnes et des biens, conservez et respectez les consignes de sécurité figurant dans cette notice. Le fabricant décline toute responsabilité en cas de dommages dus au non-respect de ces instructions.

Lors de sa fabrication, cet appareil a été construit selon des normes, directives et/ou décrets pour une utilisation sur le territoire français.

Pour la sécurité des biens et des personnes ainsi que pour le respect de l'environnement, vous devez d'abord lire attentivement les préconisations suivantes avant toute utilisation de votre appareil.



ATTENTION

Pour éviter tout risque de détérioration de l'appareil, transportez-le dans sa position d'utilisation muni de ses cales de transport (selon le modèle). Au déballage de celui-ci, et pour empêcher des risques d'asphyxie et corporel, tenez les matériaux d'emballage hors de portée des enfants.



ATTENTION

Pour éviter tout risque (mobilier, immobilier, corporel,...), l'installation, les raccordements (eau, gaz, électricité, évacuation selon modèle), la mise en service et la maintenance de votre appareil doivent être effectuées par un professionnel qualifié.



ATTENTION

Votre appareil a été conçu pour être utilisé par des adultes. Il est destiné à un usage domestique normal. Ne l'utilisez pas à des fins commerciales ou industrielles ou pour d'autres buts que ceux pour lesquels il a été conçu. Vous évitez ainsi des risques matériel et corporel.



ATTENTION

Débranchez l'appareil avant toute opération de nettoyage manuel. N'utilisez que des produits du commerce non corrosifs ou non inflammables. Toute projection d'eau ou de vapeur est proscrite pour écarter le risque d'électrocution.



ATTENTION

Si votre appareil est équipé d'un éclairage, débranchez l'appareil avant de procéder au changement de l'ampoule (ou du néon, etc.) pour éviter de s'électrocuter.



ATTENTION

Afin d'empêcher des risques d'explosion ou d'incendie, ne placez pas de produits inflammables ou d'éléments imbibés de produits inflammables à l'intérieur, à proximité ou sur l'appareil.



ATTENTION

Lors de la mise au rebut de votre appareil, et pour écarter tout risque corporel, mettez hors d'usage ce qui pourrait présenter un danger : coupez le câble d'alimentation au ras de l'appareil. Informez-vous auprès des services de votre commune des endroits autorisés pour la mise au rebut de l'appareil.

**ATTENTION**

Respectez la chaîne de froid dès l'acquisition d'un aliment jusqu'à sa consommation pour exclure le risque d'intoxication alimentaire.

Veillez maintenant lire attentivement cette notice pour une utilisation optimale de votre appareil.

1.1 Sécurité des enfants et des personnes vulnérables

- Cet appareil n'est pas destiné à être utilisé par des enfants ou des personnes dont les capacités physiques, sensorielles ou mentales, ou le manque d'expérience et de connaissance les empêchent d'utiliser l'appareil sans risque lorsqu'ils sont sans surveillance ou en l'absence d'instruction d'une personne responsable qui puisse leur assurer une utilisation de l'appareil sans danger.

Empêchez les enfants de jouer avec l'appareil.

- Ne laissez pas les différents emballages à portée des enfants. Ils pourraient s'asphyxier.
- Si l'appareil doit être mis au rebut, veillez à couper le câble d'alimentation électrique au ras de l'appareil pour éviter les risques d'électrocution. Démontez la porte pour éviter que des enfants ne restent enfermés à l'intérieur.
- Cet appareil est muni de fermetures magnétiques. S'il remplace un appareil équipé d'une fermeture à ressort, nous vous conseillons de rendre celle-ci inutilisable avant de vous en débarrasser. Ceci afin d'éviter aux enfants de s'enfermer dans l'appareil et de mettre ainsi leur vie en danger.

1.2 Consignes générales de sécurité

**AVERTISSEMENT**

Veillez à ce que les orifices de ventilation, situés dans l'enceinte de l'appareil ou la structure intégrée, ne soient pas obstrués.

- Les appareils sont destinés uniquement à la conservation des aliments et/ou des boissons dans le cadre d'un usage

domestique normal, tel que celui décrit dans la présente notice.

- dans des cuisines réservées aux employés dans des magasins, bureaux et autres lieux de travail ;
- dans les fermes et par les clients dans des hôtels, motels et autres lieux de séjour ;
- dans des hébergements de type chambre d'hôte ;
- pour la restauration et autres utilisations non commerciales.
- N'utilisez pas d'appareils électriques, d'agents chimiques ou tout autre système artificiel pour accélérer le processus de dégivrage.
- Ne faites pas fonctionner d'appareils électriques (comme des sorbetières électriques, ...) à l'intérieur des appareils de réfrigération à moins que cette utilisation n'ait reçu l'agrément du fabricant.
- N'endommagez pas le circuit frigorifique.

- Le circuit frigorifique de l'appareil contient de l'isobutane (R600a), un gaz naturel offrant un haut niveau de compatibilité avec l'environnement mais qui est néanmoins inflammable.

Pendant le transport et l'installation de votre appareil, assurez-vous qu'aucune partie du circuit frigorifique n'est endommagée.

Si le circuit frigorifique est endommagé :

- évitez les flammes vives et toute autre source d'allumage
- aérez soigneusement la pièce où se trouve l'appareil
- Ne modifiez pas les spécifications de l'appareil. Si le câble d'alimentation est endommagé, il peut causer un court circuit, un incendie et/ou une électrocution.

**AVERTISSEMENT**

Les éventuelles réparations ou interventions sur votre appareil, ainsi que le remplacement du câble d'alimentation, ne doivent être effectuées que par un professionnel qualifié.

1. Ne branchez pas le cordon d'alimentation à une rallonge.

2. Assurez-vous que la prise n'est pas écrasée ou endommagée par l'arrière de l'appareil. Une prise de courant écrasée ou endommagée peut s'échauffer et causer un incendie.
 3. Vérifiez que la prise murale de l'appareil est accessible.
 4. Ne débranchez pas l'appareil en tirant sur le câble.
 5. Si la prise murale n'est pas bien fixée, n'introduisez pas de prise dedans. Risque d'électrocution ou d'incendie.
 6. N'utilisez pas l'appareil sans le difuseur de l'ampoule (si présent) de l'éclairage intérieur.
- Cet appareil est lourd. Faites attention lors de son déplacement.
 - Ne touchez pas avec les mains humides les surfaces givrées et les produits congelés (risque de brûlure et d'arrachement de la peau).
 - Évitez une exposition prolongée de l'appareil aux rayons solaires.
 - Les ampoules (si présentes) utilisées dans cet appareil sont des ampoules spécifiques uniquement destinées à être utilisées sur des appareils ménagers. Elles ne sont pas du tout adaptées à un éclairage quelconque d'une habitation.

1.3 Utilisation quotidienne

- Ne posez pas d'éléments chauds sur les parties en plastique de l'appareil.
- Ne stockez pas de gaz ou de liquides inflammables dans l'appareil (risque d'explosion).
- Ne placez pas d'aliments directement contre la sortie d'air sur la paroi arrière de l'appareil. (Si l'appareil est sans givre.)
- Un produit décongelé ne doit jamais être recongelé.
- Conservez les aliments emballés conformément aux instructions de leur fabricant.
- Respectez scrupuleusement les conseils de conservation donnés par le fabricant de l'appareil. Consultez les instructions respectives.

- Ne mettez pas de bouteilles ni de boîtes de boissons gazeuses dans le compartiment congélateur, car la pression se formant à l'intérieur du contenant pourrait le faire éclater et endommager ainsi l'appareil.
- Ne consommez pas certains produits tels que les bâtonnets glacés dès leur sortie de l'appareil, car ils peuvent provoquer des brûlures.

1.4 Entretien et nettoyage

- Avant toute opération d'entretien, mettez l'appareil hors tension et débranchez-le de la prise de courant.
- N'utilisez pas d'objets métalliques pour nettoyer l'appareil.
- N'utilisez pas d'objet tranchant pour gratter la couche de givre. Utilisez une spatule en plastique.
- Contrôlez régulièrement l'orifice d'évacuation de l'eau de dégivrage dans le compartiment réfrigérateur. Nettoyez-le, si besoin. Si l'orifice est bouché, l'eau s'écoulera en bas de l'appareil.

1.5 Installation



Avant de procéder au branchement électrique, respectez scrupuleusement les instructions fournies dans cette notice.

- Déballez l'appareil et vérifiez qu'il n'est pas endommagé. Ne branchez pas l'appareil s'il est endommagé. Signalez immédiatement au revendeur de l'appareil les dommages constatés. Dans ce cas, gardez l'emballage.
- Il est conseillé d'attendre au moins quatre heures avant de brancher l'appareil pour que le circuit frigorifique soit stabilisé.
- Veillez à ce que l'air circule librement autour de l'appareil pour éviter qu'il ne surchauffe. Pour assurer une ventilation suffisante, respectez les instructions de la notice (chapitre Installation).
- Placez l'appareil dos au mur pour éviter tout contact avec le compresseur et le condenseur (risque de brûlure).
- Placez de préférence votre appareil loin d'une source de chaleur (chauffage, cuisson ou rayons solaires trop intenses).

- Assurez-vous que la prise murale reste accessible après l'installation de l'appareil.
- Branchez à l'alimentation en eau potable uniquement. (Si un branchement sur le réseau d'eau est prévu.)

1.6 Maintenance

- Les branchements électriques nécessaires à l'entretien de l'appareil doivent être réalisés par un électricien qualifié ou une personne compétente.
- Cet appareil ne doit être entretenu et réparé que par un Service après-vente autorisé, exclusivement avec des pièces d'origine.

1.7 Protection de l'environnement



Le système frigorifique et l'isolation de votre appareil ne contiennent pas de C.F.C. contribuant ainsi à préserver l'environnement.

L'appareil ne doit pas être mis au rebut avec les ordures ménagères et les déchets urbains. La mousse d'isolation contient des gaz inflammables : l'appareil sera mis au rebut conformément aux règlements applicables disponibles auprès des autorités locales. Veillez à ne pas détériorer les circuits frigorifiques, notamment au niveau du condenseur. Les matériaux utilisés dans cet appareil identifiés par le symbole ♻️ sont recyclables.

2. FONCTIONNEMENT

2.1 Mise en fonctionnement

Branchez l'appareil sur une prise murale. Tournez le bouton du thermostat dans le sens des aiguilles d'une montre sur une position moyenne.

2.2 Mise à l'arrêt

Pour mettre à l'arrêt l'appareil, tournez le bouton du thermostat sur la position "O".

2.3 Réglage de la température

La température est réglée automatiquement.

Pour faire fonctionner l'appareil, procédez comme suit :

- tournez le bouton du thermostat vers le bas pour obtenir un réglage de froid minimum.
- tournez le bouton du thermostat vers le haut pour obtenir un réglage de froid maximum.



Une position moyenne est la plus indiquée.

Toutefois, le réglage doit être choisi en tenant compte du fait que la température à l'intérieur de l'appareil dépend de plusieurs facteurs :

- la température ambiante
- la fréquence d'ouverture de la porte
- la quantité de denrées stockées
- l'emplacement de l'appareil.



Si le thermostat est réglé sur la position de froid maximum, lorsque la température ambiante est élevée et que l'appareil est plein, il est possible que le compresseur fonctionne en régime continu. Dans ce cas, il y a un risque de formation excessive de givre sur la paroi postérieure à l'intérieur de l'appareil. Pour éviter cet inconvénient, placez le thermostat sur une température plus élevée de façon à permettre un dégivrage automatique et, par conséquent, des économies de courant.

3. UTILISATION QUOTIDIENNE

3.1 Nettoyage intérieur

Avant d'utiliser l'appareil pour la première fois, nettoyez l'intérieur et tous les accessoires internes avec de l'eau tiède savonneuse pour supprimer l'odeur caractéristique du "neuf" puis séchez soigneusement.



N'utilisez pas de produits abrasifs, poudre à récurer, éponge métallique pour ne pas abîmer la finition.

3.2 Congélation d'aliments frais

Le compartiment congélateur est idéal pour congeler des aliments frais et conserver longtemps des aliments congelés ou surgelés.

Pour congeler des aliments frais, il n'est pas nécessaire de modifier le réglage moyen.

Toutefois, pour une congélation plus rapide, tournez le thermostat sur la position maximale pour obtenir plus de froid.



Dans ce cas, la température du compartiment réfrigérateur est susceptible de descendre en dessous de 0 °C. Si cela se produit, repositionnez le thermostat sur une position inférieure pour obtenir moins de froid.

Placez les denrées fraîches à congeler dans le compartiment supérieur.

3.3 Conservation d'aliments surgelés

À la mise en service ou après un arrêt prolongé, placez le thermostat sur la posi-

tion maximale pendant 2 heures environ avant d'introduire les produits dans le compartiment.



En cas de décongélation accidentelle, due par exemple à une coupure de courant, si la coupure a duré plus de temps qu'indiqué au paragraphe « Autonomie de fonctionnement » du chapitre « Caractéristiques techniques », consommez rapidement les aliments décongelés ou cuisez-les immédiatement avant de les recongeler (une fois refroidis).

3.4 Décongélation

Avant utilisation, les aliments surgelés ou congelés peuvent être décongelés dans le compartiment du réfrigérateur ou à température ambiante en fonction du temps disponible pour cette opération.

Les petites portions peuvent même être cuites sans décongélation préalable (la cuisson sera cependant un peu plus longue).

3.5 Fabrication de glaçons

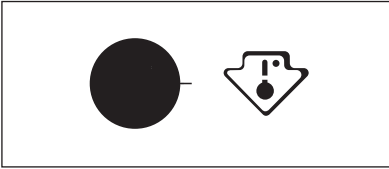
Cet appareil est équipé d'un ou de plusieurs bacs à glaçons. Remplissez d'eau ces bacs et mettez-les dans le compartiment congélateur.



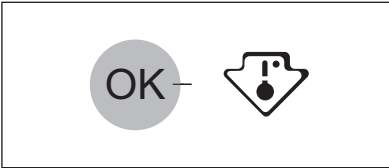
N'utilisez pas d'instruments métalliques pour décoller les bacs du congélateur.

3.6 Indicateur de température

Le thermostat nécessite un réglage



Température correcte



Pour vous aider à contrôler correctement votre appareil, nous avons intégré un indicateur de température à votre réfrigérateur.

Le symbole sur le côté indique la zone la plus froide du réfrigérateur.

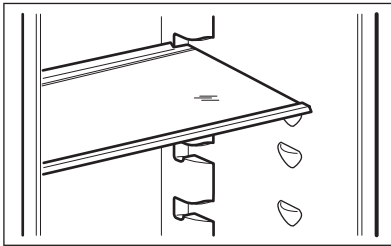
La zone la plus froide s'étend de la clayette en verre du bac à fruits et légumes au symbole ou à la clayette positionnée à la même hauteur que le symbole.

Pour un bon stockage des aliments, assurez-vous que l'indicateur de température affiche « OK ».

Si « OK » n'est pas affiché, réglez le thermostat sur une position afin d'obtenir plus de froid et attendez 12 heures avant de vérifier à nouveau.

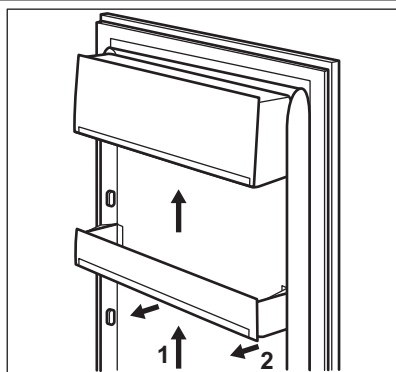
Après chargement de denrées fraîches dans l'appareil ou après des ouvertures répétées (ou une ouverture prolongée) de la porte, il est normal que l'inscription « OK » disparaisse.

3.7 Clayettes amovibles



Les parois du réfrigérateur sont équipées d'une série de supports afin que les clayettes puissent être positionnées comme vous le souhaitez.

3.8 Mettez en place les balconnets de la porte.



Selon la taille des emballages des aliments conservés, les balconnets de la porte peuvent être positionnés à différentes hauteurs.

Pour les ajuster, procédez comme suit : tirez progressivement sur le balconnet dans le sens des flèches pour le dégager, puis repositionnez-le selon vos besoins.

4. CONSEILS UTILES

4.1 Conseils pour l'économie d'énergie

- N'ouvrez pas la porte trop souvent ou plus longtemps que nécessaire.
- Si la température ambiante est élevée, le dispositif de réglage de température est sur la position de froid maximum et l'appareil est plein : il est possible que le compresseur fonctionne en régime continu, d'où un risque de formation excessive de givre sur l'évaporateur. Pour éviter ceci, modifiez la position du dispositif de réglage de température de façon à obtenir des périodes d'arrêt du compresseur et ainsi permettre un dégivrage automatique, d'où des économies d'énergie.

4.2 Conseils pour la réfrigération de denrées fraîches

Pour obtenir les meilleures performances possibles :

- N'introduisez pas d'aliments encore chauds ou de liquides en évaporation dans le réfrigérateur.
- Couvrez ou enveloppez soigneusement les aliments, surtout s'ils sont aromatiques.

- Placez les aliments pour que l'air puisse circuler librement autour.

4.3 Conseils pour la réfrigération

Conseils utiles :

Viande (tous les types) : enveloppez-la dans des sachets en plastique et placez-la sur la tablette en verre au-dessus du bac à légumes.

La période de conservation est de 1 à 2 jours au maximum.

Aliments cuits, plats froids, etc. : placez-les bien couverts sur une clayette.

Fruits et légumes : placez-les une fois nettoyés dans le(s) bac(s) à légumes fourni(s).
Beurre et fromage : placez-les dans des récipients étanches spéciaux ou enveloppez-les soigneusement dans des feuilles d'aluminium ou de polyéthylène, pour emmagasiner le moins d'air possible.

Lait en bouteille : bouchez-le et placez-le dans le balconnet de la contreporte réservé aux bouteilles.

Bananes, pommes de terre, oignons et ail ne se conservent pas au réfrigérateur, s'ils ne sont pas correctement emballés.

4.4 Conseils pour la congélation

Pour obtenir les meilleurs résultats, voici quelques conseils importants :

- la quantité maximale de denrées que vous pouvez congeler par 24 heures est indiquée sur la plaque signalétique.
- le temps de congélation est de 24 heures. Aucune autre denrée à congeler ne doit être ajoutée pendant cette période.
- congelez seulement les denrées alimentaires fraîches, de qualité supérieure (une fois nettoyées).
- préparez la nourriture en petits paquets pour une congélation rapide et uniforme, adaptés à l'importance de la consommation.
- enveloppez les aliments dans des feuilles d'aluminium ou de polyéthylène et assurez-vous que les emballages sont étanches ;
- ne laissez pas des aliments frais, non congelés, toucher des aliments déjà congelés pour éviter une remontée en température de ces derniers.
- les aliments maigres se conservent mieux et plus longtemps que les aliments gras ; le sel réduit la durée de conservation des aliments
- la température très basse à laquelle se trouvent les bâtonnets glacés, s'ils sont consommés dès leur sortie du compartiment congélateur, peut provoquer des brûlures.

- L'identification des emballages est importante : indiquez la date de congélation du produit, et respectez la durée de conservation indiquée par le fabricant.

4.5 Conseils pour la conservation des produits surgelés et congelés du commerce

Pour obtenir les meilleures performances possibles :

- assurez-vous que les denrées surgelées achetées dans le commerce ont été correctement entreposées par le vendeur ;
- prévoyez un temps réduit au minimum pour le transport des denrées du magasin d'alimentation à votre domicile ;
- évitez d'ouvrir trop souvent la porte du congélateur et ne la laissez ouverte que le temps nécessaire ;
- une fois décongelés, les aliments se détériorent rapidement et ne peuvent pas être recongelés ;
- ne dépassez pas la durée de conservation indiquée par le fabricant.

5. ENTRETIEN ET NETTOYAGE



ATTENTION

débrancher l'appareil avant toute opération d'entretien.



Cet appareil contient des hydrocarbures dans son circuit réfrigérant : l'entretien et la recharge ne doivent donc être effectués que par du personnel autorisé.



Ne pas tirer, déplacer ou endommager les tuyaux et/ou câbles qui se trouvent à l'intérieur de l'appareil.

Ne JAMAIS utiliser de produits abrasifs ou caustiques ni d'éponges avec grattoir pour nettoyer l'intérieur de façon à ne pas l'abîmer et laisser de fortes odeurs.

5.1 Nettoyage périodique

Cet appareil doit être nettoyé régulièrement :

- Nettoyez l'intérieur et tous les accessoires avec de l'eau tiède savonneuse.
- Vérifiez régulièrement les joints de porte et nettoyez-les en les essuyant pour éviter toute accumulation de déchets.
- Rincez et séchez soigneusement.

Nettoyer le condenseur (grille noire) et le compresseur situés à l'arrière de l'appareil avec une brosse ou un aspirateur. Cette opération améliore les performances de l'appareil et permet des économies d'énergie.



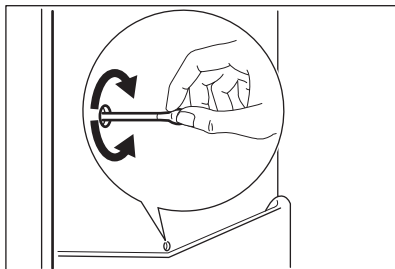
Attention à ne pas endommager le système de réfrigération.

De nombreux détergents pour la cuisine recommandés par les fabricants contiennent des produits chimiques qui peuvent attaquer/endommager les pièces en plastique utilisées dans cet appareil. Il est par

conséquent recommandé d'utiliser seulement de l'eau chaude additionnée d'un peu de savon liquide pour nettoyer la carrosserie de l'appareil.

Après le nettoyage, rebranchez l'appareil.

5.2 Dégivrage du réfrigérateur



En fonctionnement normal, le givre est automatiquement éliminé de l'évaporateur du compartiment réfrigérateur à chaque fois que le compresseur s'arrête. L'eau de dégivrage est collectée, via un orifice d'évacuation, dans un récipient spécial situé à l'arrière de l'appareil, au-dessus du compresseur, d'où elle s'évapore. Il est important de nettoyer régulièrement l'orifice d'écoulement de la gouttière d'évacuation de l'eau de dégivrage située au milieu du compartiment réfrigérateur pour empêcher l'eau de déborder et de couler à l'intérieur de l'appareil.

5.3 Dégivrage du congélateur

Une certaine quantité de givre se forme toujours sur les clayettes du congélateur et autour du compartiment supérieur. Dégivrez le congélateur lorsque l'épaisseur de la couche de givre est comprise entre 3 et 5 mm.



Afin d'assurer une réserve de froid suffisante durant cette opération, réglez le thermostat sur le niveau le plus haut environ 12 heures avant de procéder au dégivrage.

Pour enlever le givre, suivez les instructions ci-dessous :

1. Éteignez l'appareil.
2. Sortez les denrées congelées, enveloppez-les dans plusieurs feuilles de papier journal et conservez-les dans un endroit frais.



ATTENTION

Ne touchez pas les produits congelés et les surfaces givrées avec les mains humides. Risque de brûlures ou d'arrachement de la peau.

3. Laissez la porte ouverte.



Le dégivrage peut être accéléré en plaçant un récipient d'eau chaude dans le compartiment congélateur. Retirez également les morceaux de glace au fur et à mesure qu'ils se détachent, avant que le processus de dégivrage ne soit terminé.

4. Une fois le dégivrage terminé, séchez bien l'intérieur.
5. Mettez l'appareil en marche.
6. Attendez deux à trois heures avant de replacer les denrées surgelées ou congelées dans le compartiment.



N'utilisez en aucun cas d'objets métalliques ou tranchants pour gratter la couche de givre sur le revêtement intérieur, car vous risqueriez de le détériorer. N'utilisez aucun dispositif mécanique ou autre moyen artificiel pour accélérer le processus de dégivrage hormis ceux recommandés dans cette notice d'utilisation. Une élévation de la température des denrées congelées, pendant le dégivrage, peut réduire leur durée de conservation.

5.4 En cas d'absence prolongée ou de non-utilisation

Prenez les précautions suivantes :

- **débranchez l'appareil**
- retirez tous les aliments
- dégivrez si nécessaire et nettoyez l'appareil ainsi que tous les accessoires
- laissez la porte/les portes entrouverte(s) pour prévenir la formation d'odeurs désagréables.

Si, toutefois, vous n'avez pas la possibilité de débrancher et vider l'appareil, faites vérifier régulièrement son bon fonctionnement pour éviter la détérioration des aliments en cas de panne de courant.

6. EN CAS D'ANOMALIE DE FONCTIONNEMENT



AVERTISSEMENT

Avant de résoudre les problèmes, débranchez l'appareil. La résolution des problèmes, non mentionnés dans le présent manuel, doit être exclusivement confiée à un électricien qualifié ou une personne compétente.



Certains bruits pendant le fonctionnement (compresseur, système réfrigérant) sont normaux.

Problème	Cause possible	Solution
L'appareil ne fonctionne pas. L'éclairage ne fonctionne pas.	L'appareil est éteint.	Mettez l'appareil en marche.
	La fiche du câble d'alimentation n'est pas correctement insérée dans la prise de courant.	Branchez correctement la fiche du câble d'alimentation dans la prise de courant.
L'ampoule ne fonctionne pas.	Le courant n'arrive pas à l'appareil. La prise de courant n'est pas alimentée.	Branchez un autre appareil électrique à la prise de courant. Contactez un électricien qualifié.
	L'ampoule est en mode veille.	Fermez puis ouvrez la porte.
Le compresseur fonctionne en permanence.	L'ampoule est défectueuse.	Reportez-vous au chapitre « Remplacement de l'ampoule ».
	La température n'est pas réglée correctement.	Sélectionnez une température plus élevée.
	La porte n'est pas fermée correctement.	Reportez-vous au chapitre « Fermeture de la porte ».
	La porte a été ouverte trop souvent.	Ne laissez pas la porte ouverte plus longtemps que nécessaire.

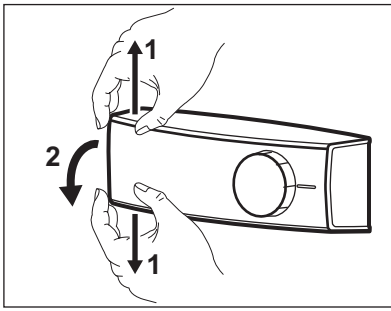
Problème	Cause possible	Solution
	La température du produit est trop élevée.	Laissez le produit revenir à température ambiante avant de le placer dans l'appareil.
	La température ambiante est trop élevée.	Diminuez la température ambiante.
De l'eau s'écoule sur la plaque arrière du réfrigérateur.	Pendant le dégivrage automatique, le givre fond sur la plaque arrière.	Ce phénomène est normal.
De l'eau s'écoule dans le réfrigérateur.	L'orifice d'écoulement de l'eau de dégivrage est obstrué.	Nettoyez l'orifice d'écoulement de l'eau de dégivrage.
	Des produits empêchent l'eau de s'écouler dans le réservoir d'eau.	Assurez-vous que les produits ne touchent pas la plaque arrière.
De l'eau coule sur le sol.	Le tuyau d'évacuation de l'eau de dégivrage ne s'écoule pas dans le bac d'évaporation situé au-dessus du compresseur.	Fixez le tuyau d'évacuation de l'eau au bac d'évaporation de l'eau de dégivrage.
La température à l'intérieur de l'appareil est trop basse/ élevée.	Le thermostat n'est pas réglé correctement.	Augmentez/réduisez la température.
La température du réfrigérateur est trop élevée.	L'air froid ne circule pas dans l'appareil.	Assurez-vous que de l'air froid circule dans l'appareil.
La température du congélateur est trop élevée.	Les produits sont trop près les uns des autres.	Stockez les produits de façon à permettre la circulation de l'air froid.
Il y a trop de givre.	Les aliments ne sont pas correctement emballés.	Emballer les aliments correctement.
	La porte n'est pas fermée correctement.	Reportez-vous au chapitre « Fermeture de la porte ».
	Le thermostat n'est pas réglé correctement.	Sélectionnez une température plus élevée.

6.1 Remplacement de l'éclairage



ATTENTION

Débranchez la fiche de l'appareil de la prise secteur.



1. Dans le même temps, placez vos doigts en haut et en bas du diffuseur transparent et glissez-le dans le sens indiqué par les flèches pour le détacher.
2. Remplacez l'ampoule par une ampoule de puissance et de forme identiques, spécifiquement conçue pour les appareils électroménagers. (La puissance maximale est indiquée sur le diffuseur.)
3. Remontez le diffuseur de l'ampoule.
4. Branchez la fiche de l'appareil à la prise secteur.
5. Ouvrez la porte. Vérifiez que l'ampoule s'allume.

6.2 Fermeture de la porte

1. Nettoyez les joints de la porte.
2. Si nécessaire, ajustez la porte. Reportez-vous au chapitre « Installation ».

3. Si nécessaire, remplacez les joints de porte défectueux. Contactez votre service après-vente.

7. INSTALLATION



AVERTISSEMENT

Pour votre sécurité et le bon fonctionnement de l'appareil, veuillez lire attentivement les "Consignes de sécurité" avant d'installer l'appareil.

7.1 Emplacement

Installez cet appareil à un endroit où la température ambiante correspond à la classe climatique indiquée sur la plaque signalétique de l'appareil :

Classe climatique	Température ambiante
SN	+10 à + 32 °C
N	+16 à + 32 °C
ST	+16 à + 38 °C
T	+16 à + 43 °C

7.2 Branchement électrique

Votre appareil ne peut être branché qu'en 230 V monophasé. Vérifiez que le compteur électrique est peut supporter l'intensité absorbée par votre appareil compte

tenu des autres appareils déjà branchés. Calibre des fusibles en ligne (un par phase) : 10 A à 230 V.



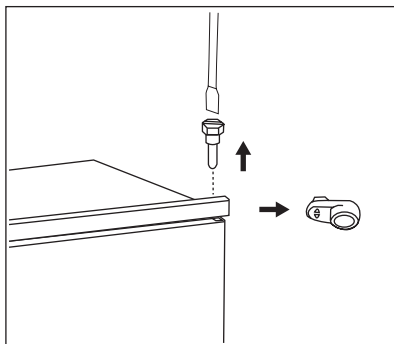
L'installation doit être réalisée conformément aux règles de l'art, aux prescriptions de la norme NF.C.15100 et aux prescriptions des fournisseurs d'énergie électrique.

Utilisez un socle de prise de courant comportant une borne de mise à la terre, qui doit être obligatoirement raccordée conformément à la norme NF.C. 15100 et aux prescriptions des fournisseurs d'énergie électrique ; cette prise de courant doit impérativement être accessible. Si le câble d'alimentation est endommagé, il doit être remplacé par un câble d'alimentation certifié. Cette opération ne peut être effectuée que par une personne habilitée, par votre vendeur, ou par le fabricant. L'appareil ne doit pas être raccordé à l'aide d'un prolongateur, d'une prise multiple ou d'un raccordement multiple (risque d'incendie). Vérifiez que la prise de terre est conforme aux règlements en vigueur.

Notre responsabilité ne saurait être engagée en cas d'accidents ou d'incidents

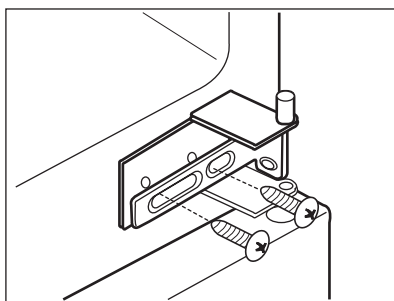
provoqués par une mise à la terre inexistante ou défectueuse.

7.3 Réversibilité de la porte

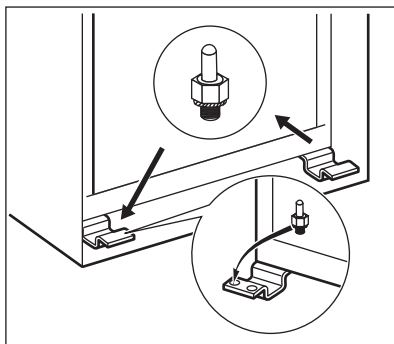


La porte de l'appareil s'ouvre vers la droite. Pour modifier le sens d'ouverture de la porte (vers la gauche), effectuez les opérations suivantes avant d'installer définitivement l'appareil :

- Dévissez, puis retirez le pivot supérieur.
- Retirez la porte supérieure.
- Retirez l'entretoise.

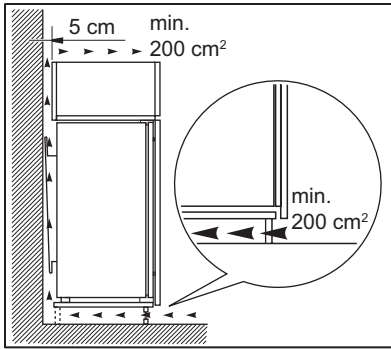


- Desserrez la charnière intermédiaire.
- Retirez la porte inférieure.



- Dévissez, puis retirez le pivot inférieur.
- Du côté opposé :
- Serrez le pivot inférieur.
 - Mettez en place la porte inférieure.
 - Serrez la charnière intermédiaire.
 - Mettez en place l'entretoise.
 - Mettez en place la porte supérieure.
 - Serrez le pivot supérieur.

7.4 Ventilation



Veillez à garantir une circulation d'air suffisante à l'arrière de l'appareil.

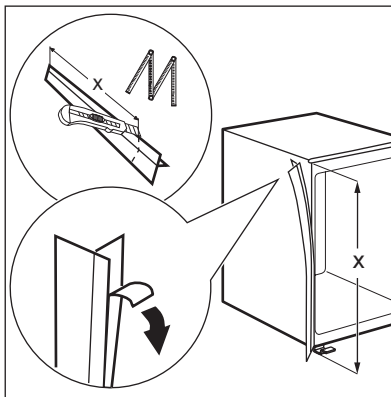
7.5 Installation de l'appareil

Procédez comme suit :

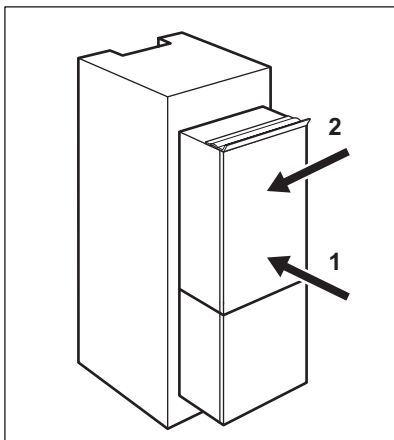


ATTENTION

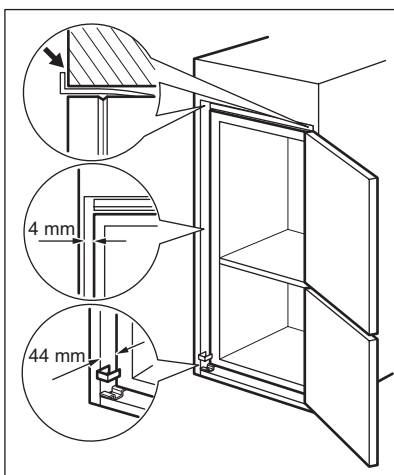
Assurez-vous que le cordon d'alimentation n'est pas coincé sous l'appareil.



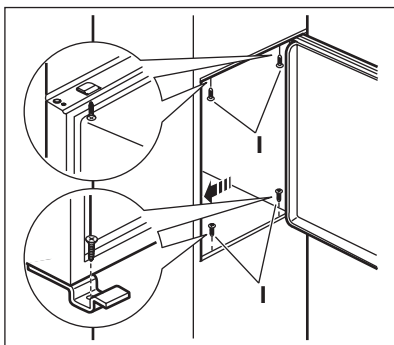
Si nécessaire, coupez la bande d'étanchéité adhésive puis appliquez-la sur l'appareil, comme indiqué sur la figure.



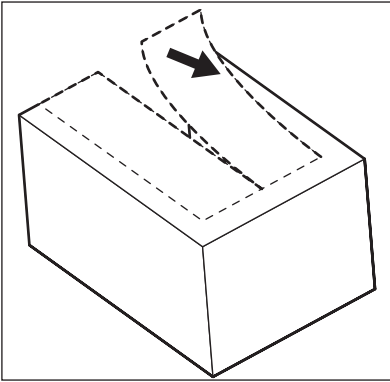
Insérez l'appareil dans le meuble d'encastrement.
 Poussez l'appareil dans la direction indiquée par la flèche (1) jusqu'à ce que la partie couvrant l'interstice en haut de l'appareil butte contre le meuble de cuisine.
 Poussez l'appareil dans la direction indiquée par la flèche (2) contre le meuble, du côté opposé à la charnière.



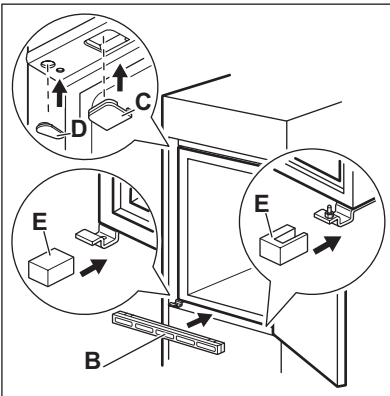
Ajustez la position de l'appareil dans le meuble d'encastrement.
 Assurez-vous que la distance entre l'appareil et le bord avant du meuble est de 44 mm.
 Le cache de la charnière inférieure (dans le sachet d'accessoires) vous permet de vérifier que la distance entre l'appareil et le meuble de cuisine est correcte.
 Assurez-vous que l'écart entre l'appareil et le meuble est de 4 mm.
 Ouvrez la porte. Mettez en place le cache de la charnière inférieure.



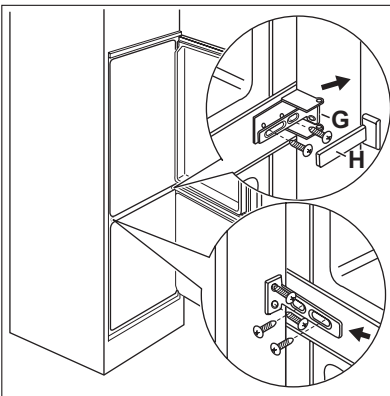
Fixez l'appareil au meuble d'encastrement à l'aide de 4 vis.



Retirez la pièce correcte du cache-charnière (E). Assurez-vous que vous retirez bien la pièce DX s'il s'agit de la charnière droite, SX s'il s'agit de l'autre charnière.

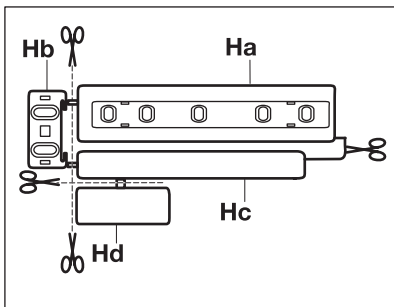


Fixez les protections (C, D) sur les ergots et dans les trous des charnières. Mettez en place la grille d'aération (B). Fixez les cache-charnières (E) sur la charnière.

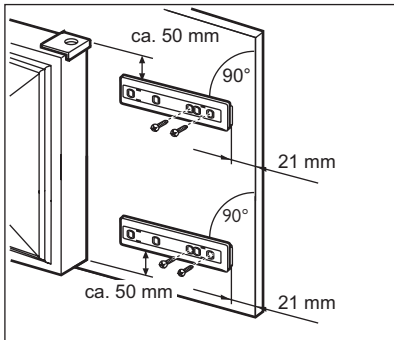


Placez l'appareil contre la paroi latérale du meuble de cuisine :

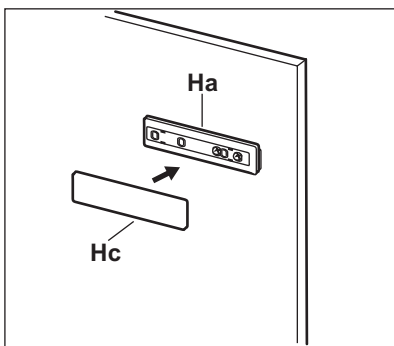
1. Desserrez les vis de la pièce (G) et déplacez la pièce (G) jusqu'à la paroi latérale du meuble.
2. Serrez de nouveau la vis de la pièce (G).
3. Fixez la pièce (H) à la pièce (G).



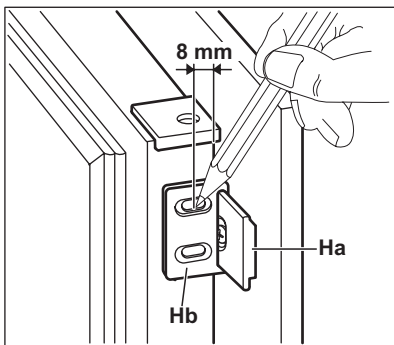
Détachez les pièces (Ha), (Hb), (Hc) et (Hd).



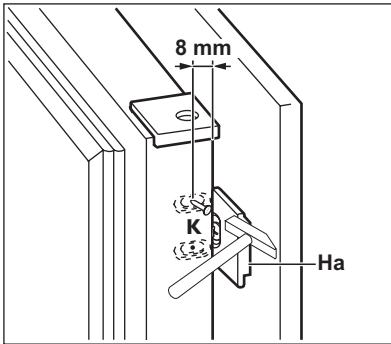
Mettez en place la pièce (Ha) sur la face intérieure du meuble de cuisine.



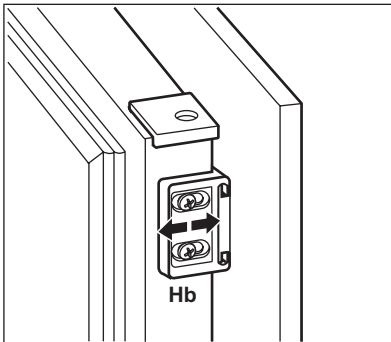
Poussez la pièce (Hc) sur la pièce (Ha).



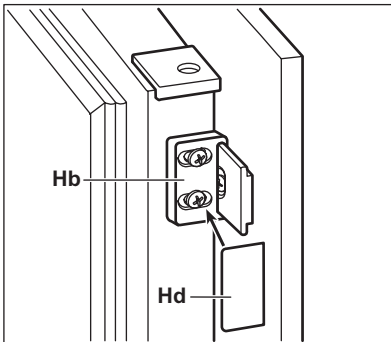
Ouvrez la porte de l'appareil et la porte du meuble de cuisine à un angle de 90°. Insérez le petit carré (Hb) dans le guide (Ha). Joignez la porte de l'appareil et la porte du meuble et repérez les trous.



Retirez les supports et repérez une distance de 8 mm à partir de l'arête extérieure de la porte où le clou doit être posé (K).



Placez de nouveau le petit carré sur le guide et fixez-le à l'aide des vis fournies. Alignez la porte du meuble de cuisine et celle de l'appareil en réglant la pièce (Hb).

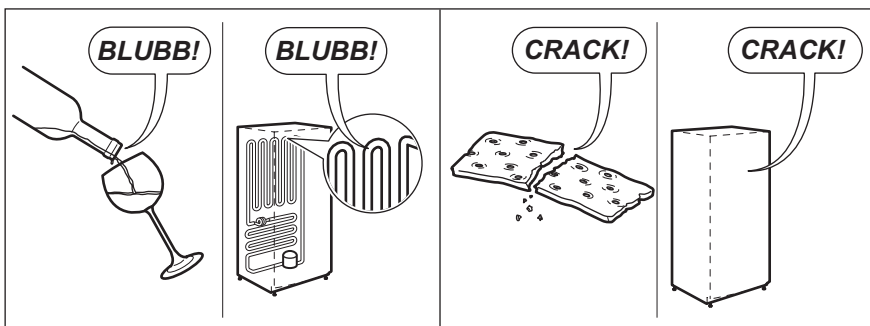
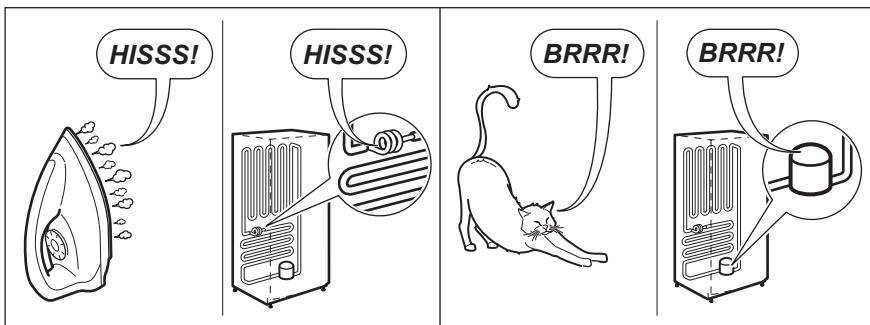
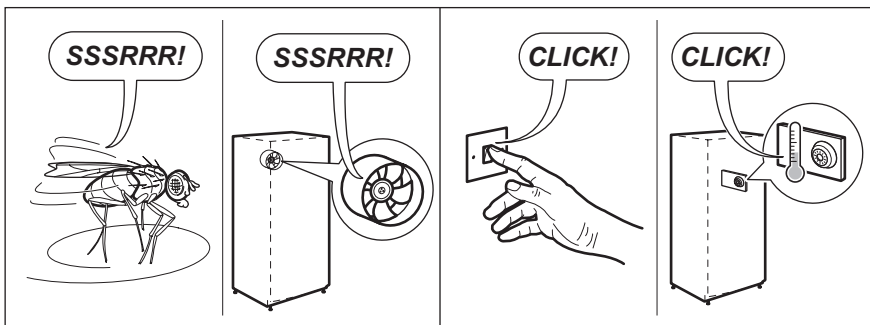
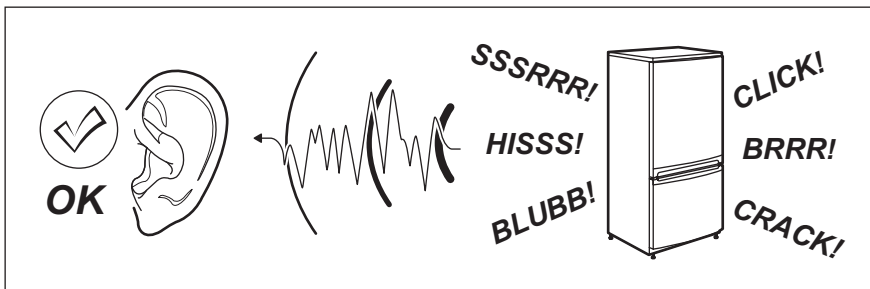


Appuyez la pièce (Hd) sur la pièce (Hb). Faites une dernière vérification pour vous assurer que :

- Toutes les vis sont bien serrées.
- Le joint d'étanchéité est solidement fixé au meuble.
- La porte s'ouvre et se ferme correctement.

8. BRUITS

L'appareil émet certains bruits pendant son fonctionnement (compresseur, circuit frigorifique).





9. CARACTÉRISTIQUES TECHNIQUES

Dimensions de la niche d'encastrement		
	Hauteur	1780 mm
	Largeur	560 mm
	Profondeur	550 mm
Temps de levée		22 h
Tension		230-240 V
Fréquence		50 Hz

Les caractéristiques techniques figurent sur la plaque signalétique située sur le côté gauche à l'intérieur de l'appareil et sur l'étiquette énergétique.

10. EN MATIÈRE DE PROTECTION DE L'ENVIRONNEMENT

Recyclez les matériaux portant le symbole . Déposez les emballages dans les conteneurs prévus à cet effet. Contribuez à la protection de l'environnement et à votre sécurité, recyclez vos produits électriques et

électroniques. Ne jetez pas les appareils portant le symbole  avec les ordures ménagères. Emmenez un tel produit dans votre centre local de recyclage ou contactez vos services municipaux.

INDICE

1. ISTRUZIONI DI SICUREZZA	43
2. USO DELL'APPARECCHIO	45
3. UTILIZZO QUOTIDIANO	46
4. CONSIGLI E SUGGERIMENTI UTILI	47
5. PULIZIA E CURA	48
6. COSA FARE SE...	50
7. INSTALLAZIONE	52
8. RUMORI	58
9. DATI TECNICI	60

PENSATI PER VOI

Grazie per aver acquistato un'apparecchiatura Electrolux. Avete scelto un prodotto che ha alle spalle decenni di esperienza professionale e innovazione. Ingegnoso ed elegante, è stato progettato pensando a voi. Quindi, in qualsiasi momento desiderate utilizzarlo, potete esser certi di ottenere sempre i migliori risultati.

Benvenuti in Electrolux.

Visitate il nostro sito web per:



ricevere consigli, scaricare i nostri opuscoli, eliminare eventuali anomalie, ottenere informazioni sull'assistenza.

www.electrolux.com



registrare il vostro prodotto e ricevere un servizio migliore:

www.electrolux.com/productregistration



acquistare accessori, materiali di consumo e ricambi originali per la vostra apparecchiatura:

www.electrolux.com/shop

SERVIZIO CLIENTI E MANUTENZIONE

Consigliamo sempre l'impiego di ricambi originali.

Quando si contatta l'Assistenza, accertarsi di disporre dei seguenti dati.

Le informazioni si trovano sulla targhetta di identificazione. Modello, numero dell'apparecchio (PNC), numero di serie.



Avvertenza / Attenzione - Importanti Informazioni di Sicurezza



Informazioni e consigli generali



Informazioni in materia di sicurezza ambientale

Con riserva di modifiche.

1. ISTRUZIONI DI SICUREZZA

Per garantire un impiego corretto e sicuro dell'apparecchio, prima dell'installazione e del primo utilizzo leggere con attenzione il libretto istruzioni, inclusi i suggerimenti e le avvertenze. Per evitare errori e incidenti, è importante garantire che tutte le persone che utilizzano l'apparecchio ne conoscano il funzionamento e le caratteristiche di sicurezza. Conservare queste istruzioni e accertarsi che rimangano unite all'apparecchio in caso di vendita o trasloco, in modo che chiunque lo utilizzi sia correttamente informato sull'uso e sulle norme di sicurezza.

Per la sicurezza delle persone e delle cose osservare le precauzioni indicate nelle presenti istruzioni per l'utente, il prodotto non è responsabile dei danni provocati da eventuali omissioni.

1.1 Sicurezza dei bambini e delle persone fragili

- Questo apparecchio non deve essere usato da persone, bambini inclusi, con ridotte capacità fisiche, sensoriali o psichiche, oppure prive di conoscenza e esperienza, a meno che non siano state istruite all'uso dell'apparecchio da parte dei responsabili della loro sicurezza, oppure sotto vigilanza di questi.

I bambini devono essere sorvegliati per assicurarsi che non giochino con l'apparecchio.

- Tenere i materiali di imballaggio al di fuori della portata dei bambini. Alcuni materiali possono creare rischi di soffocamento.
- Qualora l'apparecchio venga demolito, estrarre la spina dalla presa, tagliare il cavo di collegamento (il più vicino possibile all'apparecchio) e smontare lo sportello per evitare che i bambini giocando possano subire scosse elettriche o chiudersi dentro l'apparecchio.
- Se questo nuovo apparecchio, che è dotato di guarnizioni magnetiche nello sportello, va a sostituirne uno più vecchio avente sportello o coperchio con chiusure a molla, si deve rendere inutilizzabili tali chiusure prima di eliminare l'apparecchio sostituito, per evitare che

diventi una trappola mortale per i bambini.

1.2 Norme di sicurezza generali



AVVERTENZA!

Verificare che le aperture di ventilazione, sia sull'apparecchiatura che nella struttura da incasso, siano libere da ostruzioni.

- L'apparecchiatura è progettata per la conservazione domestica di alimenti e/o bevande e usi affini:
 - cucine di negozi, uffici e altri ambienti di lavoro;
 - fattorie e clienti di hotel, motel e altri ambienti residenziali;
 - bed and breakfast;
 - catering e usi simili non di vendita.
- Non utilizzare dispositivi meccanici o altri mezzi artificiali per accelerare lo sbrinamento.
- Non utilizzare altre apparecchiature elettriche (per esempio gelatiere) all'interno del frigorifero, salvo quelle approvate per tale scopo dal produttore.
- Non danneggiare il circuito refrigerante.
- Il circuito refrigerante dell'apparecchiatura contiene isobutano (R600a), un gas naturale con un elevato livello di compatibilità ambientale che, tuttavia, è infiammabile.

Durante il trasporto e l'installazione dell'apparecchiatura, assicurarsi che nessuno dei componenti del circuito refrigerante venga danneggiato.

In caso di danneggiamento del circuito refrigerante:

- evitare fiamme libere e scintille
- aerare bene il locale in cui si trova l'apparecchiatura
- È pericoloso cambiare le specifiche o modificare il prodotto in qualunque modo. Un danneggiamento del cavo potrebbe provocare cortocircuiti, incendi e/o scosse elettriche.

**AVVERTENZA!**

Tutti i componenti elettrici (cavo di alimentazione, spina, compressore) devono essere sostituiti da un tecnico certificato o da personale d'assistenza qualificato al fine di evitare di correre rischi.

1. Non collegare prolunghe al cavo di alimentazione.
 2. Evitare che il lato posteriore dell'apparecchiatura possa schiacciare o danneggiare la spina, causandone il surriscaldamento con un conseguente rischio di incendio.
 3. La spina dell'apparecchiatura deve trovarsi in una posizione accessibile.
 4. Evitare di tirare il cavo di alimentazione.
 5. Se la presa elettrica non è perfettamente stabile, non inserire la spina. Il collegamento potrebbe provocare scosse elettriche o creare un rischio di incendio.
 6. L'apparecchiatura non deve essere messa in funzione senza il copri-lampada interno (se previsto).
- Questa apparecchiatura è pesante. Procedere con cautela durante gli spostamenti.
 - Evitare di estrarre o di toccare gli alimenti riposti nel vano congelatore con le mani bagnate o umide; il contatto potrebbe provocare abrasioni o ustioni da freddo.
 - Evitare un'esposizione prolungata dell'apparecchiatura alla luce solare diretta.
 - Le lampadine utilizzate in questa apparecchiatura (se previste) sono lampadine speciali selezionate esclusivamente per elettrodomestici. Non sono adatte per l'illuminazione degli ambienti.

1.3 Uso quotidiano

- Non collocare pentole calde sulle parti in plastica dell'apparecchio.
- Non collocare gas e liquidi infiammabili nell'apparecchio, perché potrebbero esplodere.
- Evitare di appoggiare gli alimenti contro la presa d'aria situata nella parete po-

steriore (per le apparecchiature di tipo no-frost)

- Gli alimenti congelati non devono essere ricongelati una volta scongelati.
- Riporre gli alimenti surgelati preconfezionati secondo le istruzioni del produttore dell'alimento surgelato.
- Osservare rigorosamente i consigli per la conservazione degli alimenti del produttore dell'apparecchio. Vedere le relative istruzioni.
- Non collocare bevande gassate o frizzanti nello scomparto congelatore perché creano pressione sul recipiente che può esplodere danneggiando l'apparecchio.
- I ghiaccioli possono provocare bruciate da gelo se consumati immediatamente dopo averli tolti dall'apparecchio.

1.4 Pulizia e cura

- Prima della manutenzione, spegnere l'apparecchio e staccare la spina dalla presa.
- Non pulire l'apparecchio con oggetti metallici.
- Non usare oggetti appuntiti per rimuovere la brina dall'apparecchio. Usare un raschietto di plastica.
- Esaminare regolarmente il foro di scarico dell'acqua di sbrinatorio nel frigorifero. Se necessario, pulirlo. Se il foro è otturato, l'acqua si raccoglie sul fondo dell'apparecchio.

1.5 Installazione

Per il collegamento elettrico, seguire attentamente le istruzioni dei paragrafi corrispondenti.

- Disimballare l'apparecchio e assicurarsi che non presenti danni. Non collegare l'apparecchio se è danneggiato. Segnalare immediatamente gli eventuali danni al negozio in cui è stato acquistato. In questo caso conservare l'imballaggio.
- Si consiglia di attendere almeno due ore prima di collegare l'apparecchio per consentire all'olio di arrivare nel compressore.
- Attorno all'apparecchio vi deve essere un'adeguata circolazione dell'aria, altri-

menti si può surriscaldare. Per ottenere una ventilazione sufficiente seguire le istruzioni di installazione.

- Se possibile il retro dell'apparecchio dovrebbe essere posizionato contro una parete per evitare di toccare le parti calde o di rimanervi impigliati (compressore, condensatore), evitando così possibili scottature.
- L'apparecchio non deve essere posto vicino a radiatori o piani di cottura a gas.
- Installare l'apparecchio in modo che la presa rimanga accessibile.
- Collegare solo a sorgenti d'acqua potabile (se è previsto un collegamento alla rete idrica).

1.6 Assistenza tecnica

- Gli interventi elettrici sull'apparecchiatura devono essere eseguiti esclusivamente da elettricisti qualificati o da personale competente.
- Gli interventi di assistenza devono essere eseguiti esclusivamente da tecnici

autorizzati e utilizzando solo ricambi originali.

1.7 Tutela ambientale



Questo apparecchio non contiene gas che potrebbero danneggiare lo strato di ozono nel circuito refrigerante o nei materiali isolanti.

L'apparecchio non deve essere smaltito assieme ai rifiuti urbani e alla spazzatura. La schiuma dell'isolamento contiene gas infiammabili: lo smaltimento dell'apparecchio va eseguito secondo le prescrizioni vigenti da richiedere alle autorità locali. Evitare di danneggiare il gruppo refrigerante, specialmente nella parte posteriore vicino allo scambiatore di calore. I materiali usati su questo apparecchio contrassegnati dal simbolo



sono riciclabili.

2. USO DELL'APPARECCHIO

2.1 Accensione

Inserire la spina nella presa.
Ruotare il termostato in senso orario fino a una regolazione media.

2.2 Spegnimento

Per spegnere l'apparecchio, ruotare il termostato in posizione "O".

2.3 Regolazione della temperatura

La temperatura è regolata automaticamente.
Per utilizzare l'apparecchio, procedere come segue:

- ruotare il termostato verso una regolazione bassa per un raffreddamento minimo.
- ruotare il termostato verso una regolazione alta per un raffreddamento massimo.



Una regolazione media è in genere la più adatta.

Tuttavia la regolazione esatta dovrebbe essere scelta tenendo a mente che la temperatura all'interno dell'apparecchio dipende da:

- temperatura ambiente
- frequenza di apertura della porta
- quantità di cibo conservato
- posizione dell'apparecchio.



Se la temperatura ambiente è elevata o l'apparecchio è a pieno carico ed è regolato su temperature minime, può funzionare in continuo causando la formazione di brina sulla parete posteriore. In questo caso la manopola deve essere regolata su una temperatura per consentire lo sbrinamento automatico riducendo così il consumo di energia.

3. UTILIZZO QUOTIDIANO

3.1 Pulizia dell'interno

Prima di utilizzare l'apparecchio per la prima volta, lavare l'interno e gli accessori interni con acqua tiepida e un po' di sapone neutro in modo a togliere il tipico odore dei prodotti nuovi, quindi asciugare accuratamente.



Non usare detergenti corrosivi o polveri abrasive che danneggiano le finiture.

3.2 Congelazione dei cibi freschi

Il vano congelatore è adatto alla congelazione di cibi freschi e alla conservazione a lungo termine di cibi congelati e surgelati. Per congelare cibi freschi non è necessario cambiare la regolazione media.

Tuttavia, per un'operazione di congelamento più rapida, ruotare il termostato verso una regolazione più alta per ottenere il massimo raffreddamento.



In questa condizione la temperatura del vano frigorifero può scendere sotto 0°C. In questo caso riportare il termostato verso una regolazione più calda.

Riporre i cibi freschi da congelare nel comparto superiore.

3.3 Conservazione dei surgelati

Al primo avvio o dopo un periodo di non utilizzo, lasciare in funzione l'apparecchia-

tura per almeno 2 ore con una regolazione alta prima di introdurre gli alimenti.



Se si verifica un'interruzione della corrente elettrica di durata superiore al "tempo di risalita" indicato nella tabella dei dati tecnici, il cibo scongelato deve essere consumato rapidamente o cucinato immediatamente e quindi ricongelato (dopo il raffreddamento).

3.4 Scongellamento

Prima dell'utilizzo, i cibi surgelati o congelati possono essere scongelati nel vano frigorifero o a temperatura ambiente, in funzione del tempo disponibile per questa operazione.

I pezzi piccoli possono addirittura essere cucinati ancora congelati, direttamente dal congelatore: in questo caso la cottura durerà più a lungo.

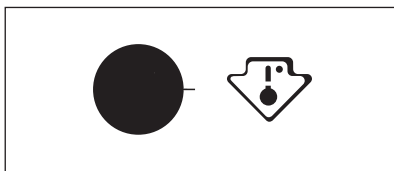
3.5 Produzione di cubetti di ghiaccio

Questo apparecchio è equipaggiato con una o più vaschette per la produzione di cubetti di ghiaccio. Riempire d'acqua le vaschette quindi inserirle nel vano congelatore.



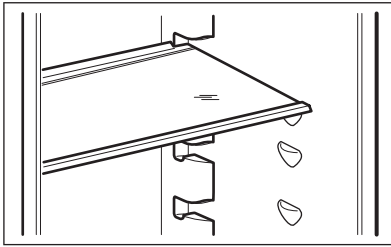
Non usare strumenti metallici per rimuovere le vaschette dal congelatore.

3.6 Spia della temperatura



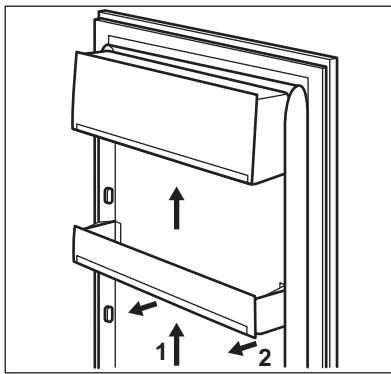
Questa apparecchiatura viene venduta anche in Francia. Per rispettare la normativa vigente in questo paese, essa deve essere dotata di un particolare dispositivo, posto nella parte bassa della cella frigorifero (vedi figura) per segnalare la zona più fredda del vano.

3.7 Ripiani rimovibili



Le guide presenti sulle pareti del frigorifero permettono di posizionare i ripiani a diverse altezze.

3.8 Posizionamento dei ripiani della porta



Per facilitare l'introduzione di alimenti di diverse dimensioni, i ripiani della porta possono essere posizionati ad altezze differenti.

Per regolare l'altezza dei ripiani, procedere come segue:

tirare delicatamente il ripiano nella direzione indicata dalle frecce fino a sganciarlo, quindi riposizionarlo dove necessario.

4. CONSIGLI E SUGGERIMENTI UTILI

4.1 Consigli per il risparmio energetico

- Non aprire frequentemente la porta e non lasciarla aperta più di quanto assolutamente necessario.
- Se la temperatura ambiente è elevata, il termostato è impostato su una regolazione alta e l'apparecchio è a pieno carico, il compressore può funzionare in continuo causando la formazione di brina o ghiaccio sull'evaporatore. In questo caso, ruotare il termostato su una regolazione più bassa per consentire lo scongelamento automatico risparmiando così energia.

4.2 Consigli per la refrigerazione di cibi freschi

Per ottenere i migliori risultati:

- non riporre nel frigorifero cibi caldi o liquidi in fase di evaporazione
- coprire o avvolgere il cibo, in particolare se emana un odore forte
- posizionare il cibo in modo che l'aria possa circolare liberamente attorno ad esso

4.3 Consigli per la refrigerazione

Consigli utili:

Carne (tutti i tipi): avvolgerla in sacchetti di polietilene e collocarla sul ripiano di vetro sopra il cassetto delle verdure.

Per motivi di sicurezza, conservarla in queste condizioni solo per uno o due giorni al massimo.

Cibi cucinati, piatti freddi ecc...: dovrebbero essere coperti e possono essere collocati su qualsiasi ripiano.

Frutta e verdura: dovrebbero essere pulite accuratamente e collocate nell'apposito/i cassetto/i speciale/i.

Burro e formaggio: dovrebbero essere posti in contenitori ermetici speciali o avvolti in pellicole di alluminio o sacchetti di polietilene per escludere per quanto possibile l'aria.

Bottiglie di latte: dovrebbero essere tappate e conservate nell'apposito ripiano sulla porta.

Non conservare nel frigorifero banane, patate, cipolle o aglio se non sono confezionati.

4.4 Consigli per il congelamento

Per un processo di congelamento ottimale, ecco alcuni consigli importanti:

- la quantità massima di cibo che può essere congelata in 24 h è riportata sulla targhetta;
- il processo di congelamento dura 24 ore. In questo periodo non aggiungere altro cibo da congelare;
- congelare solo alimenti freschi, di ottima qualità e accuratamente puliti;
- preparare il cibo in piccole porzioni per consentire un congelamento rapido e completo e per scongelare in seguito solo la quantità necessaria;
- avvolgere il cibo in pellicole di alluminio o in polietilene e verificare che i pacchetti siano ermetici;

- non lasciare che cibo fresco non congelato entri in contatto con quello già congelato, per evitare un aumento della temperatura in quest'ultimo;
- i cibi magri si conservano meglio e più a lungo di quelli grassi; il sale riduce il periodo di conservazione del cibo;
- i ghiaccioli, se consumati immediatamente dopo la rimozione dal vano congelatore, possono causare ustioni da congelamento della pelle;
- si consiglia di riportare la data di congelamento su ogni singolo pacchetto per riuscire a tenere traccia del tempo di conservazione;

4.5 Consigli per la conservazione dei surgelati

Per ottenere risultati ottimali

- Controllare che i surgelati esposti nei punti vendita non presentino segni di interruzione della catena del freddo
- Il tempo di trasferimento dei surgelati dal punto vendita al congelatore domestico deve essere il più breve possibile;
- Non aprire frequentemente la porta e limitare il più possibile i tempi di apertura;
- Una volta scongelati, gli alimenti si deteriorano rapidamente e non possono essere ricongelati;
- Non superare la durata di conservazione indicata sulla confezione.

5. PULIZIA E CURA



ATTENZIONE

Staccare la spina dell'apparecchio prima di eseguire lavori di manutenzione.



Questo apparecchio contiene idrocarburi nell'unità di raffreddamento; la manutenzione e la ricarica devono pertanto essere effettuate esclusivamente da tecnici autorizzati.

5.1 Pulizia periodica

L'apparecchio deve essere pulito regolarmente:

- Pulire l'interno e gli accessori con acqua tiepida e un po' di sapone neutro.
- Controllare regolarmente le guarnizioni della porta e verificare che siano pulite e prive di residui.

- Risciacquare e asciugare accuratamente.



Non tirare, spostare o danneggiare tubi e/o cavi all'interno dell'apparecchio.

Non usare mai detersivi, polveri abrasive, prodotti per la pulizia con una forte profumazione o cere lucidanti per pulire l'interno, in quanto danneggiano la superficie e lasciano un odore forte.

Pulire il condensatore (griglia nera) e il compressore sul retro dell'apparecchio con una spazzola. Questa operazione mi-

gliorerà le prestazioni dell'apparecchiatura riducendone i consumi di energia.

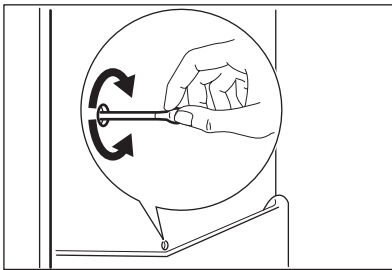


Non danneggiare il sistema di raffreddamento.

Molti detersivi per cucine di marca contengono sostanze chimiche in grado di attaccare/danneggiare la plastica impiegata in questo apparecchio. Per questo motivo si raccomanda di pulire l'involucro esterno dell'apparecchio solo con acqua calda con un po' di liquido detergente.

Dopo la pulizia, ricollegare l'apparecchio alla rete di alimentazione.

5.2 Sbrinamento del vano frigorifero



Durante l'uso normale, la brina viene eliminata automaticamente dall'evaporatore del vano frigorifero ogni volta che il motore-compressore si arresta. L'acqua di sbrinamento giunge attraverso un foro di scarico in un apposito recipiente posto sul retro dell'apparecchiatura, sopra il motore-compressore, dove evapora.

È importante pulire periodicamente il foro di scarico dell'acqua di sbrinamento, situato al centro del canale sulla parete posteriore, per evitare che l'acqua fuoriesca sugli alimenti.

5.3 Sbrinamento del congelatore

È normale che sui ripiani del congelatore e intorno allo scomparto superiore si formi, col tempo, uno strato di brina.

Quando tale strato raggiunge uno spessore di circa 3 - 5 mm, è necessario procedere allo sbrinamento del vano congelatore.



Circa 12 ore prima dello sbrinamento, impostare il termostato su una regolazione più alta per accumulare una riserva di freddo sufficiente per l'interruzione del funzionamento.

Per rimuovere la brina, procedere come segue:

1. Spegnerne l'apparecchiatura.
2. Rimuovere i surgelati, avvolgerli in alcuni strati di carta di giornale e riporli in un luogo fresco.



ATTENZIONE

Non toccare il cibo congelato con le mani bagnate. Le mani potrebbero aderire all'alimento congelato.

3. Lasciare la porta aperta.



Per accelerare il processo di sbrinamento, collocare un recipiente di acqua calda nel vano congelatore. Rimuovere inoltre i pezzi di ghiaccio che si staccano prima che lo sbrinamento sia completo.

4. Una volta completato lo sbrinamento, asciugare accuratamente l'interno.
5. Accendere l'apparecchiatura.
6. Dopo due o tre ore, reintrodurre nel vano il cibo precedentemente rimosso.



Per rimuovere la brina dal rivestimento interno, non usare utensili metallici appuntiti che possano danneggiarlo.

Non usare dispositivi meccanici o altri mezzi artificiali non raccomandati dal produttore allo scopo di accelerare il processo di sbrinamento.

Un aumento della temperatura dei surgelati durante lo sbrinamento può ridurre la loro durata di conservazione.

- **scollegare l'apparecchio dalla rete elettrica**

- rimuovere tutto il cibo
- sbrinare (se necessario) e pulire l'apparecchiatura e tutti gli accessori
- lasciare la/e porta/e socchiusa/e per evitare odori sgradevoli.

Se l'apparecchio rimane acceso, chiedere a qualcuno di controllare ogni tanto per evitare che il cibo contenuto marcisca in caso di interruzione dell'alimentazione elettrica.

5.4 Periodi di inutilizzo

Quando l'apparecchio non è utilizzato per lunghi periodi, adottare le seguenti precauzioni:

6. COSA FARE SE...



AVVERTENZA!

Prima della ricerca guasti, estrarre la spina dalla presa.

Le operazioni di ricerca guasti non descritte nel presente manuale devono essere eseguite esclusivamente da elettricisti qualificati o da personale competente.



Durante l'uso, alcuni rumori di funzionamento (come quelli del compressore o del circuito refrigerante) sono da considerarsi normali.

Problema	Causa possibile	Soluzione
L'apparecchiatura non funziona. La lampadina non si accende.	L'apparecchiatura è spenta.	Accendere l'apparecchiatura.
	La spina non è inserita correttamente nella presa di alimentazione.	Inserire correttamente la spina nella presa di alimentazione.
	L'apparecchiatura non riceve corrente. Assenza di tensione nella presa di alimentazione.	Collegare alla presa di alimentazione un'altra apparecchiatura elettrica. Rivolgersi ad un elettricista qualificato.
La lampadina non si accende.	La lampadina è in modalità stand-by.	Chiudere e riaprire la porta.
	La lampadina è difettosa.	Fare riferimento alla sezione "Sostituzione della lampadina".

Problema	Causa possibile	Soluzione
Il compressore ri- mane sempre in fun- zione.	La temperatura non è im- postata correttamente.	Impostare una temperatura superiore.
	La porta non è chiusa cor- rettamente.	Consultare la sezione "Chiusura della porta".
	La porta viene aperta trop- po frequentemente.	Limitare il più possibile il tempo di apertura della por- ta.
	La temperatura degli ali- menti è troppo alta.	Prima di mettere a conser- vare gli alimenti, lasciarli raf- freddare a temperatura am- biente.
	La temperatura ambiente è troppo alta.	Abbassare la temperatura ambiente.
Sul pannello poste- riore del frigorifero scorre acqua.	Durante lo sbrinamento automatico, la brina che si forma sul pannello poste- riore si scioglie.	Non si tratta di un'anomalia.
All'interno del frigo- rifero scorre acqua.	Lo scarico dell'acqua è ostruito.	Pulire lo scarico dell'acqua.
	Gli alimenti impediscono all'acqua di fluire nell'ap- posito collettore.	Evitare di disporre gli ali- menti a diretto contatto con il pannello posteriore.
Scorre acqua sul pavimento.	L'acqua di sbrinamento non viene scaricata nella bacinella di evaporazione posta sopra il compresso- re.	Collegare lo scarico dell'ac- qua di sbrinamento alla ba- cinella di evaporazione.
La temperatura al- l'interno dell'appa- recchiatura è troppo bassa/alta.	Il regolatore della tempera- tura non è impostato cor- rettamente.	Impostare una temperatura superiore/inferiore.
La temperatura nel frigorifero è troppo alta.	L'aria fredda non circola correttamente all'interno dell'apparecchiatura.	Adottare le misure necessa- rie per garantire una corret- ta circolazione dell'aria fred- da.
La temperatura nel vano congelatore è troppo alta.	I prodotti sono troppo vici- ni tra loro.	Disporre i prodotti in modo da consentire una corretta circolazione dell'aria fredda.
Si forma troppa bri- na.	Gli alimenti non sono av- volti correttamente.	Avvolgere correttamente gli alimenti.
	La porta non è chiusa cor- rettamente.	Consultare la sezione "Chiusura della porta".

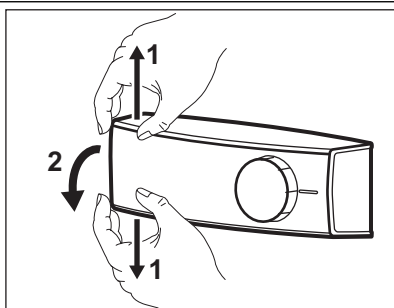
Problema	Causa possibile	Soluzione
	Il regolatore della temperatura non è impostato correttamente.	Impostare una temperatura superiore.

6.1 Sostituzione della lampadina



ATTENZIONE

Estrarre la spina dalla presa di corrente.



1. Contemporaneamente, con le dita espandere verso l'alto e verso il basso la copertura trasparente e sfilarla in direzione delle frecce.
2. Sostituire la lampadina con una della stessa potenza e forma, specificamente studiata per gli elettrodomestici (la potenza massima consentita è indicata sul coprilampada).
3. Rimontare il coprilampada.
4. Inserire la spina nella presa.
5. Aprire la porta. Controllare che la luce si accenda.

6.2 Chiusura della porta

1. Pulire le guarnizioni della porta.
2. Se necessario, regolare la porta. Vedere "Installazione".

3. Se necessario, sostituire le guarnizioni della porta difettose. Contattare il Centro di assistenza locale.

7. INSTALLAZIONE



AVVERTENZA!

Leggere con attenzione le "Informazioni per la sicurezza" per la vostra sicurezza e per il corretto funzionamento dell'apparecchio prima di procedere all'installazione.

7.1 Posizionamento

Installare questo apparecchio in un punto in cui la temperatura ambiente corrisponda alla classe climatica indicata sulla sua targhetta:

Classe climatica	Temperatura ambiente
SN	da + 10°C a + 32°C
N	da + 16°C a + 32°C
ST	da + 16°C a + 38°C
T	da + 16°C a + 43°C

7.2 Collegamento elettrico

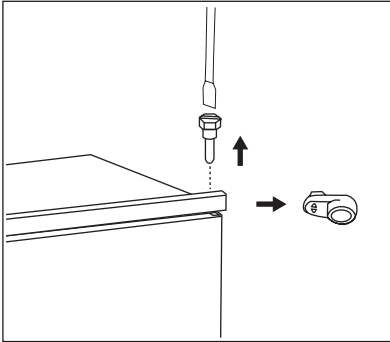
Prima di inserire la spina, verificare che la tensione e la frequenza riportate sulla targhetta corrispondano ai valori della rete elettrica domestica.

L'apparecchio deve essere collegato a massa. La spina del cavo di alimentazione è dotata di un contatto a tale scopo. Se la presa della rete elettrica domestica non è

collegata a massa, collegare l'apparecchio ad una massa separata in conformità alle norme relative alla corrente, consultando un elettricista qualificato. Il fabbricante declina qualsiasi responsabilità se le precauzioni suddette non sono rispettate.

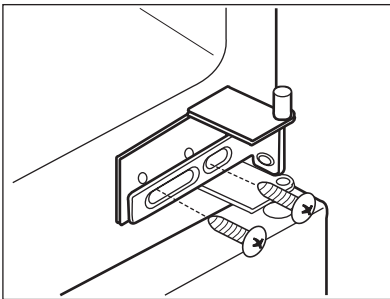
Il presente apparecchio è conforme alle direttive CEE.

7.3 Possibilità di invertire la porta

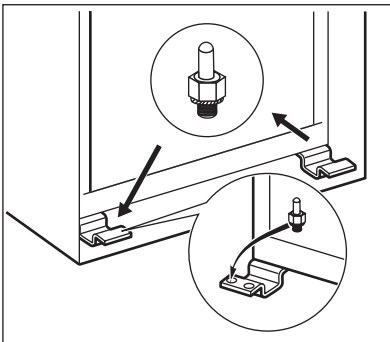


la porta dell'apparecchiatura si apre verso destra. Per aprire la porta verso sinistra, prima di installare l'apparecchiatura eseguire queste operazioni:

- Allentare e rimuovere il perno superiore.
- Rimuovere la porta superiore.
- Rimuovere il distanziale.

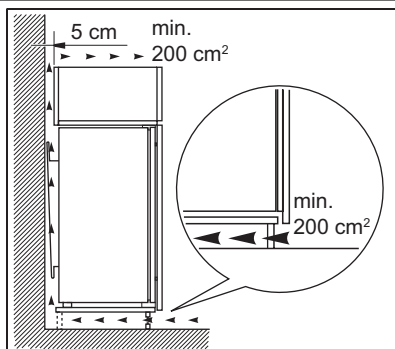


- Allentare la cerniera centrale.
- Rimuovere la porta inferiore.



- Allentare e rimuovere il perno inferiore.
- Sul lato opposto:
- Serrare il perno inferiore.
 - Installare la porta inferiore.
 - Serrare la cerniera centrale.
 - Installare il distanziatore.
 - Installare la porta superiore.
 - Serrare il perno superiore.

7.4 Requisiti di ventilazione



Il flusso d'aria dietro l'apparecchiatura deve essere sufficiente.

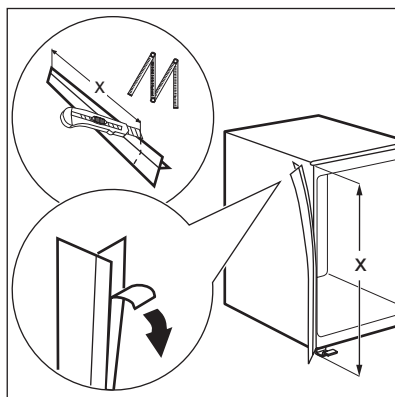
7.5 Installazione dell'apparecchiatura

Seguire i seguenti passaggi:

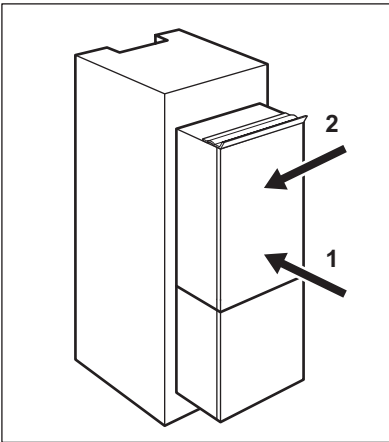


ATTENZIONE

Accertarsi che il cavo di rete sia libero da ostacoli.

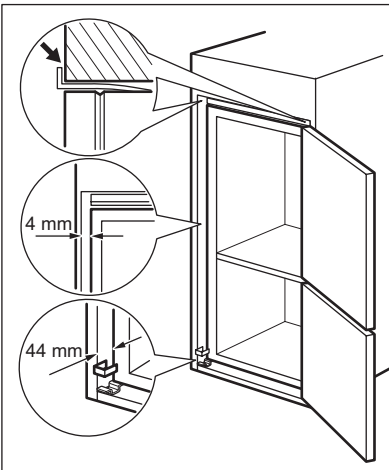


Se necessario, tagliare la striscia sigillante adesiva e applicarla come illustrato in figura.



Installare l'apparecchiatura nella nicchia. Spingere l'apparecchiatura in direzione della freccia (1) finché la mascherina superiore si arresta contro il mobile da cucina.

Spingere l'apparecchiatura in direzione della freccia (2) contro il mobile sul lato opposto rispetto alla cerniera.



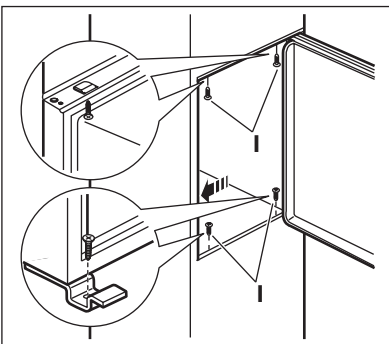
Posizionare correttamente l'apparecchiatura nella nicchia.

Assicurarsi che la distanza tra l'apparecchiatura ed il bordo anteriore dell'armadio sia di 44 mm.

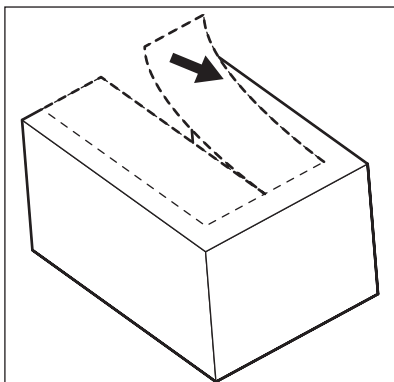
Il copricerniera inferiore (incluso nel sacchetto degli accessori) permette di controllare che la distanza fra l'apparecchiatura ed il mobile della cucina sia corretta.

Accertarsi che lo spazio fra l'apparecchiatura e il mobile sia di 4 mm.

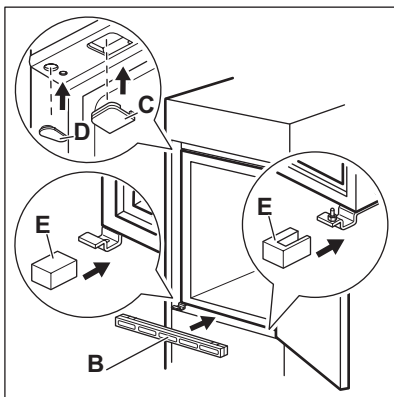
Aprire la porta. Applicare il copricerniera inferiore.



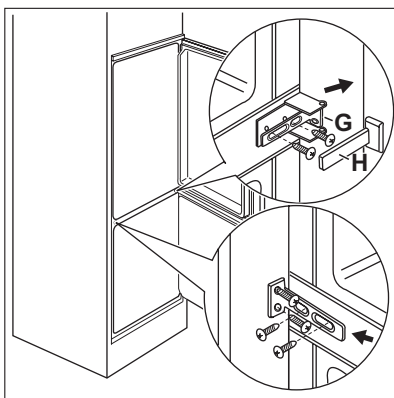
Fissare l'apparecchiatura nella nicchia con 4 viti.



Rimuovere la parte appropriata del copricerniera (E). Accertarsi di rimuovere la parte DESTRA per la cerniera di destra, o la parte SINISTRA per quella di sinistra.

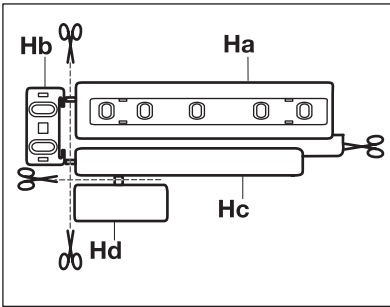


Applicare i cappucci (C, D) a coprigiunti e fori delle cerniere.
Installare la griglia di sfiato (B).
Applicare i copricerniera (E).

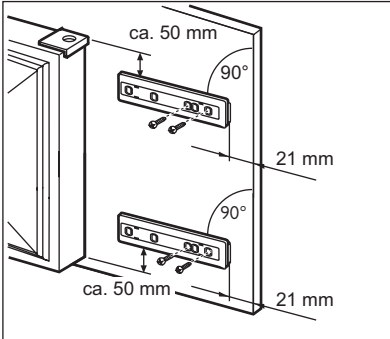


Collegare l'apparecchiatura lateralmente alla parete laterale del mobile da cucina:

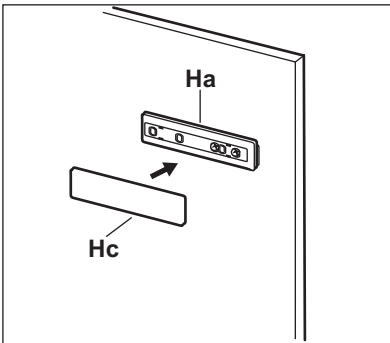
1. Allentare le viti della parte (G) e spostare la parte (G) sino alla parete laterale del mobile.
2. Serrare nuovamente le viti della parte (G).
3. Fissare la parte (H) alla parte (G).



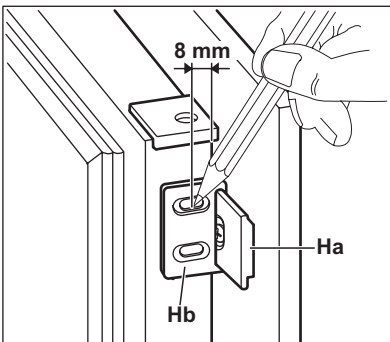
Staccare le parti (Ha), (Hb), (Hc) e (Hd).



Installare la parte (Ha) sul lato interno della porta del mobile.



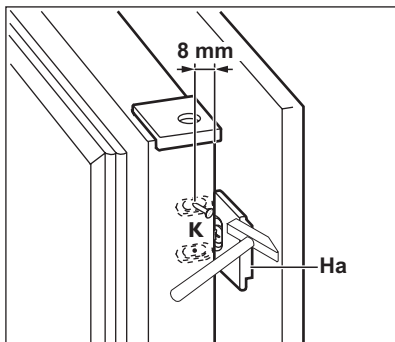
Spingere la parte (Hc) sulla parte (Ha).



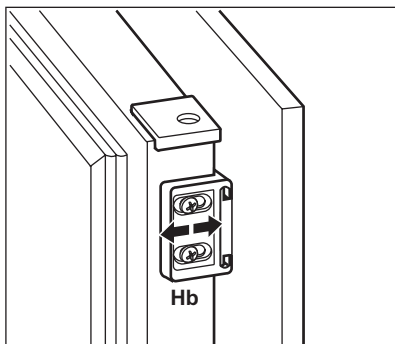
Aprire la porta dell'apparecchiatura e l'anta del mobile da cucina con un'angolazione di 90°.

Inserire il quadratino (Hb) nella guida (Ha).

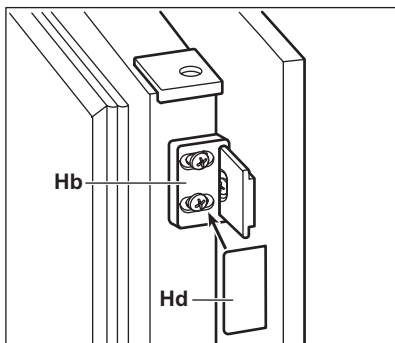
Unire la porta dell'apparecchiatura alla porta del mobile e marcare i fori.



Togliere le staffe e segnare la posizione in cui deve essere inserito il chiodo (K) ad una distanza di 8 mm dal bordo esterno della porta.



Riapplicare il quadratino sulla guida e fissarlo con le viti in dotazione. Allineare lo sportello del mobile da cucina con quello dell'apparecchiatura regolando la parte (Hb).

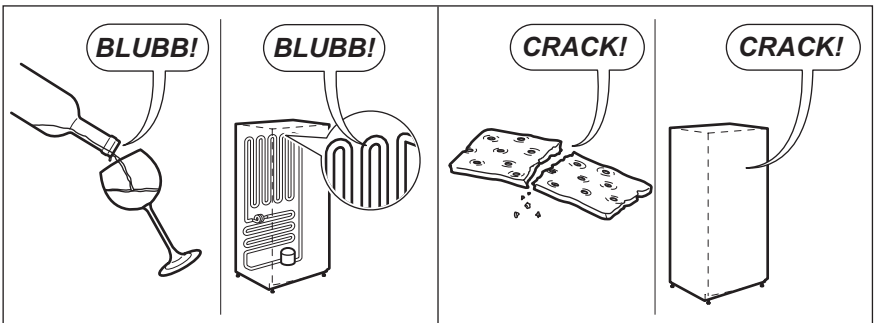
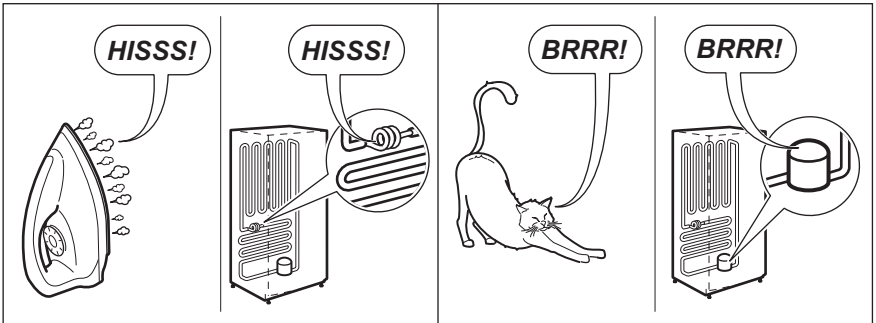
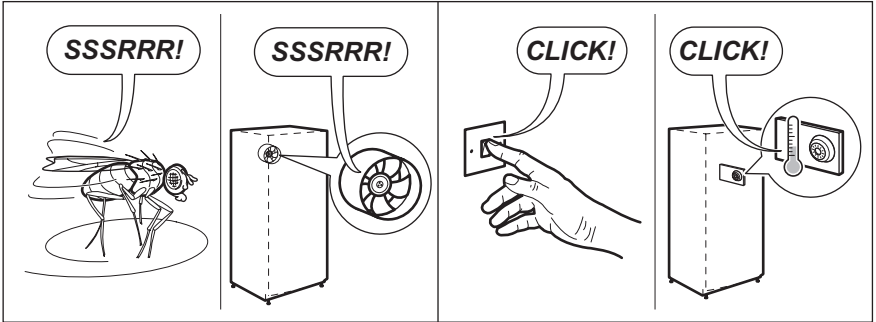
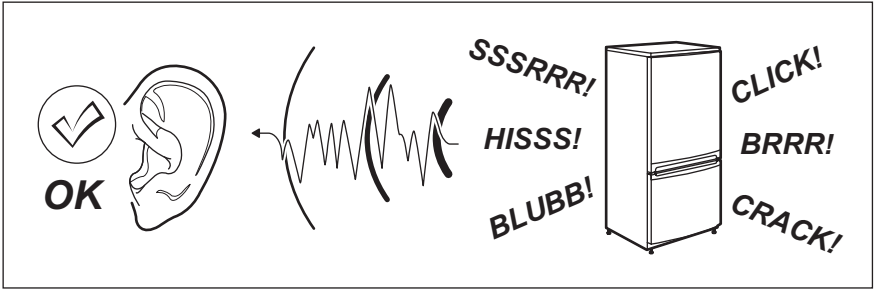


Premere la parte (Hd) sulla parte (Hb). Eseguire un controllo finale per accertarsi che:

- tutte le viti siano serrate.
- la striscia sigillante sia fissata saldamente all'unità;
- la porta si apra e si chiuda correttamente.

8. RUMORI

Durante l'uso, alcuni rumori di funzionamento (come quelli del compressore o del circuito refrigerante) sono da considerarsi normali.




9. DATI TECNICI


Nicchia di incasso		
Altezza	1780 mm	
Larghezza	560 mm	
Profondità	550 mm	
Tempo di salita	22 h	
Tensione	230-240 V	
Frequenza	50 Hz	

I dati tecnici sono riportati sulla targhetta del modello, applicata sul lato sinistro in-

terno dell'apparecchiatura, e sull'etichetta dei valori energetici.

10. CONSIDERAZIONI AMBIENTALI

Riciclare i materiali con il simbolo  .
Buttare l'imballaggio negli appositi contenitori per il riciclaggio.
Aiutare a proteggere l'ambiente e la salute umana e a riciclare rifiuti derivanti da apparecchiature elettriche ed elettroniche.

Non smaltire le apparecchiature che riportano il simbolo  insieme ai normali rifiuti domestici. Portare il prodotto al punto di riciclaggio più vicino o contattare il comune di residenza.

www.electrolux.com/shop



222361171-A-022013

Free Manuals Download Website

<http://myh66.com>

<http://usermanuals.us>

<http://www.somanuals.com>

<http://www.4manuals.cc>

<http://www.manual-lib.com>

<http://www.404manual.com>

<http://www.luxmanual.com>

<http://aubethermostatmanual.com>

Golf course search by state

<http://golfingnear.com>

Email search by domain

<http://emailbydomain.com>

Auto manuals search

<http://auto.somanuals.com>

TV manuals search

<http://tv.somanuals.com>