



**EHF3920BOK**

<b>User Manual</b>	<b>EN 2</b>
<b>Benutzerinformation</b>	<b>DE 13</b>
<b>Notice d'utilisation</b>	<b>FR 25</b>
<b>Istruzioni per l'uso</b>	<b>IT 37</b>
<b>Gebruiksaanwijzing</b>	<b>NL 49</b>
<b>Manual de instruções</b>	<b>PT 61</b>
<b>Käyttöohje</b>	<b>FI 73</b>
<b>Bruksanvisning</b>	<b>NO 84</b>
<b>Bruksanvisning</b>	<b>SV 95</b>
<b>Lietošanas instrukcija</b>	<b>LV 106</b>
<b>Naudojimo instrukcija</b>	<b>LT 117</b>
<b>Kasutusjuhend</b>	<b>ET 128</b>
<b>Návod k použití</b>	<b>CS 139</b>
<b>Instrukcja obsługi</b>	<b>PL 150</b>
<b>Návod na používanie</b>	<b>SK 162</b>
<b>Használati útmutató</b>	<b>HU 174</b>
<b>Ръководство за употреба</b>	<b>BG 186</b>
<b>Manual de utilizare</b>	<b>RO 198</b>
<b>Kullanma Kılavuzu</b>	<b>TR 210</b>



**Electrolux**



[electrolux.com/register](http://electrolux.com/register)

## WE'RE THINKING OF YOU

Thank you for purchasing an Electrolux appliance. You've chosen a product that brings with it decades of professional experience and innovation. Ingenious and stylish, it has been designed with you in mind. So whenever you use it, you can be safe in the knowledge that you'll get great results every time. Welcome to Electrolux.

Visit our website to:



Get usage advice, brochures, trouble shooter, service and repair information:  
[www.electrolux.com/support](http://www.electrolux.com/support)



Register your product for better service:  
[www.registerelectrolux.com](http://www.registerelectrolux.com)



Buy Accessories, Consumables and Original spare parts for your appliance:  
[www.electrolux.com/shop](http://www.electrolux.com/shop)


## CUSTOMER CARE AND SERVICE


Always use original spare parts.

When contacting our Authorised Service Centre, ensure that you have the following data available: Model, PNC, Serial Number.

The information can be found on the rating plate.

 Warning / Caution-Safety information

 General information and tips

 Environmental information

Subject to change without notice.

## CONTENTS

1. SAFETY INFORMATION.....	2
2. SAFETY INSTRUCTIONS.....	4
3. INSTALLATION.....	7
4. PRODUCT DESCRIPTION.....	8
5. DAILY USE.....	9
6. HINTS AND TIPS.....	9
7. CARE AND CLEANING.....	9
8. TROUBLESHOOTING.....	10
9. TECHNICAL DATA.....	10
10. ENERGY EFFICIENCY.....	11
11. ENVIRONMENTAL CONCERNS.....	12

## 1. SAFETY INFORMATION

Before the installation and use of the appliance, carefully read the supplied instructions. The manufacturer is not responsible

for any injuries or damage that are the result of incorrect installation or usage. Always keep the instructions in a safe and accessible location for future reference.

### **1.1 Children and vulnerable people safety**

- This appliance can be used by children aged from 8 years and above and persons with reduced physical, sensory or mental capabilities or lack of experience and knowledge if they have been given supervision or instruction concerning the use of the appliance in a safe way and understand the hazards involved. Children of less than 8 years of age and persons with very extensive and complex disabilities shall be kept away from the appliance unless continuously supervised.
- Children should be supervised to ensure that they do not play with the appliance.
- Keep all packaging away from children and dispose of it appropriately.
- **WARNING:** Keep children and pets away from the appliance when it operates or when it cools down. Accessible parts become hot during use.
- If the appliance has a child safety device, it should be activated.
- Children shall not carry out cleaning and user maintenance of the appliance without supervision.

### **1.2 General Safety**

- **WARNING:** The appliance and its accessible parts become hot during use. Care should be taken to avoid touching heating elements.
- **WARNING:** Unattended cooking on a hob with fat or oil can be dangerous and may result in fire.
- **NEVER** try to extinguish a fire with water, but switch off the appliance and then cover flame e.g. with a lid or a fire blanket.

- **WARNING:** The appliance must not be supplied through an external switching device, such as a timer, or connected to a circuit that is regularly switched on and off by a utility.
- **CAUTION:** The cooking process has to be supervised. A short term cooking process has to be supervised continuously.
- **WARNING:** Danger of fire: Do not store items on the cooking surfaces.
- Metallic objects such as knives, forks, spoons and lids should not be placed on the hob surface since they can get hot.
- Do not use the appliance before installing it in the built-in structure.
- Do not use a steam cleaner to clean the appliance.
- If the glass ceramic surface / glass surface is cracked, switch off the appliance and unplug it from the mains. In case the appliance is connected to the mains directly using junction box, remove the fuse to disconnect the appliance from power supply. In either case contact the Authorised Service Centre.
- If the supply cord is damaged, it must be replaced by the manufacturer, an authorized Service or similarly qualified persons in order to avoid a hazard.
- **WARNING:** Use only hob guards designed by the manufacturer of the cooking appliance or indicated by the manufacturer of the appliance in the instructions for use as suitable or hob guards incorporated in the appliance. The use of inappropriate guards can cause accidents.

## 2. SAFETY INSTRUCTIONS

### 2.1 Installation



**WARNING!**

Only a qualified person must install this appliance.



**WARNING!**

Risk of injury or damage to the appliance.

- Remove all the packaging.
- Do not install or use a damaged appliance.

- Follow the installation instructions supplied with the appliance.
- Keep the minimum distance from other appliances and units.
- Always take care when moving the appliance as it is heavy. Always use safety gloves and enclosed footwear.
- Seal the cut surfaces with a sealant to prevent moisture from causing swelling.
- Protect the bottom of the appliance from steam and moisture.
- Do not install the appliance next to a door or under a window. This prevents hot cookware from falling from the appliance when the door or the window is opened.
- If the appliance is installed above drawers make sure that the space, between the bottom of the appliance and the upper drawer is sufficient for air circulation.
- The bottom of the appliance can get hot. Make sure to install a separation panel made from plywood, kitchen carcass material or other non-flammable materials under the appliance to prevent access to the bottom.
- The separation panel has to cover the area under the hob completely.

## 2.2 Electrical Connection



### **WARNING!**

Risk of fire and electric shock.

- All electrical connections should be made by a qualified electrician.
- The appliance must be earthed.
- Before carrying out any operation make sure that the appliance is disconnected from the power supply.
- Make sure that the parameters on the rating plate are compatible with the electrical ratings of the mains power supply.
- Make sure the appliance is installed correctly. Loose and incorrect electricity mains cable or plug (if applicable) can make the terminal become too hot.
- Use the correct electricity mains cable.
- Do not let the electricity mains cable tangle.
- Make sure that a shock protection is installed.
- Use the strain relief clamp on the cable.

- Make sure the mains cable or plug (if applicable) does not touch the hot appliance or hot cookware, when you connect the appliance to the near sockets.
- Do not use multi-plug adapters and extension cables.
- Make sure not to cause damage to the mains plug (if applicable) or to the mains cable. Contact our Authorised Service Centre or an electrician to change a damaged mains cable.
- The shock protection of live and insulated parts must be fastened in such a way that it cannot be removed without tools.
- Connect the mains plug to the mains socket only at the end of the installation. Make sure that there is access to the mains plug after the installation.
- If the mains socket is loose, do not connect the mains plug.
- Do not pull the mains cable to disconnect the appliance. Always pull the mains plug.
- Use only correct isolation devices: line protecting cut-outs, fuses (screw type fuses removed from the holder), earth leakage trips and contactors.
- The electrical installation must have an isolation device which lets you disconnect the appliance from the mains at all poles. The isolation device must have a contact opening width of minimum 3 mm.

## 2.3 Use



### **WARNING!**

Risk of injury, burns and electric shock.

- Remove all the packaging, labelling and protective film (if applicable) before first use.
- This appliance is for household (indoors) use only.
- Do not change the specification of this appliance.
- Make sure that the ventilation openings are not blocked.
- Do not let the appliance stay unattended during operation.
- Set the cooking zone to “off” after each use.
- Do not put cutlery or saucepan lids on the cooking zones. They can become hot.

- Do not operate the appliance with wet hands or when it has contact with water.
- Do not use the appliance as a work surface or as a storage surface.
- If the surface of the appliance is cracked, disconnect immediately the appliance from the power supply. This to prevent an electrical shock.
- When you place food into hot oil, it may splash.



### **WARNING!**

Risk of fire and explosion

- Fats and oil when heated can release flammable vapours. Keep flames or heated objects away from fats and oils when you cook with them.
- The vapours that very hot oil releases can cause spontaneous combustion.
- Used oil, that can contain food remnants, can cause fire at a lower temperature than oil used for the first time.
- Do not put flammable products or items that are wet with flammable products in, near or on the appliance.



### **WARNING!**

Risk of damage to the appliance.

- Do not keep hot cookware on the control panel.
- Do not put a hot pan cover on the glass surface of the hob.
- Do not let cookware boil dry.
- Be careful not to let objects or cookware fall on the appliance. The surface can be damaged.
- Do not activate the cooking zones with empty cookware or without cookware.
- Do not put aluminium foil on the appliance.
- Cookware made of cast iron, aluminium or with a damaged bottom can cause scratches on the glass / glass ceramic. Always lift these objects up when you have to move them on the cooking surface.
- This appliance is for cooking purposes only. It must not be used for other purposes, for example room heating.

## 2.4 Care and cleaning



### **WARNING!**

Do not remove the buttons, knobs or gaskets from the control panel. Water may get inside the appliance and cause damage.

- Clean the appliance regularly to prevent the deterioration of the surface material.
- Switch off the appliance and let it cool down before cleaning.
- Do not use water spray and steam to clean the appliance.
- Clean the appliance with a moist soft cloth. Use only neutral detergents. Do not use abrasive products, abrasive cleaning pads, solvents or metal objects.

## 2.5 Service

- To repair the appliance contact the Authorised Service Centre. Use original spare parts only.
- Concerning the lamp(s) inside this product and spare part lamps sold separately: These lamps are intended to withstand extreme physical conditions in household appliances, such as temperature, vibration, humidity, or are intended to signal information about the operational status of the appliance. They are not intended to be used in other applications and are not suitable for household room illumination.

## 2.6 Disposal



### **WARNING!**

Risk of injury or suffocation.

- Contact your municipal authority for information on how to dispose of the appliance.
- Disconnect the appliance from the mains supply.
- Cut off the mains electrical cable close to the appliance and dispose of it.

## 3. INSTALLATION



### WARNING!

Refer to Safety chapters.

### 3.1 Before the installation

Before you install the hob, write down the information below from the rating plate. The rating plate is on the bottom of the hob.

Model .....

PNC .....

Serial number .....

### 3.2 Built-in hobs

Only use the built-in hobs after you assemble the hob into correct built-in units and work surfaces that align to the standards.

### 3.3 Connection cable

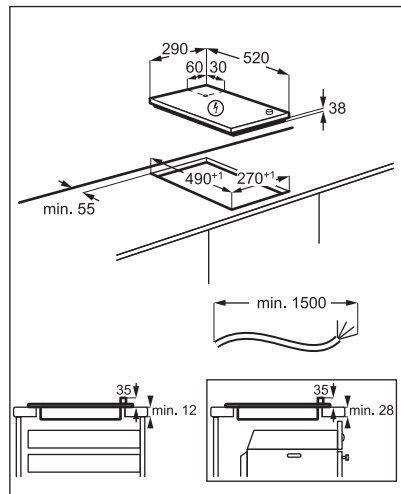
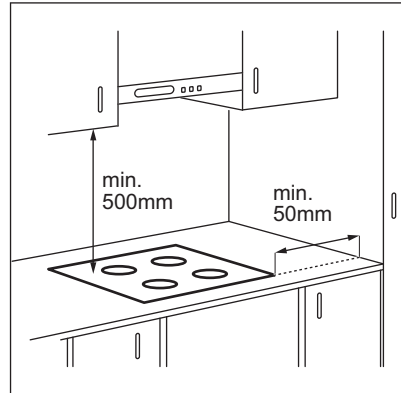
- The hob is supplied with a connection cable.
- To replace the damaged mains cable, use the cable type: H05V2V2-F which withstands a temperature of 90 °C or higher. Contact an Authorised Service Centre. The connection cable may only be replaced by a qualified electrician.

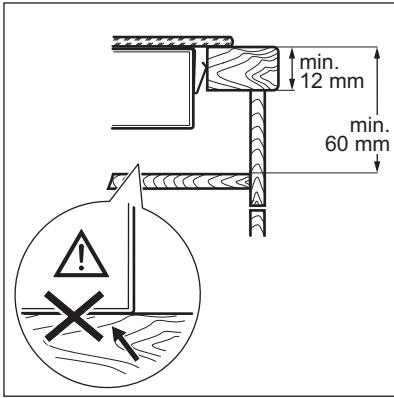
### 3.4 Attaching the seal - On-top installation

1. Clean the worktop around the cut out area.
2. Attach the supplied 2x6mm seal stripe to the lower edge of the hob, along the outer edge of the glass ceramic. Do not stretch it. Make sure that the ends of the seal stripe are located in the middle of one side of the hob.
3. Add some millimetres to the length when you cut the seal stripe.
4. Join the two ends of the seal stripe together.

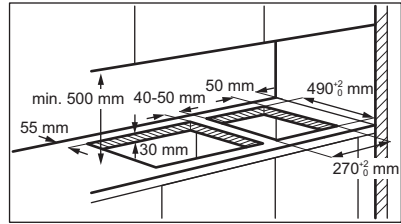
### 3.5 Assembly

If you install the hob under a hood, please see the installation instructions of the hood for the minimum distance between the appliances.





### 3.6 Installation of more than one hob



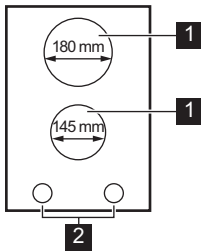
 **YouTube** [www.youtube.com/electrolux](http://www.youtube.com/electrolux)  
[www.youtube.com/aeg](http://www.youtube.com/aeg)

How to install your Electrolux  
Domino Hob - Worktop installation



## 4. PRODUCT DESCRIPTION

### 4.1 Cooking surface layout



- 1** Cooking zone
- 2** Control knobs

### 4.2 Control knob

Symbol	Function
0	Off position
1 - 6	Heat settings

### 4.3 Residual heat



**WARNING!**

There is a risk of burns from residual heat.



## 5. DAILY USE



### WARNING!

Refer to Safety chapters.

### 5.1 The heat setting

To set or change the heat setting turn the knob to the correct heat setting. To deactivate turn the knob to off position.

## 6. HINTS AND TIPS



### WARNING!

Refer to Safety chapters.

### 6.1 Cookware

- The bottom of the cookware must be as thick and flat as possible.
- Ensure pan bases are clean and dry before placing on the hob surface.
- In order to avoid scratches, do not slide or rub the pot across the ceramic glass.



Cookware made of enamelled steel and with aluminium or copper bottoms can cause a colour change on the glass-ceramic surface.

### 6.2 Examples of cooking applications

Heat setting:	Application:
1	Keeping warm
2	Gentle simmering
3	Simmering
4	Frying / browning
5	Bringing to the boil
6	Bringing to the boil / quick frying / deep-frying

## 7. CARE AND CLEANING



### WARNING!

Refer to Safety chapters.

### 7.1 General information

- Clean the hob after each use.
- Always use cookware with a clean base.
- Scratches or dark stains on the surface have no effect on how the hob operates.
- Use a special cleaner suitable for the surface of the hob.
- Use a special scraper for the glass.



It is not recommended to remove the knobs.

### 7.2 Cleaning the hob

- **Remove immediately:** melted plastic, plastic foil, sugar and food with sugar,

otherwise, the dirt can cause damage to the hob. Take care to avoid burns. Use a special hob scraper on the glass surface at an acute angle and move the blade on the surface.

- **Remove when the hob is sufficiently cool:** limescale rings, water rings, fat stains, shiny metallic discoloration. Clean the hob with a moist cloth and a non-abrasive detergent. After cleaning, wipe the hob dry with a soft cloth.
- **Remove shiny metallic discoloration:** use a solution of water with vinegar and clean the glass surface with a cloth.

## 8. TROUBLESHOOTING



### WARNING!

Refer to Safety chapters.

### 8.1 What to do if...

Problem	Possible cause	Remedy
You cannot activate or operate the hob.	The hob is not connected to an electrical supply or it is connected incorrectly.	Check if the hob is correctly connected to the electrical supply.
	The fuse is blown.	Make sure that the fuse is the cause of the malfunction. If the fuse is blown again and again, contact a qualified electrician.

### 8.2 If you cannot find a solution...

If you cannot find a solution to the problem yourself, contact your dealer or an Authorised Service Centre. Give the data from the rating plate. Give also three digit letter code for the glass ceramic (it is in the corner of the glass surface). Make sure, you

operated the hob correctly. If not the servicing by a service technician or dealer will not be free of charge, also during the warranty period. The information about guarantee period and Authorised Service Centres are in the guarantee booklet.

## 9. TECHNICAL DATA

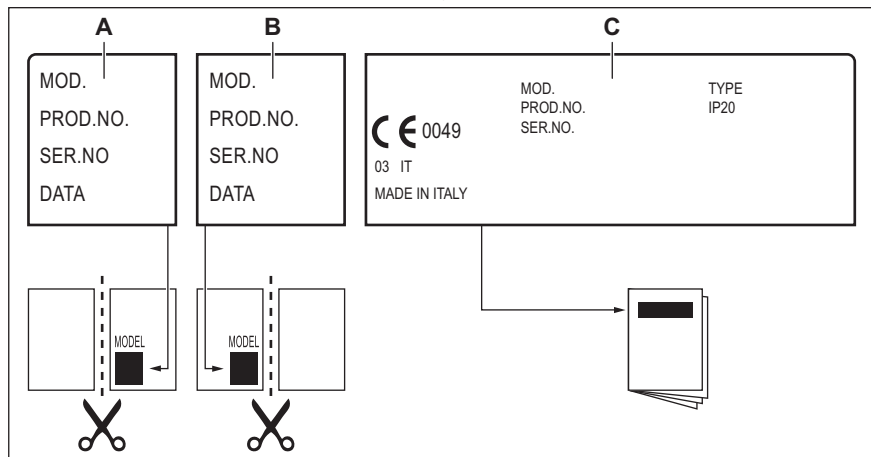
### 9.1 Cooking zones specification

Cooking zone	Nominal Power (Max heat setting) [W]	Cooking zone diameter [mm]
Middle front	1200	145
Middle rear	1700	180

For optimal cooking results use cookware no larger than the diameter of the cooking zone.

## 9.2 Labels supplied with the accessories bag

Stick the adhesive labels as indicated below:



- A. Stick it on Guarantee Card and send this part (if applicable).
- B. Stick it on Guarantee Card and keep this part (if applicable).
- C. Stick it on instruction booklet.

## 10. ENERGY EFFICIENCY

### 10.1 Product information\*

Model identification	EHF3920BOK	
Type of hob	Built-In Hob	
Number of cooking zones	2	
Heating technology	Radiant Heater	
Diameter of circular cooking zones (Ø)	Middle front	14.5 cm
	Middle rear	18.0 cm
Energy consumption per cooking zone (EC electric cooking)	Middle front	194.9 Wh / kg
	Middle rear	194.9 Wh / kg
Energy consumption of the hob (EC electric hob)	194.9 Wh / kg	

\* For European Union according to EU 66/2014. For Belarus according to STB 2477-2017, Annex A. For Ukraine according to 742/2019.

EN 60350-2 - Household electric cooking appliances - Part 2: Hobs - Methods for measuring performance


## 10.2 Energy saving


You can save energy during everyday cooking if you follow below hints.

- When you heat up water, use only the amount you need.
- If it is possible, always put the lids on the cookware.
- Before you activate the cooking zone put the cookware on it.

- The cookware bottom should have the same diameter as the cooking zone.
- Put the smaller cookware on the smaller cooking zones.
- Put the cookware directly in the centre of the cooking zone.
- Use the residual heat to keep the food warm or to melt it.

## 11. ENVIRONMENTAL CONCERNS

Recycle materials with the symbol . Put the packaging in relevant containers to recycle it. Help protect the environment and human health by recycling waste of electrical and electronic appliances. Do not dispose of

appliances marked with the symbol  with the household waste. Return the product to your local recycling facility or contact your municipal office.

## WIR DENKEN AN SIE

Vielen Dank für Ihren Kauf eines Electrolux-Geräts. Sie haben ein Produkt gewählt, das jahrzehntelange professionelle Erfahrung und Innovation mit sich bringt. Das ausgeklügelte und stilvolle Produkt wurde für Sie entwickelt. So können Sie jedes Mal, wenn Sie das Produkt verwenden, sicher sein, dass Sie großartige Ergebnisse erzielen werden.

Willkommen bei Electrolux.

**Besuchen Sie uns auf unserer Website, um:**



Anwendungshinweise, Prospekte, Informationen zu Fehlerbehebung, Service und Reparatur zu erhalten:

**[www.electrolux.com/support](http://www.electrolux.com/support)**



Registrieren Sie Ihr Produkt, um einen erstklassigen Service zu erhalten:

**[www.registerelectrolux.com](http://www.registerelectrolux.com)**



Um Zubehör, Verbrauchsmaterial und Original-Ersatzteile für Ihr Gerät zu kaufen:

**[www.electrolux.com/shop](http://www.electrolux.com/shop)**

## KUNDENDIENST UND SERVICE


Verwenden Sie immer Original-Ersatzteile.

Halten Sie folgende Angaben bereit, wenn Sie sich an einen autorisierten Kundendienst wenden: Modell, PNC, Seriennummer.

Die Daten finden Sie auf dem Typenschild.

 Warnungs-/Sicherheitshinweise

 Allgemeine Informationen und Empfehlungen

 Informationen zum Umweltschutz

Änderungen vorbehalten.

## INHALTSVERZEICHNIS

1. SICHERHEITSHINWEISE.....	14
2. SICHERHEITSANWEISUNGEN.....	16
3. MONTAGE.....	18
4. GERÄTEBESCHREIBUNG.....	20
5. TÄGLICHER GEBRAUCH.....	20
6. TIPPS UND HINWEISE.....	21
7. REINIGUNG UND PFLEGE.....	21
8. FEHLERSUCHE.....	22
9. TECHNISCHE DATEN.....	22
10. ENERGIEEFFIZIENZ.....	23
11. UMWELTTIPPS.....	24

# 1. ⚠️ SICHERHEITSHINWEISE

Lesen Sie vor der Montage und dem Gebrauch des Geräts zuerst die Bedienungsanleitung. Bei Verletzungen oder Schäden infolge nicht ordnungsgemäßer Montage oder Verwendung übernimmt der Hersteller keine Haftung. Bewahren Sie die Anleitung zum Nachschlagen an einem sicheren und zugänglichen Ort auf.

## 1.1 Sicherheit von Kindern und schutzbedürftigen Personen

- Das Gerät kann von Kindern ab 8 Jahren und Personen mit eingeschränkten physischen, sensorischen oder geistigen Fähigkeiten oder mit mangelnder Erfahrung/mangelndem Wissen benutzt werden, wenn sie durch eine für ihre Sicherheit zuständige Person beaufsichtigt werden oder von dieser Person Anweisungen erhalten haben, wie das Gerät sicher zu bedienen ist und welche Gefahren bei nicht ordnungsgemäßer Bedienung bestehen. Kinder unter 8 Jahren und Personen mit schweren Behinderungen oder Mehrfachbehinderung sollten vom Gerät ferngehalten werden, wenn sie nicht ständig beaufsichtigt werden.
- Kinder sollten beaufsichtigt werden, um sicherzustellen, dass sie nicht mit dem Gerät.
- Halten Sie sämtliches Verpackungsmaterial von Kindern fern und entsorgen Sie es ordnungsgemäß.
- **WARNUNG:** Halten Sie Kinder und Haustiere von dem Gerät fern, wenn es in Betrieb oder in der Abkühlphase ist. Die zugänglichen Geräteteile werden beim Betrieb sehr heiß.
- Falls Ihr Gerät mit einer Kindersicherung ausgestattet ist, empfehlen wir, diese einzuschalten.
- Kinder dürfen keine Reinigung und Wartung des Geräts ohne Beaufsichtigung durchführen.

## 1.2 Allgemeine Sicherheit

- **WARNUNG:** Das Gerät und die zugänglichen Geräteteile werden während des Betriebs heiß. Seien Sie vorsichtig und berühren Sie niemals die Heizelemente.
- **WARNUNG:** Kochen mit Fett oder Öl auf einem unbeaufsichtigten Kochfeld ist gefährlich und kann ggf. zu einem Brand führen.
- Versuchen Sie **NIEMALS**, ein Feuer mit Wasser zu löschen, sondern schalten Sie das Gerät aus und decken Sie die Flamme ab, z.B. mit einem Deckel oder einer Feuerlöschdecke.
- **WARNUNG:** Das Gerät darf nicht durch ein externes Schaltgerät, wie einer Zeitschaltuhr, mit Strom versorgt oder an einen Schaltkreis angeschlossen werden, der vom einem Programm regelmäßig ein- und ausgeschaltet wird.
- **ACHTUNG:** Der Kochvorgang muss überwacht werden. Ein kurzer Kochvorgang muss kontinuierlich überwacht werden.
- **WARNUNG:** Brandgefahr: Lagern Sie keine Gegenstände auf den Kochflächen.
- Metallische Gegenstände wie Messer, Gabeln, Löffel und Deckel sollten nicht auf die Oberfläche des Kochfelds gelegt werden, da diese heiß werden können.
- Verwenden Sie ds Gerät nicht, bevor es in den Einbauschränk gesetzt wird.
- Reinigen Sie das Gerät nicht mit einem Dampfstrahlreiniger.
- Hat die Glaskeramik-/Glasoberfläche einen Sprung, schalten Sie das Gerät aus und nehmen Sie es vom Stromnetz. Falls das Gerät direkt mit dem Stromnetz verbunden ist und nicht getrennt werden kann, nehmen Sie die Sicherung für den Anschluss heraus, um die Stromversorgung zu unterbrechen. Verständigen Sie in jedem Fall den autorisierten Kundendienst.
- Wenn das Netzkabel beschädigt ist, muss es vom Hersteller, seinem autorisierten Kundenservice oder einer

gleichermaßen qualifizierten Person ausgetauscht werden, um Gefahrenquellen zu vermeiden.

- **WARNUNG:** Verwenden Sie nur Schutzabdeckungen des Herstellers des Kochgeräts, von ihm in der Bedienungsanleitung als geeignete und empfohlene Schutzabdeckungen oder die im Gerät enthaltene Schutzabdeckung. Es besteht Unfallgefahr durch die Verwendung ungeeigneter Schutzabdeckungen.

## 2. SICHERHEITSANWEISUNGEN

### 2.1 Montage



#### **WARNUNG!**

Die Montage des Geräts darf nur von einer qualifizierten Fachkraft durchgeführt werden.



#### **WARNUNG!**

Verletzungsgefahr sowie Risiko von Schäden am Gerät.

- Entfernen Sie das gesamte Verpackungsmaterial.
- Montieren Sie ein beschädigtes Gerät nicht und benutzen Sie es nicht.
- Halten Sie sich an die mitgelieferte Montageanleitung.
- Die Mindestabstände zu anderen Geräten und Küchenmöbeln sind einzuhalten.
- Seien Sie beim Umsetzen des Gerätes vorsichtig, da es sehr schwer ist. Tragen Sie stets Sicherheitshandschuhe und festes Schuhwerk.
- Dichten Sie die Ausschnittskanten mit einem Dichtungsmittel ab, um ein Aufquellen durch Feuchtigkeit zu verhindern.
- Schützen Sie die Geräteunterseite vor Dampf und Feuchtigkeit.
- Installieren Sie das Gerät nicht direkt neben einer Tür oder unter einem Fenster. So kann heißes Kochgeschirr nicht herunterfallen, wenn die Tür oder das Fenster geöffnet wird.
- Wird das Gerät über Schubladen eingebaut, achten Sie darauf, dass zwischen dem Geräteboden und der oberen Schublade ein ausreichender

Abstand für die Luftzirkulation vorhanden ist.

- Der Boden des Geräts kann heiß werden. Achten Sie darauf eine feuerfeste Trennplatte aus Sperrholz, Küchenmöbelmaterial oder einem anderen nicht entflammaren Material unter dem Gerät anzubringen, damit der Boden nicht zugänglich ist.
- Die Trennplatte muss den gesamten Bereich unter dem Kochfeld abdecken.

### 2.2 Elektrischer Anschluss



#### **WARNUNG!**

Brand- und Stromschlaggefahr.

- Alle elektrischen Anschlüsse sind von einem geprüften Elektriker vorzunehmen.
- Das Gerät muss geerdet sein.
- Vor der Durchführung jeglicher Arbeiten muss das Gerät von der elektrischen Stromversorgung getrennt werden.
- Stellen Sie sicher, dass die Daten auf dem Typenschild mit den elektrischen Nennwerten der Netzspannung übereinstimmen.
- Vergewissern Sie sich, dass das Gerät ordnungsgemäß installiert ist. Lockere und unsachgemäße Kabel oder Stecker (falls vorhanden) können die Klemme überhitzen.
- Stellen Sie sicher, dass Sie das richtige Kabel für den elektrischen Netzanschluss verwenden.
- Achten Sie darauf, dass das Netzkabel nicht lose hängt oder sich verheddert.



- Sorgen Sie dafür, dass ein Berührungsschutz installiert wird.
- Verwenden Sie die Zugentlastung für das Kabel.
- Stellen Sie beim elektrischen Anschluss des Gerätes sicher, dass das Netzkabel oder ggf. der Netzstecker nicht mit dem heißen Gerät oder heißem Kochgeschirr in Berührung kommt.
- Verwenden Sie keine Mehrfachsteckdosen oder Verlängerungskabel.
- Achten Sie darauf, Netzstecker (falls vorhanden) und Netzkabel nicht zu beschädigen. Wenden Sie sich zum Austausch eines beschädigten Netzkabels an unseren autorisierten Kundendienst oder eine Elektrofachkraft.
- Alle Teile, die gegen direktes Berühren schützen, sowie die isolierten Teile müssen so befestigt werden, dass sie nicht ohne Werkzeug entfernt werden können.
- Stecken Sie den Netzstecker erst nach Abschluss der Montage in die Steckdose. Stellen Sie sicher, dass der Netzstecker nach der Montage noch zugänglich ist.
- Falls die Steckdose lose ist, schließen Sie den Netzstecker nicht an.
- Ziehen Sie nicht am Netzkabel, wenn Sie das Gerät von der Stromversorgung trennen möchten. Ziehen Sie stets am Netzstecker.
- Verwenden Sie nur geeignete Trenneinrichtungen: Überlastschalter, Sicherungen (Schraubsicherungen müssen aus dem Halter entfernt werden können), Fehlerstromschutzschalter und Schütze.
- Die elektrische Installation muss eine Trenneinrichtung aufweisen, mit der Sie das Gerät allpolig von der Stromversorgung trennen können. Die Trenneinrichtung muss mit einer Kontaktöffnungsbreite von mindestens 3 mm ausgeführt sein.

## 2.3 Gebrauch



### **WARNUNG!**

Verletzungs-, Verbrennungs- und Stromschlaggefahr.

- Entfernen Sie vor dem ersten Gebrauch das gesamte Verpackungsmaterial, die Aufkleber und Schutzfolie (falls vorhanden).
- Dieses Gerät ist ausschließlich zur Verwendung im Haushalt (in Innenräumen) bestimmt.
- Nehmen Sie keine technischen Änderungen am Gerät vor.
- Vergewissern Sie sich, dass die Lüftungsöffnungen nicht blockiert sind.
- Lassen Sie das Gerät während des Betriebs nicht unbeaufsichtigt.
- Schalten Sie die Kochzonen nach jedem Gebrauch aus.
- Legen Sie kein Besteck und keine Topfdeckel auf die Kochzonen. Anderenfalls werden sie sehr heiß.
- Benutzen Sie das Gerät nicht mit nassen Händen oder wenn es mit Wasser Kontakt hat.
- Verwenden Sie das Gerät nicht als Arbeits- oder Abstellfläche.
- Ist die Oberfläche des Geräts gesprungen, trennen Sie das Gerät sofort von der Stromversorgung. So vermeiden Sie einen elektrischen Schlag.
- Wenn Sie Nahrungsmittel in heißes Öl geben, kann dieses spritzen.



### **WARNUNG!**

Brand- und Explosionsgefahr

- Öle und Fette können beim Erhitzen brennbare Dämpfe freisetzen. Halten Sie Flammen oder erhitzte Gegenstände während des Kochens von Fetten und Ölen fern.
- Die Dämpfe, die sehr heißes Öl freisetzen, können zu einer spontanen Verbrennung führen.
- Gebrauchtes Öl, das Speisereste enthalten kann, kann schon bei einer niedrigeren Temperatur einen Brand verursachen als Öl, das zum ersten Mal verwendet wird.
- Platzieren Sie keine entflammaren Produkte oder Gegenstände, die mit entflammaren Produkten benetzt sind, im Gerät, auf dem Gerät oder in der Nähe des Geräts.



### **WARNUNG!**

Risiko von Schäden am Gerät.

- Stellen Sie kein heißes Kochgeschirr auf das Bedienfeld.
- Legen Sie keine heißen Topfdeckel auf die Glasoberfläche des Kochfeldes.
- Lassen Sie das Kochgeschirr nicht leerkochen.
- Lassen Sie keine Gegenstände oder Kochgeschirr auf das Gerät fallen. Die Oberfläche könnte beschädigt werden.
- Schalten Sie die Kochzonen niemals ein, wenn sich kein Kochgeschirr darauf befindet, oder wenn das Kochgeschirr leer ist.
- Legen Sie keine Alufolie auf das Gerät.
- Kochgeschirr aus Gusseisen, Aluminium oder mit beschädigten Böden kann die Glas- bzw. Glaskeramikoberfläche verkratzen. Heben Sie das Kochgeschirr stets an, wenn Sie es auf der Kochfläche umsetzen möchten.
- Dieses Gerät ist nur zum Kochen bestimmt. Jeder andere Gebrauch ist als bestimmungsfremd anzusehen, zum Beispiel das Beheizen eines Raums.

## 2.4 Reinigung und Pflege



### WARNUNG!

Entfernen Sie nicht die Tasten, Knöpfe oder Dichtungen vom Bedienfeld. Wasser könnte in das Gerät gelangen und es beschädigen.

- Reinigen Sie das Gerät regelmäßig, um eine Verschlechterung des Oberflächenmaterials zu verhindern.
- Schalten Sie das Gerät vor dem Reinigen aus und lassen Sie es abkühlen
- Reinigen Sie das Gerät nicht mit Wasserspray oder Dampf.

- Reinigen Sie das Gerats mit einem weichen, feuchten Tuch. Verwenden Sie ausschließlich Neutralreiniger. Benutzen Sie keine Scheuermittel, scheuernde Reinigungsschwammchen, Losungsmittel oder Metallgegenstande.

## 2.5 Wartung

- Wenden Sie sich zur Reparatur des Gerats an den autorisierten Kundendienst. Dabei durfen ausschließlich Originalersatzteile verwendet werden.
- Bezuglich der Lampe(n) in diesem Gerat und separat verkaufter Ersatzlampen: Diese Lampen mussen extremen physikalischen Bedingungen in Haushaltsgeraten standhalten, wie z.B. Temperatur, Vibration, Feuchtigkeit, oder sollen Informationen uber den Betriebszustand des Gerates anzeigen. Sie sind nicht fur den Einsatz in anderen Geraten vorgesehen und nicht fur die Raumbeleuchtung geeignet.

## 2.6 Entsorgung



### WARNUNG!

Verletzungs- und Erstickungsgefahr.

- Informationen zur Entsorgung des Gerats erhalten Sie von Ihrer Gemeindeverwaltung.
- Trennen Sie das Gerat von der Stromversorgung.
- Schneiden Sie das Netzkabel in der Nahe des Gerats ab, und entsorgen Sie es.

# 3. MONTAGE



### WARNUNG!

Siehe Kapitel Sicherheitshinweise.

## 3.1 Vor der Montage

Notieren Sie vor der Montage des Kochfelds folgende Daten, die Sie auf dem Typenschild

finden. Das Typenschild ist auf dem Boden des Kochfelds angebracht.

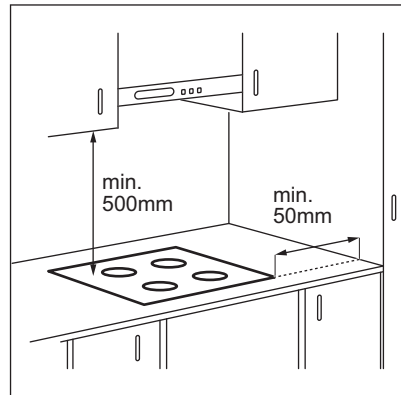
Modell .....  
 Produktnummer  
 (PNC) .....  
 Seriennummer .....

## 3.2 Einbau-Kochfelder

Einbau-Kochfelder dürfen nur nach dem Einbau in normgerechte, passende Einbaumöbel und Arbeitsplatten betrieben werden.

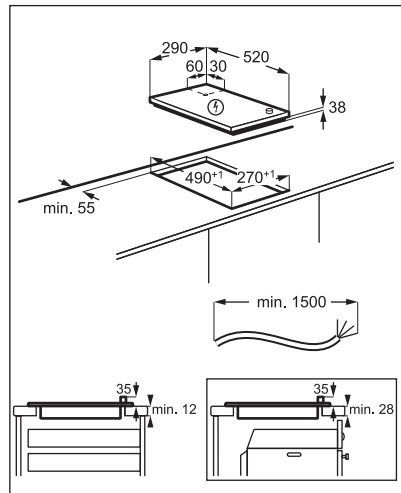
## 3.3 Anschlusskabel

- Das Kochfeld wird mit einem Anschlusskabel.
- Ersetzen Sie ein defektes Netzkabel durch den Kabeltyp: H05V2V2-F, der einer Temperatur von mindestens 90 °C standhält. Wenden Sie sich an einen autorisierten Kundendienst. Das Anschlusskabel darf nur von einem qualifizierten Elektriker ersetzt werden.



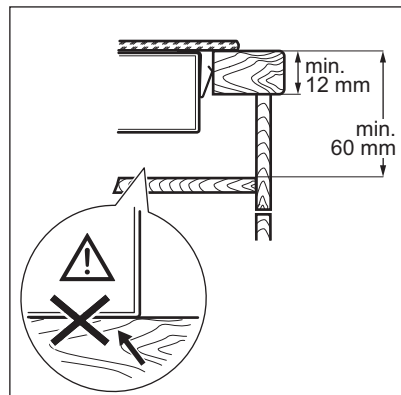
## 3.4 Anbringen der Dichtung - Aufliegende Montage

1. Reinigen Sie die Arbeitsplatte um den Ausschnittbereich.
2. Bringen Sie das mitgelieferte 2 x 6 mm Dichtungsband umlaufend auf der Unterseite des Kochfelds entlang des äußeren Randes der Glaskeramikscheibe an. Dabei nicht dehnen. Stellen Sie sicher, dass sich die Enden des Dichtungsbands in der Mitte auf einer der Seiten des Kochfelds befinden.
3. Geben Sie einige Millimeter zur Länge hinzu, wenn Sie das Dichtungsband zuschneiden.
4. Fügen Sie die beiden Enden des Dichtungsbands zusammen.

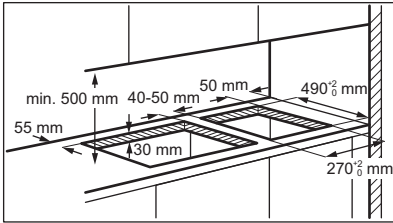


## 3.5 Aufbau

Wenn Sie das Kochfeld unter einer Dunstabzugshaube installieren, beachten Sie bitte die Montageanleitung der Dunstabzugshaube für den Mindestabstand zwischen den Geräten.



### 3.6 Montage mehrerer Kochfelder



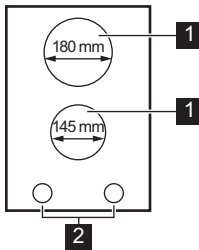
 [www.youtube.com/electrolux](http://www.youtube.com/electrolux)  
[www.youtube.com/aeg](http://www.youtube.com/aeg)

How to install your Electrolux  
Domino Hob - Worktop installation



## 4. GERÄTEBESCHREIBUNG

### 4.1 Anordnung der Kochflächen



- 1** Kochzone
- 2** Einstellknöpfe

### 4.2 Einstellknopf

Symbol	Funktion
0	Aus-Position
1 - 6	Kochstufen

### 4.3 Restwärme



**WARNUNG!**  
Es besteht Verbrennungsgefahr  
durch Restwärme.

## 5. TÄGLICHER GEBRAUCH



**WARNUNG!**  
Siehe Kapitel  
Sicherheitshinweise.

### 5.1 Kochstufe

Drehen Sie den Knopf zum Einstellen oder  
Ändern der Kochstufe auf die richtige

Kochstufe. Zum Ausschalten drehen Sie den Knopf auf die Aus-Position.

## 6. TIPPS UND HINWEISE



### WARNUNG!

Siehe Kapitel Sicherheitshinweise.

### 6.1 Kochgeschirr

- Der Boden des Kochgeschirrs muss so dick und flach wie möglich sein.
- Stellen Sie sicher, dass die Topfböden sauber sind, bevor Sie sie auf das Kochfeld stellen.
- Um Kratzer zu vermeiden, darf der Topf nicht auf dem Keramikglas verschoben werden.



Kochgeschirr aus Stahlemaille oder mit Aluminium- oder Kupferböden kann Verfärbungen der Glaskeramikoberfläche verursachen.

### 6.2 Anwendungsbeispiele für das Kochen

Kochstufe:	Anwendung:
1	Warmhalten
2	Sanftes Köcheln
3	Köcheln
4	Braten/Bräunen
5	Zum Kochen bringen
6	Zum Kochen bringen/Schnell-Braten/Frittieren

## 7. REINIGUNG UND PFLEGE



### WARNUNG!

Siehe Kapitel Sicherheitshinweise.

### 7.1 Allgemeine Informationen

- Reinigen Sie das Kochfeld nach jedem Gebrauch.
- Verwenden Sie stets Kochgeschirr mit sauberen Böden.
- Kratzer oder dunkle Flecken auf der Oberfläche beeinträchtigen die Funktionsfähigkeit des Kochfelds nicht.
- Verwenden Sie einen Spezialreiniger zur Reinigung der Kochfeldoberfläche.
- Verwenden Sie einen speziellen Reinigungsschaber für das Glas.



Es wird nicht empfohlen, die Knöpfe zu entfernen.

### 7.2 Reinigen des Kochfelds

- **Folgendes muss sofort entfernt werden:** Geschmolzener Kunststoff, Plastikfolie, Zucker und zuckerhaltige Lebensmittel. Anderenfalls können die Verschmutzungen das Kochfeld beschädigen. Achten Sie darauf, dass sich niemand Verbrennungen zuzieht. Den speziellen Reinigungsschaber schräg zur Glasfläche ansetzen und über die Oberfläche bewegen.
- **Folgendes kann nach ausreichender Abkühlung des Kochfelds entfernt werden:** Kalk- und Wasserränder, Fettspritzer und metallisch schimmernde Verfärbungen. Reinigen Sie das Kochfeld mit einem feuchten Tuch und nicht scheuernden Reinigungsmittel. Wischen Sie das Kochfeld nach der Reinigung mit einem weichen Tuch trocken.
- **Entfernen Sie metallisch schimmernde Verfärbungen:** Benutzen Sie für die Reinigung der Glasoberfläche ein mit

einer Lösung aus Essig und Wasser angefeuchtetes Tuch.

## 8. FEHLERSUCHE



### WARNUNG!

Siehe Kapitel Sicherheitshinweise.

### 8.1 Was zu tun ist, wenn ...

Störung	Mögliche Ursache	Problembesehung
Der Backofen kann nicht eingeschaltet oder bedient werden.	Das Kochfeld ist nicht oder nicht ordnungsgemäß an die Spannungsversorgung angeschlossen.	Prüfen Sie, ob das Kochfeld ordnungsgemäß an die Spannungsversorgung angeschlossen ist.
	Die Sicherung ist durchgebrannt.	Vergewissern Sie sich, dass die Sicherung die Ursache für die Störung ist. Brennt die Sicherung wiederholt durch, wenden Sie sich an eine qualifizierte Elektrofachkraft.

### 8.2 Wenn Sie keine Lösung finden ...

Wenn Sie das Problem nicht selbst lösen können, wenden Sie sich an Ihren Händler oder einen autorisierten Kundendienst. Geben Sie die Daten auf dem Typenschild an. Geben Sie den dreistelligen Buchstaben-Code für die Glaskeramik (befindet sich in der Ecke der Glasoberfläche) an.

Vergewissern Sie sich, dass Sie das Kochfeld richtig bedient haben. Wenn die Wartung von einem Servicetechniker oder einem Händler nicht kostenlos erfolgt, ist auch während der Garantiezeit eine Gebühr zu entrichten. Die Informationen über Garantiezeitraum und autorisierte Kundendienststellen finden Sie in der Garantiebroschüre.

## 9. TECHNISCHE DATEN

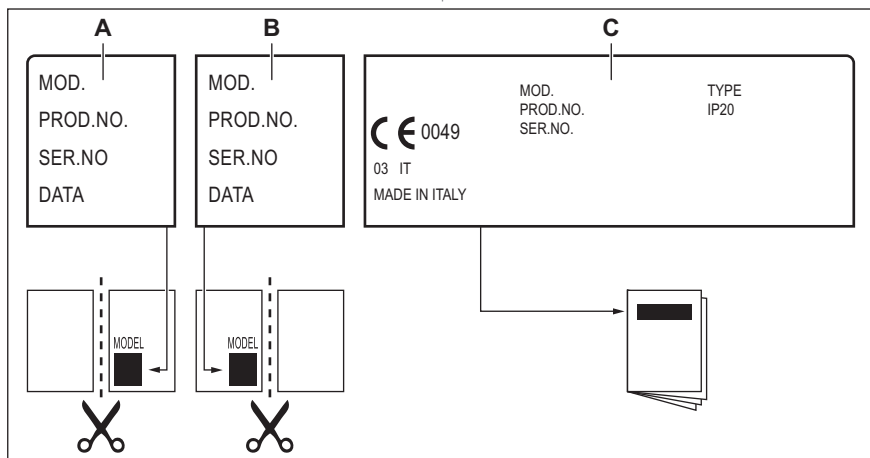
### 9.1 Technische Daten der Kochzonen

Kochzone	Nennleistung (höchste Kochstufe) [W]	Durchmesser der Kochzone [mm]
Vorne Mitte	1200	145
Hinten Mitte	1700	180

Verwenden Sie für optimale Kochergebnisse kein Kochgeschirr, dessen Durchmesser größer als der der Kochzone ist.

## 9.2 Im Zubehörbeutel mitgelieferte Aufkleber

Bringen Sie die Aufkleber, wie unten gezeigt, an:



- A. Kleben Sie ihn auf die Garantiekarte und verschicken Sie diesen Teil (falls vorhanden).
- B. Kleben Sie ihn auf die Garantiekarte und behalten Sie diesen Teil (falls vorhanden).
- C. Kleben Sie ihn auf die Gebrauchsanleitung.

## 10. ENERGIEEFFIZIENZ

### 10.1 Produktinformationen\*


Modellbezeichnung	EHF3920BOK	
Kochfeldtyp	Einbau-Kochfeld	
Anzahl der Kochfelder	2	
Heiztechnik	Strahlungsbeheizung	
Durchmesser der kreisförmigen Kochfelder (Ø)	Vorne Mitte	14,5 cm
	Hinten Mitte	18,0 cm
Energieverbrauch pro Kochfeld (EC electric cooking)	Vorne Mitte	194,9 Wh/kg
	Hinten Mitte	194,9 Wh/kg
Energieverbrauch des Kochfelds (EC electric hob)	194,9 Wh/kg	


## 10.2 Energie sparen

Beachten Sie folgende Tipps, um beim täglichen Kochen Energie zu sparen.

- Wenn Sie Wasser erwärmen, verwenden Sie nur die benötigte Menge.
  - Decken Sie Kochgeschirr, wenn möglich, mit einem Deckel ab.
  - Stellen Sie Kochgeschirr auf die Kochzone, bevor Sie sie einschalten.
  - Der Boden des Kochgeschirrs sollte denselben Durchmesser wie die Kochzone haben.
- Stellen Sie kleineres Kochgeschirr auf die kleineren Kochzonen.
  - Stellen Sie das Kochgeschirr mittig auf die Kochzone.
  - Nutzen Sie die Restwärme, um die Speisen warm zu halten oder zu schmelzen.

## 11. UMWELTTIPPS

Recyceln Sie Materialien mit dem Symbol . Entsorgen Sie die Verpackung in den entsprechenden Recyclingbehältern. Recyceln Sie zum Umwelt- und Gesundheitsschutz elektrische und elektronische Geräte. Entsorgen Sie Geräte

mit diesem Symbol  nicht mit dem Hausmüll. Bringen Sie das Gerät zu Ihrer örtlichen Sammelstelle oder wenden Sie sich an Ihr Gemeindeamt.



## NOUS PENSONS À VOUS

Merci d'avoir choisi un appareil Electrolux. Vous avez choisi un produit qui bénéficie de décennies d'expérience professionnelle et d'innovation. Ingénieux et élégant, il a été pensé pour vous. C'est la raison pour laquelle vous pouvez avoir la certitude d'obtenir d'excellents résultats à chaque utilisation.

Bienvenue chez Electrolux

**Consultez notre site pour :**



Obtenir des conseils d'utilisation, des brochures, un dépanneur, des informations sur le service et les réparations :

**[www.electrolux.com/support](http://www.electrolux.com/support)**



Enregistrer votre produit pour un meilleur service :

**[www.registerelectrolux.com](http://www.registerelectrolux.com)**



Acheter des accessoires, consommables et pièces de rechange d'origine pour votre appareil :


**[www.electrolux.com/shop](http://www.electrolux.com/shop)**

## SERVICE ET ASSISTANCE À LA CLIENTÈLE


N'utilisez que des pièces de rechange d'origine.

Avant de contacter notre centre de service agréé, assurez-vous de disposer des informations suivantes : Modèle, PNC, numéro de série.

Ces informations figurent sur la plaque signalétique.

 Avertissement/Consignes de sécurité

 Informations générales et conseils

 Informations environnementales

Sous réserve de modifications.

## TABLE DES MATIÈRES

1. INFORMATIONS DE SÉCURITÉ.....	25
2. CONSIGNES DE SÉCURITÉ.....	28
3. INSTALLATION.....	30
4. DESCRIPTION DE L'APPAREIL.....	32
5. UTILISATION QUOTIDIENNE.....	32
6. CONSEILS.....	32
7. ENTRETIEN ET NETTOYAGE.....	33
8. DÉPANNAGE.....	34
9. CARACTÉRISTIQUES TECHNIQUES.....	34
10. RENDEMENT ÉNERGÉTIQUE.....	35
11. EN MATIÈRE DE PROTECTION DE L'ENVIRONNEMENT.....	36

## 1. INFORMATIONS DE SÉCURITÉ

Avant d'installer et d'utiliser cet appareil, lisez soigneusement les instructions fournies. Le fabricant ne pourra être tenu pour

responsable des blessures et dégâts résultant d'une mauvaise installation ou utilisation. Conservez toujours les instructions dans un lieu sûr et accessible pour vous y référer ultérieurement.

## **1.1 Sécurité des enfants et des personnes vulnérables**

- Cet appareil peut être utilisé par des enfants âgés d'au moins 8 ans et par des personnes ayant des capacités physiques, sensorielles ou mentales réduites ou dénuées d'expérience ou de connaissance, s'ils sont correctement surveillés ou si des instructions relatives à l'utilisation de l'appareil en toute sécurité leur ont été données et s'ils comprennent les risques encourus. Les enfants de moins de 8 ans et les personnes ayant un handicap très important et complexe doivent être tenus à l'écart de l'appareil, à moins d'être surveillés en permanence.
- Veillez à ce que les enfants ne jouent pas avec l'appareil.
- Ne laissez pas les emballages à la portée des enfants et jetez-les convenablement.
- **AVERTISSEMENT** : tenez les enfants et les animaux éloignés de l'appareil lorsqu'il est en cours de fonctionnement ou lorsqu'il refroidit. Les parties accessibles deviennent chaudes en cours d'utilisation.
- Si l'appareil est équipé d'un dispositif de sécurité enfants, nous vous recommandons de l'activer.
- Le nettoyage et l'entretien par l'utilisateur ne doivent pas être effectués par des enfants sans surveillance.

## **1.2 Sécurité générale**

- **AVERTISSEMENT** : L'appareil et ses parties accessibles deviennent chauds pendant l'utilisation. Veillez à ne pas toucher les éléments chauffants.
- **AVERTISSEMENT** : Il peut être dangereux de laisser chauffer de la graisse ou de l'huile sans surveillance sur une table de cuisson car cela pourrait provoquer un incendie.

- N'essayez JAMAIS d'éteindre un feu avec de l'eau. Mettez à l'arrêt l'appareil puis couvrez les flammes, par exemple avec un couvercle ou une couverture ignifuge.
- **AVERTISSEMENT** : L'appareil ne doit pas être branché à l'alimentation en utilisant un appareil de connexion externe comme un minuteur, ou branché à un circuit qui est régulièrement activé/désactivé par un fournisseur d'énergie.
- **ATTENTION** : Toute cuisson doit être surveillée. Une cuisson courte doit être surveillée en permanence.
- **AVERTISSEMENT** : Risque d'incendie : N'entrez rien sur les surfaces de cuisson.
- Les objets métalliques tels que les couteaux, les fourchettes, les cuillères et les couvercles ne doivent pas être placés sur la surface de la table de cuisson car ils peuvent devenir chauds.
- N'utilisez pas l'appareil avant de l'avoir installé dans la structure encastrée.
- N'utilisez pas de nettoyeur à vapeur pour nettoyer l'appareil.
- Si la surface vitrocéramique / en verre est fissurée, mettez à l'arrêt l'appareil et débranchez-le. Si l'appareil est branché à l'alimentation secteur directement en utilisant une boîte de jonction, retirez le fusible pour déconnecter l'appareil de l'alimentation secteur. Dans tous les cas, veuillez contacter le service après-vente agréé.
- Si le câble d'alimentation est endommagé, il doit être remplacé par le fabricant, un service de maintenance agréé ou un technicien qualifié afin d'éviter tout danger.
- **AVERTISSEMENT** : Utilisez uniquement les dispositifs de protection pour table de cuisson conçus ou indiqués comme adaptés par le fabricant de l'appareil de cuisson dans les instructions d'utilisation, ou les dispositifs de protection pour table de cuisson intégrés à l'appareil. L'utilisation de dispositifs de protection non adaptés peut entraîner des accidents.

## 2. CONSIGNES DE SÉCURITÉ

### 2.1 Installation



#### AVERTISSEMENT!

L'appareil doit être installé uniquement par un professionnel qualifié.



#### AVERTISSEMENT!

Risque de blessure corporelle ou de dommages matériels.

- Retirez l'intégralité de l'emballage.
- N'installez pas et ne branchez pas un appareil endommagé.
- Suivez scrupuleusement les instructions d'installation fournies avec l'appareil.
- Respectez l'espacement minimal requis par rapport aux autres appareils et éléments.
- Soyez toujours vigilants lorsque vous déplacez l'appareil car il est lourd. Utilisez toujours des gants de sécurité et des chaussures fermées.
- Isolez les surfaces découpées à l'aide d'un matériau d'étanchéité pour éviter que la moisissure cause des gonflements.
- Protégez la partie inférieure de l'appareil de la vapeur et de l'humidité.
- N'installez pas l'appareil à proximité d'une porte ou sous une fenêtre. Les récipients chauds risqueraient de tomber de l'appareil lors de l'ouverture de celles-ci.
- Si l'appareil est installé au-dessus de tiroirs, assurez-vous qu'il y a suffisamment d'espace entre le fond de l'appareil et le tiroir supérieur pour que l'air puisse circuler.
- Le dessous de l'appareil peut devenir très chaud. Veillez à installer un panneau de séparation sous l'appareil pour en bloquer l'accès. Ce panneau peut être en contreplaqué, provenir d'un autre meuble de cuisine, et doit être composé d'un matériau non inflammable.
- Le panneau de séparation doit couvrir entièrement l'espace sous la table de cuisson.

### 2.2 Branchement électrique



#### AVERTISSEMENT!

Risque d'incendie ou d'électrocution.

- Tous les raccordements électriques doivent être effectués par un électricien qualifié.
- L'appareil doit être relié à la terre.
- Avant toute intervention, assurez-vous que l'appareil est débranché.
- Assurez-vous que les paramètres figurant sur la plaque signalétique correspondent aux données électriques nominale de l'alimentation secteur.
- Assurez-vous que l'appareil est bien installé. Un câble d'alimentation lâche et inapproprié ou une fiche (si présente) non serrée peuvent être à l'origine d'une surchauffe des bornes.
- Utilisez le câble d'alimentation électrique approprié.
- Ne laissez pas le câble d'alimentation s'emmêler.
- Assurez-vous qu'une protection anti-électrocution est installée.
- Utilisez un collier anti-traction sur le câble.
- Assurez-vous que le câble d'alimentation ou la fiche (si présente) n'entrent pas en contact avec les surfaces brûlantes de l'appareil ou les récipients brûlants lorsque vous branchez l'appareil à des prises électriques situées à proximité.
- N'utilisez pas d'adaptateurs multiprise et de rallonges.
- Veillez à ne pas endommager la fiche secteur (si présente) ni le câble d'alimentation. Contactez notre service après-vente agréé ou un électricien pour remplacer le câble d'alimentation s'il est endommagé.
- La protection contre les chocs des parties sous tension et isolées doit être fixée de telle manière qu'elle ne puisse pas être enlevée sans outils.
- Ne branchez la fiche secteur dans la prise secteur qu'à la fin de l'installation. Assurez-vous que la prise secteur est accessible après l'installation.

- Si la prise secteur est détachée, ne branchez pas la fiche secteur.
- Ne tirez pas sur le câble secteur pour débrancher l'appareil. Tirez toujours sur la fiche de la prise secteur.
- N'utilisez que des systèmes d'isolation appropriés : des coupe-circuits, des fusibles (les fusibles à visser doivent être retirés du support), un disjoncteur différentiel et des contacteurs.
- L'installation électrique doit comporter un dispositif d'isolation qui vous permet de déconnecter l'appareil du secteur à tous les pôles. Le dispositif d'isolement doit avoir une largeur d'ouverture de contact de 3 mm minimum.

### 2.3 Utilisation



#### **AVERTISSEMENT!**

Risque de blessures, de brûlures ou d'électrocution.

- Avant la première utilisation, retirez les emballages, les étiquettes et les films de protection (si présents).
- Cet appareil est exclusivement à usage domestique (en intérieur).
- Ne modifiez pas les spécifications de cet appareil.
- Assurez-vous que les orifices d'aération ne sont pas obstrués.
- Ne laissez pas l'appareil sans surveillance durant son fonctionnement.
- Éteignez les zones de cuisson après chaque utilisation.
- Ne posez pas de couverts ou de couvercles sur les zones de cuisson. Elles sont chaudes.
- N'utilisez pas l'appareil avec des mains mouillées ou en contact avec de l'eau.
- N'utilisez pas l'appareil comme plan de travail ou comme espace de rangement.
- Si la surface de l'appareil est fissurée, débranchez-le immédiatement, afin d'éviter un choc électrique.
- Lorsque vous versez un aliment dans de l'huile chaude, elle peut éclabousser.



#### **AVERTISSEMENT!**

Risque d'incendie et d'explosion.

- Les graisses et les huiles lorsqu'elles sont chauffées peuvent dégager des vapeurs

inflammables. Tenez les flammes ou les objets chauds à distance des graisses et des huiles pendant que vous cuisinez.

- Les vapeurs que dégagent l'huile très chaude peuvent provoquer une combustion spontanée.
- Une huile déjà utilisée peut contenir des restes d'aliments et provoquer un incendie à une température plus basse qu'avec une huile neuve.
- Ne placez pas de produits inflammables ou d'éléments imbibés de produits inflammables à l'intérieur, à proximité ou au-dessus de l'appareil.



#### **AVERTISSEMENT!**

Risque d'endommagement de l'appareil.

- Ne laissez pas de récipients chauds sur le bandeau de commande.
- Ne posez pas de couvercle de casserole chaud sur la surface en verre de la table de cuisson.
- Ne laissez pas le contenu des récipients s'évaporer entièrement.
- Prenez soin de ne pas laisser tomber d'objets ou de récipients sur l'appareil. Sa surface risque d'être endommagée.
- Ne faites jamais fonctionner les zones de cuisson avec des récipients de cuisson vides ou sans aucun récipient de cuisson.
- Ne placez jamais de papier aluminium sur l'appareil.
- N'utilisez pas de récipients en fonte ou en aluminium, ni de récipients dont le fond est endommagé et rugueux. Ils risqueraient de rayer le verre ou la surface vitrocéramique. Soulevez toujours ces objets lorsque vous devez les déplacer sur la surface de cuisson.
- Cet appareil est exclusivement destiné à un usage culinaire. Ne l'utilisez pas pour des usages autres que celui pour lequel il a été conçu, à des fins de chauffage par exemple.

## 2.4 Entretien et Nettoyage



### AVERTISSEMENT!

Ne retirez pas les touches, manettes et joints du bandeau de commande. De l'eau pourrait s'infiltrer dans l'appareil et l'endommager.

- Nettoyez régulièrement l'appareil afin de maintenir le revêtement en bon état.
- Mettez à l'arrêt l'appareil et laissez-le refroidir avant de le nettoyer.
- Ne pulvérisez pas d'eau ni de vapeur pour nettoyer l'appareil.
- Nettoyez l'appareil avec un chiffon doux humide. Utilisez uniquement des produits de lavage neutres. N'utilisez pas de produits abrasifs, de tampons à récurer, de solvants ni d'objets métalliques.

## 2.5 Service

- Pour réparer l'appareil, contactez le service après-vente agréé. Utilisez uniquement des pièces de rechange d'origine.
- Concernant la/les lampe(s) à l'intérieur de ce produit et les lampes de rechange

vendues séparément : Ces lampes sont conçues pour résister à des conditions physiques extrêmes dans les appareils électroménagers, telles que la température, les vibrations, l'humidité, ou sont conçues pour signaler des informations sur le statut opérationnel de l'appareil. Elles ne sont pas destinées à être utilisées dans d'autres applications et ne conviennent pas à l'éclairage des pièces d'un logement.

## 2.6 Mise au rebut



### AVERTISSEMENT!

Risque de blessure ou d'asphyxie.

- Contactez votre service municipal pour obtenir des informations sur la marche à suivre pour mettre l'appareil au rebut.
- Débranchez l'appareil de l'alimentation électrique.
- Coupez le câble d'alimentation au ras de l'appareil et mettez-le au rebut.

# 3. INSTALLATION



### AVERTISSEMENT!

Reportez-vous aux chapitres concernant la sécurité.

## 3.1 Avant l'installation

Avant d'installer la table de cuisson, notez les informations de la plaque signalétique ci-dessous. La plaque signalétique se trouve au bas de la table de cuisson.

Modèle .....  
PNC .....  
Numéro de série .....

## 3.2 Tables de cuisson intégrées

Les tables de cuisson encastrables ne peuvent être mises en fonctionnement qu'après avoir été installées dans des meubles et sur des plans de travail homologués et adaptés.

## 3.3 Câble de connexion

- La table de cuisson est fournie avec un câble d'alimentation.
- Pour remplacer le câble d'alimentation endommagé, utilisez le type de câble suivant : H05V2V2-F qui doit supporter une température minimale de 90 °C. Contactez un service après-vente agréé. Le câble de raccordement ne peut être remplacé que par un électricien qualifié.

## 3.4 Installation du joint - Installation superposée

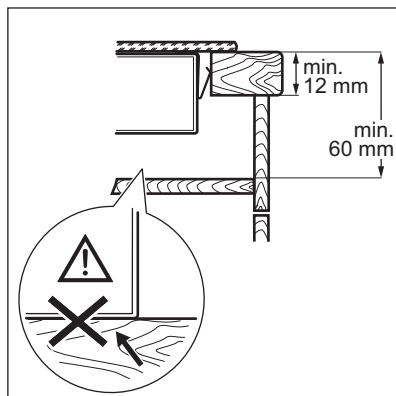
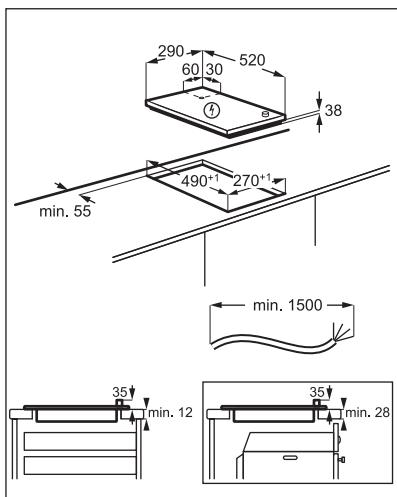
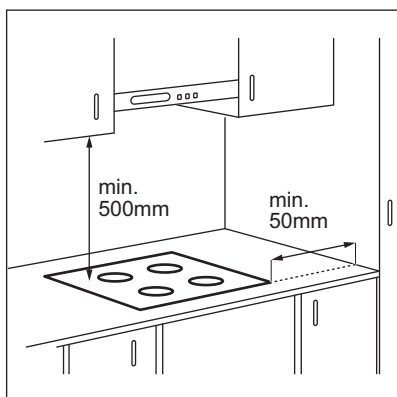
1. Nettoyez la zone de découpe du plan de travail.
2. Placez le joint de 2x6 mm fourni sur le bord inférieur de la table de cuisson, le long du bord externe de la surface vitrocéramique. N'étirez pas le joint.

Assurez-vous que les extrémités du joint se trouvent au milieu d'un bord latéral de la table de cuisson.

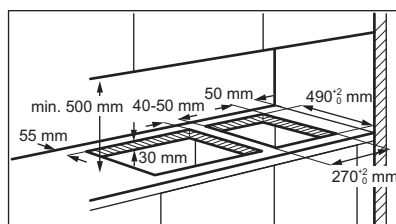
3. Lorsque vous découpez le joint, ajoutez quelques millimètres de longueur.
4. Rassemblez les deux extrémités du joint.

### 3.5 Assemblage

Si vous installez la table de cuisson sous une hotte, reportez-vous aux instructions d'installation de la hotte pour connaître la distance minimale entre les appareils.



### 3.6 Installation de plusieurs tables de cuisson



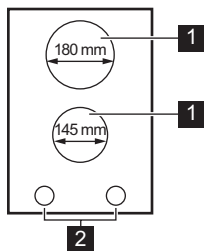
[www.youtube.com/electrolux](http://www.youtube.com/electrolux)  
[www.youtube.com/aeg](http://www.youtube.com/aeg)

How to install your Electrolux  
Domino Hob - Worktop installation



## 4. DESCRIPTION DE L'APPAREIL

### 4.1 Agencement des zones de cuisson



- 1** Zone de cuisson
- 2** Manettes de commande

### 4.2 Manette de commande

Symbole	Fonction
0	Position d'arrêt
1 - 6	Réglages de la température

### 4.3 Chaleur résiduelle



#### AVERTISSEMENT!

Il y a risque de brûlures par la chaleur résiduelle.

## 5. UTILISATION QUOTIDIENNE



#### AVERTISSEMENT!

Reportez-vous aux chapitres concernant la sécurité.

souhaité. Pour désactiver, tournez la manette sur la position Off.

### 5.1 Le niveau de cuisson

Pour régler ou modifier le niveau de cuisson, tournez la manette sur le niveau de cuisson

## 6. CONSEILS



#### AVERTISSEMENT!

Reportez-vous aux chapitres concernant la sécurité.

### 6.1 Récipients de cuisson

- Le fond du récipient de cuisson doit être aussi plat et épais que possible.



- Assurez-vous que le fond du récipient est propre avant de le placer sur la surface de la table de cuisson.
- Afin d'éviter les rayures, ne faites pas glisser et ne frottez pas le récipient sur la surface vitrocéramique.



Les récipients de cuisson avec un fond en émail, en aluminium ou en cuivre peuvent laisser des traces sur la surface vitrocéramique.

## 6.2 Exemples de cuissons

**Niveau Utilisation :  
de cuis-  
son :**

1 Maintenir au chaud

**Niveau Utilisation :  
de cuis-  
son :**

2 Faire mijoter doucement

3 Faire mijoter

4 Faire frire / gratiner

5 Faire bouillir

6 Faire bouillir / Saisir / Faire frire

## 7. ENTRETIEN ET NETTOYAGE



### AVERTISSEMENT!

Reportez-vous aux chapitres concernant la sécurité.

### 7.1 Informations générales

- Nettoyez la table de cuisson après chaque utilisation.
- Utilisez toujours un récipient dont le fond est propre.
- Les rayures ou les taches sombres sur la surface n'ont aucune incidence sur le fonctionnement de la table de cuisson.
- Utilisez un nettoyant spécialement adapté à la surface de la table de cuisson.
- Utilisez un grattoir spécial pour nettoyer la vitre.



Il est déconseillé de retirer les manettes.

### 7.2 Nettoyage de la table de cuisson

- **Enlevez immédiatement** : le plastique fondu, les feuilles de plastique, le sucre et

les aliments contenant du sucre car la saleté peut endommager la table de cuisson. Veillez à ne pas vous brûler. Tenez le racloir spécial incliné sur la surface vitrée et faites glisser la lame du racloir pour enlever les salissures.

- **Une fois que la table de cuisson a suffisamment refroidi, enlevez** : traces de calcaire et d'eau, projections de graisse, décolorations métalliques luisantes. Nettoyez la table de cuisson à l'aide d'un chiffon humide et d'un détergent non abrasif. Après le nettoyage, séchez la table de cuisson à l'aide d'un chiffon doux.
- **Pour retirer les décolorations métalliques brillantes** : utilisez une solution d'eau additionnée de vinaigre et nettoyez la surface vitrée avec un chiffon.

## 8. DÉPANNAGE



### AVERTISSEMENT!

Reportez-vous aux chapitres concernant la sécurité.

### 8.1 Que faire si...

Problème	Cause possible	Solution
Vous ne pouvez pas activer la table de cuisson ni la faire fonctionner.	La table de cuisson n'est pas branchée à une source d'alimentation électrique ou le branchement est incorrect.	Vérifiez que la table de cuisson est correctement branchée à une source d'alimentation électrique.
	Le fusible a disjoncté.	Assurez-vous que le fusible est la cause du dysfonctionnement. Si les fusibles disjonctent de manière répétée, faites appel à un électricien qualifié.

### 8.2 Si vous ne trouvez pas de solution...

Si vous ne trouvez pas de solution au problème, veuillez contacter votre revendeur ou un service après-vente agréé. Vous devez fournir les données figurant sur la plaque signalétique. Vous devez fournir également un code à 3 lettres pour la vitrocéramique (situé dans le coin de la surface en verre).

Assurez-vous d'utiliser correctement la table de cuisson. Si l'intervention d'un technicien ou d'un vendeur n'est pas gratuite, malgré la période de garantie en cours. Les informations concernant la période de garantie et les centres de service après-vente agréés figurent dans le livret de garantie.

## 9. CARACTÉRISTIQUES TECHNIQUES

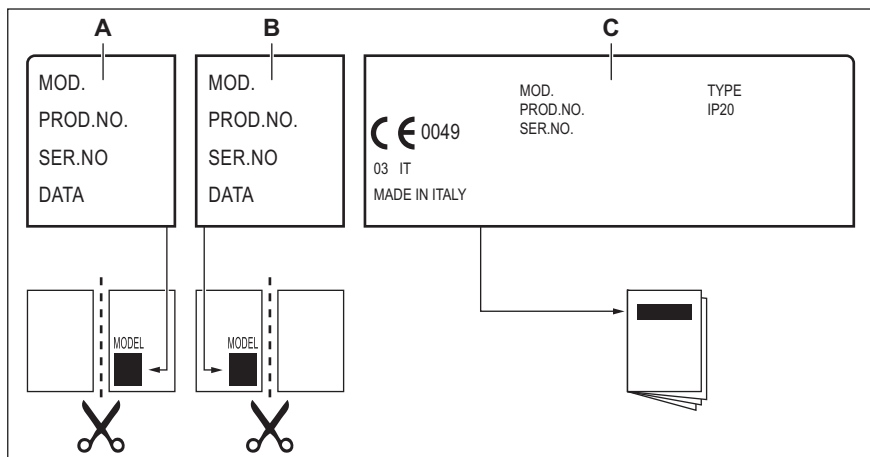
### 9.1 Spécification des zones de cuisson

Zone de cuisson	Puissance nominale (niveau de cuisson max.) [W]	Diamètre de la zone de cuisson [mm]
Avant centrale	1200	145
Arrière centrale	1700	180

Pour des résultats de cuisson optimaux, utilisez des récipients qui ne dépassent pas le diamètre de la zone de cuisson.

## 9.2 Étiquettes fournies dans le sachet des accessoires

Collez les étiquettes adhésives comme indiqué ci-dessous :



- A. Collez-la sur la carte de garantie et envoyez cette partie (le cas échéant).
- B. Collez-la sur la carte de garantie et conservez cette partie (le cas échéant).
- C. Collez-la sur la notice d'utilisation.

## 10. RENDEMENT ÉNERGÉTIQUE

### 10.1 Informations produits\*

Identification du modèle	EHF3920BOK	
Type de table de cuisson	Table de cuisson encastrable	
Nombre de zones de cuisson	2	
Technologie de chauffage	Radiant	
Diamètre des zones de cuisson circulaires (Ø)	Avant centrale	14,5 cm
	Arrière centrale	18,0 cm
Consommation d'énergie par zone de cuisson (EC electric cooking)	Avant centrale	194,9 Wh / kg
	Arrière centrale	194,9 Wh / kg
Consommation énergétique de la table de cuisson (EC electric hob)	194,9 Wh / kg	

\* Pour l'Union européenne conformément à EU 66/2014. Pour la Biélorussie conformément à la norme STB 2477-2017, annexe A. Pour l'Ukraine conformément à la norme 742/2019.


## 10.2 Économie d'énergie


Vous pouvez économiser de l'énergie au quotidien en suivant les conseils suivants.

- Si vous faites chauffer de l'eau, ne faites chauffer que la quantité dont vous avez réellement besoin.
- Si possible, couvrez toujours les récipients de cuisson avec un couvercle pendant la cuisson.
- Activez toujours la zone de cuisson après avoir posé le récipient dessus.

- Le fond du récipient doit avoir le même diamètre que la zone de cuisson.
- Placez les plus petits récipients sur les plus petites zones de cuisson.
- Posez directement le récipient au centre de la zone de cuisson.
- Vous pouvez utiliser la chaleur résiduelle pour conserver les aliments au chaud ou pour faire fondre.

## 11. EN MATIÈRE DE PROTECTION DE L'ENVIRONNEMENT

Recyclez les matériaux portant le symbole . Déposez les emballages dans les conteneurs prévus à cet effet. Contribuez à la protection de l'environnement et à votre sécurité, recyclez vos produits électriques et électroniques. Ne jetez pas les appareils

portant le symbole  avec les ordures ménagères. Emmenez un tel produit dans votre centre local de recyclage ou contactez vos services municipaux.

**F** FRANCE ONLY



## PENSIAMO A TE

Grazie per aver acquistato un elettrodomestico Electrolux. Hai scelto un prodotto che ha alle spalle decenni di esperienza professionale e innovazione. Ingegnoso ed elegante, è stato progettato pensando a te. Quindi, in qualsiasi momento lo utilizzi, avrai la certezza di ottenere sempre i migliori risultati.

Ti diamo il benvenuto in Electrolux.

**Visitate il nostro sito web per:**



Ricevere consigli, scaricare i nostri opuscoli, eliminare eventuali anomalie, ottenere informazioni sull'assistenza e la riparazione:

**[www.electrolux.com/support](http://www.electrolux.com/support)**



Per registrare il vostro prodotto e ricevere un servizio migliore:

**[www.registerelectrolux.com](http://www.registerelectrolux.com)**



Acquistare accessori, materiali di consumo e ricambi originali per la vostra apparecchiatura:

**[www.electrolux.com/shop](http://www.electrolux.com/shop)**

## ASSISTENZA CLIENTI E ASSISTENZA TECNICA

Consigliamo sempre l'impiego di ricambi originali.

Quando si contatta il nostro Centro di Assistenza Autorizzato, accertarsi di avere a disposizione i dati seguenti: Modello, numero dell'apparecchio (PNC), numero di serie.

Le informazioni sono riportate sulla targhetta identificativa.

 Avvertenza/Attenzione - Importanti Informazioni per la sicurezza

 Informazioni generali e suggerimenti

 Informazioni ambientali

Con riserva di modifiche.

## INDICE

1. INFORMAZIONI DI SICUREZZA.....	37
2. ISTRUZIONI DI SICUREZZA.....	40
3. INSTALLAZIONE.....	42
4. DESCRIZIONE DEL PRODOTTO.....	44
5. UTILIZZO QUOTIDIANO.....	44
6. CONSIGLI E SUGGERIMENTI UTILI.....	44
7. MANUTENZIONE E PULIZIA.....	45
8. GUIDA ALLA RISOLUZIONE DEI PROBLEMI.....	45
9. DATI TECNICI.....	46
10. EFFICIENZA ENERGETICA.....	47
11. CONSIDERAZIONI SULL'AMBIENTE.....	48

## 1. INFORMAZIONI DI SICUREZZA

Leggere attentamente le istruzioni fornite prima di installare e utilizzare l'apparecchiatura. I produttori non sono responsabili

di eventuali lesioni o danni derivanti da un'installazione o un uso scorretti. Conservare sempre le istruzioni in un luogo sicuro e accessibile per poterle consultare in futuro.

## **1.1 Sicurezza dei bambini e delle persone vulnerabili**

- Quest'apparecchiatura può essere usata da bambini a partire da 8 anni di età e da adulti con capacità fisiche, sensoriali o mentali limitate o con scarsa esperienza e conoscenza sull'uso dell'apparecchiatura, solamente se sorvegliati o se istruiti relativamente all'utilizzo in sicurezza dell'apparecchiatura e se hanno compreso i rischi coinvolti. I bambini che hanno meno di 8 anni e le persone con disabilità diffuse e complesse vanno tenuti lontani dall'elettrodomestico, a meno che non vi sia una supervisione continua.
- I bambini devono essere sorvegliati per assicurarsi che non giochino con l'apparecchiatura.
- Tenere gli imballaggi lontano dai bambini e smaltirli in modo adeguato.
- **AVVERTENZA:** Tenere i bambini e gli animali domestici lontani dall'elettrodomestico durante il funzionamento o il raffreddamento. Le parti accessibili si riscaldano molto durante l'uso.
- Se l'elettrodomestico ha un dispositivo di sicurezza per i bambini sarà opportuno attivarlo.
- I bambini non devono eseguire interventi di pulizia e manutenzione sull'elettrodomestico senza essere supervisionati.

## **1.2 Avvertenze di sicurezza generali**

- **AVVERTENZA:** L'elettrodomestico e le parti accessibili si riscaldano molto durante l'uso. Fare attenzione a non toccare gli elementi riscaldanti.
- **AVVERTENZA:** Non lasciare mai il piano cottura incustodito durante la preparazione di pietanze in quanto olio e grassi potrebbero incendiarsi.

- Non tentare MAI di spegnere un incendio con dell'acqua; spegnere l'apparecchiatura e coprire le fiamme ad es. con un coperchio o una coperta di protezione dal fuoco.
- AVVERTENZA: L'apparecchiatura non deve essere alimentata tramite un commutatore esterno, come un timer, o collegata a un circuito regolarmente acceso e spento da un'azienda.
- ATTENZIONE: Il processo di cottura deve essere sorvegliato. I processi di cottura brevi devono essere sorvegliati continuamente.
- AVVERTENZA: Pericolo di incendio: Non conservare alcun oggetto sulle superfici di cottura.
- Oggetti metallici quali coltelli, forchette, cucchiaini e coperchi non devono essere posti sulla superficie del piano di cottura in quanto possono diventare molto caldi.
- Non usare l'apparecchiatura prima di installarla nella struttura a incasso.
- Non utilizzare vaporelle per pulire l'elettrodomestico.
- Se la superficie in vetroceramica/vetro presenta delle crepe, spegnere l'apparecchiatura e scollegarla dalla presa di corrente. Qualora l'apparecchiatura sia collegata direttamente alla corrente mediante una scatola di derivazione, togliere il fusibile per scollegarla dall'alimentazione. In ogni caso, contattare il Centro Assistenza Autorizzato.
- Se il cavo di alimentazione è danneggiato, deve essere sostituito dal produttore, da un tecnico autorizzato o da una persona qualificata per evitare situazioni di pericolo.
- AVVERTENZA: Utilizzare esclusivamente protezioni per il piano cottura progettate dal produttore dell'apparecchiatura o indicate dallo stesso nelle istruzioni d'uso, come ad esempio accessori idonei o le protezioni per il piano cottura incorporate nell'apparecchiatura. Utilizzare protezioni inadeguate aumenta il rischio di incidenti.

## 2. ISTRUZIONI DI SICUREZZA

### 2.1 Installazione



#### **AVVERTENZA!**

L'installazione dell'apparecchiatura deve essere eseguita da personale qualificato.



#### **AVVERTENZA!**

Vi è il rischio di ferirsi o danneggiare l'apparecchiatura.

- Rimuovere tutti i materiali di imballaggio.
- Non installare o utilizzare l'apparecchiatura se è danneggiata.
- Attenersi alle istruzioni fornite insieme all'apparecchiatura.
- È necessario rispettare la distanza minima dalle altre apparecchiature.
- Prestare sempre attenzione in fase di spostamento dell'apparecchiatura, dato che è pesante. Usare sempre i guanti di sicurezza e le calzature adeguate.
- Proteggere le superfici di taglio con un materiale di tenuta per evitare che l'umidità causi dei rigonfiamenti.
- Proteggere la base dell'apparecchiatura da vapore e umidità.
- Non installare l'apparecchiatura accanto ad una porta o sotto una finestra, per evitare che pentole calde cadano dall'apparecchiatura quando la porta o la finestra sono aperte.
- Se l'apparecchiatura viene installata sopra dei cassetti, assicurarsi che lo spazio, tra la base dell'apparecchiatura e il cassetto superiore, sia sufficiente per il ricircolo d'aria.
- La base dell'apparecchiatura può surriscaldarsi. Verificare di installare un pannello di separazione in compensato, nel materiale della struttura della cucina o in altro materiale non infiammabile sotto all'apparecchiatura al fine di evitare l'accesso dal basso.
- Il pannello di separazione deve coprire completamente l'area sotto al piano cottura.

### 2.2 Collegamento elettrico



#### **AVVERTENZA!**

Rischio di incendio e scossa elettrica.

- Tutti i collegamenti elettrici devono essere realizzati da un elettricista qualificato.
- L'apparecchiatura deve disporre di una messa a terra.
- Prima di qualsiasi intervento, è necessario verificare che l'apparecchiatura sia scollegata dalla rete elettrica.
- Verificare che i parametri sulla targhetta siano compatibili con le indicazioni elettriche dell'alimentazione.
- Verificare che l'apparecchiatura sia installata correttamente. L'allentamento di un collegamento elettrico o di una spina (ove previsti) può provocare il surriscaldamento del terminale.
- Utilizzare il cavo di alimentazione appropriato.
- Evitare che i collegamenti elettrici si aggroviglino.
- Assicurarsi che la protezione da scosse elettriche sia installata.
- Utilizzare il morsetto fermacavo sul cavo.
- Assicurarsi che il cavo di alimentazione o la spina (ove prevista) non sfiori l'apparecchiatura calda o pentole calde quando si collega l'apparecchiatura alle prese vicine.
- Non utilizzare prese multiple e prolunghere.
- Accertarsi di non danneggiare la spina o il cavo (ove previsti). Contattare il nostro Centro Assistenza autorizzato o un elettricista qualificato per sostituire un cavo danneggiato.
- I dispositivi di protezione da scosse elettriche devono essere fissati in modo tale da non poter essere disattivati senza l'uso di attrezzi.
- Inserire la spina di alimentazione nella presa solo al termine dell'installazione. Verificare che la spina di alimentazione rimanga accessibile dopo l'installazione.
- Nel caso in cui la spina di corrente sia allentata, non collegarla alla presa.



- Non tirare il cavo di alimentazione per scollegare l'apparecchiatura. Tirare sempre dalla spina.
- Servirsi unicamente di dispositivi di isolamento adeguati: interruttori automatici, fusibili (quelli a tappo devono essere rimossi dal portafusibile), sganciatori per correnti di guasto a terra e relè.
- L'impianto elettrico deve essere dotato di un dispositivo di isolamento che consenta di scollegare l'apparecchiatura dalla presa di corrente a tutti i poli. Il dispositivo di isolamento deve avere una larghezza dell'apertura di contatto non inferiore ai 3 mm.

### 2.3 Utilizzare



#### **AVVERTENZA!**

Rischio di lesioni, ustioni o scosse elettriche.

- Rimuovere tutti i materiali di imballaggio, le etichette e la pellicola protettiva (ove presente) prima del primo utilizzo.
- Quest'apparecchiatura è destinata esclusivamente all'uso domestico (al chiuso).
- Non modificare le specifiche tecniche dell'apparecchiatura.
- Assicurarsi che le aperture di ventilazione non siano bloccate.
- Non lasciare l'elettrodomestico incustodito durante il funzionamento.
- Impostare la zona di cottura su "off" dopo ogni utilizzo.
- Non appoggiare posate o coperchi sulle zone di cottura. Possono diventare roventi.
- Non accendere l'elettrodomestico con le mani bagnate o quando è a contatto con l'acqua.
- Non utilizzare l'elettrodomestico come superficie di lavoro o come superficie di deposito.
- Se la superficie dell'apparecchiatura presenta delle incrinature, scollegarla immediatamente dall'alimentazione per evitare scosse elettriche.
- Un alimento immerso nell'olio molto caldo può provocare degli schizzi.



#### **AVVERTENZA!**

Pericolo di incendio ed esplosioni.

- Grassi e olio riscaldati possono rilasciare vapori infiammabili. Tenere le fiamme o gli oggetti caldi lontani da grassi e oli in fase di cottura.
- I vapori rilasciati dall'olio a temperatura elevata possono provocare una combustione spontanea.
- L'olio usato, che può contenere residui di cibo, può causare un incendio a una temperatura inferiore rispetto all'olio utilizzato per la prima volta.
- Non appoggiare o tenere liquidi o materiali infiammabili, né oggetti facilmente infiammabili sull'apparecchiatura, al suo interno o nelle immediate vicinanze.



#### **AVVERTENZA!**

Vi è il rischio di danneggiare l'apparecchiatura.

- Non poggiare pentole calde sul pannello dei comandi.
- Non mettere coperchi caldi sulla superficie in vetro del piano cottura.
- Non esporre al calore pentole vuote.
- Fare attenzione a non lasciar cadere oggetti o pentole sull'apparecchiatura. La superficie si potrebbe danneggiare.
- Non mettere in funzione le zone di cottura in assenza di pentole o con pentole vuote.
- Non appoggiare la pellicola di alluminio direttamente sull'apparecchiatura.
- Lo spostamento di pentole in ghisa, in alluminio o con fondi danneggiati può graffiare il vetro o la vetroceramica. Per spostare questi oggetti sollevarli sempre dalla superficie di cottura.
- L'apparecchiatura è destinata solo alla cottura. Non deve essere utilizzata per altri scopi, come per esempio il riscaldamento di un ambiente.

## 2.4 Pulizia e cura



### AVVERTENZA!

Non togliere pulsanti, manopole o guarnizioni dal pannello dei comandi. L'acqua potrebbe penetrare nell'apparecchiatura e causare danni.

- Pulire regolarmente l'apparecchiatura per evitare il deterioramento dei materiali che compongono la superficie.
- Disattivare l'apparecchiatura e lasciarla raffreddare prima di procedere con la pulizia.
- Non nebulizzare acqua né utilizzare vapore per pulire l'apparecchiatura.
- Pulire l'apparecchiatura con un panno inumidito e morbido. Utilizzare solo detergenti neutri. Non usare prodotti abrasivi, spugnette abrasive, solventi od oggetti metallici.

## 2.5 Assistenza

- Per far riparare l'apparecchiatura, rivolgersi a un Centro di Assistenza Autorizzato. Utilizzare solo ricambi originali.

- Per quanto riguarda la lampada o le lampade all'interno di questo prodotto e le lampade di ricambio vendute separatamente: Queste lampade sono destinate a resistere a condizioni fisiche estreme negli elettrodomestici, come temperatura, vibrazioni, umidità, o sono destinate a segnalare informazioni sullo stato operativo dell'apparecchio. Non sono destinate ad essere utilizzate in altre applicazioni e non sono adatte per l'illuminazione di ambienti domestici.

## 2.6 Smaltimento



### AVVERTENZA!

Rischio di lesioni o soffocamento.

- Contattare le autorità locali per ricevere informazioni su come smaltire correttamente l'apparecchiatura.
- Staccare la spina dall'alimentazione elettrica.
- Tagliare il cavo elettrico dell'apparecchiatura e smaltirlo.

# 3. INSTALLAZIONE



### AVVERTENZA!

Fare riferimento ai capitoli sulla sicurezza.

## 3.1 Prima dell'installazione

Prima di installare il piano di cottura, annotare l'informazione riportata di seguito presente sulla targhetta dei dati. La targhetta dei dati è applicata sul lato inferiore del piano di cottura.

Modello .....  
PNC .....  
Numero di serie .....

## 3.2 Piani di cottura da incasso

Utilizzare esclusivamente piani di cottura da incasso solo dopo l'installazione in idonei piani di lavoro e mobili da incasso conformi alle norme.

## 3.3 Cavo di collegamento

- Il piano cottura è fornito con un cavo di collegamento.
- Per sostituire il cavo di alimentazione danneggiato, usare il seguente tipo di cavo: H05V2V2-F che resiste a una temperatura di 90 °C o superiore. Contattare un Centro Assistenza Autorizzato. Il cavo di collegamento può essere sostituito solo da elettricisti qualificati.

## 3.4 Fissaggio della guarnizione - Installazione in alto

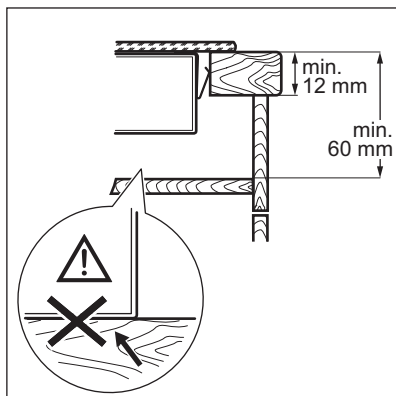
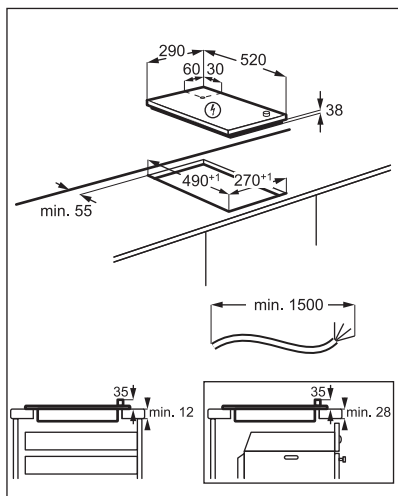
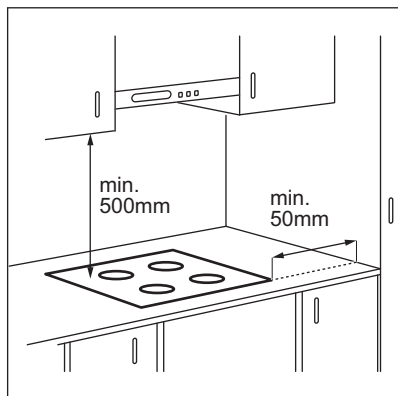
1. Pulire il piano di lavoro attorno alla zona di incasso.
2. Fissare il nastro adesivo in dotazione 2x6 mm attorno alla parte inferiore dell'apparecchiatura lungo il bordo

esterno del piano in vetroceramica. Non tenderla. Assicurarsi che le estremità del nastro adesivo si trovino al centro di un lato del piano di cottura.

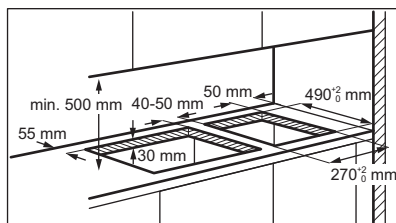
3. Lasciare alcuni qualche millimetro di nastro adesivo in più prima di tagliare.
4. Unire le due estremità del nastro adesivo.

### 3.5 Montaggio

Se s'installa il piano cottura sotto una cappa, consultare le istruzioni d'installazione della cappa per la distanza minima tra le apparecchiature.



### 3.6 Installazione di più di un piano cottura



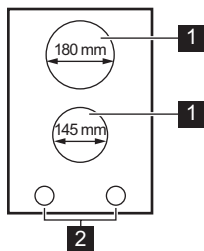
[www.youtube.com/electrolux](http://www.youtube.com/electrolux)  
[www.youtube.com/aeg](http://www.youtube.com/aeg)

How to install your Electrolux  
Domino Hob - Worktop installation



## 4. DESCRIZIONE DEL PRODOTTO

### 4.1 Disposizione del piano di cottura



- 1 Zona di cottura
- 2 Manopole di regolazione

### 4.2 Manopola di regolazione

Simbolo	Funzione
0	Posizione spento
1 - 6	Livelli di potenza

### 4.3 Calore residuo



#### AVVERTENZA!

Il calore residuo può causare ustioni.

## 5. UTILIZZO QUOTIDIANO



#### AVVERTENZA!

Fare riferimento ai capitoli sulla sicurezza.

potenza corretto. Portare la manopola sulla posizione di spento per spegnere l'apparecchiatura.

### 5.1 Livello di potenza

Per impostare o modificare il livello di potenza, ruotare la manopola sul livello di

## 6. CONSIGLI E SUGGERIMENTI UTILI



#### AVVERTENZA!

Fare riferimento ai capitoli sulla sicurezza.

### 6.1 Pentole

- Il fondo delle pentole deve essere il più possibile spesso e piano.

- Verificare che le basi della pentola siano asciutte prima di collocarle sulla superficie del piano cottura.
- Per evitare graffi, non far scivolare o strofinare la pentola sul vetroceramica.



Le stoviglie in acciaio smaltato e con i basamenti in alluminio o rame possono subire perdite di colore sulla superficie in vetroceramica.

## 6.2 Esempi di impiego per la cottura

**Livello di potenza:**

1 Trasmissione del calore

**Livello di potenza:**

2	Cottura delicata a fuoco lento
3	Cottura a fuoco lento
4	Frittura/rosolatura
5	Portare a ebollizione
6	Portare a ebollizione/frittura veloce/frittura in olio abbondante

## 7. MANUTENZIONE E PULIZIA



### AVVERTENZA!

Fare riferimento ai capitoli sulla sicurezza.

### 7.1 Informazioni generali

- Pulire il piano cottura dopo ogni utilizzo.
- Usare sempre pentole con il fondo pulito.
- Graffi o macchie scure sulla superficie non hanno alcun effetto sul funzionamento del piano cottura.
- Usare un prodotto di pulizia adatto alla superficie del piano di cottura.
- Usare un raschietto specifico per vetro.



Non è consigliabile rimuovere i pomelli.

### 7.2 Pulizia del piano di cottura

- **Togliere immediatamente:** plastica sciolta, pellicola in plastica, zucchero e

alimenti con zucchero, in caso contrario la sporcizia potrebbe causare danni al piano cottura. Attenzione a evitare le ustioni. Appoggiare lo speciale raschietto sulla superficie in vetro, formando un angolo acuto, e spostare la lama sulla superficie.

- **Quando il piano di cottura è sufficientemente raffreddato, è possibile rimuovere:** i segni di calcare e d'acqua, le macchie di grasso e le macchie opalescenti. Pulire il piano di cottura con un panno umido e un detergente non abrasivo. Al termine della pulizia, asciugare il piano di cottura con un panno morbido.
- **Togliere macchie opalescenti:** usare una soluzione di acqua con aceto e pulire la superficie in vetro con un panno.

## 8. GUIDA ALLA RISOLUZIONE DEI PROBLEMI



### AVVERTENZA!

Fare riferimento ai capitoli sulla sicurezza.

## 8.1 Cosa fare se...

Problema	Causa possibile	Soluzione
Non è possibile attivare il piano cottura o metterlo in funzione.	Il piano cottura non è collegato a una fonte di alimentazione elettrica o non è collegato correttamente.	Accertarsi che il piano cottura sia collegato correttamente alla rete elettrica.
	È saltato il fusibile.	Verificare che il fusibile sia la causa del malfunzionamento. Nel caso in cui il fusibile continui a saltare, rivolgersi ad un elettricista qualificato.

## 8.2 Qualora non sia possibile trovare una soluzione...

Qualora non sia possibile trovare una soluzione al problema, contattare il rivenditore o il Centro di Assistenza Autorizzato. Fornire i dati riportati sulla targhetta identificativa. Fornire inoltre il codice a tre lettere per il piano in vetroceramica (si trova nell'angolo della

superficie in vetro). Assicurarsi che il piano cottura sia stato messo in funzione correttamente. In caso contrario, anche durante il periodo di garanzia, l'intervento di assistenza da parte di un tecnico dell'assistenza o del rivenditore non sarà gratuito. Le informazioni sul periodo di garanzia e i Centri di Assistenza Autorizzati sono contenute nel libretto di garanzia.

## 9. DATI TECNICI

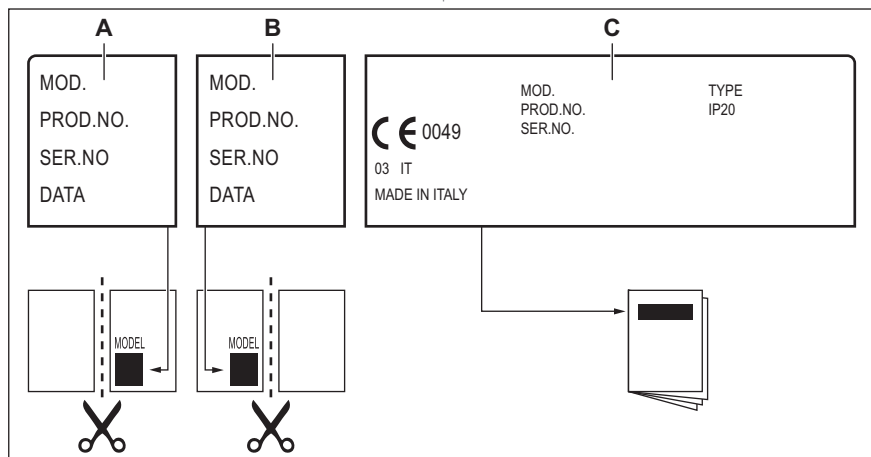
### 9.1 Caratteristiche tecniche zone di cottura

Zona di cottura	Potenza nominale (impostazione di calore massima) [W]	Diametro della zona di cottura [mm]
Anteriore centrale	1200	145
Posteriore centrale	1700	180

Per risultati di cottura ottimali, utilizzare pentole con un diametro non superiore alla zona di cottura.

## 9.2 Etichette fornite con il sacchetto degli accessori

Attaccare le etichette adesive come indicato di seguito:



- A. Attaccarla sul Foglietto di garanzia ed inviare questa parte (ove prevista).
- B. Attaccarla sul Foglietto di garanzia e conservare questa parte (ove prevista).
- C. Attaccarla sul libretto di istruzioni.

## 10. EFFICIENZA ENERGETICA

### 10.1 Informazioni sul prodotto\*

Identificazione modello	EHF3920BOK	
Tipo di piano cottura	Piano cottura a incasso	
Numero di zone di cottura	2	
Tecnologia di riscaldamento	Riscaldatore radiante	
Diametro delle zone di cottura circolari (Ø)	Anteriore centrale	14,5 cm
	Posteriore centrale	18,0 cm
Consumo di energia per zona di cottura (EC electric cooking)	Anteriore centrale	194,9 Wh / kg
	Posteriore centrale	194,9 Wh / kg
Consumo di energia del piano di cottura (EC electric hob)	194,9 Wh / kg	

\* Per l'Unione Europea conformemente a EU 66/2014. Per Bielorussia conformemente a STB 2477-2017, Allegato A. Per l'Ucraina conformemente al 742/2019.


## 10.2 Risparmio energetico


È possibile risparmiare energia quotidianamente durante la cottura seguendo i suggerimenti che seguono.

- Quando si riscalda l'acqua, utilizzare solo la quantità necessaria.
- Se possibile, coprire sempre le pentole con il coperchio.
- Prima di attivare la zona di cottura, sistemare la pentola.

- Il fondo della pentola deve avere lo stesso diametro della zona di cottura.
- Sistemare le pentole più piccole sulle zone di cottura più piccole.
- Posizionare le pentole direttamente al centro della zona di cottura.
- Utilizzare il calore residuo per mantenere caldi i cibi o fonderli.

## 11. CONSIDERAZIONI SULL'AMBIENTE

Riciclare i materiali con il simbolo . Buttare l'imballaggio negli appositi contenitori per il riciclaggio. Aiutare a proteggere l'ambiente e la salute umana e a riciclare rifiuti derivanti da apparecchiature elettriche ed elettroniche. Non smaltire le apparecchiature che

riportano il simbolo  insieme ai normali rifiuti domestici. Portare il prodotto al punto di riciclaggio più vicino o contattare il comune di residenza.



## WIJ DENKEN AAN JOU

Bedankt voor je aankoop van een Electrolux-apparaat. Je hebt voor een product gekozen dat decennia aan professionele ervaring en innovatie met zich meebrengt. Ingenieur en stijlvol en ontworpen met jou in het achterhoofd. Dus wanneer je het gebruikt, kan je erop rekenen dat je telkens weer geweldige resultaten krijgt.

Welkom bij Electrolux.

**Ga naar onze website voor:**



Advies over gebruik, brochures, het oplossen van problemen, service- en reparatie-informatie:

**[www.electrolux.com/support](http://www.electrolux.com/support)**



Registreer je product voor een betere service:

**[www.registerelectrolux.com](http://www.registerelectrolux.com)**



Koop accessoires, verbruiksartikelen en originele reserveonderdelen voor je apparaat:


**[www.electrolux.com/shop](http://www.electrolux.com/shop)**

## KLANTENSERVICE EN SERVICE


Gebruik altijd originele onderdelen.

Als u contact opneemt met onze erkende servicedienst, zorg er dan voor dat u de volgende gegevens tot uw beschikking hebt: Model, PNC, serienummer.

De informatie vindt u op het typeplaatje.

 Waarschuwingen en veiligheidsinformatie

 Algemene informatie en tips

 Milieu-informatie

Wijzigingen voorbehouden.

## INHOUDSOPGAVE

1. VEILIGHEIDSINFORMATIE.....	49
2. VEILIGHEIDSVOORSCHRIFTEN.....	52
3. INSTALLATIE.....	54
4. BESCHRIJVING VAN HET PRODUCT.....	56
5. DAGELIJKS GEBRUIK.....	56
6. AANWIJZINGEN EN TIPS.....	56
7. ONDERHOUD EN REINIGING.....	57
8. PROBLEEMOPLOSSING.....	58
9. TECHNISCHE GEGEVENS.....	58
10. ENERGIEZUINIGHEID.....	59
11. MILIEUBESCHERMING.....	60

## 1. VEILIGHEIDSINFORMATIE

Lees zorgvuldig de meegeleverde instructies voor installatie en gebruik van het apparaat. De fabrikant is niet

verantwoordelijk voor verwondingen of schade die voortvloeit uit de onjuiste installatie of het onjuiste gebruik. Bewaar de instructies altijd op een veilige, toegankelijke plek voor toekomstig gebruik.

## **1.1 Veiligheid van kinderen en kwetsbare personen**

- Dit apparaat kan worden gebruikt door kinderen van 8 jaar en ouder en door mensen met een beperkt lichamelijk, zintuiglijk of verstandelijk vermogen of een gebrek aan ervaring en kennis, indien zij onder toezicht staan of instructies hebben gekregen over het veilig gebruiken van het apparaat en indien zij de gevaren begrijpen. Kinderen jonger dan 8 jaar en personen met zware en complexe beperkingen dienen altijd uit de buurt van het apparaat te worden gehouden, tenzij ze voortdurend onder toezicht staan.
- Houd toezicht op kinderen om te voorkomen dat zij met het apparaat gaan spelen..
- Houd alle verpakking uit de buurt van kinderen en gooi het op passende wijze weg.
- **WAARSCHUWING:** Houd kinderen en huisdieren uit de buurt van het apparaat als die in werking is of afkoelt. Makkelijk toegankelijke onderdelen worden heet tijdens het gebruik.
- Als het apparaat is voorzien van een kinderslot, dient dit te worden geactiveerd.
- Kinderen mogen zonder toezicht geen reinigings- en onderhoudswerkzaamheden aan het apparaat uitvoeren.

## **1.2 Algemene veiligheid**

- **WAARSCHUWING:** Het apparaat en de toegankelijke onderdelen ervan worden heet tijdens het gebruik. U dient te voorkomen de verwarmingselementen aan te raken.
- **WAARSCHUWING:** Onbewaakt koken op een kookplaat met vet of olie kan gevaarlijk zijn en tot brand leiden.

- Probeer **NOOIT** om een brand te blussen met water. Schakel het apparaat uit en bedek vervolgens de vlam, bv. met een deksel of een vuurdeken.
- **WAARSCHUWING:** Het apparaat mag niet van stroom worden voorzien door een extern schakelapparaat, zoals een tijdklok, of aangesloten worden op een circuit dat door het elektriciteitsbedrijf regelmatig aan en uit wordt geschakeld.
- **LET OP:** Het kookproces moet bewaakt worden. Een kort kookproces moet voortdurend bewaakt worden.
- **WAARSCHUWING:** Brandgevaar: Bewaar geen voorwerpen op de kookoppervlakken.
- Metalen voorwerpen, zoals messen, vorken, lepels en deksels mogen niet op het oppervlak van de kookplaat worden geplaatst, aangezien ze heet kunnen worden.
- Gebruik het apparaat niet voordat u het in de ingebouwde structuur installeert.
- Gebruik geen stoomreiniger om het apparaat schoon te maken.
- Als de glaskeramische / glazen oppervlakte gebarsten is, schakel het apparaat dan uit en trek de stekker uit het stopcontact. In het geval het apparaat rechtstreeks op de stroom is aangesloten met een aansluitdoos, verwijdert u de zekering om het apparaat van de stroom te halen. Neem altijd contact op met de erkende servicedienst.
- Als de voedingskabel beschadigd is, moet de fabrikant, een erkende serviceverlener of een gekwalificeerd persoon deze vervangen teneinde gevaarlijke situaties te voorkomen.
- **WAARSCHUWING:** Gebruik alleen kookplaatbeschermers die door de fabrikant van het kookapparaat zijn ontworpen of door de fabrikant van het apparaat in de gebruiksinstructies als geschikt zijn aangegeven of kookplaatbeschermers die in het apparaat zijn geïntegreerd. Het gebruik van ongeschikte kookplaatbeschermers kan ongelukken veroorzaken.

## 2. VEILIGHEIDSVOORSCHRIFTEN

### 2.1 Installatie



#### **WAARSCHUWING!**

Alleen een erkende installatietechnicus mag het apparaat installeren.



#### **WAARSCHUWING!**

Gevaar voor letsel of schade aan het apparaat.

- Verwijder alle verpakkingsmaterialen.
- Installeer en gebruik geen beschadigd apparaat.
- Volg de installatie-instructies die zijn meegeleverd met het apparaat.
- Houd de minimumafstand naar andere apparaten en units in acht.
- Pas altijd op bij verplaatsing van het apparaat, want het is zwaar. Gebruik altijd veiligheidshandschoenen en gesloten schoeisel.
- Dicht de oppervlakken af met kit om te voorkomen dat ze gaan opzetten door vocht.
- Bescherm de bodem van het apparaat tegen stoom en vocht.
- Installeer het apparaat niet naast een deur of onder een raam. Dit voorkomt dat heet kookgerei van het apparaat valt als de deur of het raam wordt geopend.
- Als het apparaat geïnstalleerd is boven lades zorg er dan voor dat de ruimte tussen de onderkant van het apparaat en de bovenste lade voldoende is voor luchtcirculatie.
- De onderkant van het apparaat kan heet worden. Zorg ervoor dat u onder het apparaat een scheidingspaneel installeert dat gemaakt is van triplex, keukenkastmateriaal of ander niet-brandbaar materiaal om te voorkomen dat hij de bodem raakt.
- Het afscheidingspaneel moet het volledige gebied onder de kookplaat bedekken.

### 2.2 Aansluiting aan het elektriciteitsnet



#### **WAARSCHUWING!**

Gevaar voor brand en elektrische schokken.

- Alle elektrische aansluitingen moeten door een gediplomeerd elektromonteur worden gemaakt.
- Dit apparaat moet worden aangesloten op een geaard stopcontact.
- Verzeker u ervan dat de stekker uit het stopcontact is getrokken, voordat u welke werkzaamheden dan ook uitvoert.
- Zorg ervoor dat de parameters op het vermogensplaatje overeenkomen met elektrische vermogen van de netstroom.
- Zorg ervoor dat het apparaat correct is geïnstalleerd. Losse en onjuiste stroomkabels of stekkers (indien van toepassing) kunnen ervoor zorgen dat de contactklem te heet wordt.
- Gebruik de juiste stroomkabel.
- Voorkom dat de stroomkabels verstrikt raken.
- Zorg ervoor dat er een schokbescherming wordt geïnstalleerd.
- Gebruik het klem om spanning op het snoer te voorkomen.
- Zorg ervoor dat de stroomkabel of stekker (indien van toepassing) het hete apparaat of heet kookgerei niet aanraakt als u het apparaat op de nabijgelegen contactdozen aansluit.
- Gebruik geen adapters met meerdere stekkers en verlengkabels.
- Zorg dat u de hoofdstekker (indien van toepassing) of kabel niet beschadigt. Neem contact op met onze service-afdeling of een elektromonteur om een beschadigde hoofdkabel te vervangen.
- De schokbescherming van delen onder stroom en geïsoleerde delen moet op zo'n manier worden bevestigd dat het niet zonder gereedschap kan worden verplaatst.
- Steek de stekker pas in het stopcontact als de installatie is voltooid. Zorg ervoor

dat het netsnoer na installatie bereikbaar is.

- Als het stopcontact los zit, mag u de stekker niet in het stopcontact steken.
- Trek niet aan het netsnoer om het apparaat los te koppelen. Trek altijd aan de stekker.
- Gebruik enkel correcte isolatievoorzieningen: stroomonderbrekers, zekeringen (schroefzekeringen moeten uit de houder worden verwijderd), aardlekschakelaars en contactgevers.
- De elektrische installatie moet een isolatieapparaat bevatten waardoor het apparaat volledig van het lichtnet afgesloten kan worden. Het isolatieapparaat moet een contactopening hebben met een minimale breedte van 3 mm.

## 2.3 Gebruik



### WAARSCHUWING!

Gevaar voor letsel, brandwonden of elektrische schokken.

- Verwijder voor gebruik (indien van toepassing) de verpakking, labels en beschermfolie.
- Dit apparaat is uitsluitend bestemd voor (binnenshuis) huishoudelijk gebruik.
- De specificatie van dit apparaat niet wijzigen.
- Zorg ervoor dat de ventilatieopeningen niet geblokkeerd worden.
- Laat het apparaat tijdens de werking niet onbeheerd achter.
- Zet de kookzone op "uit" na elk gebruik.
- Leg geen bestek of pannendeckels op de kookzones. Deze kunnen heet worden.
- Gebruik het apparaat niet met natte handen of als het contact maakt met water.
- Gebruik het apparaat niet als werkblad of als opslagoppervlak.
- Als het oppervlak van het apparaat gebarsten is, haal dan onmiddellijk de stekker uit het stopcontact. Dit voorkomt elektrische schokken.
- Als u eten in de hete olie doet, kan het spatten.



### WAARSCHUWING!

Risico op brand en explosie

- Wanneer ze verwarmd worden, kunnen vetten en oliën ontvlambare dampen afgeven. Houd vlammen of verwarmde voorwerpen uit de buurt van vetten en oliën als u ermee kookt.
- De dampen die erg hete olie vrijkomen, kunnen spontane ontbranding veroorzaken.
- Gebruikte olie die voedselresten kan bevatten, kan brand veroorzaken bij een lagere temperatuur dan olie die voor de eerste keer wordt gebruikt.
- Plaats geen ontvlambare producten of artikelen die vochtig zijn met ontvlambare producten in, bij of op het apparaat.



### WAARSCHUWING!

Risico op schade aan het apparaat.

- Zet geen heet kookgerei op het bedieningspaneel.
- Leg geen hete deksel op het glazen oppervlak van de kookplaat.
- Laat kookgerei niet droogkoken.
- Laat geen voorwerpen of kookgerei op het apparaat vallen. Het oppervlak kan beschadigen.
- Activeer de kookzones niet met lege pannen of zonder pannen erop.
- Geen aluminiumfolie op het apparaat leggen.
- Pannen van gietijzer, aluminium of met beschadigde bodems kunnen krassen veroorzaken in het glas / glaskeramiek. Til deze voorwerpen altijd op als u ze moet verplaatsen op het kookoppervlak.
- Dit apparaat is uitsluitend bestemd om mee te koken. Het mag niet worden gebruikt voor andere doeleinden, zoals het verwarmen van een kamer.

## 2.4 Onderhoud en reiniging



### WAARSCHUWING!

Verwijder de toetsen, knoppen of pakkingen niet van het bedieningspaneel. Er kan water in het apparaat komen en schade veroorzaken.

- Reinig het apparaat regelmatig om te voorkomen dat het materiaal van het oppervlak achteruitgaat.
- Schakel het apparaat uit en laat het afkoelen voordat u het schoonmaakt.
- Gebruik geen waterstralen en stoom om het apparaat te reinigen.
- Maak het apparaat schoon met een vochtige zachte doek. Gebruik alleen neutrale schoonmaakmiddelen. Gebruik geen schuurmiddelen, schuursponsjes, oplosmiddelen of metalen voorwerpen.

## 2.5 Service

- Neem contact op met de erkende servicedienst voor reparatie van het apparaat. Gebruik alleen originele reserveonderdelen.
- Met betrekking tot de lamp(en) in dit product en reservelampen die afzonderlijk worden verkocht: Deze lampen zijn

bedoeld om bestand te zijn tegen extreme fysieke omstandigheden in huishoudelijke apparaten, zoals temperatuur, trillingen, vochtigheid, of zijn bedoeld om informatie te geven over de operationele status van het apparaat. Ze zijn niet bedoeld voor gebruik in andere toepassingen en zijn niet geschikt voor verlichting in huishoudelijke ruimten.

## 2.6 Verwijdering



### WAARSCHUWING!

Gevaar voor letsel of verstikking.

- Neem contact op met uw plaatselijke overheid voor informatie over het afvoeren van het apparaat.
- Haal de stekker uit het stopcontact.
- Snijd het netsnoer vlak bij het apparaat af en gooi het weg.

# 3. INSTALLATIE



### WAARSCHUWING!

Raadpleeg de hoofdstukken Veiligheid.

## 3.1 Voor montage

Voordat u de kookplaat installeert, dient u de onderstaande informatie van het typeplaatje te noteren. Het typeplaatje bevindt zich onderop de kookplaat.

Model .....  
 Productnummer  
 (PNC) .....  
 Serienummer .....

## 3.2 Ingebouwde kookplaten

Inbouwkookplaten mogen alleen worden gebruikt nadat zij ingebouwd zijn in geschikte inbouwunits of werkbladen die aan de normen voldoen.

## 3.3 Aansluitkabel

- De kookplaat wordt geleverd met een aansluitkabel.
- Voor het vervangen van een beschadigde voedingskabel, gebruik je het kabeltype:

H05V2V2-F dat een temperatuur van 90°C of hoger weerstaat. Neem contact op met een erkend servicecentrum. Het aansluitsnoer mag alleen worden vervangen door een gekwalificeerde elektricien.

## 3.4 De afdichting bevestigen - Installatie aan bovenkant

1. Reinig het werkblad rond de plek waar het gat moet worden uitgezaagd.
2. Bevestig de meegeleverde afdichtstrip van 2 x 6 mm tegen de onderrand van de kookplaat langs de buitenrand van de keramische plaat. Rek de afdichtstrip niet uit. Zorg dat de uiteinden van de afdichtstrip zich in het midden van een van de zijden van de kookplaat bevinden.
3. Tel een paar millimeter bij de af te knippen lengte van de afdichtstrip.
4. Duw de twee uiteinden van de afdichtstrip samen.

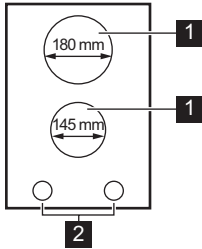
## 3.5 Montage

Als je de kookplaat onder een kap installeert, raadpleeg je de installatie-instructies van de



## 4. BESCHRIJVING VAN HET PRODUCT

### 4.1 Indeling kookoppervlak



- 1** Kookzone
- 2** Bedieningsknoppen

### 4.2 Bedieningsknop

Symbol	Functie
0	Uit-positie
1 - 6	Warmte-instellingen

### 4.3 Restwarmte



#### **WAARSCHUWING!**

Er bestaat verbrandingsgevaar door restwarmte.

## 5. DAGELIJKS GEBRUIK



#### **WAARSCHUWING!**

Raadpleeg de hoofdstukken Veiligheid.

uit te schakelen, draai de knop naar stand uit.

### 5.1 De kookstand

Draai de knop naar de juiste kookstand om de kookstand in te stellen of te wijzigen. Om

## 6. AANWIJZINGEN EN TIPS



#### **WAARSCHUWING!**

Raadpleeg de hoofdstukken Veiligheid.

### 6.1 Pannen

- De bodem van de pannen moet zo dik en vlak mogelijk zijn.



- Zorg ervoor dat bodems schoon en droog zijn voordat de pannen op de kookplaat worden gezet.
- Schuif of wrijf de pan niet over het keramische glas, om krassen te voorkomen.



Pannen gemaakt van geëmailleerd staal of met aluminium of koperen bodems kunnen tot verkleuringen van de glazen keramische kookplaat leiden.

## 6.2 Voorbeelden van kooktoepassingen

### Verwar- Toepassing: mings- stand:

1 Warm houden

### Verwar- Toepassing: mings- stand:

2	Zachtjes sudderen
3	Sudderen
4	Frituren/gratineren
5	Aan de kook brengen
6	Aan de kook brengen / snel frituren / heet frituren

## 7. ONDERHOUD EN REINIGING



### WAARSCHUWING!

Raadpleeg de hoofdstukken Veiligheid.

### 7.1 Algemene informatie

- Reinig de kookplaat na elk gebruik.
- Gebruik altijd kookgerei met een schone bodem.
- Krassen of donkere vlekken op het oppervlak hebben geen invloed op de werking van de kookplaat.
- Gebruik een specifiek schoonmaakmiddel voor het oppervlak van de kookplaat.
- Gebruik een speciale schraper voor het glas.



Het wordt niet aanbevolen om de knoppen te verwijderen.

### 7.2 De kookplaat schoonmaken

- **Verwijder direct:** gesmolten kunststof, plastic folie, suiker en suikerhoudend

voedsel, anders kan dit schade aan de kookplaat veroorzaken. Doe voorzichtig om brandwonden te voorkomen. Gebruik de speciale schraper op de glazen plaat en verwijder resten door het blad over het oppervlak te schuiven.

- **Verwijder nadat de kookplaat voldoende is afgekoeld:** kalk- en waterkringen, vetspatten en metaalachtig glanzende verkleuringen. Reinig de kookplaat met een vochtige doek en een beetje niet-schurend reinigingsmiddel. Droog de kookplaat na reiniging af met een zachte doek.
- **Verkleuring glanzende metalen verwijderen:** reinig het glazen oppervlak met een doek en een oplossing van water met azijn.

## 8. PROBLEEMOPLOSSING



### WAARSCHUWING!

Raadpleeg de hoofdstukken  
Veiligheid.

### 8.1 Wat moet je doen als ...

Probleem	Mogelijke oorzaak	Oplossing
Je kunt de kookplaat niet inschakelen of bedienen.	De kookplaat is niet aangesloten op een stopcontact of niet goed geïnstalleerd.	Controleer of de kookplaat goed aangesloten is op het lichtnet.
	De zekering is doorgeslagen.	Verzeker je ervan dat de zekering de oorzaak van de storing is. Als de zekeringen keer op keer doorslaan, neem je contact op met een erkende installateur.

### 8.2 Als je geen oplossing kunt vinden...

Als je niet zelf het probleem kunt verhelpen, neem dan contact op met je verkoper of een erkende serviceafdeling. Geef de gegevens op het typeplaatje. Geef ook de driecijferige code voor het glaskeramiek (bevindt zich in

de hoek van het glazen oppervlak). Zorg ervoor dat je de kookplaat correct gebruikt. Als dit niet het geval is, is het onderhoud van een servicemonteur of dealer niet gratis, ook tijdens de garantieperiode. De informatie over garantieperiode en geautoriseerde servicecentra vind je in het garantieboekje.

## 9. TECHNISCHE GEGEVENS

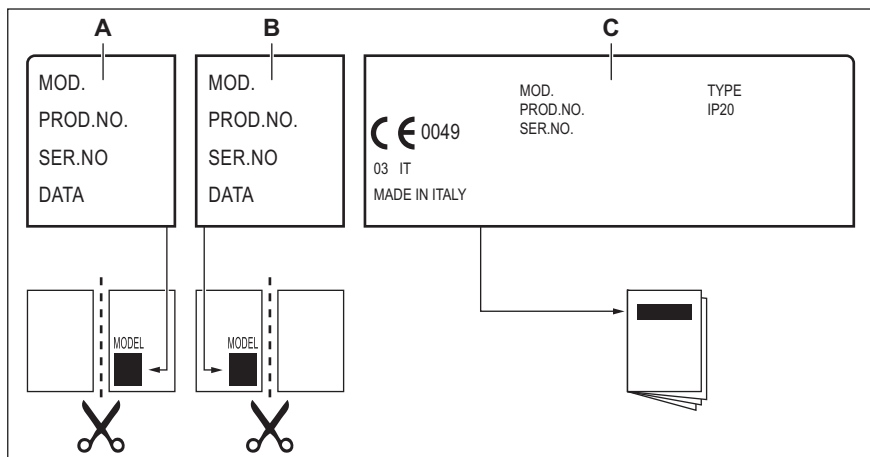
### 9.1 Specificatie kookzones

Kookzone	Nominaal vermogen (max warmteinstelling) [W]	Diameter van de kookzone [mm]
Middenvoor	1200	145
Middenachter	1700	180

Gebruik voor optimale kookresultaten kookgerei dat niet groter is dan de diameter van de kookzone.

## 9.2 Labels meegeleverd in de zak met accessoires

Bevestig de stickers zoals hieronder weergegeven:



- A. Plak het op de garantiekaart en verstuur dit deel (indien van toepassing).
- B. Plak het op de garantiekaart en bewaar dit deel (indien van toepassing).

- C. Plak het op het instructieboekje.

## 10. ENERGIEZUINIGHEID

### 10.1 Productinformatie

Modelnummer	EHF3920BOK	
Type kookplaat	Inbouwkookplaat	
Aantal kookzones	2	
Verwarmingstechnologie	Stralingsverwarmer	
Diameter van ronde kookzones (Ø)	Middenvoor	14,5 cm
	Middenachter	18,0 cm
Energieverbruik per kookzone (EC electric cooking)	Middenvoor	194,9 Wh / kg
	Middenachter	194,9 Wh / kg
Energieverbruik van de kookplaat (EC electric hob)	194,9 Wh / kg	

\* Voor Europese Unie volgens EU 66/2014. Voor Belarus volgens STB 2477-2017, Annex A. Voor Oekraïne volgens 742/2019.

## 10.2 Energiebesparing

U kunt elke dag energie besparen tijdens het koken door de onderstaande tips te volgen.

- Warm alleen de hoeveelheid water op die u nodig heeft.
  - Doe indien mogelijk altijd een deksel op de pan.
  - Zet uw kookgerei op de kookzone voordat u deze activeert.
- De bodem van het kookgerei moet dezelfde afmeting hebben als de kookzone.
  - Zet kleiner kookgerei op kleinere kookzones.
  - Plaats het kookgerei precies in het midden van de kookzone.
  - Gebruik de restwarmte om het eten warm te houden of te smelten.

## 11. MILIEUBESCHERMING

Recycleer de materialen met het symbool



Gooi de verpakking in een geschikte afvalcontainer om het te recycleren. Bescherm het milieu en de volksgezondheid en recycleer op een correcte manier het afval van elektrische en elektronische apparaten.

Gooi apparaten gemarkeerd met het symbool



niet weg met het huishoudelijk afval. Breng het product naar het milieustation bij u in de buurt of neem contact op met de gemeente.

## ESTAMOS A PENSAR EM SI

Obrigado por ter adquirido um aparelho Electrolux. Escolheu um produto que traz com ele décadas de experiência profissional e inovação. Engenhoso e elegante, foi concebido a pensar em si. Assim, quando o utilizar, terá a tranquilidade de saber que obterá sempre ótimos resultados.

Bem-vindo(a) à Electrolux.

**Visite o nosso site para:**



Obter conselhos de utilização, folhetos, resolução de problemas e informações sobre assistência e reparações:

**[www.electrolux.com/support](http://www.electrolux.com/support)**



Registe o seu produto para beneficiar de um serviço melhor:

**[www.registerelectrolux.com](http://www.registerelectrolux.com)**



Adquira acessórios, consumíveis e peças de substituição originais para o seu aparelho:

**[www.electrolux.com/shop](http://www.electrolux.com/shop)**

## APOIO AO CLIENTE E ASSISTÊNCIA

Usar sempre peças sobressalentes de origem.

Sempre que contactar o nosso Centro de Assistência Técnica Autorizado, assegure que tem disponíveis os dados seguintes: Modelo, PNC, Número de série.

Esta informação encontra-se na placa de identificação.

 **Aviso/Cuidado** – Informações de segurança

 **Informações gerais e sugestões**

 **Informações ambientais**

Sujeito a alterações sem aviso prévio.

## ÍNDICE

1. INFORMAÇÕES DE SEGURANÇA.....	61
2. INSTRUÇÕES DE SEGURANÇA.....	64
3. INSTALAÇÃO.....	66
4. DESCRIÇÃO DO PRODUTO.....	68
5. UTILIZAÇÃO DIÁRIA.....	68
6. SUGESTÕES E DICAS.....	68
7. MANUTENÇÃO E LIMPEZA.....	69
8. RESOLUÇÃO DE PROBLEMAS.....	70
9. DADOS TÉCNICOS.....	70
10. EFICIÊNCIA ENERGÉTICA.....	71
11. PREOCUPAÇÕES AMBIENTAIS.....	72

## 1. INFORMAÇÕES DE SEGURANÇA

Leia atentamente as instruções fornecidas antes de instalar e utilizar o aparelho. O fabricante não poderá ser

responsabilizado por ferimentos ou danos resultantes de instalação incorreta ou utilização incorreta. Guarde sempre as instruções num sítio seguro e acessível para consultar no futuro.

## **1.1 Segurança de crianças e pessoas vulneráveis**

- Este aparelho pode ser utilizado por crianças com 8 anos de idade ou mais velhas e por pessoas com capacidades físicas, sensoriais ou mentais reduzidas ou falta de experiência e conhecimento se forem supervisionadas ou instruídas no que respeita à utilização do aparelho de uma forma segura e compreenderem os perigos envolvidos. É necessário manter as crianças com menos de 8 anos de idade e pessoas com incapacidades muito extensas e complexas afastadas do aparelho, a menos que sejam constantemente vigiadas.
- As crianças devem ser vigiadas para garantir que não brincam com o aparelho.
- Mantenha todos os materiais de embalagem fora do alcance das crianças e elimine-os de forma apropriada.
- AVISO: Mantenha as crianças e os animais domésticos afastados do forno quando este estiver a funcionar ou a arrefecer. As partes acessíveis ficam quentes durante a utilização.
- Se o aparelho tiver um dispositivo de segurança para crianças, recomendamos que o ative.
- A limpeza e a manutenção básica do aparelho não devem ser efetuadas por crianças sem supervisão.

## **1.2 Segurança geral**

- AVISO: O forno e as partes acessíveis ficam quentes durante a utilização. Deve ter cuidado para evitar tocar nas resistências de aquecimento.
- AVISO: Deixar cozinhados com gorduras ou óleos num aparelho sem vigilância pode ser perigoso e resultar em incêndio.

- NUNCA tente extinguir um incêndio com água. Em vez disso, desligue o aparelho e cubra as chamas, por exemplo, com uma tampa de tacho ou uma manta de incêndio.
- AVISO: O aparelho não pode ser alimentado através de algum dispositivo de comutação externo, como um temporizador, nem pode ser ligado a um circuito que seja ligado e desligado regularmente pelo fornecedor de eletricidade.
- CUIDADO: O processo de cozedura tem de ser supervisionado. Um processo de cozedura de curta duração tem de ser supervisionado continuamente.
- AVISO: Perigo de incêndio: Não coloque objetos sobre as zonas de aquecimento.
- Os objetos metálicos como facas, garfos, colheres e tampas de tacho não devem ser colocados na superfície da placa porque podem ficar quentes.
- Não utilize o aparelho antes de o instalar na estrutura de encastre.
- Não utilize um aparelho de limpeza a vapor para limpar o aparelho.
- Se a superfície de vitrocerâmica/vidro apresentar alguma fenda, desative o aparelho e desligue a ficha da tomada elétrica. Se o aparelho estiver ligado à rede elétrica diretamente numa caixa de derivação, desligue o disjuntor no quadro elétrico para desligar o aparelho da alimentação elétrica. Em todo o caso, contacte o Centro de Assistência Técnica Autorizado.
- Se o cabo de alimentação estiver danificado, deve ser substituído pelo fabricante, por um agente de assistência autorizado ou por uma pessoa igualmente qualificada, para evitar perigos.
- AVISO: Utilize apenas proteções de placa que tenham sido concebidas pelo fabricante do aparelho de cozinhar ou recomendadas pelo fabricante do aparelho nas instruções de utilização, bem como as proteções de placa já

incorporadas no aparelho caso existam. A utilização de proteções impróprias pode causar acidentes.

## 2. INSTRUÇÕES DE SEGURANÇA

### 2.1 Instalação

**AVISO!**

A instalação deste aparelho tem de ser efectuada por uma pessoa qualificada.

**AVISO!**

Risco de ferimentos ou danos no aparelho.

- Retire a embalagem toda.
- Não instale nem utilize o aparelho se estiver danificado.
- Siga as instruções de instalação fornecidas com o aparelho.
- Respeite as distâncias mínimas relativamente a outros aparelhos e unidades.
- Tenha sempre cuidado quando deslocar o aparelho porque ele é pesado. Utilize sempre luvas de protecção e calçado fechado.
- Vede as superfícies cortadas com um vedante para impedir que a humidade cause dilatações.
- Proteja a parte inferior do aparelho contra o vapor e a humidade.
- Não instale o aparelho perto de uma porta ou por baixo de uma janela. Tal evita que a abertura de portas ou janelas faça cair algum tacho quente do aparelho.
- Se o aparelho for instalado por cima de gavetas, certifique-se de que o espaço entre o fundo do aparelho e a gaveta superior é suficiente para permitir a circulação de ar.
- A parte inferior do aparelho pode ficar quente. É necessário instalar um painel de separação feito de contraplacado, material de armário de cozinha ou outro material não inflamável debaixo do aparelho para evitar o acesso à parte inferior.
- O painel de separação tem de cobrir completamente a área sob a placa.

### 2.2 Ligação eléctrica

**AVISO!**

Risco de incêndio e choque eléctrico.

- Todas as ligações eléctricas devem ser efectuadas por um electricista qualificado.
- O aparelho tem de ficar ligado à terra.
- Antes de efectuar qualquer operação de manutenção, certifique-se de que o aparelho está desligado da corrente eléctrica.
- Certifique-se de que os parâmetros indicados na placa de características são compatíveis com as características da alimentação eléctrica.
- Certifique-se de que o aparelho é instalado correctamente. Ligações de cabo de alimentação e ficha (se aplicável) soltas ou incorrectas podem provocar o sobreaquecimento dos terminais.
- Utilize um cabo de alimentação eléctrica adequado.
- Não permita que o cabo de alimentação fique enredado.
- Certifique-se de que a protecção contra choque é instalada.
- Utilize a abraçadeira de fixação para libertar tensão do cabo.
- Não permita que o cabo e a ficha de alimentação (se aplicável) entrem em contacto com partes quentes do aparelho ou com algum tacho quente quando ligar o aparelho a uma tomada próxima.
- Não utilize adaptadores de tomadas duplas ou triplas, nem cabos de extensão.
- Certifique-se de que não causa danos na ficha (se aplicável) e no cabo de alimentação. Contacte um Centro de Assistência Técnica Autorizado ou um electricista para substituir o cabo de alimentação se estiver danificado.
- As protecções contra choques eléctricos das peças isoladas e não isoladas devem estar fixas de modo a não poderem ser retiradas sem ferramentas.



- Ligue a ficha à tomada eléctrica apenas no final da instalação. Certifique-se de que a ficha fica acessível após a instalação.
- Se a tomada eléctrica estiver solta, não ligue a ficha.
- Não puxe o cabo de alimentação para desligar o aparelho. Puxe sempre a ficha.
- disjuntores de protecção, fusíveis (os fusíveis de rosca devem ser retirados do suporte), diferenciais e contactores.
- A instalação eléctrica deve possuir um dispositivo de isolamento que lhe permita desligar o aparelho da corrente eléctrica em todos os pólos. O dispositivo de isolamento deve ter uma abertura de contacto com uma largura mínima de 3 mm.

### 2.3 Utilização



#### **AVISO!**

Risco de ferimentos, queimaduras e choque elétrico.

- Retire todo o material de embalagem, etiquetas e película protetora (se aplicável) antes da primeira utilização.
- Este aparelho destina-se apenas a uso doméstico (interior).
- Não altere as especificações deste aparelho.
- Certifique-se de que as aberturas de ventilação não ficam obstruídas.
- Não deixe o aparelho sem vigilância durante o funcionamento.
- Desligue a zona de aquecimento após cada utilização.
- Não coloque talheres ou tampas de panelas sobre as zonas de aquecimento. Podem ficar quentes.
- Não utilize o aparelho com as mãos molhadas ou quando ele estiver em contacto com água.
- Não utilize o aparelho como superfície de trabalho ou armazenamento.
- Se a superfície do aparelho apresentar fendas, desligue-o imediatamente da corrente eléctrica. Isto evita choque eléctrico.
- Quando coloca alimentos em óleo quente, o óleo pode salpicar.



#### **AVISO!**

Risco de incêndio e explosão

- As gorduras e os óleos podem libertar vapores inflamáveis quando aquecidos. Mantenha as chamas e os objetos quentes afastados das gorduras e dos óleos quando cozinhar com eles.
- Os vapores libertados pelo óleo muito quente podem causar combustão espontânea.
- O óleo usado, que pode conter restos de alimentos, pode causar incêndio a uma temperatura inferior à do óleo utilizado pela primeira vez.
- Não coloque produtos inflamáveis, nem objetos molhados com produtos inflamáveis, no interior, perto ou em cima do aparelho.



#### **AVISO!**

Risco de danos no aparelho.

- Não coloque nenhum tacho quente sobre o painel de comandos.
- Não coloque uma tampa de panela quente na superfície de vidro da placa.
- Não deixe que os tachos fervam até ficarem sem água.
- Tenha cuidado e não permita que algum objeto ou tacho caia sobre o aparelho. A superfície pode ficar danificada.
- Não ative zonas de aquecimento com um tacho vazio ou sem tacho.
- Não coloque folha de alumínio no aparelho.
- Os tachos de ferro fundido ou alumínio ou que tenham a base danificada podem riscar o vidro ou a vitrocerâmica. Levante sempre estes objetos quando precisar de os deslocar sobre a placa.
- Este aparelho serve apenas para cozinhar. Não pode ser usado para outras funções como, por exemplo, aquecimento de divisões.

## 2.4 Manutenção e limpeza



### AVISO!

Não remova os botões, selectores ou juntas do painel de comandos. Se o fizer, poderá entrar água no aparelho e causar danos.

- Limpe o aparelho com regularidade para evitar que o material da superfície se deteriore.
- Antes de limpar o aparelho, desligue-o e deixe-o arrefecer
- Não utilize jatos de água ou vapor para limpar o aparelho.
- Limpe o aparelho com um pano macio e húmido. Utilize apenas detergentes neutros. Não utilize produtos abrasivos, esfregões, solventes ou objetos metálicos.

## 2.5 Assistência Técnica

- Contacte o Centro de Assistência Técnica Autorizado se for necessário reparar o aparelho. Utilize apenas peças sobressalentes originais.

- Relativamente à(s) lâmpada(s) no interior deste produto e às lâmpadas sobressalentes vendidas separadamente: Estas lâmpadas destinam-se a suportar condições físicas extremas em eletrodomésticos, tais como temperatura, vibração, humidade, ou destinam-se a sinalizar informação relativamente ao estado operacional do aparelho. Não se destinam a ser utilizadas em outras aplicações e não se adequam à iluminação de espaços domésticos.

## 2.6 Eliminação



### AVISO!

Risco de ferimentos ou asfixia.

- Contacte a sua autoridade municipal para saber como descartar o aparelho corretamente.
- Desligue o aparelho da alimentação eléctrica.
- Corte o cabo de alimentação eléctrica do aparelho e elimine-o.

# 3. INSTALAÇÃO



### AVISO!

Consulte os capítulos relativos à segurança.

## 3.1 Antes da instalação

Antes de instalar a placa, anote aqui as seguintes informações que pode ver na placa de características. A placa de características encontra-se na parte inferior da placa.

Modelo .....  
PNC .....  
Número de série .....

## 3.2 Placas encastradas

Utilize as placas de encastrar apenas após a sua montagem em móveis de encastramento em superfícies de trabalho que cumpram as normas aplicáveis.

## 3.3 Cabo de ligação

- A placa é fornecida com um cabo de ligação.
- Para substituir o cabo de alimentação, se estiver danificado, utilize um cabo do tipo: H05V2V2-F que suporta temperaturas de 90 °C ou superiores. Contacte um Centro de Assistência Técnica Autorizado. O cabo de ligação só deve ser substituído por um electricista qualificado.

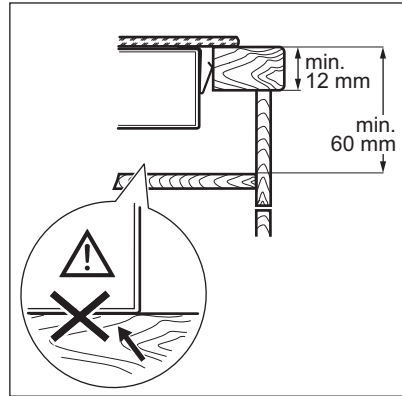
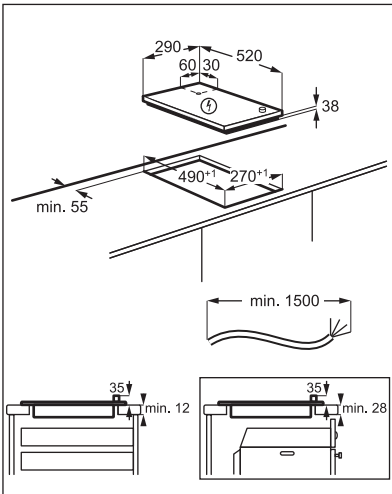
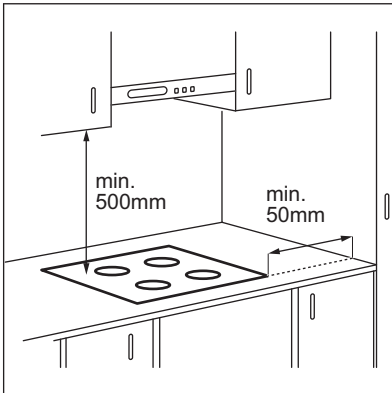
## 3.4 Fixar o vedante - Instalação sobre o balcão

1. Limpe o balcão na zona da área cortada.
2. Fixe a tira vedante de 2x6 mm fornecida na parte inferior da placa, ao longo das extremidades da vitrocerâmica. Não estique a tira. Faça com que as extremidades da tira vedante fiquem no meio de um dos lados da placa.

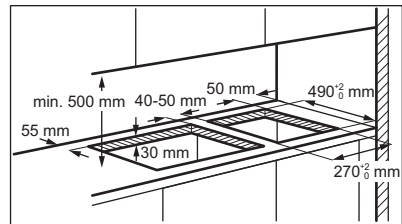
3. Adicione alguns milímetros ao comprimento quando cortar a tira vedante.
4. Junte as duas extremidades da tira vedante.

### 3.5 Montagem

Se instalar a placa debaixo de um exaustor, consulte as instruções de instalação do exaustor, para saber qual é a distância mínima entre os aparelhos.



### 3.6 Instalação de mais de uma placa



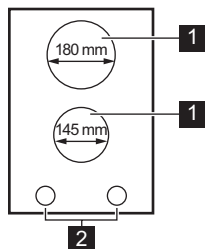
[www.youtube.com/electrolux](http://www.youtube.com/electrolux)  
[www.youtube.com/aeg](http://www.youtube.com/aeg)

How to install your Electrolux  
Domino Hob - Worktop installation



## 4. DESCRIÇÃO DO PRODUTO

### 4.1 Disposição da superfície de confeção



- 1 Zona de aquecimento
- 2 Botões de comando

### 4.2 Botão de controlo

Símbolo	Função
0	Posição desligado
1 - 6	Graus de cozedura

### 4.3 Aquecimento residual



#### AVISO!

O calor residual pode provocar queimaduras.

## 5. UTILIZAÇÃO DIÁRIA



#### AVISO!

Consulte os capítulos relativos à segurança.

que desejar. Para desactivar, rode o botão para a posição Off (desligado).

### 5.1 Grau de cozedura

Para definir ou alterar o grau de cozedura, basta rodar o botão para o grau de cozedura

## 6. SUGESTÕES E DICAS



#### AVISO!

Consulte os capítulos relativos à segurança.

### 6.1 Tachos

- A base do tacho deve ser o mais espessa e plana possível.

- Certifique-se de que os fundos estão limpos e secos antes de os colocar na superfície da placa.
- Para evitar riscos, não deslize ou esfregue o recipiente no vidro cerâmico.



Os tachos feitos de aço esmaltado ou que tenham fundos de alumínio ou cobre poderão causar uma alteração de cor na superfície de vitrocerâmica.

## 6.2 Exemplos de aplicações de cozedura

**Confi-  
gura-  
ção de  
aqueci-  
mento:**

1 Manter quente

**Confi-  
gura-  
ção de  
aqueci-  
mento:**

2	Lume muito brando
3	Lume brando
4	Fritar / alourar
5	Levar à fervura
6	Levar à fervura / fritura rápida / fritura profunda

## 7. MANUTENÇÃO E LIMPEZA



### AVISO!

Consulte os capítulos relativos à segurança.

### 7.1 Informações gerais

- Limpe a placa após cada utilização.
- Utilize sempre o acessório com a base limpa.
- Riscos ou manchas escuras na superfície não afetam o funcionamento da placa.
- Utilize um produto de limpeza especial adequado para a superfície da placa.
- Utilize um raspador especial para o vidro.



Não é recomendável remover os botões.

### 7.2 Limpeza da placa

- **Remover imediatamente:** plástico derretido, película de plástico, açúcar e

alimentos com açúcar; caso contrário, a sujidade pode provocar danos na placa. Tenha cuidado para evitar queimaduras. Utilize um raspador especial para placas sobre a superfície de vidro em ângulo agudo e desloque a lâmina sobre a superfície.

- **Remover quando a placa tiver arrefecido o suficiente:** manchas de calcário, água ou gordura e descolorações nas partes metálicas brilhantes. Limpe a placa com um pano húmido e um detergente não abrasivo. Após a limpeza, seque a placa com um pano macio.
- **Remover a descoloração metálica brilhante:** utilize uma solução de água com vinagre e limpe a superfície de vidro com um pano.

## 8. RESOLUÇÃO DE PROBLEMAS



### AVISO!

Consulte os capítulos relativos à segurança.

### 8.1 O que fazer se...

Problema	Causa possível	Solução
Não consegue ativar ou utilizar a placa.	A placa não está ligada à corrente elétrica ou não está corretamente ligada.	Verifique se a placa está corretamente ligada à corrente elétrica.
	O fusível está fundido.	Certifique-se de que o fusível é a causa da anomalia. Se o fusível se fundir diversas vezes, contacte um electricista qualificado.

### 8.2 Se não conseguir encontrar uma solução...

Se não conseguir encontrar uma solução para o problema, contacte o seu fornecedor ou um Centro de Assistência Técnica Autorizado. Indique os dados da placa de características. Indique também o código de três letras da placa vitrocerâmica (no canto da superfície de vidro). Certifique-se de que

utilizou a placa corretamente. Caso contrário, a manutenção efetuada pelo Técnico de Assistência ou pelo fornecedor não será gratuita, mesmo durante o período de garantia. As informações relativas ao período de garantia e aos Centros de Assistência Técnica Autorizados encontram-se no folheto de garantia.

## 9. DADOS TÉCNICOS

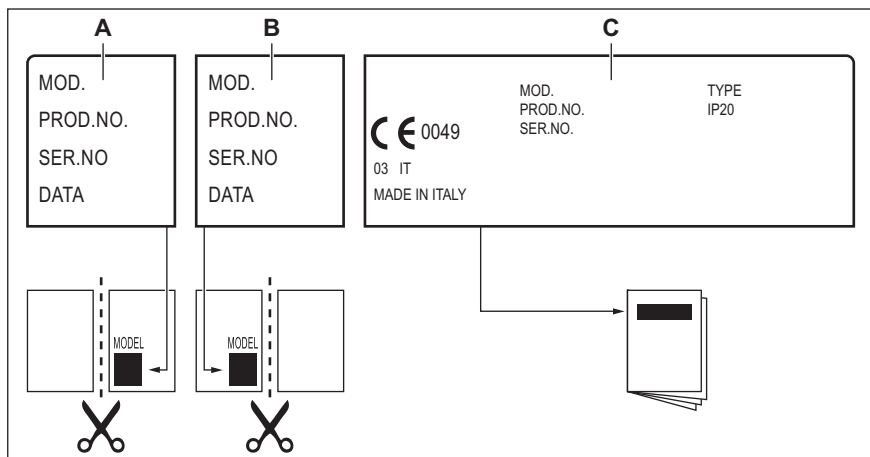
### 9.1 Especificações das zonas de confeção

Zona de cozedura	Potência nominal (grau de cozedura máx.) [W]	Diâmetro da zona de cozedura [mm]
Dianteira central	1200	145
Traseira central	1700	180

Para otimizar a cozedura, utilize um tacho com diâmetro não superior ao da zona de cozedura.

## 9.2 Etiquetas fornecidas no saco de acessórios

Cole as etiquetas adesivas como indicado em baixo:



- A. Cole no Cartão de Garantia e envie esta parte (se aplicável).
- B. Cole no Cartão de Garantia e guarde esta parte (se aplicável).
- C. Cole no manual de instruções.

## 10. EFICIÊNCIA ENERGÉTICA

### 10.1 Informação do produto\*

Identificação do modelo	EHF3920BOK	
Tipo de placa	Placa encastrada	
Número de zonas de cozedura	2	
Tecnologia de aquecimento	Aquecimento radiante	
Diâmetro das zonas de cozedura circulares (Ø)	Dianteira central	14,5 cm
	Traseira central	18,0 cm
Consumo de energia por zona de aquecimento (EC electric cooking)	Dianteira central	194,9 Wh/kg
	Traseira central	194,9 Wh/kg
Consumo de energia da placa (EC electric hob)	194,9 Wh/kg	

\*Para a União Europeia em conformidade com a Diretiva EU 66/2014. Para a Bielorrússia em conformidade com a norma STB 2477-2017, Anexo A. Para Ucrânia, em conformidade com a norma 742/2019.


## 10.2 Poupança de energia


Pode poupar energia todos os dias se adoptar as seguintes sugestões.

- Quando aquecer água, utilize apenas a quantidade necessária.
- Sempre que possível, coloque as tampas nos tachos.
- Coloque o tacho na zona de cozedura antes de a activar.

- O fundo do tacho deve ter o diâmetro igual ao da zona de cozedura.
- Coloque os tachos mais pequenos nas zonas de cozedura mais pequenas.
- Centre o tacho na zona de cozedura.
- Pode utilizar o calor residual para manter os alimentos quentes ou derreter alimentos.

## 11. PREOCUPAÇÕES AMBIENTAIS

Recicle os materiais que apresentem o símbolo . Coloque a embalagem nos contentores indicados para reciclagem. Ajude a proteger o ambiente e a saúde pública através da reciclagem dos aparelhos eléctricos e electrónicos. Não elimine os

aparelhos que tenham o símbolo  juntamente com os resíduos domésticos. Coloque o produto num ponto de recolha para reciclagem local ou contacte as suas autoridades municipais.



## SINUN PARHAAKSESI

Kiitos, kun valitsit Electrolux-laitteen. Olet valinnut tuotteen, joka perustuu vuosikymmenien aikana hankittuun kokemukseen ja innovaatioon. Kekseliäs ja tyylikäs laite, joka on suunniteltu sinua varten. Laitetta käyttäessäsi voit olla aina varma erinomaisista tuloksista.

Tervetuloa Electroluxiin.

### Vieraile verkkosivullamme:



Saat käyttöön liittyviä neuvoja, esitteitä, vianmääritysohjeita sekä huolto- ja korjausohjeita:

[www.electrolux.com/support](http://www.electrolux.com/support)



Rekisteröi tuotteesi saadaksesi parempaa huoltoa:

[www.registerelectrolux.com](http://www.registerelectrolux.com)



Osta laitteeseesi lisävarusteita, kulutustuotteita ja alkuperäisiä varaosia:

[www.electrolux.com/shop](http://www.electrolux.com/shop)

## ASIAKASPALVELU

Käytä aina alkuperäisiä varaosia.

Pidä seuraavat tiedot saatavilla ottaessasi yhteyttä valtuutettuun huoltoliikkeeseemme:

Malli, PNC-tuotenumero, sarjanumero.

Tiedot löytyvät arvokilvestä.

 Varoitus / Varotoimi- ja turvallisuustietoja

 Yleistietoa ja vinkkejä

 Ympäristönsuojelutietoja

Oikeus muutoksiin pidätetään.

## SISÄLTÖ

1. TURVALLISUUSTIEDOT.....	73
2. TURVALLISUUSOHJEET.....	75
3. ASENNUS.....	77
4. TUOTEKUVAUS.....	79
5. PÄIVITTÄINEN KÄYTTÖ.....	79
6. VIHJEITÄ JA NEUVOJA.....	80
7. HOITO JA PUHDISTUS.....	80
8. VIANMÄÄRITYS.....	81
9. TEKNISET TIEDOT.....	81
10. ENERGIATEHOKKUUS.....	82
11. YMPÄRISTÖNSUOJELU.....	83

## 1. TURVALLISUUSTIEDOT

Lue laitteen mukana toimitetut ohjeet ennen laitteen asennusta ja käyttöä. Valmistaja ei ota vastuuta

henkilövahingoista tai vahingoista, jotka aiheutuvat virheellisestä asennuksesta tai käytöstä. Säilytä ohjeita aina varmassa ja helppopääsyisessä paikassa tulevia käyttökertoja varten.

## **1.1 Lasten ja taitamattomien henkilöiden turvallisuus**

- 8-vuotiaat ja sitä vanhemmat lapset sekä henkilöt, joilla on fyysisiä, aisteihin liittyviä tai henkisiä rajoitteita tai puutteellinen kokemus tai tuntemus, voivat käyttää tätä laitetta vain, jos heitä valvotaan tai ohjataan laitteen turvallisessa käytössä ja jos he ymmärtävät käyttöön liittyvät vaarat. Tuote on pidettävä alle 8-vuotiaiden lasten ja erittäin laajoista ja monimutkaisista toiminnallisista rajoitteista kärsivien henkilöiden ulottumattomissa, ellei heitä valvota jatkuvasti.
- Lapsia on valvottava, jotta he eivät ryhdy leikkimään laitteella.
- Kaikki pakkaukset tulee pitää lasten ulottumattomissa ja hävittää asianmukaisesti.
- VAROITUS: Pidä lapset ja lemmikkieläimet pois uunin lähetyviltä sen ollessa toiminnassa tai jäähtymässä käytön jälkeen. Laitteen esillä olevat osat kuumentuvat käytön aikana.
- Jos laitteessa on lapsilukko, sitä on käytettävä.
- Lapset eivät saa puhdistaa laitetta tai suorittaa siihen kohdistuvia käyttäjän huoltotoimenpiteitä ilman valvontaa.

## **1.2 Yleiset turvallisuusohjeet**

- VAROITUS: Uuni ja sen esilläolevat osat kuumentuvat käytön aikana. Varo koskettamasta uunin lämmitysvastuksia.
- VAROITUS: Rasvalla tai öljyllä kypsentaminen ilman valvontaa voi olla vaarallista, ja se voi aiheuttaa tulipalon.
- Älä KOSKAAN yritä sammuttaa tulta vedellä, vaan kytke laite pois toiminnasta ja peitä sitten liekit esimerkiksi kannella tai sammutuspeitteellä.

- **VAROITUS:** Laitteeseen ei saa liittää ulkoista kytkintä, kuten ajastinta, eikä sitä saa liittää virtapiiriin, jonka sähkölaitos säännöllisin väliajoin kytkee päälle/pois päältä.
- **HUOMIO:** Ruoan kypsymistä tulee valvoa jatkuvasti. Lyhyen jakson ruoan kypsymistä tulee valvoa jatkuvasti.
- **VAROITUS:** Tulipalon vaara: Älä säilytä esineitä keittotason pinnoilla.
- Metalliesineitä, kuten veitsiä, haarukoita, lusikoita ja kansia ei saa asettaa keittotason pinnalle, koska ne voivat kuumentua.
- Älä käytä laitetta ennen kuin se on asennettu kalusteeseen.
- Laitteen puhdistuksessa ei saa käyttää höyrupesuria.
- Jos keraaminen/lasipinta on vaurioitunut, katkaise virta laitteesta ja irrota pistoke pistorasiasta. Jos laite on liitetty sähköverkkoon suoraan kytkentäkoteloa käyttäen, irrota sulake virran katkaisemiseksi laitteesta. Ota yhteyttä valtuutettuun huoltopalveluun kummassakin tapauksessa.
- Jos virtajohto vaurioituu, sen saa vaaratilanteiden välttämiseksi vaihtaa vain valmistaja, valtuutettu huoltoliike tai vastaava ammattitaitoinen henkilö.
- **VAROITUS:** Käytä ainoastaan kodinkoneen valmistajan suunnittelemaa keittotason suoja, laitteen valmistajan käyttöohjeessa määritetyjä suoja tai keittotason mukana toimitettuja suoja. Virheellisten suojien käyttö voi aiheuttaa onnettomuuksia.

## 2. TURVALLISUUSOHJEET

### 2.1 Asennus



#### **VAROITUS!**

Asennuksen saa suorittaa vain ammattitaitoinen henkilö.



#### **VAROITUS!**

Virheellinen käyttö voi aiheuttaa henkilövahinkoja tai laitteen vaurioitumisen.

- Poista kaikki pakkausmateriaalit.

- Vaurioitunutta laitetta ei saa asentaa tai käyttää.
- Noudata koneen mukana toimitettuja asennusohjeita.
- Noudata mainittuja vähimmäisetäisyyksiä muihin laitteisiin ja kalusteisiin.
- Siirrä laitetta aina varoen, sillä se on raskas. Käytä aina suojakäsineitä ja suojaavia jalkineita.
- Tiivistä pinnat tiivistaineella estääksesi kosteuden aiheuttaman turpoamisen.
- Suojaa laitteen alaosa höyryltä ja kosteudelta.

- Älä asenna laitetta oven viereen tai ikkunan alapuolelle. Tällöin keittoastioiden putoaminen laitteesta vältetään oven tai ikkunan avaamisen yhteydessä.
- Jos laite on asennettu laatikoiden yläpuolelle, varmista, että laitteen alaosan ja ylälaatikon välinen tila on riittävä ilmankierron kannalta.
- Laitteen alaosa voi kuumentua. Varmista, että asennat laitteen alapuolelle vanerista, keittiön jäännösmateriaalista tai muusta syttymättömästä materiaalista valmistetun erotuslevyn, joka estää pääsyn laitteen alapuolelle.
- Erotuslevyn tulee peittää keittotason alla oleva alue kokonaan.

## 2.2 Sähköliitännät



### **VAROITUS!**

Tulipalo- ja sähköiskuvaara.

- Kaikki sähkökytkennät tulee jättää asiantuntevan sähköasentajan vastuulle.
- Laite on kytkettävä maadoitettuun pistorasiaan.
- Ennen toimenpiteiden suorittamista tulee varmistaa, että laite on irrotettu sähköverkosta.
- Varmista, että arvokilvessä olevat parametrit ovat verkkovirtalähteen sähköarvojen mukaisia.
- Varmista, että laite on asennettu oikein. Löysät tai vääränlaiset virtajohdot tai pistokkeet (jos olemassa) voivat aiheuttaa liittimen ylikuumentumisen.
- Käytä oikeaa virtajohtoa.
- Varo, ettei virtajohto takerru kiinni mihinkään.
- Varmista, että iskusuojaus on asennettu.
- Käytä kaapelissa vedonpoistajaa.
- Varmista, ettei virtajohto tai pistoke (jos olemassa) kosketa kuumaan laitteeseen tai kuumiin keittoastioihin, kun liität laitteen lähellä oleviin pistorasioihin.
- Älä käytä jakorasioita tai jatkojohtoja.
- Varmista, ettei pistoke (jos olemassa) tai virtajohto vaurioidu. Ota yhteyttä valtuutettuun huoltoliikkeeseemme tai sähköasentajaan vaurioituneen virtajohdon vaihtamiseksi.
- Jännitteenalaisten ja eristettyjen osien suojat tulee asentaa niin, ettei niiden irrotus onnistu ilman työkaluja.

- Kytke pistoke pistorasiaan vasta asennuksen jälkeen. Varmista, että laitteen verkkovirtakytkentä on ulottuvilla laitteen asennuksen jälkeen.
- Jos pistoke on löysästi kiinni virtajohdossa, älä kiinnitä sitä pistorasiaan.
- Älä vedä virtajohdosta pistoketta irrottaessasi. Vedä aina pistokkeesta.
- Käytä vain asianmukaisia eristyslaitteita: suojakytkimet, sulakkeet (ruuvattavat sulakkeet on irrotettava kannasta), vikavirtakytkimet ja kontaktorit.
- Sähköasennuksessa on oltava erotin, joka mahdollistaa laitteen irrottamisen sähköverkosta kaikista navoista. Erottimen kontaktiaukon leveys on oltava vähintään 3 mm.

## 2.3 Käyttö



### **VAROITUS!**

Henkilövahinkojen, palovammojen ja sähköiskujen vaara.

- Poista kaikki pakkausmateriaalit, merkit ja suojakalvot (jos olemassa) ennen käyttöönnottoa.
- Tämä laite on tarkoitettu ainoastaan kotitalouskäyttöön.
- Älä muuta laitteen teknisiä ominaisuuksia.
- Varmista, että tuuletusaukoissa ei ole tukosta.
- Laitetta ei saa jättää päälle valvomatta.
- Kytke keittoalue aina off-asentoon käytön jälkeen.
- Älä aseta ruokavälineitä tai kattiloiden kansia keittoalueille. Ne voivat kuumentua.
- Älä käytä laitetta, jos kätesi ovat märät tai laitteen ollessa kosketuksessa veteen.
- Älä käytä laitetta työtasona tai tavaroiden säilytystasona.
- Jos laitteen pinnassa on säröjä, irrota laite välittömästi virtalähteestä. Näin ehkäistään sähköiskuja.
- Öljy voi roiskua, kun asetat ruoka-aineksia kuumaan öljyyn.



### **VAROITUS!**

Tulipalo- ja räjähdysvaara.

- Kuumentuneesta rasvasta voi syntyä syttyviä höyryjä. Pidä liekit tai kuumat esineet kaukana rasvoista ja öljyistä ruoanvalmistuksen aikana.
- Kuumat höyryt voivat aikaansaada syttymisen.
- Käytetty öljy, joka voi sisältää ruokajäämiä, voi aiheuttaa tulipalon alhaisemmassa lämpötilassa kuin ensimmäistä kertaa käytetty öljy.
- Älä aseta helposti syttyviä tuotteita tai helposti syttävien aineiden kanssa kosketuksissa olleita tuotteita laitteeseen, laitteen päälle tai sen lähelle.



#### **VAROITUS!**

Laite voi muutoin vaurioitua.

- Älä pidä kuumaa keittoastiaa käyttöpaneelin päällä.
- Älä aseta kuumaa keittoastian kantta keittotason lasipinnalle.
- Älä anna keittoastioiden kiehua kuiviin.
- Älä anna esineiden tai keittoastioiden pudota laitteen päälle. Pinta voi vaurioitua.
- Älä kytke keittoalueita toimintaan keittoastian ollessa tyhjä tai ilman keittoastiaa.
- Älä aseta alumiinifoliota laitteen päälle.
- Valuraudasta tai -alumiinista valmistetut tai vaurioituneen pohjan omaavat keittoastiat voivat naarmuttaa lasi- tai keraamista pintaa. Nosta ne aina irti keittotasosta liikuttamisen aikana.
- Tämä laite on tarkoitettu ainoastaan ruoanlaittoon. Sitä ei saa käyttää muihin tarkoituksiin, esimerkiksi huoneen lämmittämiseen.

## 2.4 Hoito ja puhdistus



#### **VAROITUS!**

Painikkeita, nuppeja tai tiivisteitä ei saa irrottaa käyttöpaneelistä. Muutoin laitteen sisälle voi päästä vettä ja laite vaurioitua.

- Puhdista laite säännöllisesti, jotta pintamateriaali pysyisi hyväkuntoisena.
- Kytke virta pois laitteesta ja anna sen jäähtyä, ennen kuin aloitat puhdistuksen.
- Älä suihkuta vettä tai käytä höyryä laitteen puhdistamiseen.
- Puhdista laite kostealla pehmeällä liinalla. Käytä ainoastaan mietoja pesuaineita. Älä käytä hankausainetta, hankaavia pesulappuja, liuottimia tai metalliesineitä.

## 2.5 Huolto

- Laitteen korjaukseen liittyvissä asioissa tulee ottaa yhteyttä valtuutettuun huoltopalveluun. Ainoastaan alkuperäisiä varaosia saa käyttää.
- Lisätietoa tämän tuotteen sisällä olevista lamputa sekä erikseen myytävistä varalampuista: Kyseiset lamput on suunniteltu kestäämään kodinkoneissa vaativia fyysisiä olosuhteita (esim. lämpötila, värinä, kosteus) tai ne antavat tietoa laitteen toimintatilasta. Niitä ei ole tarkoitettu muihin käyttötarkoituksiin eivätkä ne sovi huoneiden valaisemiseen.

## 2.6 Hävittäminen



#### **VAROITUS!**

Henkilövahinko- tai tukehtumisvaara.

- Kysy tietoja laitteen oikeaoppisesta hävittämisestä paikalliselta viranomaiselta.
- Irrota pistoke pistorasiasta.
- Leikkaa virtajohto laitteen läheltä ja hävitä se.

# 3. ASENNUS



#### **VAROITUS!**

Lue turvallisuutta koskevat luvut.

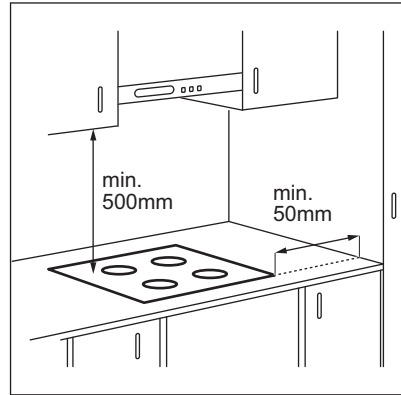
### 3.1 Ennen asentamista

Kirjoita alla olevat tiedot ylös arvokilvestä ennen keittotason asentamista. Arvokilpi sijaitsee keittotason pohjassa.

Malli .....  
Tuotenumero .....  
Sarjanumero .....

### 3.2 Kalusteeseen sijoitettavat keittotasot

Kalusteeseen sijoitettavia keittotasoja saa käyttää vasta, kun ne on asennettu sopiviin, määräystenmukaisiin kalusteisiin ja työtasoihin.

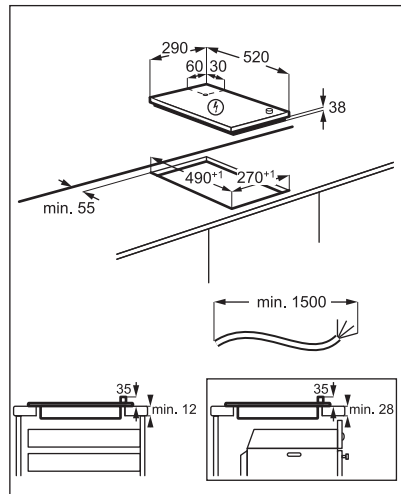


### 3.3 Virtajohto

- Keittotason tehonsyöttö on järjestetty virtajohdolla.
- Käytä vaurioituneen virtajohdon vaihtamiseksi virtajohtotyyppiä: H05V2V2-F joka kestää vähintään 90 °C lämpötilan. Ota yhteyttä valtuutettuun huoltoliikkeeseen. Virtajohdon saa vaihtaa vain sähköasentaja.

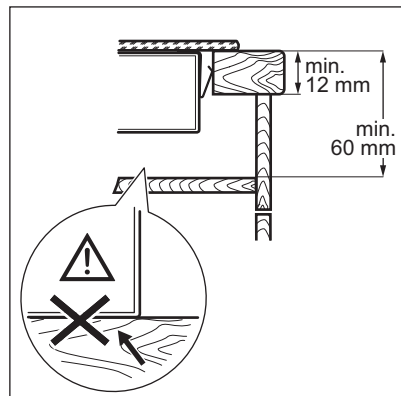
### 3.4 Tiivisteen kiinnittäminen - asennus tason päälle

1. Puhdista työtaso leikkausalueen ympäriltä.
2. Kiinnitä tuotteen mukana toimitettu 2 x 6 mm tiivistenauha keittotason alareunaan lasikeraamisen pinnan ulkoista reunaa pitkin. Älä venytä tiivistettä. Varmista, että tiivistenauhan päät sijaitsevat yhden keittotason sivun keskellä.
3. Lisää pituuteen joitakin millimetrejä, kun leikkaat tiivistenauhaa.
4. Liitä tiivistenauhan päät yhteen.

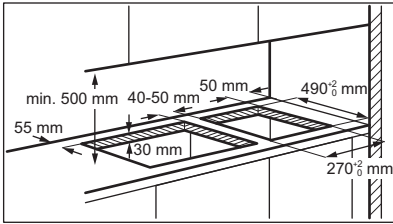


### 3.5 Kokaminen

Jos keittotaso asennetaan liesituulettimen alapuolelle, katso laitteiden välinen vähimmäisetäisyys liesituulettimen asennusohjeista.



### 3.6 Useamman kuin yhden keittotason asennus



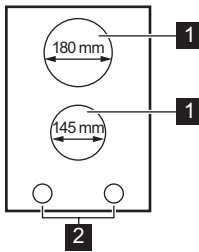
www.youtube.com/electrolux  
www.youtube.com/aeg

How to install your Electrolux  
Domino Hob - Worktop installation



## 4. TUOTEKUVAUS

### 4.1 Keittoaluejärjestely



- 1 Keittoalue
- 2 Vääntimet

### 4.2 Säätonuppi

Symboli	Toiminto
0	Pois päältä -asento
1 - 6	Tehoasetukset

### 4.3 Jälkilämpö



#### **VAROITUS!**

Jälkilämmön vuoksi on olemassa palovammojen vaara.

## 5. PÄIVITTÄINEN KÄYTTÖ



#### **VAROITUS!**

Lue turvallisuutta koskevat luvut.

## 5.1 Tehotaso

Voit asettaa tehotason tai muuttaa sitä kääntämällä vääntimen oikean tehotason

kohdalle. Kytke se pois päältä kääntämällä väännin Off-asentoon.

## 6. VIHJEITÄ JA NEUVOJA



### VAROITUS!

Lue turvallisuutta koskevat luvut.

### 6.1 Ruoanlaittovälineet

- Keittoastian pohjan tulee olla mahdollisimman paksu ja tasainen.
- Varmista, että keittoastioiden pohjat ovat puhtaat ja kuivat ennen niiden asettamista keittotasolle.
- Keittoastioita ei saa liu'uttaa keraamisen lasin pinnalla tai hangata siihen naarmuuntumisen estämiseksi.



Emaloidusta teräksestä valmistetut tai alumiini- tai kuparipohjaiset keittoastiat voivat aiheuttaa värimuutoksia keraamiseen pintaan.

### 6.2 Esimerkkejä uunitoiminnoista

#### Lämmi- Käyttötarkoitus: tyste- hot:

1	Lämpimänä pito
2	Hiljainen haudutus
3	Haudutus
4	Paistaminen / ruskistus
5	Kiehauttaminen
6	Kiehauttaminen / pikapaistaminen / oppopaistaminen

## 7. HOITO JA PUHDISTUS



### VAROITUS!

Lue turvallisuutta koskevat luvut.

### 7.1 Yleistietoa

- Puhdista keittolevy jokaisen käytön jälkeen.
- Tarkista aina, että keittoastian pohja on puhdas.
- Pinnan naarmut tai tummat tahrat eivät vaikuta keittotason toimintaan.
- Käytä keittotason pintaan sopivaa erityistä puhdistusainetta.
- Käytä erityistä lasipinnan käsittelyyn tarkoitettua raaputinta.



Laitteen nuppeja ei suositella irrotettavan.

### 7.2 Keittotason puhdistaminen

- Poista välittömästi:** sulanut muovi, tuorekelmu, sokeri ja sokeripitoinen ruoka.

Muutoin epäpuhtaudet voivat vahingoittaa keittotasoa. Varo palovammoja. Käytä keittotason erityistä kaavinta viistosti lasipintaa vasten ja liikuta kaavinta pintaa pitkin.

- Poista sitten, kun keittotasoa on jäähtynyt riittävästi:** kalkkirenkaat, vesirenkaat, rasvatahrat, kirkaat metalliset värimuutokset. Puhdista keittotasoa kostealla liinalla ja miedolla puhdistusaineella. Pyyhi keittotasoa pehmeällä kuivalla liinalla puhdistuksen jälkeen.
- Poista kirkaat metalliset värimuutokset:** käytä veden ja viinietikan liuosta ja puhdista lasipinta liinalla.



## 8. VIANMÄÄRITYS



### VAROITUS!

Lue turvallisuutta koskevat luvut.

### 8.1 Käyttöhäiriöt...

Ongelma	Mahdollinen syy	Korjaustoimenpide
Keittotaso ei mene päälle eikä sitä voida käyttää.	Keittotasoa ei ole kytketty verkkovirtaan tai se on kytketty väärin.	Tarkista, onko keittotaso kytketty oikein verkkovirtaan.
	Sulake on palanut.	Varmista, että vian syy on sulakkeessa. Jos sulake palaa jatkuvasti, käänny sähköalan ammattilaisen puoleen.

### 8.2 Jos ratkaisua ei löydy...

Jos et itse löydä ratkaisua, ota yhteys jälleenmyyjään tai valtuutettuun huoltopalveluun. Ilmoita laitteen arvokilpeen merkityt tiedot. Anna myös kolminumeroinen kirjainkoodi lasikeramiikalle (lasipinnan kulmassa). Varmista, että olet käyttänyt

keittotasoa oikealla tavalla. Muussa tapauksessa huoltoteknikon tai jälleenmyyjän suorittama huolto ei ole ilmaista takuuaikanakaan. Takuuaikaa ja valtuutettuja huoltokeskuksia koskevat tiedot on ilmoitettu takuukirjassa.

## 9. TEKNISET TIEDOT

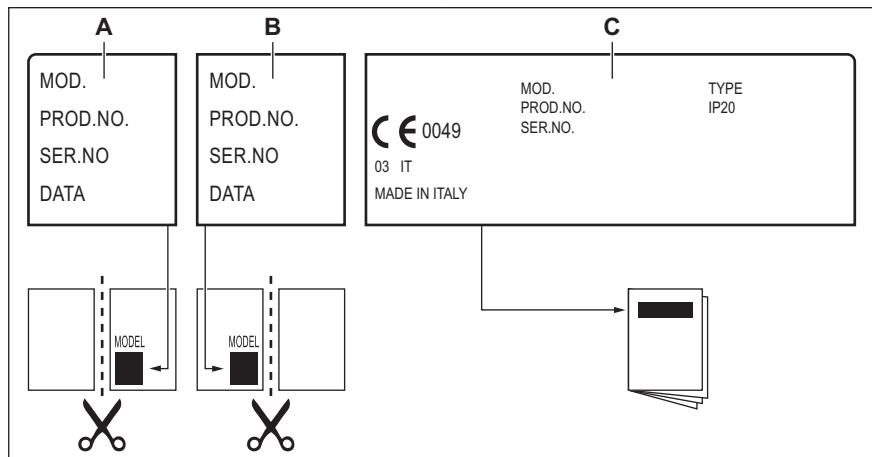
### 9.1 Keittoalueiden määrytykset

Keittoalue	Nimellisteho (suurin tehotaso) [W]	Keittoalueen halkaisija [mm]
Keskellä edessä	1200	145
Keskellä takana	1700	180

Käytä korkeintaan keittoalueen halkaisijan kokoista keittoastiaa optimaalisten tulosten saavuttamiseksi.

## 9.2 Lisävarustepakkauksen mukana toimitetut merkit

Kiinnitä merkit seuraavasti:



- A.** Kiinnitä se takuukorttiin ja lähetä tämä osa (jos soveltuu).  
**B.** Kiinnitä se takuukorttiin ja säilytä tämä osa (jos soveltuu).

- C.** Kiinnitä se ohjekirjaan.

## 10. ENERGIATEHOKKUUS

### 10.1 Tuotetiedot\*

Mallin tunniste	EHF3920BOK	
Keittotason tyyppi	Kalusteeseen asennettava keittotaso	
Keittoalueiden lukumäärä	2	
Kuumennusteknologia	Säteilevä lämmitin	
Ympyränmuotoisten keittoalueiden halkaisija (Ø)	Keskellä edessä	14,5 cm
	Keskellä takana	18,0 cm
Keittoalueen energiankulutus (EC electric cooking)	Keskellä edessä	194,9 Wh/kg
	Keskellä takana	194,9 Wh/kg
Energiankulutus, keittotaso (EC electric hob)	194,9 Wh/kg	

\* Euroopan unionin alueelle noudattaen EU 66/2014. Valko-Venäjälle noudattaen STB 2477-2017, Liite A. Ukrainalle noudattaen 742/2019.

## 10.2 Energiansäästö

Voit säästää energiaa jokapäiväisen ruoanvalmistuksen aikana seuraavia vinkkejä noudattamalla.

- Käytä veden kuumentamisen aikana ainoastaan tarvittavaa vesimäärää.
- Mikäli mahdollista, peitä keittoastia aina kannella.
- Aseta keittoastia keittoalueelle ennen alueen kytkemistä toimintaan.


- Keittoastian pohjan tulee vastata keittoalueen halkaisijaa.
- Aseta pieni keittoastia pienemmälle keittoalueelle.
- Aseta keittoastia suoraan keittoalueen keskelle.
- Käytä jälkilämpöä ruoan pitämiseksi lämpimänä tai ruoan sulattamiseksi.

## 11. YMPÄRISTÖNSUOJELU

Kierrätä materiaalit, jotka on merkitty merkillä



Kierrätä pakkaus laittamalla se asianmukaiseen kierrätysastiaan. Suojele ympäristöä ja ihmisten terveyttä kierrättämällä sähkö- ja elektroniikkaromut.

Älä hävitä merkillä  merkittyjä kodinkoneita kotitalousjätteen mukana. Palauta tuote paikalliseen kierrätyskeskukseen tai ota yhteyttä paikalliseen viranomaiseen.

## VI TENKER PÅ DEG

Takk for at du har kjøpt et produkt fra Electrolux. Du har valgt et produkt som bringer flere tiår med erfaring og innovasjon med seg. Genialt og stilig, og det er designet med tanke på deg. Så uansett når du bruker det, kan du være trygg på at du får gode resultater hver gang.

Velkommen til Electrolux.

**Gå inn på nettsiden vår for å:**



Få råd om bruk, brosjyrer, hjelp til feilsøking, og informasjon om service og reparasjon:

**[www.electrolux.com/support](http://www.electrolux.com/support)**



Registrer produktet for å få bedre service:

**[www.registerelectrolux.com](http://www.registerelectrolux.com)**




Kjøp tilbehør, forbruksvarer og originale reservedeler til apparatet ditt:


**[www.electrolux.com/shop](http://www.electrolux.com/shop)**

## KUNDESTØTTE OG SERVICE

Bruk alltid originale reservedeler.

Når du kontakter vårt autoriserte servicesenter, må du sørge for at du har følgende opplysninger tilgjengelig: Modell, PNC, serienummer. Informasjonen finner du på typeskiltet.

 Advarsel/Forsiktig – Sikkerhetsinformasjon

 Generell informasjon og tips

 Miljøinformasjon

Med forbehold om endringer.

## INNHold

1. SIKKERHETSINFORMASJON.....	84
2. SIKKERHETSANVISNINGER.....	86
3. MONTERING.....	88
4. PRODUKTBEKRIVELSE.....	90
5. DAGLIG BRUK.....	90
6. RÅD OG TIPS.....	91
7. STELL OG RENGJØRING.....	91
8. FEILSØKING.....	92
9. TEKNISKE DATA.....	92
10. ENERGIEFFEKTIV.....	93
11. BESKYTTELSE AV MILJØET.....	94

## 1. SIKKERHETSINFORMASJON

Les medfølgende instruksjoner grundig før du installerer og bruker apparatet. Produsenten er ikke ansvarlig for

personskader eller andre skader som følge av feilaktig montering eller bruk. Hold alltid instruksjonene på et trygt og tilgjengelig sted for fremtidig referanse.

## **1.1 Sikkerhet for barn og utsatte mennesker**

- Dette produktet kan brukes av barn fra 8 år og oppover og personer med reduserte fysiske, sensoriske eller mentale evner eller manglende erfaring og kunnskap, dersom de får tilsyn eller instruksjoner om bruken av produktet på en sikker måte, og forstår farene som er involvert. Barn under 8 år og personer med svært omfattende og komplekse funksjonsnedsettelse må holdes på avstand fra produktet med mindre de er under tilsyn til enhver tid.
- Barn bør være under oppsyn for å sikre at de ikke leker med apparatet.
- Oppbevar all emballasje utilgjengelig for barn og kast den på riktig måte.
- ADVARSEL: Hold barn og kjæledyr borte fra produktet når det er i bruk eller når det avkjøles. Tilgjengelige deler blir varme under bruk.
- Hvis produktet har en barnesikring, bør den aktiveres.
- Rengjøring og vedlikehold av produktet skal ikke utføres av barn.

## **1.2 Generell sikkerhet**

- ADVARSEL: Apparatet og tilgjengelige deler blir varme under bruk. Pass på at du ikke berører varmeelementene.
- ADVARSEL: Matlaging uten tilsyn på en koketopp med fett eller olje kan være farlig og kan resultere i brann.
- DU MÅ ALDRI prøve å slukke en brann med vann, men du må slå av apparatet og deretter dekke til flammer f.eks. med et lokk eller et brannteppe.
- ADVARSEL: Apparatet må ikke tilføres strøm gjennom en ekstern bryterenhet, for eksempel en tidsbryter, eller koples til en krets som regelmessig slås av og på av en annen elektrisk enhet.

- **FORSIKTIG:** Tilberedningsprosessen må gjøres under tilsyn. En kortvarig tilberedningsprosess må overvåkes kontinuerlig.
- **ADVARSEL:** Brannfare: Ikke oppbevar gjenstander på kokeflatene.
- Metallgjenstander som kniver, gafler, skjeer og lokk må ikke legges på kokeflaten – de kan bli varme.
- Bruk ikke apparatet før du installerer det i en innebygget struktur.
- Ikke bruk damprengjøring til å rengjøre apparatet.
- Hvis den glasskeramiske overflaten er sprukket, skal apparatet slås av og kontakten tas ut. Hvis apparatet er koblet til strømmettet direkte ved hjelp av sikringsboksen, fjerner du sikringen for å koble fra apparatet fra strømforsyningen. I begge tilfeller, tar du kontakt med det autoriserte servicesenteret.
- Hvis strømkabelen er skadet, må den kun skiftes av et autorisert serviceverksted eller en lignende kvalifisert person for å unngå fare.
- **ADVARSEL:** Bruk bare koketoppbeskyttelser som produsenten av kokeapparatet enten har utviklet selv eller angitt som egnet for bruk i apparatets bruksanvisning, eller koketoppbeskyttelser som er bygd inn i apparatet. Bruk av feil beskyttelser kan føre til ulykker.

## 2. SIKKERHETSANVISNINGER

### 2.1 Installasjon



#### **ADVARSEL!**

Montering må kun foretas av en kvalifisert person.



#### **ADVARSEL!**

Fare for personskade eller skade på produktet.

- Fjern all emballasje.
- Ikke monter eller bruk et skadet produkt.
- Følg installasjonsanvisningene som følger med produktet.

- Overhold minimumsavstanden fra andre produkter og enheter.
- Vær alltid forsiktig når du flytter produktet. Det er tungt. Bruk alltid vernebriller og lukket fottøy.
- Dekk skårne overflater med tetningsmiddel for å forhindre at fuktighet forårsaker svelling.
- Beskytt apparatets bunn mot damp og fuktighet.
- Monter ikke apparatet ved siden av en dør eller under et vindu. Dette hindrer varme kokekar fra å falle ned fra apparatet når dører eller vinduer er åpne.

- Hvis apparatet er montert over skuffer, sørg for at rommet mellom bunnen av apparatet og den øvre skuffen er tilstrekkelig for luftsirkulasjon.
- Produktets bunn kan bli varm. Sørg for at du monterer et separasjonspanel av kryssfiner, materiale som er godkjent til bruk i kjøkkenet eller andre ikke-brennbare materialer under produktet, for å forhindre tilgang til bunnen.
- Separasjonspanelet må dekke området under koketoppen helt.

## 2.2 Elektrisk tilkoping



### ADVARSEL!

Fare for brann og elektrisk støt.

- Alle elektriske tilkoblinger skal utføres av en kvalifisert elektriker.
- Produktet må være jordat.
- Sørg for at produktet er koblet fra strømforsyningen før du gjør enhver operasjon.
- Kontroller at parameterne på typeskiltet er kompatible med de elektriske spesifikasjonene i strømforsyningen.
- Sørg for at produktet er riktig montert. Løs og feil anvendt strømkabel eller støpselet (hvis aktuelt), kan gjøre at terminalen blir for varm.
- Bruk riktig strømkabel.
- Sørg for at strømkabelen ikke floker seg.
- Sørg for at støtbeskyttelse er montert.
- Bruk avlastingsklemmen på kabelen.
- Sørg for at strømkabelen eller støpselet (hvis aktuelt) ikke berører det varme produktet eller varme kokekar, når du kobler produktet til stikkontaktene i nærheten.
- Ikke bruk grenuttak eller skjøteledninger.
- Pass på at støpselet (hvis aktuelt) og strømkabelen ikke blir påført skade. Kontakt det autoriserte servicesenteret vårt, eller en elektriker, for å få byttet en skadet strømkabel.
- Beskyttelsen mot elektrisk støt fra strømførende og isolerte deler må festes på en måte som gjør at den ikke kan fjernes uten verktøy.
- Ikke sett støpselet i stikkontakten før monteringen er fullført. Påse at det er tilgang til stikkontakten etter monteringen.

- Hvis stikkontakten er løs skal du ikke sette i støpselet.
- Ikke trekk i kabelen for å koble fra produktet. Trekk alltid i selve støpselet.
- Bruk kun korrekte isoleringsenheter: vernebrytere, sikringer (sikringer av skrutypen fjernet fra holderen), jordfeilbrytere og kontaktorer.
- Den elektriske monteringen må ha en isoleringsenhet som lar deg frakoble apparatet fra strømmettet ved alle poler. Isoleringsenheten må ha en kontaktåpningsbredde på minst 3 mm.

## 2.3 Bruk



### ADVARSEL!

Risiko for skade, brannskader og elektrisk støt.

- Fjern (om nødvendig) all emballasje, merking og beskyttelsesfilm før første gangs bruk.
- Dette apparatet er kun for husholdningsbruk (innendørs).
- Produktets spesifikasjoner må ikke endres.
- Pass på at ventilasjonsåpningene ikke er blokkerte.
- Ikke la produktet være uten tilsyn mens det er i drift.
- Slå av kokesonene etter hver gang de har vært i bruk.
- Ikke legg bestikk eller grytelokk på kokesonene. De kan bli varme.
- Ikke bruk produktet med våte hender eller når det er i kontakt med vann.
- Bruk ikke apparatet som arbeids- eller oppbevaringsflate.
- Hvis apparatets overflate er knust må du umiddelbart koble apparatet fra strømforsyningen. Dette for å unngå elektrisk støt.
- Når du legger mat i varm olje, kan det sprute.



### ADVARSEL!

Risiko for brann og eksplosjon

- Oppvarming av fett og olje kan frigjøre brennbare damp. Hold flammer eller oppvarmede gjenstander unna fett og oljer når du tilbereder mat med dem.

- Dampen som svært varm olje slipper ut, kan forårsake selvantennelse.
- Brukt olje som kan inneholde matrester, kan forårsake brann ved en lavere temperatur enn olje som brukes for første gang.
- Legg ikke brennbare produkter, eller gjenstander som er fuktet med brennbare produkter, inn i eller i nærheten av apparatet.



#### **ADVARSEL!**

Fare for skade på produktet.

- Ikke plasser varme kokekar på betjeningspanelet.
- Ikke plasser et varmt grytelokk på koketoppens glassflate.
- Ikke la kokekar koke tørre.
- Vær forsiktig slik at ingen gjenstander eller varme kokekar faller på apparatet. Overflaten kan bli skadet.
- Ikke aktiver kokesonene med tomme kokekar eller uten kokekar.
- Ikke legg aluminiumsfolie på apparatet.
- Kokekar av støpejern, støpt aluminium eller kokekar med ødelagt bunn kan lage riper i glasset/glasskeramikken. Løft alltid disse objektene opp når du må flytte dem på koketoppen.
- Dette apparatet skal kun brukes til matlaging. Det må ikke brukes til andre formål, f.eks. oppvarming av rommet.

## 2.4 Stell og rengjøring



#### **ADVARSEL!**

Ikke fjern knappene, knottene eller pakningene fra kontrollpanelet. Vann kan komme inn i produktet og forårsake skade.

- Rengjør apparatet med jevne mellomrom for å hindre skade på overflaten.
- Slå apparatet av og la det avkjøle før rengjøring.
- Bruk ikke vannspray og damp for å rengjøre apparatet.
- Rengjør apparatet med en fuktet myk klut. Bruk kun nøytralt vaskemiddel. Bruk ikke slipereprodukter, slipende rengjøringsputer, løsemidler eller metallobjekter.

## 2.5 Tjenester

- Kontakt det autoriserte servicesenteret for å reparere apparatet. Bruk kun originale reservedeler.
- Angående lampen(e) i dette produktet og reservedeler som selges separat: Disse lampene er ment å motstå ekstreme fysiske forhold i husholdningsprodukter, for eksempel temperatur, vibrasjon, fuktighet, eller er ment å signalisere informasjon om produktets driftsstatus. De er ikke ment å brukes i andre bruksområder og egner seg ikke til rombelysning.

## 2.6 Avfallshåndtering



#### **ADVARSEL!**

Fare for skade og kvelning.

- Kontakt kommunen din for informasjon om hvordan du kaster apparatet.
- Koble produktet fra strømmen.
- Kutt av strømkabelen, lukk produktet og kast den.

# 3. MONTERING



#### **ADVARSEL!**

Se etter i Sikkerhetskapitlene.

## 3.1 Før monteringen

Før du monterer koketoppen skriv ned informasjonen nedenfor fra typeskiltet.

Typeplaten er plassert nederst i komfyrtoppen.

Modell .....  
 PNC  
 (produktnummer) .....  
 Serienummer .....

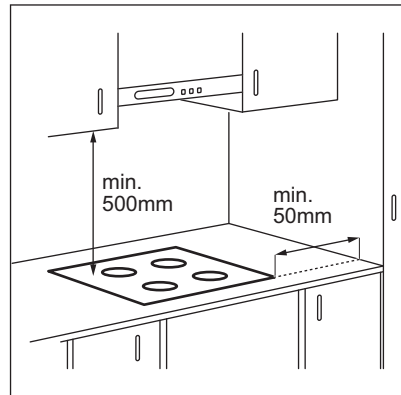


## 3.2 Koketopper

Koketopper skal bare brukes når de er bygd inn i egnede enheter og arbeidsbenker som oppfyller standardene.

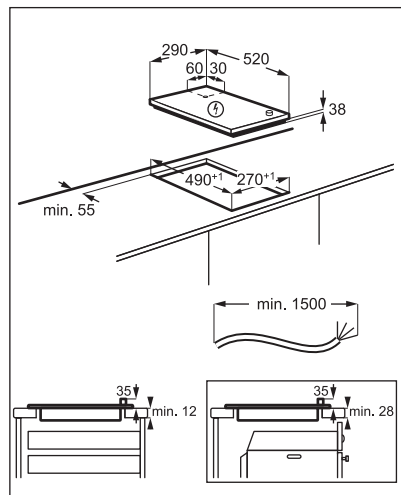
## 3.3 Tilkoblingskabel

- Komfyrtoppen leveres med en tilkoblingskabel.
- For å erstatte en ødelagt strømledning bruker du samme ledningstype: H05V2V2-F som tåler 90 °C eller mer. Kontakt et autorisert servicesenter. Tilkoblingskabelen må kun skiftes ut av en kvalifisert elektriker.



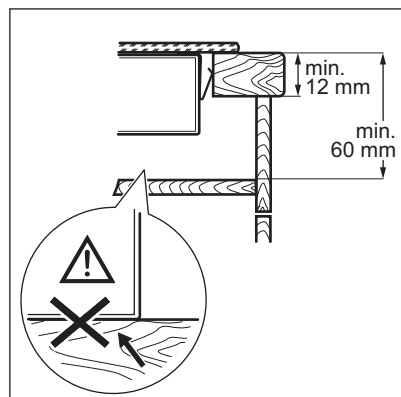
## 3.4 Feste tetningen – montering på topp

1. Rengjør benkeplaten rundt utskæringsområdet.
2. Fest tetningsbåndet 2x6 mm som følger med, til den nedre kanten av koketoppen langs den ytre kanten av glasskeramikken. Ikke strekk det. Sørg for at endene av tetningsbåndet sitter i midten på den ene siden av koketoppen.
3. Beregn noen ekstra millimeter på lengden når du skjærer til tetningsbåndet.
4. Trykk de to endene av tetningsbåndet sammen.

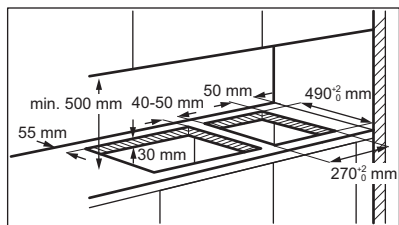


## 3.5 Sammenstilling

Hvis du installerer koketoppen under en avtrekksvifte, gå gjennom monteringsinstruksjonene for å finne minimumsavstanden mellom apparatene.



### 3.6 Installasjon av mer enn én koketopp



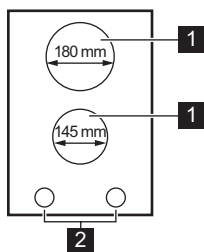
 [www.youtube.com/electrolux](http://www.youtube.com/electrolux)  
[www.youtube.com/aeg](http://www.youtube.com/aeg)

How to install your Electrolux  
Domino Hob - Worktop installation



## 4. PRODUKTBESKRIVELSE

### 4.1 Oversikt over matlagingsoverflaten



- 1** Kokesone
- 2** Kontrollbryter

### 4.2 Betjeningsbryter

Symbol	Funksjon
0	Av-posisjon
1 - 6	Varmeinnstillinger

### 4.3 Restvarme



#### ADVARSEL!

Det er fare for brannskader på grunn av restvarme.

## 5. DAGLIG BRUK



#### ADVARSEL!

Se etter i Sikkerhetskapitlene.

## 5.1 Effektrinnet

For å stille inn eller endre varmenivået, vri bryteren til riktig varmeinnstilling. For å deaktivere, vri bryteren til av-posisjonen.

## 6. RÅD OG TIPS



### ADVARSEL!

Se etter i Sikkerhetskapitlene.

### 6.1 Kokekar

- Kokekarets bunn må være så tykk og flat som mulig.
- Sørg for at pannebaser er rene og tørre før du setter dem på den keramiske komfyrtoppens overflate.
- For å unngå riper må du ikke skyve eller gni gryten over det keramiske glasset.



Kokekar av emaljert stål eller med aluminiums- eller kobberbunn kan misfarge den glasskeramiske overflaten.

### 6.2 Eksempler på tilberedningsmåter

Varme- innstil- ling:	Bruksområde:
1	Holde maten varm
2	Forsiktig småkoking
3	Småkoking
4	Steking/bruning
5	Koke opp
6	Koke opp / rask steking / frityrsteking

## 7. STELL OG RENGJØRING



### ADVARSEL!

Se etter i Sikkerhetskapitlene.

### 7.1 Generell informasjon

- Rengjør koketoppen etter hver bruk.
- Bruk kokekar med ren base.
- Riper eller mørke flekker på overflaten påvirker ikke bruken av koketoppen.
- Bruk et spesialrengjøringsprodukt for overflaten på komfyrtoppen.
- Bruk en spesialskrape for glasset.



Det er ikke anbefalt å fjerne bryterne.

### 7.2 Rengjøring av koketoppen

- **Fjern umiddelbart:** Smeltet plast, plastfolie, sukker og mat som inneholder

sukker, ellers kan skitten forårsake skade på koketoppen. Vær varsom slik at du unngår forbrenninger. Bruk en spesiell koketoppskrape på glassflaten i en skarp vinkel og skyv bladet bortover flaten.

- **Etter at koketoppen er tilstrekkelig avkjølt fjernes:** kalkringer, vannringer, fettflekker, blanke metalliske misfarginger. Rengjør koketoppen med en fuktig klut og rengjøringsmiddel som ikke sliper. Tørk koketoppen med en myk klut etter rengjøring.
- **Fjerne skinnende metallisk misfarging:** Bruk en oppløsning av vann og eddik og rengjør glassflaten med en fuktig klut.

## 8. FEILSØKING



### ADVARSEL!

Se etter i Sikkerhetskapitlene.

### 8.1 Hva må gjøres, hvis ...

Problem	Mulig årsak	Løsning
Du kan ikke aktivere eller betjene komfyrtoppen.	Komfyrtoppen er ikke koblet til en strømforsyning eller er koblet feil.	Kontroller om komfyrtoppen er riktig koblet til strømforsyningen.
	Sikringen har gått.	Kontroller at sikringen er årsaken til funksjonssvikten. Hvis sikringene går gjentatte ganger, må du kontakte en elektriker.

### 8.2 Hvis du ikke finner en løsning...

Hvis du ikke greier å løse problemet selv, kontakter du forhandleren eller et autorisert servicesenter. Oppgi opplysningene på typeskiltet. Oppgi også den tresifrede bokstavkoden for glasskeramikken (den ligger i hjørnet av glassflaten). Sørg for at du

har brukt koketoppen på riktig måte. Hvis ikke, må du selv betale for service fra serviceteknikeren eller forhandleren, også i garantitiden. Informasjonen om garantitiden og autoriserte servicesentre er oppført i garantiheftet.

## 9. TEKNISKE DATA

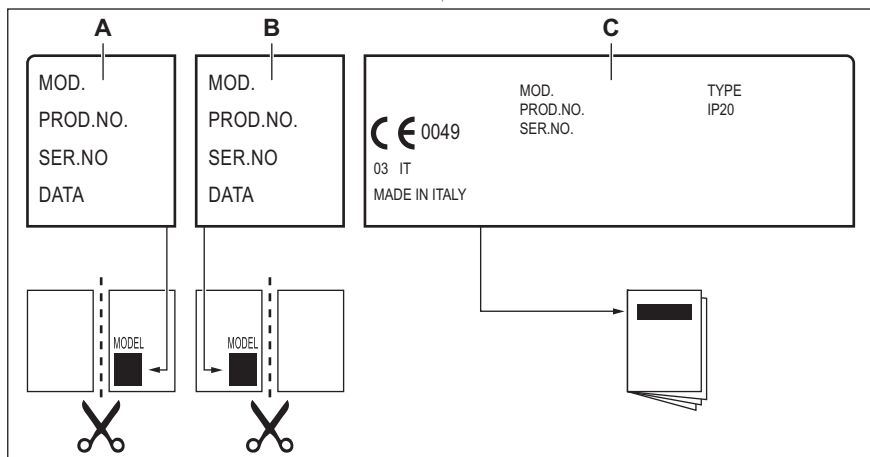
### 9.1 Spesifikasjoner for kokesoner

Kokesone	Nominell effekt (maks effekttrinn) [W]	Kokesonens diameter [mm]
Midtre foran	1200	145
Midtre bak	1700	180

For optimale tilberedningsresultatene bør du bruke kokekar som ikke er større enn diameteren til kokesonen.

## 9.2 Du finner etiketter i posen med tilbehør

Plasser de selvklebende etikettene som vist nedenfor:



- A. Klistres på garantikortet, og denne delen sendes (hvis aktuelt).
- B. Klistres på garantikortet, og denne delen beholdes (hvis aktuelt).
- C. Klistres på instruksjonsheftet.

## 10. ENERGIEFFEKTIV

### 10.1 Produktinformasjon\*

Modellidentifikasjon	EHF3920BOK	
Koketopp	Integrert koketopp	
Antall kokesoner	2	
Oppvarmingsteknologi	Varmeelement	
Diameter på sirkulære kokesoner (Ø)	Midtre foran	14,5 cm
	Midtre bak	18,0 cm
Energiforbruk per kokesone (EC electric cooking)	Midtre foran	194,9 Wh / kg
	Midtre bak	194,9 Wh / kg
Energiforbruk for komfyrtopp (EC electric hob)	194,9 Wh / kg	

\*For EU i henhold til EU 66/2014; for Hviterusland i henhold til STB 2477-2017, vedlegg A; for Ukraina i henhold til 742/2019.

EN 60350-2 - Elektriske husholdningsapparater for matlaging – del 2: Koketopp – Metoder for måling av ytelse

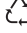
## 10.2 Energisparende


Du kan spare energi på hverdagslig tilberedning hvis du følger hintene under.

- Bruk kun mengden du trenger når du varmer opp vann.
- Legg alltid lokk på kokekaret, hvis det er mulig.
- Plasser kokekaret på kokesonen før du slår den på.

- Bunnen av kokekaret og kokesonene må ha samme diameter.
- Sett mindre kokekar på mindre kokesoner.
- Sett kokekaret direkte på midten av kokesonen.
- Bruk restvarmen for å holde maten varm eller for å smelte den.

## 11. BESKYTTELSE AV MILJØET

Resirkuler materialer som er merket med symbolet . Legg emballasjen i riktige beholdere for å resirkulere det. Bidrar til å beskytte miljøet, menneskers helse og for å resirkulere avfall av elektriske og elektroniske produkter. Ikke kast produkter som er merket

med symbolet  sammen med husholdningsavfallet. Produktet kan leveres der hvor tilsvarende produkt selges eller på miljøstasjonen i kommunen. Kontakt kommunen for nærmere opplysninger.

## VI TÄNKER PÅ DIG

Tack för att du har köpt en Electrolux-produkt. Du har valt en produkt som kommer med årtionden av yrkeserfarenhet och innovation. Den är genialisk och elegant, och den har den utformats med dig i åtanke. När du än använder den kan du känna dig trygg med att veta att du får fantastiska resultat varje gång.

Välkommen till Electrolux.

**Besök vår webbplats för att:**



få tips om användning, broschyrer, felsökning, service- och reparationsinformation:  
**[www.electrolux.com/support](http://www.electrolux.com/support)**



registrera din produkt för bättre service:  
**[www.registerelectrolux.com](http://www.registerelectrolux.com)**



köpa tillbehör, förbrukningsvaror och originalreservdelar till din produkt:  
**[www.electrolux.com/shop](http://www.electrolux.com/shop)**


## KUNDTJÄNST OCH SERVICE

Använd alltid originalreservdelar.


Ha följande uppgifter till hands när du kontaktar vår auktoriserade serviceverkstad:

Modell, artikelnummer, serienummer.

Informationen står på märkplåten.

 Varning/Försiktighet – Säkerhetsinformation

 Allmän information och tips

 Miljöinformation

Med reservation för ändringar.

## INNEHÅLL

1. SÄKERHETSINFORMATION.....	95
2. SÄKERHETSINSTRUKTIONER.....	97
3. INSTALLATION.....	99
4. PRODUKTBESKRIVNING.....	101
5. DAGLIG ANVÄNDNING.....	101
6. RÅD OCH TIPS.....	102
7. UNDERHÅLL OCH RENGÖRING.....	102
8. FELSÖKNING.....	102
9. TEKNISKA DATA.....	103
10. ENERGIEFFEKTIVITET.....	104
11. MILJÖSKYDD.....	105

## 1. SÄKERHETSINFORMATION

Läs noga de bifogade instruktionerna före installation och användning av produkten. Tillverkaren är inte ansvarig för

eventuella personskadorna eller andra skador som uppkommit som ett resultat av felaktig installation eller användning. Förvara alltid bruksanvisningen på en säker och tillgänglig plats för framtida bruk.

## **1.1 Säkerhet för barn och personer med funktionsnedsättning**

- Denna produkt kan användas av barn från 8 års ålder och uppåt, och av personer med nedsatt fysisk, sensorisk eller mental förmåga, samt personer med bristande erfarenhet och kunskap om de övervakas eller instrueras om hur produkten används på ett säkert sätt och förstår de risker som är förknippade med användningen. Barn under 8 år eller personer med mycket omfattande och komplexa funktionsnedsättningar ska inte vistas i närheten av produkten utan ständig uppsikt.
- Barn ska hållas under uppsikt så att de inte leker med produkten.
- Håll allt förpackningsmaterial utom räckhåll för barn och kassera det på lämpligt sätt.
- **WARNING!** Barn och husdjur ska hållas borta från produkten när den är igång eller när den svalnar. Åtkomliga delar blir heta under användning.
- Om maskinen har ett barnlås ska den aktiveras.
- Barn får inte utföra rengöring och underhåll av produkten utan uppsikt.

## **1.2 Allmän säkerhet**

- **WARNING!** Ugnen och åtkomliga delar blir mycket varma under användning. Var försiktig så att du inte vidrör värmeelementen.
- **WARNING!** Övervakad matlagning på en häll med fett eller olja kan vara farligt och kan leda till brand.
- Försök **ALDRIG** att släcka en eld med vatten, utan stäng av produkten och täck över flammen, t.ex. med ett lock eller brandfilt.



- **WARNING!** Produkten får inte tillföras via en extern kopplingsanordning, såsom timer, eller anslutas till en krets som regelbundet slås på och av med ett verktyg.
- **FÖRSIKTIGHET:** Tillagningsprocessen måste övervakas. En kort tillagningsprocess måste övervakas kontinuerligt.
- **WARNING!** Brandfara: Förvara inte föremål på kokytorna.
- Metallföremål som knivar, gafflar, skedar och lock bör inte placeras på produktens yta eftersom de blir varma.
- Använd inte produkten innan den installeras i den inbyggda strukturen.
- Använd inte ångrengöringsmedel för att rengöra produkten.
- Om keramik-/glasytan är sprucken, stäng av produkten och dra ur elsladden. Om produkten är ansluten till elnätet direkt med kopplingsboxen, ta bort säkringen för att koppla från produkten från strömförsörjningen. I båda fallen, kontakta vårt auktoriserade servicecenter.
- Om nätsladden är skadad måste den bytas av tillverkaren, en godkänd serviceverkstad eller personer med motsvarande utbildning, för att undvika fara.
- **WARNING!** Använd endast hållskydd som designats av tillverkaren av produkten eller som anges av tillverkaren i bruksanvisningen som lämplig, eller hållskydd som medföljer. Olyckor kan inträffa om fel skydd används.

## 2. SÄKERHETSINSTRUKTIONER

### 2.1 Installation



#### **WARNING!**

Endast en behörig person får installera den här produkten.



#### **WARNING!**

Risk för personskador och skador på produkten föreligger.

- Avlägsna allt förpackningsmaterial.
- Installera eller använd inte en skadad produkt.
- Följ installationsinstruktionerna som följer med produkten.
- Minsta avstånd till andra produkter ska beaktas.
- Var alltid försiktig när produkten rör sig eftersom den är tung. Använd alltid skyddshandskar och täkta skor.
- Täta skurna ytor med tätningsmedel för att förhindra att fukt får den att svälla.
- Skydda produktens botten mot ånga och fukt.
- Installera inte produkten nära en dörr eller under ett fönster. Detta förhindrar att heta kokkärl faller ned från produkten när dörren eller fönstret är öppet.
- Om produkten är installerad ovanför lådor måste utrymmet mellan produktens botten

och den övre lådan var tillräckligt så att luft kan cirkulera.

- Produktens undersida kan bli het. Se till att installera en separationspanel gjord av plywood, material av köksstommen eller andra icke-brännbara material under produkten för att förhindra att värmen kommer till botten.
- Separationspanelen måste helt täcka området under hällen.

## 2.2 Elektrisk anslutning



### **WARNING!**

Risk för brand och elektriska stötar.

- Alla elektriska anslutningar ska göras av en behörig elektriker.
- Produkten måste jordas.
- Produkten måste göras strömlös före alla rengöringsarbeten.
- Se till att de parametrarna på märkskylten överensstämmer med elnätets elektricitet.
- Kontrollera att produkten är rätt installerad. Lösa och ej fackmässigt monterade nätkablar eller kontakter (i förekommande fall) kan orsaka överhettning i kopplingsplinten.
- Använd rätt nätkabel.
- Låt inte elektriska ledningar trassla in sig.
- Kontrollera att ett skydd mot elektriska stötar är installerat.
- Dragavlasta kabeln.
- Kontrollera att nätkabeln eller kontakten (i förekommande fall) inte vidrör den heta produkten eller det heta kokkärlet när du ansluter produkten till närliggande uttag.
- Använd inte grenuttag eller förlängningssladdar.
- Kontrollera så att du inte skadar kontakten (i förekommande fall) och nätkabeln. Kontakta vårt auktoriserade servicecenter eller en elektriker för att ersätta en skadad nätkabel.
- Stötskyddet för strömförande och isolerade delar måste fästas på ett sådant sätt att det inte kan tas bort utan verktyg.
- Anslut stickkontakten till eluttaget först vid slutet av installationen. Kontrollera att stickkontakten är åtkomlig efter installationen.
- Anslut inte stickkontakten om vägguttaget sitter löst.

- Dra inte i anslutningssladden för att koppla bort produkten från eluttaget. Ta alltid tag i stickkontakten.
- Använd endast rätt isoleringsenheter: strömbrytare, säkringar (säkringar av skruvtyp tas ur hållaren), jordfelsbrytare och kontakter.
- Den elektriska installationen måste ha en isolationsenhet så att du kan koppla från produkten från nätet vid alla poler. Kontaktöppningen på isolationsenheten måste vara minst 3 mm bred.

## 2.3 Användning



### **WARNING!**

Risk för skador, brännskador eller elstötar föreligger.

- Ta bort all förpackning, etiketter och skyddsfilm (i förekommande fall) före första användningstillfället.
- Denna produkt är endast avsedd för hushållsbruk.
- Ändra inte produktens specifikationer.
- Kontrollera att ventilationsöppningarna inte är blockerade.
- Låt inte produkten stå utan uppsikt under användning.
- Stäng av kokzonen efter varje användningstillfälle.
- Lägg inte bestick eller kastrullock på kokzonerna. De kan bli varma.
- Använd inte produkten med våta händer eller när den har kontakt med vatten.
- Använd inte produkten som arbets- eller avlastningsyta.
- Koppla omedelbart bort produkten från eluttaget om ytan på produkten är sprucken. På detta sätt förhindrar du elstötar.
- Det kan stänka när du lägger livsmedel i het olja.



### **WARNING!**

Risk för brand och explosion

- Fetter och olja kan avge brandfarliga ångor när de värms upp. Håll flammor eller uppvärmda föremål borta från fetter och oljor när du lagar mat med dem.
- Ångorna som frigörs i mycket het olja kan orsaka självantändning.

- Redan använd olja, som kan innehålla matrester, kan orsaka brand vid lägre temperatur jämfört med olja som används för första gången.
- Placera inte brandfarliga produkter eller föremål som är våta med brandfarliga produkter i, i närheten av eller på produkten.



**WARNING!**

Risk för skador på produkten föreligger.

- Placera inga heta kokkärl på kontrollpanelen.
- Lägg inte på några värmskydd på hällens glasyta.
- Låt inte kokkärl torrkoka.
- Var försiktig så att inte föremål eller kokkärl faller på produkten. Ytan kan skadas.
- Aktivera inte kokzonerna med tomma kokkärl eller utan kokkärl.
- Lägg inte aluminiumfolie på produkten.
- Kokkärl av gjutjärn, aluminium eller med skadad botten kan repa glaset / glaskeramiken. Lyft alltid upp dessa föremål när du måste flytta dem på kokhällen.
- Denna produkt är endast avsedd för matlagning. Den får inte användas för några andra ändamål, t.ex. för rumsuppvärmning.

## 2.4 Underhåll och rengöring



**WARNING!**

Ta inte bort knapparna, rattarna eller packningarna från kontrollpanelen. Vatten kan komma in i produkten och orsaka skada.

- Rengör produkten regelbundet för att förhindra att ytmaterialet försämras.
- Stäng av produkten och låt den kallna före rengöring.
- Spruta inte vatten eller ånga på produkten för att rengöra den.
- Rengör produkten med en fuktig, mjuk trasa. Använd bara milda rengöringsmedel. Använd inte produkter med slipeffekt, skursvampar, lösningsmedel eller metallföremål.

## 2.5 Service

- Kontakta ett auktoriserat servicecenter för reparation av produkten. Använd endast originalreservdelar.
- När det gäller lampan/lamporna i denna produkt och reservlampor som säljs separat: Dessa lampor är avsedda att tåla extrema fysiska förhållanden i hushållsapparater, såsom temperatur, vibration, fuktighet eller är avsedda att signalera information om produktens driftsstatus. De är inte avsedda att användas i andra produkter eller som rumsbelysning i hemmet.

## 2.6 Avyttring



**WARNING!**

Risk för kvävning eller skador.

- Kontakta kommunen för information om hur produkten ska kasseras.
- Koppla loss produkten från eluttaget.
- Klipp av elkabeln nära produkten och kassera den.

# 3. INSTALLATION



**WARNING!**

Se säkerhetsavsnitten.

## 3.1 Före installationen

Innan du installerar hällen ska du anteckna informationen nedan från typskylten. Typskylten sitter nertill på hällen.

Modell .....  
 PNC (produktnr) .....  
 Serienummer .....

### 3.2 Inbyggnadshällar

Inbyggnadshällar får endast användas efter installation i lämpliga inbyggnadsenheter och arbetsbänkar enligt gällande standarder.

### 3.3 Anslutningskabel

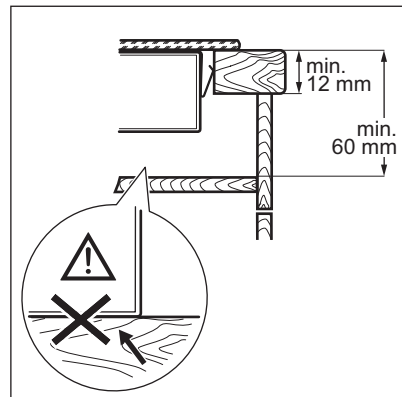
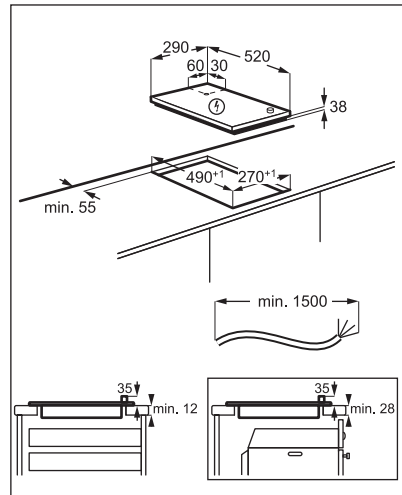
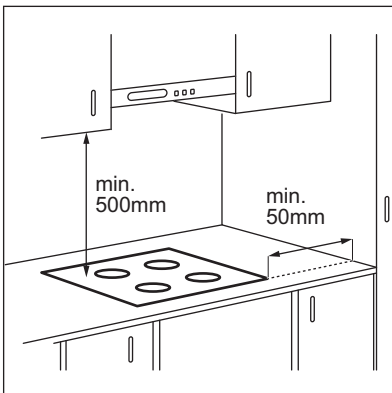
- Hällen är försedd med en nätkabel.
- För att ersätta den skadade nätkabeln, använd kabeltyp: H05V2V2-F som motstår en temperatur på 90 °C eller högre. Kontakta ett auktoriserat servicecenter. Nätkabeln får endast bytas ut av en behörig elektriker.

### 3.4 Fästa tätningen - installation på bänken

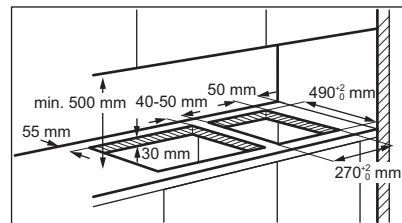
1. Rengör bänkskivan runt det utskurna området.
2. Sätt fast den medföljande tätningslistan (2x6 mm) runt den nedre kanten på hällen längs ytterkanten på glaskeramiken. Töj inte ut den. Kontrollera att ändarna på tätningslistan sitter i mitten på ena sidan av hällen.
3. Lägg till några millimeter till längden när du skär till tätningslistan.
4. Tryck samman de två ändarna på tätningslistan.

### 3.5 Montering

Om du installerar hällen under en köksfläkt, se monteringsanvisningarna för fläkten angående minsta avstånd mellan produkterna.



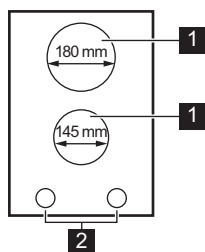
### 3.6 Installation av två eller fler hällar





## 4. PRODUKTBESKRIVNING

### 4.1 Hällens layout



- 1** Kokzon
- 2** Kontrollvred

### 4.2 Kontrollvred

Symbol	Funktion
0	Av-läge
1 - 6	Värmeinställningar

### 4.3 Restvärme



**WARNING!**

Det finns risk för brännskador från restvärme.

## 5. DAGLIG ANVÄNDNING



**WARNING!**

Se säkerhetsavsnitten.

### 5.1 Värmeläge

Ställ in eller ändra värmeläget genom att vrida vredet till rätt värmeläge. Vrid vredet till avstängt läge för att avaktivera.

## 6. RÅD OCH TIPS



### VARNING!

Se säkerhetsavsnitten.

### 6.1 Kockärl

- Kockkärls botten måste vara så tjock och plan som möjligt.
- Se till att kastrullens botten är ren och torr innan du sätter den på hällen.
- För att undvika repor ska man inte dra eller gnugga kastrullen mot det keramiska glaset.



Kockärl av emaljerat stål med aluminium- eller kopparbotten kan orsaka färgskiftning på glaskeramiken.

### 6.2 Exempel på tillagningsområden

Värme- läge:	Gör så här:
1	Varmhållning
2	Lätt sjudning
3	Sjudning
4	Stekning/bryning
5	Uppkokning
6	Uppkokning/snabbstekning/fritering

## 7. UNDERHÅLL OCH RENGÖRING



### VARNING!

Se säkerhetsavsnitten.

### 7.1 Allmän information

- Rengör hällen efter varje användningstillfälle.
- Använd alltid kockärl med ren botten.
- Repor eller mörka fläckar på ytan påverkar inte hällens funktion.
- Rengör hällens yta med lämpligt rengöringsmedel.
- Använd en speciell skrapa för glaset.



Vreden bör inte tas bort.

### 7.2 Rengöring av hällen

- **Ta omedelbart bort:** smält plast, plastfolie, socker och mat som innehåller

socker, annars kan denna smuts orsaka skador på hällen. Var försiktig och undvik brännskador. Sätt specialskrapan snett mot glasytan och för bladet över ytan.

- **Ta bort när hällen svalnat tillräckligt:** kalkringar, vattenringar, fettstänk, glänsande metalliska missfärgningar. Rengör hällen med en fuktig duk och icke slipande rengöringsmedel. Efter rengöring, torka hällen med en mjuk duk.
- **Ta bort missfärgning på blank metall:** använd en lösning av vatten och vinäger och rengör glasytan med en trasa.

## 8. FELSÖKNING



### VARNING!

Se säkerhetsavsnitten.

## 8.1 Vad gör jag om...

Problem	Möjlig orsak	Avhjälpa felet
Det går inte att aktivera eller använda ugnen.	Ugnen är inte ansluten till strömförsörjningen eller den är ansluten på fel sätt.	Kontrollera att ugnen är korrekt ansluten till strömförsörjningen.
	Säkringens har gått.	Kontrollera att säkringen är orsaken till felet. Om säkringen går gång på gång, tala med en kvalificerad elektriker.

## 8.2 Om du inte kan avhjälpa felet...

Kontakta din återförsäljare eller auktoriserad serviceverkstad om du inte kan avhjälpa felet. Uppge uppgifterna på märkskylten. Uppge även den tresiffriga koden för glaskeramiken (den sitter i hörnet på

glasytan). Kontrollera att du använde hällen på rätt sätt. I annat fall täcks inte kostnaden för serviceteknikerns eller återförsäljarens åtgärder av garantin. Informationen om garantitid och auktoriserade servicecenter finns i garantihäftet.

## 9. TEKNISKA DATA

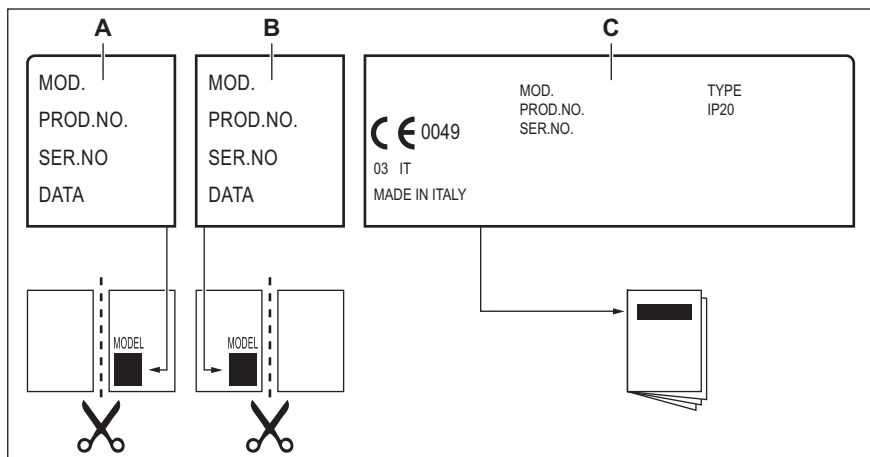
### 9.1 Specifikation för kokzonerna

Kokzon	Nominell effekt (max värmeläge) [W]	Kokzonens diameter [mm]
Mitten fram	1200	145
Mitten bak	1700	180

För optimalt matlagningsresultat använd inte kokkärl med större diameter än på kokzonen.

## 9.2 Etiketter som medföljer i tillbehörspåsen

Sätt fast klisteretiketterna enligt anvisningarna nedan:



- A. Sätt fast den på garantikortet och skicka denna del (i förekommande fall).  
B. Sätt fast den på garantikortet och behåll denna del (i förekommande fall).

- C. Sätt fast den på instruktionshäftet.

## 10. ENERGIEFFEKTIVITET

### 10.1 Produktinformation\*

Modellidentifiering		EHF3920BOK
Typ av håll		Inbyggnadshåll
Antal kokzoner		2
Uppvärmningsmetod		Strålningslampa
Diameter på runda kokzoner (Ø)	Mitten fram	14,5 cm
	Mitten bak	18,0 cm
Energiförbrukning per kokzon (EC electric cooking)	Mitten fram	194,9 Wh/kg
	Mitten bak	194,9 Wh/kg
Hällens energiförbrukning (EC electric hob)		194,9 Wh/kg

\* För Europeiska unionen enligt EU 66/2014. För Belarus enligt STB 2477-2017, bilaga A. För Ukraina enligt 742/2019.

EN 60350-2 - Elektriska matlagingsprodukter för hushåll – Del 2: Hällar – metoder för mätning av prestanda




## 10.2 Energibesparing


Du kan spara energi vid vardagsmatlagningen om du följer nedanstående tips.

- Värm bara upp den mängd vatten du behöver.
- Sätt om möjligt alltid ett lock på kokkärlet.
- Ställ kokkärlet på kokzonen innan du aktiverar den.

- Kokkärlets botten ska ha samma diameter som kokzonen.
- Ställ ett mindre kokkärl på mindre kokzoner.
- Ställ kokkärlet i mitten av kokzonen.
- Använd restvärmen för att hålla maten varm eller för att smälta den.

## 11. MILJÖSKYDD

Återvinn material med symbolen . Återvinn förpackningen genom att placera den i lämpligt kärl. Bidra till att skydda vår miljö och vår hälsa genom att återvinna avfall från elektriska och elektroniska produkter. Släng

inte produkter märkta med symbolen  med hushållsavfallet. Lämna in produkten på närmaste återvinningsstation eller kontakta kommunkontoret.

## MĒS DOMĀJAM PAR JUMS

Paldies, ka iegādājāties Electrolux ierīci. Esat izvēlējušies produktu, kas jau vairāku gadu desmitu aprvieno profesionālas pieredzes un inovāciju. Atļautīgs un stilīgs, radīts, ņemot vērā jūsu vēlmes. Tāpēc katru reizi lietojot, varat būt droši, ka saņemsiet izcilus rezultātus.

Lai arī lūdzam Electrolux pasaulē!

**Apmeklējiet mūsu tīmekļa vietni, lai:**



saņemtu lietošanas ieteikumus un brošūras, kā arī traucējummeklēšanas, servisa un remonta informāciju:

**[www.electrolux.com/support](http://www.electrolux.com/support)**

reģistrētu savu ierīci labāka servisa saņemšanai:

**[www.registerelectrolux.com](http://www.registerelectrolux.com)**



iegādātos savai ierīcei papildpiederumus, vienreizējas lietošanas materiālus un oriģinālās rezerves daļas:

**[www.electrolux.com/shop](http://www.electrolux.com/shop)**

## KLIENTU APKALPOŠANA UN SERVISS

Izmantojiet tikai oriģinālas rezerves daļas.

Sazinoties ar mūsu pilnvaroto servisa centru, nodrošiniet, lai jums būtu pieejami šādi dati: modelis, PNC, sērijas numurs.

Šī informācija ir norādīta uz datu plāksnītes.

 Uzmanību / drošības informācija

 Vispārīga informācija un ieteikumi

 Ar vidi saistīta informācija

Izmaiņu tiesības rezervētas.

## SATURS

1. DROŠĪBAS INFORMĀCIJA.....	106
2. DROŠĪBAS NORĀDĪJUMI.....	108
3. UZSTĀDĪŠANA.....	110
4. IZSTRĀDĀJUMA APRAKSTS.....	112
5. IERĪCES IZMANTOŠANA IKDIENĀ.....	112
6. PADOMI UN IETEIKUMI.....	113
7. APRŪPE UN TĪRĪŠANA.....	113
8. PROBLĒMRISINĀŠANA.....	114
9. TEHNISKIE DATI.....	114
10. ENERGOEFEKTIVITĀTE.....	115
11. APSVĒRUMI PAR VIDES AIZSARDZĪBU.....	116

## 1. DROŠĪBAS INFORMĀCIJA

Pirms ierīces uzstādīšanas un lietošanas rūpīgi izlasiet pievienotos norādījumus. Ražotājs neatbild par

savainojumiem un bojājumiem, kas radušies ierīces nepareizas uzstādīšanas vai izmantošanas rezultātā. Glabājiet šīs instrukcijas drošā, pieejamā vietā, lai tās varētu izmantot nākotnē.

## 1.1 Bērnu un paši jūtīgu personu drošība

- Šo ierīci drīkst izmantot bērni no 8 gadu vecuma un cilvēki ar ierobežotām fiziskām, sensorām vai garīgām spējām vai pieredzes un zināšanu trūkumu atbildīgas personas uzraudzībā vai, ja tie ir informēti par ierīces drošu lietošanu un izprot potenciālos riskus. Bērniem no līdz 8 gadu vecumam un personām ar ļoti plašu un sarežģītu invaliditāti jāliedz piekļuve ierīcei, ja vien tos nepārtraukti neuzrauga.
- Mazi bērni jāuzrauga, lai viņi nerotaļātos ar ierīci.
- Neļaujiet bērniem tuvoties iepakojumam un atbrīvojieties no tā pienācīgā veidā.
- UZMANĪBU! Neļaujiet bērniem un mājdzīvniekiem atrasties ierīces tuvumā, kad tā darbojas vai atdziest. Ierīces pieejamās daļas lietošanas laikā sakarst.
- Ja ierīcei ir bērnu drošības ierīce, tā jāaktivizē.
- Bērni nedrīkst tīrīt ierīci un veikt tās apkopi bez uzraudzības.

## 1.2 Vispārīgi drošības norādījumi

- UZMANĪBU: Ierīce un tās pieejamās detaļas lietošanas laikā sakarst. Nepieskarieties sildelementiem.
- UZMANĪBU: gatavojot uz plīts ēdienu ar taukiem vai eļļu bez pieskatīšanas, var izcelties ugunsgrēks.
- NEKĀDĀ GADĪJUMĀ NEMĒĢINIET dzēst uguni, izmantojot ūdeni — tā vietā izslēdziet ierīci un aplājiet liesmu, piemēram, ar vāku vai ugunsdrošības segu.
- UZMANĪBU: ierīci nedrīkst barot caur ārējo komutācijas ierīci, piemēram, taimerī, vai pievienot to sistēmai, kuru regulāri ieslēdz un izslēdz inženiertehniskā nodrošinājuma sistēma.
- BRĪDINĀJUMS: gatavošanas process ir jāuzrauga. Īss gatavošanas process jāuzrauga nepārtraukti.

- **UZMANĪBU:** Aizdeģšanās risks: neuzglabājiēt priekšmetus uz gatavošanas virsmām.
- Nenovietojiet uz plīts virsmas metāla priekšmetus, piemēram, nažus, dakšas, karotes un vākus, jo tie var sakarst.
- Nelietojiet ierīci pirms tās iebūvēšanas.
- Ierīces tīrīšanai neizmantojiet tvaika tīrītāju.
- Ja stikla keramikas virsma / stikla virsma ir saplaisājusi, izslēdziet ierīci un atvienojiet to no strāvas padeves avota. Ja ierīce ir pieslēgta strāvas padeves avotam tiešā veidā, izmantojot savienojuma kārbu, noņemiet drošinātāju, lai atvienotu ierīci no strāvas padeves avota. Jebkurā gadījumā sazinieties ar Pilnvarotu servisa centru.
- Ja elektrības padeves vads ir bojāts, lai izvairītos no nelaimes gadījumiem, to jānomaina ražotājam, pilnvarotam servisa pārstāvim vai kvalificētam speciālistam.
- **UZMANĪBU:** Izmantojiet tikai tos plīts aizsargus, kurus ir izgatavojis ierīces ražotājs vai kuri norādīti lietošanas instrukcijā kā lietošanai piemēroti vai kuri ir iestrādāti ierīcē. Nepiemērotu plīts aizsargu lietošana var izraisīt negadījumus.

## 2. DROŠĪBAS NORĀDĪJUMI

### 2.1 Uzstādīšana



#### **BRĪDINĀJUMS!**

Ierīci drīkst uzstādīt tikai kvalificēta persona.



#### **BRĪDINĀJUMS!**

Pastāv savainojumu vai ierīces bojājumu risks.

- Noņemiet visu iesaiņojumu.
- Neuzstādiēt un nelietojiet bojātu ierīci.
- Ievērojiet kopā ar ierīci piegādātās uzstādīšanas norādes.
- Nodrošiniēt starp blakus uzstādītām ierīcēm piemērotu attālumu.
- Vienmēr uzmanīgi pārvietojiet ierīci, jo tā ir smaga. Vienmēr izmantojiet drošības cimdus un slēgtus apavus.

- Apstrādājiēt nozāģētās virsmas ar hermetizējošu līdzekli, lai nepieļautu piebriešanu mitruma ietekmē.
- Aizsargājiēt ierīces apakšu no tvaika un mitruma.
- Neuzstādiēt ierīci blakus durvīm vai zem logiem. Tas jāievēro, lai, atverot durvis vai logu, nenokristu ēdiena gatavošanas trauki.
- Ja zem ierīces atrodas atvilktnes, pārliecinieties, ka starp ierīces apakšu un augšējo ierīci tiek nodrošināta pietiekama gaisa cirkulācija.
- Ierīces apakšdaļa var būt karsta. Pārliecinieties, lai tiktu uzstādīts atdalošais panelis, kas ir izgatavots no saplākšņa, virtuves karkasa materiāla vai citu neuzliesmojošu materiāla saskaņā ar iekārtu, lai nepieļautu piekļuvi apakšā.



vielas vai ar viegli uzliesmojošām vielām piesūcinātus priekšmetus.



### **BRĪDINĀJUMS!**

Pastāv ierīces bojājumu risks.

- Nenovietojiet karstus ēdiena gatavošanas traukus uz vadības paneļa.
- Nedrīkst novietot karstu pannas vāku uz plīts stikla virsmas.
- Ēdiena gatavošanas laikā neļaujiet ēdiena gatavošanas traukiem izvārtīties tukšiem.
- Gādājiet, lai uz ierīces neuzkrītu nekādi priekšmeti un ēdiena gatavošanas trauki. Tā var sabojāt virsmu.
- Neieslēdziet gatavošanas zonas, ja uz tām novietots tukšs ēdiena gatavošanas trauks, vai bez ēdiena gatavošanas trauka.
- Nenovietojiet uz ierīces alumīnija foliju.
- Ēdiena gatavošanas trauki, kas izgatavoti no čuguna vai alumīnija lējuma, vai kuru apakša ir bojāta, var saskrāpēt stiklu / stikla keramiku. Pārvietojot šādus priekšmetus pa plīts virsmu, vienmēr paceliet tos.
- Šī ierīce paredzēta tikai ēdiena gatavošanai. To nedrīkst lietot citiem nolūkiem, piemēram, telpu apsildei.

## **2.4 Apkope un tīrīšana**



### **BRĪDINĀJUMS!**

Neizņemiet taustiņus, regulatorus vai bīvējumu no vadības paneļa. Ūdens var iekļūt ierīces iekšpusē un radīt bojājumus.

- Regulāri tīriet ierīci, lai novērstu virsmas materiāla sabojāšanos.

- Pirms tīrīšanas izslēdziet ierīci un ļaujiet tai atdzist.
- Ierīces tīrīšanai neizmantojiet tvaiku un neizsmidziniet ūdeni.
- Tīriet ierīci ar mitru, mīkstu drānu. Izmantojiet tikai neitrālus mazgāšanas līdzekļus. Neizmantojiet abrazīvus izstrādājumus, abrazīvus sūkļus, šķīdinātājus vai metāla priekšmetus.

## **2.5 Serviss**

- Lai salabotu ierīci, sazinieties ar pilnvarotu servisa centru. Izmantojiet tikai oriģinālās rezerves daļas.
- Informācija par šajā produktā esošo lampu (lampām) un atsevišķi nopērkamajām rezerves lampām: Šīs lampas ir paredzētas ekstremāliem fiziskajiem apstākļiem, piemēram, temperatūrai, vibrācijai, mitrumam, māsasaimniecības ierīcēs vai paredzētas informēšanai par ierīces darbības statusu. Tās nav paredzētas citiem lietošanas veidiem un nav piemērotas māsasaimniecības telpu apgaismojumam.

## **2.6 Utilizācija**



### **BRĪDINĀJUMS!**

Pastāv savainošanās vai nosmakšanas risks.

- Sazinieties ar vietējās pašvaldības iestādēm, lai noskaidrotu, kā utilizēt ierīci.
- Atvienojiet ierīci no elektropadeves.
- Nogrieziet strāvas kabeli netālu no ierīces un utilizējiet to.

# **3. UZSTĀDĪŠANA**



### **BRĪDINĀJUMS!**

Skatiet sadaļu "Drošība".

## **3.1 Pirms uzstādīšanas**

Pirms plīts uzstādīšanas pierakstiet zemāk informāciju, kas norādīta uz datu plāksnītes. Tehnisko datu plāksnīte atrodas plīts apakšā.

Modelis .....  
Izstrādājuma  
Nr. ....  
Sērijas numurs .....

## **3.2 Iebūvējamās plītis**

Lietojiet iebūvējamās plītis tikai pēc tam, kad tās ir pareizi iebūvētas virtuves mēbelēs un

darba virsmās atbilstoši spēkā esošiem standartiem.

### 3.3 Strāvas padeves kabelis

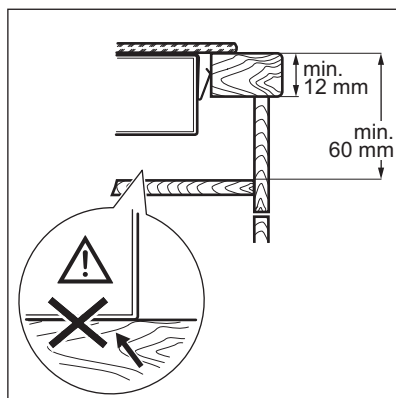
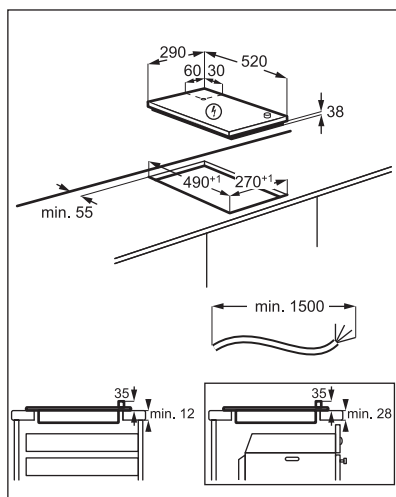
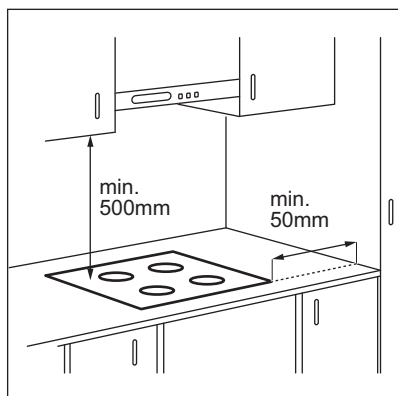
- Plīts virsma ir aprīkota ar strāvas padeves kabeli.
- Lai nomainītu bojātu strāvas vadu, izmantojiet kabeli: H05V2V2-F, kurš spēj izturēt 90 °C un augstāku temperatūru. Sazinieties ar pilnvaroto servisa centru. Strāvas padeves kabeļa nomainīšanu drīkst veikt tikai kvalificēts elektriķis.

### 3.4 Bļivējuma uzlikšana — uzstādīšana virspusē

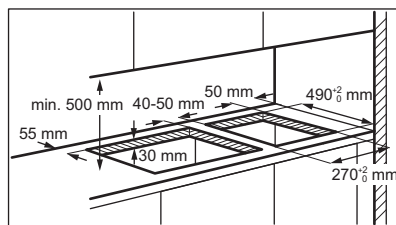
1. Noīriet darba virsmu gar izgriezto zonu.
2. Uzlieciet pievienoto 2x6 mm bļivējuma loksni gar plīts apakšējo malu tā, lai tā virzītos gar stikla keramikas ārējo malu. Nestiepiet to. Pārliecinieties, ka bļivējuma loksnes gali atrodas plīts vienas puses vidū.
3. Griežot bļivējuma loksni, nogrieziet par dažiem mm vairāk.
4. Savienojiet abus bļivējuma loksnes galus kopā.

### 3.5 Montāža

Uzstādot plīts virsmu zem tvaika nosūcēja, skatiet minimālo nepieciešamo attālumu starp ierīcēm tvaika nosūcēja uzstādīšanas instrukcijās.



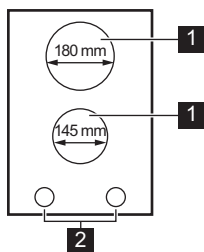
### 3.6 Vairāk nekā vienas virsmas uzstādīšana





## 4. IZSTRĀDĀJUMA APRAKSTS

### 4.1 Gatavošanas virsmas izkārtojums



- 1** Gatavošanas zona
- 2** Vadības regulatori

### 4.2 Vadības poga

Simbols	Funkcija
0	Izslēgts stāvoklis
1 - 6	Sildīšanas pakāpe

### 4.3 Atlikušais siltums



#### BRĪDINĀJUMS!

Pastāv risks gūt apdegumus atlikušā siltuma dēļ.

## 5. IERĪCES IZMANTOŠANA IKDIENĀ



#### BRĪDINĀJUMS!

Skatiet sadaļu "Drošība".

pakāpei. Lai deaktivizētu, pagrieziet slēdzi izslēgtā pozīcijā.

### 5.1 Sildīšanas pakāpe

Lai iestatītu vai mainītu sildīšanas pakāpi, pagrieziet slēdzi līdz pareizajai sildīšanas



## 6. PADOMI UN IETEIKUMI



### BRĪDINĀJUMS!

Skatiet sadaļu "Drošība".

### 6.1 Ēdiena gatavošanas trauki

- Ēdiena gatavošanas trauka dibenam jābūt pēc iespējas biežākam un plakanākam.
- Pirms katlu novietošanas uz plīts virsmas nodrošiniet, lai katlu dibeni būtu tīri un sausi.
- Lai izvairītos no saskrāpēšanas, nevelciet un nebīdīet katlus pa keramiskā stikla virsmu.



Ēdiena gatavošanas trauki, kas izgatavoti no emaljēta tērauda, ar alumīniju vai vara dibenu, var izraisīt keramiskā stikla krāsas izmaiņas.

### 6.2 Ēdienu gatavošanas piemēri, izmantojot

#### Sildīša- nas pa- kāpe:

1	Ēdiena uzturēšanai siltumā
2	Lēnai vārīšanai
3	Vārīšanai uzturot šķidrums viršanu
4	Cepšanai / aprūnināšanai
5	Sakarsēšanai līdz vārīšanās punktam
6	Vārīšanai / ātrai apacešanai / pamatīgai uzcepšanai

## 7. APRŪPE UN TĪRĪŠANA



### BRĪDINĀJUMS!

Skatiet sadaļu "Drošība".

### 7.1 Vispārīga informācija

- Notīriet plīts virsmu pēc katras lietošanas reizes.
- Vienmēr izmantojiet ēdiena gatavošanas traukus ar tīru apakšu.
- Skrāpējumi vai tumši traipi uz virsmas neietekmē plīts virsmas darbību.
- Izmantojiet plīts virsmām īpaši paredzētu tīrīšanas līdzekli.
- Stiklam izmantojiet speciālu skrāpi.



Nav ieteicams noņemt pogas.

### 7.2 Plīts tīrīšana

- **Noņemot nekavējoties:** izkusušu plastmasu, plastmasas plēvi, cukuru un

ēdienu, kura sastāvā ir cukurs, jo pretējā gadījumā netīrumi var izraisīt plīts bojājumus. Uzmanieties, lai negūtu apdegumus. Izmantojiet īpašu skrāpi uz stikla virsmas piemērotā leņķī un virziet tā asmeni pāri virsmai.

- **Noņemot, kad plīts ir pietiekami atdzisusi:** kaļķakmens un ūdens traipus, taukvielu šļakstus un krāsu izmaiņas uz spīdīgās metāliskās virsmas. Tīriet plīti ar mitru drāniņu un neabrazīvu mazgāšanas līdzekli. Pēc tīrīšanas noslaukiet plīti sausu ar mīkstu drānu.
- **Spīdošu metāla daļu krāsas zaudēšanas novēršana:** izmantojiet ūdens un etiķa šķīdumu un notīriet stikla virsmu ar drānu.

## 8. PROBLĒMRISINĀŠANA



### BRĪDINĀJUMS!

Skatiet sadaļu "Drošība".

### 8.1 Ko darīt, ja...

Problēma	Iespējamais cēlonis	Risinājums
Plīts virsmu nevar ieslēgt vai tā nedarbojas.	Plīts virsma nav pieslēgta elektrotīklam vai tā ir pieslēgta elektrotīklam nepareizi.	Pārbaudiet, vai plīts virsma ir pareizi pieslēgta elektrotīklam.
	Izdedzis drošinātājs.	Pārbaudiet, vai darbības traucējumu cēlonis ir drošinātājs. Ja drošinātājs izdeg atkārtoti, sazinieties ar kvalificētu elektrīki.

### 8.2 Ja nevarat rast risinājumu...

Ja nevarat rast risinājumu, sazinieties ar ierīces izplatītāju vai pilnvarotu servisa centru. Norādiet tehnisko datu plāksnītē redzamos datus. Norādiet arī uz stikla keramikās virsmas redzamo trīsciparu kodu (tas atrodas stikla virsmas stūrī).

Pārliecinieties, ka jūs pareizi darbināt plīts virsmu. Pretējā gadījumā tehnika vai izplatītāja nodrošinātā apkalpošana nebūs pieejama bez maksas arī garantijas perioda laikā. Informācija par garantijas periodu un pilnvaroto servisa centru ir norādīta garantijas grāmatīnā.

## 9. TEHNISKIE DATI

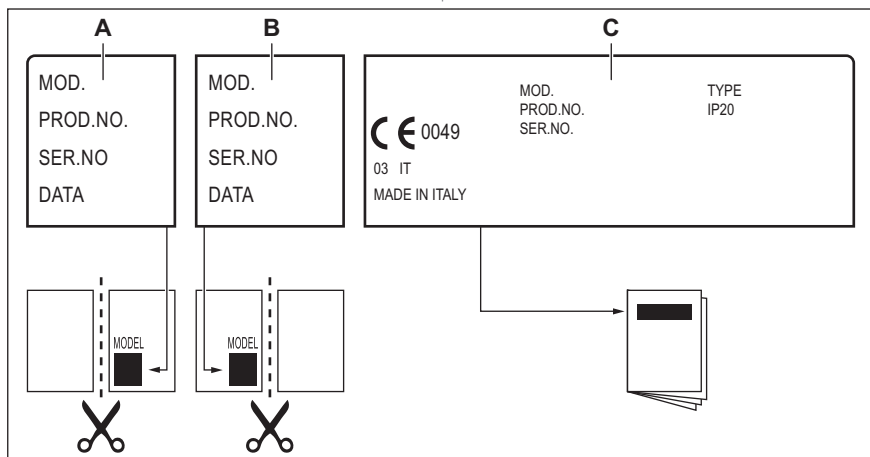
### 9.1 Gatavošanas zonu specifikācijas

Gatavošanas zona	Nominālā jauda (maksimālā sildīšanas pakāpe) [W]	Gatavošanas zonas diametrs [mm]
Priekšējā vidējā	1200	145
Aizmugurējā vidējā	1700	180

Lai gūtu optimālus gatavošanas rezultātus, lietojiet ēdiena gatavošanas traukus, kas nav lielāki par gatavošanas zonas diametru.

## 9.2 Uzlīmes tiek piegādātas komplektā ar piederumu somu.

Uzlieciet pašlīmējošās uzlīmes kā norādīts zemāk:



- A. Pielīmējiet to garantijas talonam un atsūtiet šo daļu (ja ir spēkā).
- B. Pielīmējiet to garantijas talonam un saglabājiet šo daļu (ja ir spēkā).

- C. Uzlīmējiet to uz pamācības brošūras.

## 10. ENERGOEFEKTIVITĀTE

### 10.1 Produkta informācija\*

Modeļa identifikācija		EHF3920BOK
Plīts virsmas veids		Iebūvētā plīts virsma
Gatavošanas zonu skaits		2
Karsēšanas tehnoloģija		Starojuma sildītājs
Apājo gatavošanas zonu diametrs (Ø)	Priekšējā vidējā Aizmugurējā vidējā	14,5 cm 18,0 cm
Elektroenerģijas patēriņš uz gatavošanas zonu (EC electric cooking)	Priekšējā vidējā Aizmugurējā vidējā	194,9 Wh / kg 194,9 Wh / kg
Plīts virsmas elektroenerģijas patēriņš (EC electric hob)		194,9 Wh / kg

\* Eiropas Savienībai saskaņā ar EU 66/2014. Baltkrievijai saskaņā ar STB 2477-2017 A pielikumu. Ukrainai saskaņā ar 742/2019.


## 10.2 Enerģijas taupīšana


Ievērojot turpmāk izklāstītos ieteikumus ikdienas gatavošanas laikā var ietaupīt enerģiju.

- Lieciet karsēt ūdeni tikai nepieciešamā tilpumā.
- Ja iespējams, uzlieciet ēdiena gatavošanas traukiem vākus.
- Pirms gatavošanas zonas ieslēgšanas uzlieciet uz tās ēdiena gatavošanas trauku.

- Ēdiena gatavošanas traukam jāatbilst gatavošanas zonas diametram.
- Mazākus ēdiena gatavošanas traukus lieciet uz mazākām gatavošanas zonām.
- Ēdiena gatavošanas traukus lieciet tieši gatavošanas zonas centrā.
- Varat izmantot atlikušo siltumu, lai uzturētu ēdiena siltu vai to kausētu.

## 11. APSVĒRUMI PAR VIDES AIZSARDZĪBU

Nododiet otrreizējai pārstrādei materiālus ar simbolu . Ievietojiet iepakojuma materiālus atbilstošajos konteineros to otrreizējai pārstrādei. Palīdziet aizsargāt apkārtējo vidi un cilvēku veselību, atkārtoti pārstrādājot elektrisko un elektronisko iekārtu atkritumus.

Neizmetiet ierīces, kas apzīmētas ar šo simbolu , kopā ar mājsaimniecības atkritumiem. Nododiet izstrādājumu vietējā otrreizējās pārstrādes punktā vai sazinieties ar vietējo pašvaldību.

## MES GALVOJAME APIE JUS

Dėkojame, kad įsigijote „Electrolux“ prietaisą. Išsirinkote gaminį, kuriame atsispindi šios srities profesionalų per dešimtmečius sukauptą patirtis ir naujovės. Pažangus ir stilingas prietaisas sukurtas specialiai jums. Kad ir ką gamintumėte, kiekvieną kartą būsite tikri dėl nepriekaištingo rezultato.

Sveiki atvykę į „Electrolux“ pasaulį.

**Apsilankykite mūsų interneto svetainėje.**



Čia rasite naudojimo patarimų, brošiūrų, informacijos apie trikčių šalinimą, aptarnavimą ir remontą:

**[www.electrolux.com/support](http://www.electrolux.com/support)**



Užregistruokite savo gaminį ir naudokitės papildomomis paslaugomis:

**[www.registerelectrolux.com](http://www.registerelectrolux.com)**



Jūsų prietaisui skirtų priedų, nusidėvintųjų ir originalių atsarginių dalių ieškokite čia:

**[www.electrolux.com/shop](http://www.electrolux.com/shop)**


## KLIENTŲ APTARNAVIMAS IR TECHINĖ PRIEŽIŪRA

Visada naudokite originalias atsargines dalis.

Kreipdamiesi į įgaliotąjį aptarnavimo centrą įsitinkinkite, kad galite nurodyti šią informaciją: prietaiso modelis, PNC, serijos numeris.

Šią informaciją galima rasti techninių duomenų plokštėje.

 Įspėjimo / perspėjimo ir saugos informacija

 Bendroji informacija ir patarimai

 Aplinkosaugos informacija

Galimi pakeitimai.

## TURINYS

1. SAUGOS INFORMACIJA.....	117
2. SAUGOS INSTRUKCIJOS.....	119
3. ĮRENGIMAS.....	122
4. GAMINIO APRAŠYMAS.....	123
5. KASDIENIS NAUDOJIMAS.....	124
6. PATARIMAI.....	124
7. PRIEŽIŪRA IR VALYMAS.....	124
8. TRIKČIŲ ŠALINIMAS.....	125
9. TECHNINIAI DUOMENYS.....	125
10. ENERGIJOS EFEKTYVUMAS.....	126
11. APLINKOS APSAUGA.....	127

## 1. SAUGOS INFORMACIJA

Prieš įrengdami ir naudodami šį prietaisą, atidžiai perskaitykite pateiktą instrukciją. Gamintojas neatsako už

sužalojimus ar žalą, patirtą dėl netinkamo prietaiso įrengimo ar naudojimo. Instrukciją visada laikykite saugioje ir pasiekiamoje vietoje, kad prireikus galėtumėte pasižiūrėti.

## **1.1 Vaikų ir pažeidžiamų žmonių sauga**

- Vyresni nei 8 metų vaikai ir asmenys, turintys fizinių, jutiminių arba protinių sutrikimų, arba asmenys, kuriems trūksta patirties ar žinių, šį prietaisą gali naudoti tik prižiūrimi kitų arba gavę nurodymus, kaip saugiai naudotis prietaisu, jei jie supranta su prietaiso naudojimu susijusius pavojus. Mažesnių nei 8 metų vaikų ir asmenų, turinčių labai sunkią ir sudėtingą negalią, negalima be priežiūros leisti būti šalia prietaiso.
- Būtina visą laiką prižiūrėti vaikus ir užtikrinti, kad jie nežaistų su šiuo buitiniu prietaisu.
- Visas pakuotės medžiagas saugokite nuo vaikų ir tinkamai pašalinkite.
- DĖMESIO! Neleiskite vaikams ir naminiams gyvūnams būti šalia prietaiso jam veikiant arba vėstant. Prietaiso dalys naudojimo metu gali stipriai įkaisti.
- Jeigu prietaise yra apsaugos nuo vaikų įtaisas, jį reikia suaktyvinti.
- Vaikai be priežiūros negali atlikti prietaiso valymo ir naudotojo priežiūros darbų.

## **1.2 Bendrieji saugos reikalavimai**

- DĖMESIO: Prietaisas ir jo pasiekiamos dalys naudojimo metu įkaista. Būkite atsargūs, kad neprisiliestumėte prie kaitinimo elementų.
- DĖMESIO: Palikę veikiančią kaitlentę su riebiais patiekalais ar aliejumi galite sukelti gaisrą.
- NIEKADA negesinkite gaisro vandeniu. Vietoj to išjunkite prietaisą ir uždenkite liepsną dangčiu arba nedegančiu uždangalu.
- DĖMESIO: Prietaiso negalima jungti prie maitinimo per išorinį įjungimo įtaisą, pavyzdžiui, laikmatį ar kitą elektros

grandinę, kurią komunalinės tarnybos reguliariai įjungia ir išjungia.

- **ATSARGIAI!** Niekada nepalikite maisto gaminimo proceso be priežiūros. Greitai ruošiamą maistą būtina prižiūrėti nuolat.
- **DĖMESIO!** Gaisro pavojus: Nelaikykite daiktų ant maisto gaminimo paviršių.
- Niekada nedėkite dangčių, peilių, šaukštų ar kitų metalinių daiktų ant prietaiso viršaus, nes jie gali įkaisti.
- Nenaudokite prietaiso, prieš įrengdami jį balduose.
- Nenaudokite garintuvo prietaisui valyti.
- Jei stiklo / keramikos paviršius įtrūkęs, prietaisą išjunkite ir ištraukite kištuką iš maitinimo lizdo. Jeigu prietaisas prie maitinimo tinklo prijungtas per jungiamąją dėžutę, prietaisą nuo maitinimo tinklo atjungsite ištraukę iš dėžutės saugiklį. Bet kuriuo atveju kreipkitės į įgaliotąjį techninės priežiūros centrą.
- Jei pažeidžiamas maitinimo laidas, jį leidžiama keisti tik gamintojui, įgaliotajam klientų aptarnavimo atstovui arba panašios kvalifikacijos asmenims – kitaip gali kilti pavojus.
- **DĖMESIO!** Naudokite tik maisto gaminimo prietaiso gamintojo sukurtas arba prietaiso gamintojo instrukcijoje nurodytas tinkamas arba prietaise jau integruotas kaitlenčių apsaugas. Netinkamų apsaugų naudojimas gali sukelti nelaimingus atsitikimus.

## 2. SAUGOS INSTRUKCIJOS

### 2.1 Įrengimas



#### **ĮSPĖJIMAS!**

Šį prietaisą įrengti privalo tik kvalifikuotas asmuo.



#### **ĮSPĖJIMAS!**

Galite susižeisti arba sugadinti prietaisą.

- Nuimkite visas pakavimo medžiagas.
- Neįrenkite ir nenaudokite sugadinto prietaiso.
- Vadovaukitės su prietaisu pateiktomis įrengimo instrukcijomis.
- Būtina paisyti minimalių atstumų iki kitų prietaisų ir spintelių.
- Visada būkite atsargūs, kai perkeliate prietaisą, nes jis yra sunkus. Visada mūvėkite apsaugines pirštines ir avėkite uždarą avalynę.
- Apsaugokite nupjautus paviršius hermetiku, kad jie nuo drėgmės neišbrinktų.
- Apsaugokite prietaiso apačią nuo garų ir drėgmės.

- Jokiu būdu neįrenkite prietaiso šalia durų ir po langų. Atidarant duris ar langą, jie gali nuversti įkaitusius prikaistus nuo prietaiso.
- Jeigu prietaisas įrengiamas virš stalčių, įsitikinkite, kad tarp prietaiso apačios ir apatinio stalčiaus yra pakankamai vietos orui cirkuliuoti.
- Prietaiso apačia gali įkaisti. Po prietaisu būtina padėkite pertvarą, pagamintą iš klijuotos faneros, virtuvinės karkasinės medžiagos ar kitų nedegių medžiagų, kad nebūtų galima pasiekti jo apačios.
- Pertvara turėtų visiškai uždengti po kaitlente esančią sritį.

## 2.2 Elektros prijungimas



### ISPĖJIMAS!

Gaisro ir elektros smūgio pavojus.

- Visus elektros prijungimus privalo atlikti kvalifikuotas elektrikas.
- Prietaisą privaloma įžeminti.
- Prieš atlikdami bet kokį veiksma, įsitikinkite, kad prietaisas būtų atjungtas nuo maitinimo.
- Įsitikinkite, kad parametrai techninių duomenų plokštelėje atitinka maitinimo tinklo elektros vardinius duomenis.
- Įsitikinkite, kad prietaisas tinkamai įrengtas. Dėl laisvo ir netinkamo elektros maitinimo laido ar kištuko (jeigu taikytina) gnybtas gali įkaisti.
- Naudokite tinkamą elektros maitinimo laidą.
- Pasirūpinkite, kad elektros laidai nesusipainiotų.
- Įsitikinkite, kad įrengta apsauga nuo elektros smūgių.
- Ant laido naudokite įtempimą mažinančią sąvaržą.
- Įsitikinkite, kad maitinimo laidas ar kištukas (jeigu taikytina) neliestų karšto prietaiso ar karštų prikaistuvų, kai jungiate prietaisą į netoli esančius lizdus.
- Nenaudokite daugiakanalių adapterių ir ilginamųjų laidų.
- Būkite atsargūs, kad nesugadintumėte elektros kištuko (jeigu taikytina) ar maitinimo laido. Kreipkitės į mūsų įgaliotąjį techninės priežiūros centrą arba elektriką,

jeigu reikia pakeisti pažeistą maitinimo laidą.

- Dalių su įtampa ir izoliuotų dalių apsauga nuo smūgių turi būti pritvirtinta taip, kad nebūtų galima nuimti be įrankių.
- Elektros kištuką į tinklo lizdą junkite tik tuomet, kai visiškai pabaigsite įrengimą. Įsitikinkite, kad įrengus prietaisą, elektros laido kištuką būtų lengva pasiekti.
- Jeigu tinklo lizdas atsilaisvinęs, nejunkite kištuko.
- Norėdami išjungti prietaisą, netraukite už maitinimo laido. Visada traukite paėmę už elektros kištuko.
- Naudokite tik tinkamus izoliavimo įtaisus: liniją apsaugančius automatinius jungiklius, saugiklius (įsukami saugikliai turi būti išimami iš jų laikiklio), įžeminimo nuotėkio atjungiamuosius įtaisus ir kontaktorius.
- Elektros instaliacija privalo turėti izoliavimo įtaisą, kuris leidžia atjungti prietaisą nuo maitinimo tinklo ties visais poliais. Tarp izoliavimo įtaiso kontaktų turi būti mažiausiai 3 mm pločio tarpelis.

## 2.3 Naudojimas



### ISPĖJIMAS!

Pavojus susižaloti, nudegti arba gauti elektros smūgį.

- Prieš naudodami pirmą kartą, išimkite visas pakuotės medžiagas, nuimkite etiketes ir apsauginę plėvelę (jeigu taikytina).
- Šis buitinis prietaisas skirtas naudoti tik vidaus sąlygomis.
- Nebandykite pakeisti šio prietaiso techninių savybių.
- Pasirūpinkite, kad ventiliacinės angos nebūtų užblokuotos.
- Nepalikite įjungto prietaiso be priežiūros.
- Kiekvieną kartą panaudoję prietaisą, kaitvietę išjunkite.
- Nedėkite stalo įrankių arba prikaistuvų dangčių ant kaitviečių. Jie gali įkaisti.
- Nelieskite prietaiso drėgnomis rankomis arba jei prietaisas liečiasi su vandeniu.
- Nenaudokite prietaiso, kaip darbinio paviršiaus ar daiktams laikyti.
- Pastebėję prietaiso korpusę įtrūkimą, nedelsiant atjunkite prietaisą nuo elektros maitinimo tinklo. Tai būtina siekiant išvengti elektros smūgio pavojaus.



- Kai dedate maistą į karštą aliejų, aliejus gali ištikėti.



### **ĮSPĖJIMAS!**

Gaisro ir sproginimo pavojus

- Kaitinant riebalus arba aliejų gali kilti lengvai užsiliepsnojančių garų. Ruošdami maistą saugokite riebalus ir aliejų nuo atviros liepsnos ar įkaitusių daiktų.
- Įkaitusio aliejaus išskiriami garai gali sukelti sprogimą.
- Įkaitintas naudotas aliejus su maisto likučiais gali užsidegti esant žemesnei temperatūrai, nei pirmą kartą naudojamas aliejus.
- Šalia prietaiso, į prietaisą arba ant jo nedėkite degių medžiagų arba degiomis medžiagomis sudrėkintų daiktų.



### **ĮSPĖJIMAS!**

Pavojus sugadinti prietaisą.

- Nestatykite įkaitusių prikaistuvų ant valdymo skydelio.
- Nedėkite karšto prikaistuvio dangčio ant kaitlentės stiklinio paviršiaus.
- Neleiskite virti tušties prikaistuviams.
- Būkite atsargūs, kad ant prietaiso nenukristų daiktai arba prikaistuviai. Jie gali pažeisti paviršių.
- Nejunkite kaitviečių, nepastatę ant jų prikaistuvų arba ant jų pastatę tuščius prikaistuvius.
- Nedėkite ant prietaiso aliuminio folijos.
- Prikaistuviai iš ketaus, aliuminio arba su sugadintais dugnais gali subraižyti stiklą / stiklo keramiką. Jeigu tokius indus nuo maisto gaminimo paviršiaus reikia patraukti, juos visada kelkite, o ne traukite.
- Šis prietaisas yra skirtas tik maistui gaminti. Jį draudžiama naudoti kitais tikslais, pavyzdžiui, patalpai šildyti.

## **2.4 Priežiūra ir valymas**



### **ĮSPĖJIMAS!**

Nepašalinkite mygtukų, rankenėlių ar tarpiklių nuo valdymo skydelio. Į prietaisą gali patekti vandens ir jį sugadinti.

- Reguliariai valykite prietaisą, kad apsaugotumėte paviršių nuo nusidėvėjimo.
- Prieš pradėdami valyti, išjunkite prietaisą ir leiskite jam atvėsti
- Prietaisui valyti nenaudokite garų ir nepurškite vandeniu.
- Valykite prietaisą drėgna, minkšta šluoste. Naudokite tik neutralius ploviklius. Nenaudokite šveičiamųjų produktų, šveitimo kempinių, tirpiklių arba metalinių grandyklų.

## **2.5 Paslauga**

- Dėl prietaiso remonto kreipkitės į įgaliotąjį techninės priežiūros centrą. Naudokite tik originalias dalis.
- Šio gaminio viduje esanti (-čios) lemputė (-ės) ir atskirai parduodamos atsarginės lemputės: Šios lemputės turi atlaikyti ekstremalias fizines sąlygas buitiniuose prietaisuose, pavyzdžiui, temperatūra, vibraciją, drėgmę, arba yra skirtos informuoti apie prietaiso veikimo būseną. Jos nėra skirtos naudoti kitoms paskirtims ir netinka patalpoms apšviesti.

## **2.6 Išmetimas**

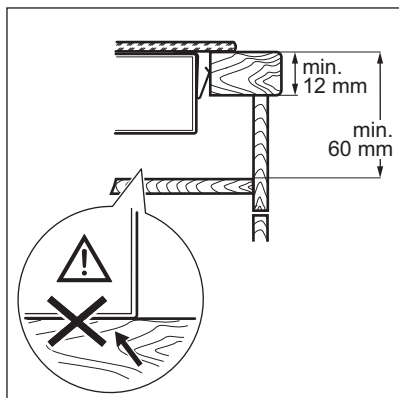


### **ĮSPĖJIMAS!**

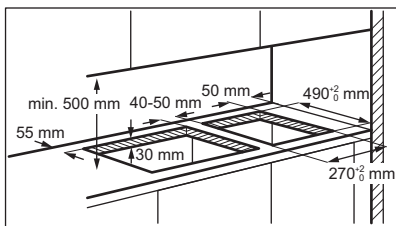
Pavojus susižeisti arba uždusti.

- Norėdami sužinoti, kaip tinkamai utilizuoti prietaisą, susisiekite su atitinkama savivaldybės įstaiga.
- Ištraukite maitinimo laido kištuką iš maitinimo tinklo lizdo.
- Nupjaukite maitinimo laidą arti prietaiso ir pašalinkite jį.





### 3.6 Daugiau nei vienos kaitlentės montavimas



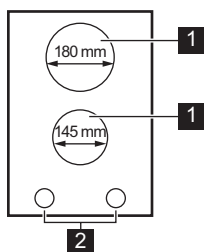
 **YouTube** [www.youtube.com/electrolux](http://www.youtube.com/electrolux)  
[www.youtube.com/aeg](http://www.youtube.com/aeg)

How to install your Electrolux  
Domino Hob - Worktop installation



## 4. GAMINIO APRAŠYMAS

### 4.1 Kaitinimo paviršių planas



- 1** Kaitvietė
- 2** Reguliavimo rankenėlė

### 4.2 Valdymo rankenėlė

Simbolis	Funkcija
0	Padėtis „Išjungta“
1 - 6	Kaitros parinktys

### 4.3 Liekamasis karštis



#### **ĮSPĖJIMAS!**

Kyla pavojus nusideginti dėl likutinio kaitvietės karščio.

## 5. KASDIENIS NAUDOJIMAS



### ĮSPĖJIMAS!

Žr. saugos skyrius.

### 5.1 Kaitinimo lygis

Norėdami nustatyti arba pakeisti kaitinimo lygį, pasukite rankenėlę į tinkamą kaitinimo

lygį. Norėdami išjungti, pasukite rankenėlę į išjungimo padėtį.

## 6. PATARIMAI



### ĮSPĖJIMAS!

Žr. saugos skyrius.

### 6.1 Indai

- Indo dugnas turi būti kuo storesnis ir kuo lygesnis.
- Ant kaitlentės dėkite tik švaraus ir sauso dugno indus.
- Nestumdyskite ir netrinkite indų ant keramikos stiklo, nes galite jį subraižyti.



Emale dengto plieno, aliuminio arba vario dugno indai gali pakeisti keramikos stiklo paviršiaus spalvą.

### 6.2 Elektrinės kaitvietės

#### Kaitinimo lygis: Paskirtis:

1	Šilto maisto išlaikymas
2	Itin lėtas virimas
3	Lėtas virimas
4	Kepimas / skrudinimas
5	Užvirinimas
6	Užvirinimas / greitas apkepinimas / kepimas riebaluose

## 7. PRIEŽIŪRA IR VALYMAS



### ĮSPĖJIMAS!

Žr. saugos skyrius.

### 7.1 Bendra informacija

- Kiekvieną kartą pasinaudoję virykle išvalykite ją.
- Visada naudokite prikaistuvius švariais dugnais.
- Įbrėžimai ar tamsios dėmės ant paviršiaus neturi įtakos viryklės veikimui.
- Naudokite specialias viryklei valyti tinkamas priemones.
- Naudokite specialiai stiklui valyti skirtą grandiklį.



Nuiminti rankenėlių nerekomenduojame.

### 7.2 Kaitlentės valymas

- **Nuvalykite nedelsdami:** išsilydžiusį plastiką, plastmasinę plėvelę, cukrų ir maistą su cukrumi, nes kitaip nešvarumai gali pakenkti kaitlentei. Būkite atsargūs, kad išvengtumėte nudegimų. Naudokite specialią grandyklę, kurią prie stiklo paviršiaus pridėkite smailiu kampu ir stumkite ašmenis paviršiumi.
- **Kaitlentei pakankamai ataušus pašalinkite:** kalkių nuosėdas, vandens dėmes, riebalų dėmes, metalo spalvos dėmes. Kaitlentę valykite drėgnu skudurėliu ir nešveičiamąja valymo priemone. Nuvalę kaitlentę, ją nusauskinkite minkštu audiniu.
- **Pašalinkite blizgančias metalo atspalvio dėmes:** naudokite vandens ir

acto tirpalą ir valykite stiklo paviršių šluoste.

## 8. TRIKČIŲ ŠALINIMAS



### ĮSPĖJIMAS!

Žr. saugos skyrius.

### 8.1 Ką daryti, jeigu...

Triktis	Galima priežastis	Veiksmai
Kaitlentės nepavyksta įjungti arba valdyti.	Kaitlentė neprijungta arba netinkamai prijungta prie elektros tinklo.	Patikrinkite, ar kaitlentė tinkamai prijungta prie elektros tinklo.
	Perdegė saugiklis.	Patikrinkite, ar veikimas sutriko dėl saugiklio. Jeigu saugiklis pakartotinai perdega, kreipkitės į kvalifikuotą elektriką.

### 8.2 Jei tinkamo sprendimo nerandate...

Jeigu patiems problemos pašalinti nepavyksta, kreipkitės į prekybos atstovą arba įgaliojantį techninės priežiūros centrą. Nurodykite vardinėje lentelėje pateiktus duomenis. Taip pat nurodykite trijų skaičių kodą, kurį rasite stiklo keramikos paviršiaus kampe. Pasirūpinkite, kad kaitlentę

naudotumėte tinkamai. Jei prietaiso techninės priežiūros ar remonto darbus atliks ne įgaliojantis techninės priežiūros atstovas, papildomi darbai bus mokami, net ir garantinio aptarnavimo laikotarpiu. Informacija apie garantinį laikotarpį ir įgaliojtuosius techninės priežiūros centrus pateikta garantinėje knygelėje.

## 9. TECHNINIAI DUOMENYS

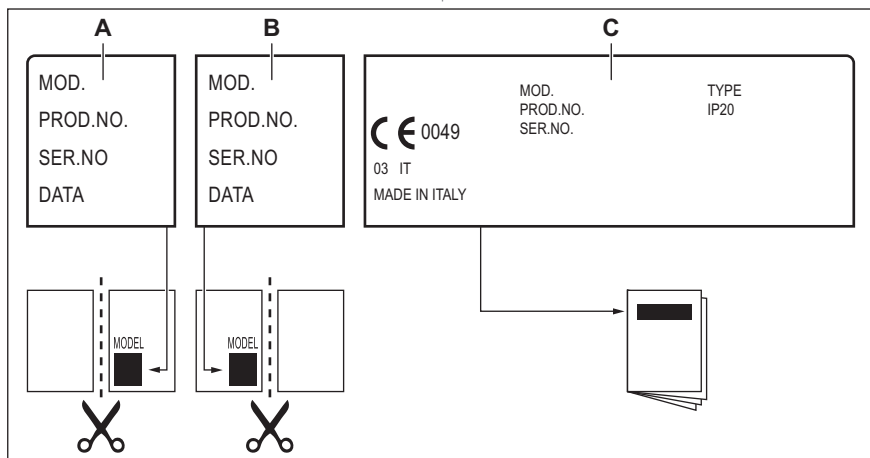
### 9.1 Kaitviečių techniniai duomenys

Kaitvietė	Vardinė galia (didžiausias kaitinimo lygis) (W)	Kaitvietės skersmuo (mm)
Vidurinė priekinė	1200	145
Vidurinė galinė	1700	180

Norėdami pasiekti optimalių maisto gaminimo rezultatų, naudokite prikaistuvius, kurių skersmuo ne didesnis nei kaitvietės skersmuo.

## 9.2 Priedų maišelyje pristatytos etiketės

Prikljuokite lipnias etiketes kaip parodyta toliau:



- A. Prikljuokite ją ant garantijos kortelės ir šią dalį atsiųskite (jeigu taikytina).
- B. Prikljuokite ją ant garantijos kortelės ir šią dalį išsaugokite (jeigu taikytina).
- C. Prikljuokite ją ant instrukcijos brošiūros.

## 10. ENERGIJOS EFEKTYVUMAS

### 10.1 Informacija apie gaminį\*

Modelio identifikatorius	EHF3920BOK	
Kaitlentės tipas	Integruota kaitlentė	
Kaitviečių skaičius	2	
Kaitinimo technologija	Šildytuvus	
Apskritų kaitviečių skersmuo (Ø)	Vidurinė priekinė	14,5 cm
	Vidurinė galinė	18,0 cm
Kaitvietės energijos sąnaudos (EC electric cooking)	Vidurinė priekinė	194,9 Wh/kg
	Vidurinė galinė	194,9 Wh/kg
Kaitlentės energijos sąnaudos (EC electric hob)	194,9 Wh/kg	

\* Europos sąjungai, vadovaujantis EU 66/2014. Baltarusijai, vadovaujantis STB 2477-2017, A priedas. Ukrainai, vadovaujantis 742/2019.


## 10.2 Energijos taupymas

Jeigu laikysitės toliau pateiktų patarimų, kasdien gamindami galėsite sutaupyti energijos.

- Kai šildote vandenį, naudokite jo tik tiek, kiek reikia.
- Jeigu įmanoma, prikaistuvius uždenkite dangčiais.
- Uždėkite prikaistuvį, prieš įjungdami kaitvietę.

- Prikaistuvio dugnas turi būti tokio paties skersmens kaip ir kaitvietė.
- Mažesnius prikaistuvius dėkite ant mažesnių kaitviečių.
- Uždėkite prikaistuvį tiesiai ant kaitvietės vidurio.
- Maistui pašildyti arba išlydyti naudokite likusį karštį.

## 11. APLINKOS APSAUGA

Atiduokite perdirbti medžiagas, pažymėtas šiuo ženklu . Išmeskite pakuotę į atitinkamą atliekų surinkimo konteinerį, kad ji būtų perdirbta. Padėkite saugoti aplinką bei žmonių sveikatą ir surinkti bei perdirbti elektros ir elektronikos prietaisų atliekas.

Neišmeskite šiuo ženklu  pažymėtų

prietaisų kartu su kitomis buitinėmis atliekomis. Atiduokite šį gaminį į vietos atliekų surinkimo punktą arba susisiekite su vietos savivaldybe dėl papildomos informacijos.

## MÖTLEME TEILE

Täname, et ostsite Electroluxi seadme. Olete valinud toote, mille loomisel on rakendatud pikaaegset professionaalset kogemust ja innovatsiooni. Geniaalne ja stiilne, loodud teile mõeldes. Selle kasutamisel võite olla alati kindel, et tulemused on suurepärased.

Tere tulemast Electroluxi kasutajate hulka.

### Külastage meie veebisaiti, kust leiate



nõuandeid, brošüüre, tõrkeotsingu, remondi- ja hooldusteavet:

[www.electrolux.com/support](http://www.electrolux.com/support)



Paremaks teeninduseks registreerige oma toode aadressil

[www.registerelectrolux.com](http://www.registerelectrolux.com)



Ostke oma seadmele lisaseadmeid, tarvikuid ja originaalvaruosi aadressil

[www.electrolux.com/shop](http://www.electrolux.com/shop)


## KLIENDITEENINDUS JA HOOLDUS

Alati tuleb kasutada originaalvaruosi.

Volitatud teeninduskeskusesse pöördumisel peaksid teil olema varuks alljärgnevad

andmed: mudel, osanumber (PNC), seerianumber.

Teave on toodud andmeplaadil.

 Hoiatused / Ettevaatusabinõud – ohutusteave

 Üldine teave ja vihjed

 Keskkonnateave

Jäetakse õigus teha muutusi.

## SISUKORD

1. OHUTUSINFO.....	128
2. OHUTUSJUHISED.....	130
3. PAIGALDAMINE.....	132
4. TOOTE KIRJELDUS.....	134
5. IGAPÄEVANE KASUTAMINE.....	134
6. VIHJEID JA NÄPUNÄITEID.....	135
7. PUHASTUS JA HOOLDUS.....	135
8. VEAOTSING.....	135
9. TEHNILISED ANDMED.....	136
10. ENERGIATÕHUSUS.....	137
11. JÄÄTMEKÄITLUS.....	138

## 1. OHUTUSINFO

Enne seadme paigaldamist ja kasutamist lugege kaasasolev juhend tähelepanelikult läbi. Tootja ei võta endale vastutust vigastuste või varalise kahju eest, mis on tingitud



paigaldusnõuete eiramisest või väärast kasutusest. Hoidke kasutusjuhend kindlas kohas alles, et saaksite seda vajadusel vaadata.

## **1.1 Laste ja haavatavate inimeste turvalisus**

- Vähemalt 8-aastased ja vanemad lapsed ning piiratud füüsiliste, sensoorsete või vaimsete võimete või väheste kogemuste ja teadmistega isikud tohivad seda seadet kasutada järelevalve all või kui neid on õpetatud seadet ohutul viisil kasutama ja mõistma kaasnevaid ohte. Lapsed vanuses kuni 8 aastat ning raske või väga keerulise puudega isikud tuleks hoida seadmest eemal, kui neil ei saa pidevalt silma peal hoida.
- Tuleb jälgida, et lapsed ei mängiks seadmega ega.
- Hoidke pakendimaterjal lastele kättesaamatus kohas ja kõrvaldage see nõuetekohaselt.
- HOIATUS: Hoidke lapsed ja lemmikloomad seadmest eemal, kui see töötab või jahtub. Kasutamisel võivad juurdepääsetavad osad minna kuumaks.
- Kui seadmel on olemas laste ohutusseade, tuleks see sisse lülitada.
- Lapsed ei tohi ilma järelvalveta seadet puhastada ega hooldustoiminguid läbi viia.

## **1.2 Üldine ohutus**

- HOIATUS: Seade ja selle juurde kuuluvad osad lähevad kasutamise ajal kuumaks. Olge ettevaatlik, et te kütteelemente ei puutuks.
- HOIATUS: Kui kasutate toiduvalmistamisel kuuma rasva või õli ja jätate pliidi järelvalveta, võib see olla ohtlik ja põhjustada tulekahju.
- Ärge KUNAGI üritage kustutada tuld veega, vaid lülitage seade välja ja katke leek näiteks kaane või tulekustutustekiga.
- HOIATUS: Seadet ei tohi kasutada välise lülitusseadme kaudu (nt taimer) ega ühendada vooluvõrku, mis regulaarselt sisse ja välja lülitub.

- **ETTEVAATUST:** Valmival toidul tuleb silm peal hoida. Lühiajalise toiduvalmistamise puhul ei tohi pliidi juurest lahkuda.
- **HOIATUS:** Tuleoht: Ärge hoidke keeduväljadel mingeid esemeid.
- Metallesemeid – nuge, kahvleid, lusikaid ega potikaasi ei tohiks pliidi pinnale panna, sest need võivad kuumeneda.
- Ärge kasutage seadet enne, kui see on köögimööblisse sisse ehitatud.
- Ärge kasutage seadme puhastamiseks aurupuhastit.
- Kui klaaskeraamiline/klaasist pind on mõranenud, lülitage seade välja ja eemaldage vooluvõrgust. Juhul, kui seade on vooluvõrku ühendatud harukarbi abil, lülitage seade elektrivõrgust välja pealüliti kaudu. Mõlemal juhul võtke ühendust teeninduskeskusega.
- Kui toitejuhe on vigastatud, laske see ohutuse mõttes välja vahetada tootja, volitatud hooldekeskuse või lihtsalt kvalifitseeritud isiku poolt.
- **HOIATUS:** Kasutage ainult selliseid pliidi kaitsevõresid, mis on seadme tootja poolt valmistatud või tootja poolt heaks kiidetud ja kasutusjuhendis loetletud, või seadmega kaasasolevaid pliidi kaitsevõresid. Ebasobiva kaitsevõre kasutamine võib kaasa tuua õnnetuse.

## 2. OHUTUSJUHISED

### 2.1 Paigaldamine



#### **HOIATUS!**

Seadet tohib paigaldada ainult kvalifitseeritud tehnik.



#### **HOIATUS!**

Seadme vigastamise või kahjustamise oht!

- Eemaldage kõik pakkematerjalid.
- Kahjustatud seadet ei tohi paigaldada ega kasutada.
- Järgige seadmega kaasasolevaid paigaldusjuhiseid.

- Tagage minimaalne kaugus muudest seadmetest ja mööbliesemetest.
- Kuna seade on raske, olge selle liigutamisel ettevaatlik. Kasutage töökindaid ja kinnisi jalanõusid.
- Kaitske löikepindu niiskuskahjustuste eest sobiva tihendi abil.
- Kaitske seadme põhja auru ja niiskuse eest.
- Ärge paigaldage seadet ukse kõrvale ega akna alla. Vastasel korral võivad tulised anumad ukse või akna avamisel seadme pealt maha kukkuda.
- Kui paigaldate seadme sahtlite kohale, siis jälgige, et seadme põhja ja ülemise

sahtli vahele jääks piisavalt ruumi õhuringluse jaoks.

- Seadme põhi võib minna kuumaks. Seadme alla tuleb kindlasti paigaldada vineerist, tööpinna- või muust mittesüttivast materjalist eraldusplaat, et takistada juurdepääsu seadme alaosale.
- Eralduspaneel peab pliidi alla jääva ala täielikult katma.

## 2.2 Elektriühendus



### HOIATUS!

Tulekahju- ja elektrilöögioht!

- Kõik elektriühendused peab teostama kvalifitseeritud elektrik.
- Seade peab olema maandatud.
- Enne mis tahes toimingute läbiviimist veenduge, et seade on vooluvõrgust eemaldatud.
- Kontrollige, kas andmeplaadil olevad elektriandmed vastavad teie kohaliku vooluvõrgu näitajatele.
- Veenduge, et seade on õigesti paigaldatud. Lahtiste või valede toitejuhtmete või -pistikute kasutamisel võib kontakt minna tuliseks.
- Kasutage õiget elektrijuhet.
- Vältige elektrijuhtmete sassimineku.
- Veenduge, et paigaldatud on koormuskaitse.
- Paigaldage juhtmetele kaabliklambrid.
- Veenduge, et toitejuhe või -pistik ei puutuks vastu kuuma seadet või toidunõusid, kui te seadme lähedalasuvasse pistikupesasse ühendate.
- Ärge kasutage mitmikpistikuid ega pikenduskaableid.
- Veenduge, et te ei vigastaks toitepistikut ega -juhet. Vigastatud toitejuhtme vahetamiseks võtke ühendust volitatud teeninduskeskusega.
- Isoleeritud ja isoleerimata osad peavad olema kinnitatud nii, et neid ei saaks ilma tööriistadeta eemaldada.
- Ühendage toitepistik seinakontakti alles pärast paigalduse lõpuleviimist. Veenduge, et pärast paigaldamist säilib juurdepääs toitepistikule.
- Kui seinakontakt logiseb, ärge pange sinna toitepistikut.

- Seadet vooluvõrgust eemaldades ärge tõmmake toitekaablist. Võtke alati kinni pistikust.
- Kasutage ainult õigeid isolatsiooniseadiseid: kaitselüliteid, kaitsmeid (keermega kaitsmed tuleb pesast eemaldada), maalekkevoolu kaitsmeid ja kontaktoreid.
- Seadme ühendus vooluvõrguga tuleb varustada mitmepooluselise isolatsiooniseadisega. Isolatsiooniseadise lahutatud kontaktide vahemik peab olema vähemalt 3 mm.

## 2.3 Kasutamine



### HOIATUS!

Vigastuse, põletuse või elektrilöögioht!

- Enne esimest kasutamist eemaldage kogu pakend, sildid ja kaitsekile (kui see on olemas).
- See seade on ette nähtud ainult koduseks (siseruumides) kasutamiseks.
- Ärge muutke seadme tehnilisi omadusi.
- Veenduge, et ventilatsioonivad pole kinni.
- Ärge jätke töötavat seadet järelvalveta.
- Lülitage keeduväli pärast kasutamist alati asendisse "väljas".
- Ärge pange söögiriistu või potikaasi keeduväljale. Need võivad minna kuumaks.
- Ärge kasutage seadet märgade kätega ega veega kokku puutudes.
- Ärge kasutage seadet töö- ega hoiupinnana.
- Kui seadme pinda peaks tekkima mõra, tuleb seade kohe vooluvõrgust eemaldada. See hoiab ära elektrilöögi.
- Kui panete toiduained kuuma õlisse, võib see hakata pitsima.



### HOIATUS!

Plahvatus- või tulekahju oht!

- Kuumutamisel võivad rasvad ja õlid eraldada süttivaid aure. Kui kasutate toiduvalmistamiseks rasva või õli, vältige nende kokkupuudet leekide või kuumutatud esemetega.
- Väga kuumast õlist eralduvad aaurud võivad põhjustada iseeneslikku süttimist.

- Toidujääke sisaldav kasutatud õli võib põhjustada tulekahju madalamal temperatuuril, kui esmakordselt kasutatav õli.
- Ärge pange tuleohtlikke või tuleohtliku ainega märgunud esemeid seadmesse, selle lähedusse ega peale.



#### **HOIATUS!**

Seadme vigastamise või kahjustamise oht!

- Ärge pange tuliseid nõusid juhtpaneelile.
- Ärge pange pange kuumu nõukaant pliidi klaaspinnale.
- Ärge laske keedunõudel kuivaks keeda.
- Olge ettevaatlik ega laske nõudel ega muudel esemetel seadmele kukkuda. Pliidi pind võib puruneda.
- Ärge lülitage keeduvälju sisse tühjade nõudega või ilma nõudeta.
- Ärge asetage seadmele alumiiniumfooliumit.
- Malmist, alumiiniumist või katkise põhjaga nõud võivad klaas- või klaaskeraamilist pinda kriimustada. Kui teil on vaja nõusid pliidi liigutada, tõstke need alati üles.
- See seade on ette nähtud ainult toiduvalmistamiseks. Muul otstarbel, näiteks ruumide soojendamiseks, seda kasutada ei tohi.

### **2.4 Puhastus ja hooldus**



#### **HOIATUS!**

Ärge eemaldage juhtpaneeli küljest mingeid nuppe ega tihendeid. Vastasel korral võib vesi seadmesse sattuda ja seda kahjustada.

- Puhastage seadet regulaarselt, et vältida pinnamaterjali kahjustumist.
- Lülitage seade välja ja laske sel enne puhastamist jahtuda.
- Ärge kasutage seadme puhastamiseks vee- või aurupihustit.
- Puhastage seadet pehme niiske lapiga. Kasutage ainult neutraalseid pesuaineid. Ärge kasutage abrasiivseid tooteid, küürimisšvamme, lahusteid ega metallist esemeid.

### **2.5 Hooldus**

- Seadme parandamiseks võtke ühendust volitatud teeninduskeskusega. Kasutage ainult originaalvaruosi.
- Teave selles seadmes olevate lampide ja eraldi müüdavate varulampide kohta: Need lambid taluvad ka koduste majapidamisseadmete äärmuslikumaid tingimusi, näiteks temperatuuri, vibratsiooni, niiskust või on mõeldud edastama infot seadme tööoleku kohta. Need pole mõeldud kasutamiseks muudes rakendustes ega sobi ruumide valgustamiseks.

### **2.6 Kõrvaldamine**



#### **HOIATUS!**

Lämbumis- või vigastusoht!

- Seadme nõuetekohase kõrvaldamise kohta saate täpsemaid juhiseid kohalikust omavalitsusest.
- Eemaldage seade vooluvõrgust.
- Lõigake elektrijuhe seadme lähedalt läbi ja visake ära.

## **3. PAIGALDAMINE**



#### **HOIATUS!**

Vt ohutust käsitlevaid peatükke.

### **3.1 Enne paigaldamist**

Enne pliidi paigaldamist kirjutage üles järgmised andmesildil olevad andmed. Andmesilt asub seadme korpuse põhjal.

Mudel .....

Tootenumber

(PNC) .....

Seerianumber .....

### **3.2 Integreeritud pliidid**

Integreeritud pliiti võib kasutada alles pärast seda, kui see on paigutatud sobivasse standardile vastavasse sisseehitatud mööblisse ja tööpinda.

### 3.3 Ühenduskaabel

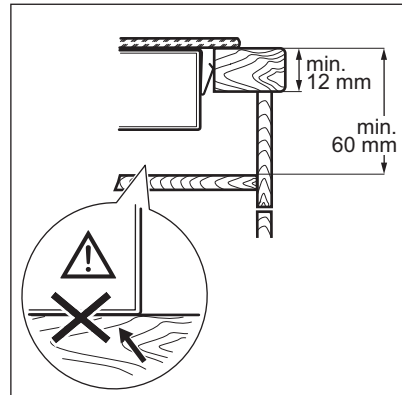
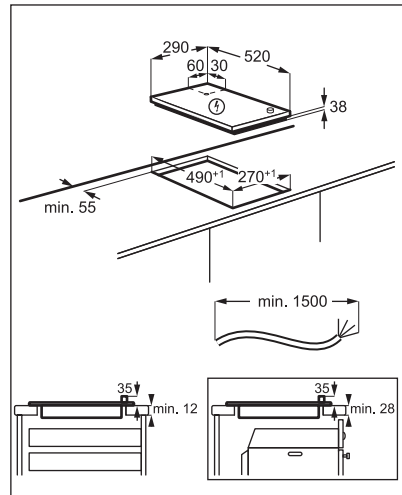
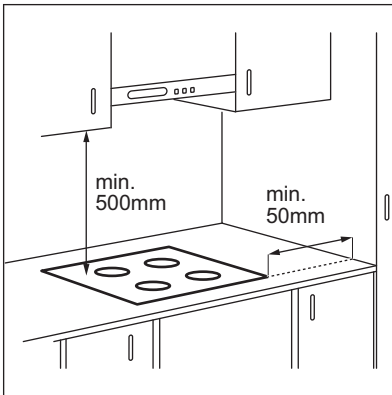
- Pliit tarnitakse koos ühendusjuhtme.
- Kui toitekaabel on kahjustunud, tuleb see asendada kaablitüübiga: H05V2V2-F, mis talub 90 °C või kõrgemat temperatuuri. Võtke ühendust volitatud teeninduskeskusega. Ühenduskaabli tohib välja vahetada ainult kvalifitseeritud elektrik.

### 3.4 Tihendi kinnitamine - Paigaldamine tööpinnale

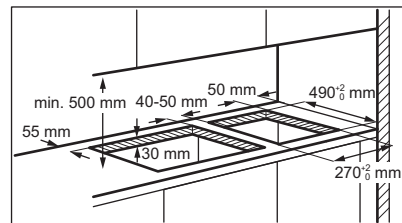
1. Puhastage tööpind väljalõigatud osa ümber.
2. Kinnitage pliidi alumise serva küljes olev 2x6 mm tihendiriba klaaskeraamilise pinna välmise serva ümber. Ärge seda venitage. Veenduge, et tihendiriba otsad jääksid pliidi ühe külgserva keskele.
3. Tihendiriba lõikamisel lisage paar millimeetrit varupikkust.
4. Ühendage tihendiriba otsad.

### 3.5 Monteerimine

Kui paigaldate pliidi õhupuhaсти alla, vaadake õhupuhaсти paigaldusjuhistest, milline peab olema seadmete vaheline minimaalne kaugus.



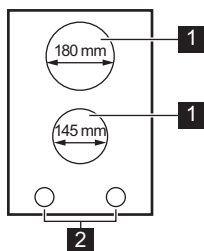
### 3.6 Rohkem kui ühe pliidi paigaldamine





## 4. TOOTE KIRJELDUS

### 4.1 Keeduala paigutus



- 1** Keeduväli
- 2** Juhtnupud

### 4.2 Juhtnupp

Sümbol	Funktsioon
0	Väljas-asend
1 - 6	Kuumusastmed

### 4.3 Jääkuumus



**HOIATUS!**  
Põletusohut jääkuumuse tõttu.

## 5. IGAPÄEVANE KASUTAMINE



**HOIATUS!**  
Vt ohutust käsitlevaid peatükke.

### 5.1 Soojusaste

Soojusastme valimiseks või muutmiseks keerake nupp sobivale soojusastmele.

Väljalülitamiseks keerake nupp väljas-asendisse.

## 6. VIHJEID JA NÄPUNÄITEID



### HOIATUS!

Vt ohutust käsitlevaid peatükke.

### 6.1 Keeduõud

- Keedunõu põhi peaks olema võimalikult paks ja tasane.
- Enne panni asetamist pliidiplaadile kontrollige, kas selle põhi on kuiv ja puhas.
- Kriimustuste vältimiseks ärge libstage ega hõõruge nõusid keraamilisel klaasil.



Emailitud terasest ja alumiinium- või vaskpõhjaga nõud võivad tekitada klaaskeraamilisele pinnale värvimuutusi.

### 6.2 Küpsetusrakenduste näited

#### Soojus- Kasutamise aste:

1	Soojashoidmine
2	Kerge kuumutamine
3	Tasasel tulel keetmine
4	Praadimine/pruunistamine
5	Keema tõusmine
6	Keema tõusmine / kiire praadimine / põhjalik praadimine

## 7. PUHASTUS JA HOOLDUS



### HOIATUS!

Vt ohutust käsitlevaid peatükke.

### 7.1 Üldteave

- Puhastage pliiti iga kord pärast kasutamist.
- Kasutage alati puhta põhjaga nõusid.
- Kriimustused või tumedad plekid pinnal ei mõjuta kuidagi pliidi tööd.
- Kasutage pliidi pinna jaoks sobivat puhastusvahendit.
- Kasutage spetsiaalse klaasikaabitsat.



Nuppude eemaldamine ei ole soovitatav.

### 7.2 Pliidi puhastamine

- **Eemaldage kohe:** sulav plast, plastkile, suhkur ja suhkrut sisaldavad plekid,

vastasel korral võib kinnikõrbenud mustus pliiti kahjustada. Püüdke vältida toidu pinnale kõrbemist. Asetage spetsiaalne kaabits õige nurga all klaaspinnale ja liigutage selle tera pliidi pinnal.

- **Eemaldage, kui pliit on piisavalt jahtunud:** katlakiviplekid, veeplekid, rasvuplekid, läikivad metased plekid. Puhastage pliiti niiske lapi ja mitteabrsiivse pesuainega. Pärast puhastamist kuivatage pliiti pehme lapiga.
- **Metalse läikega pleki eemaldamine:** kasutage vee ja äädika lahust ja puhastage selles niisutatud lapiga pliidipinda.

## 8. VEAOTSING



### HOIATUS!

Vt ohutust käsitlevaid peatükke.

## 8.1 Mida teha, kui...

Probleem	Võimalik põhjus	Kõrvaldamise abinõu
Pliidiplaati ei saa käivitada või kasutada.	Pliidiplaat ei ole elektrivõrku ühendatud või ühendus ei ole korralik.	Kontrollige, kas pliidiplaat on õigesti elektrivõrku ühendatud.
	Kaitse on vallandunud.	Veenduge, et tõrke põhjuseks on kaitse. Kui kaitse korduvalt uuesti vallandub, võtke ühendust elektrikuga.

## 8.2 Kui te ei leia lahendust ...

Kui te ei suuda probleemile ise lahendust leida, siis võtke ühendust edasimüüja või teeninduskeskusega. Esitage andmed andmesildilt. Esitage ka kolmetäheline klaaskeraamika kood (see asub klaaspinna

nurgas). Veenduge, et kasutasite pliidiplaati õigesti. Vastasel juhul on hooldustehniku või edasimüüja poolt teostatav hooldus tasuta ka garantiiaja jooksul. Teavet garantiiperioodi ja volitatud hoolduskeskuste kohta leiate garantiivihikust.

## 9. TEHNILISED ANDMED

### 9.1 Keedualade tehnilised näitajad

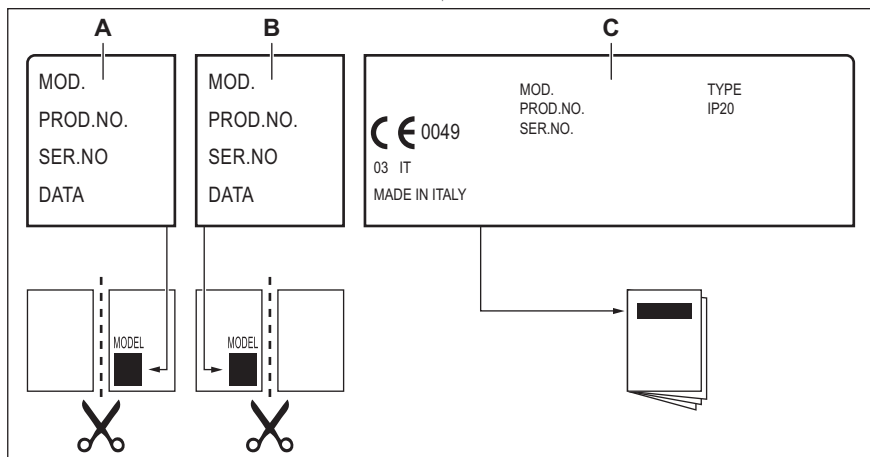
Keeduväli	Nimivõimsus (maks. soojusaste) [W]	Keeduvälja diameeter [mm]
Keskmine eesmine	1200	145
Keskmine tagumine	1700	180

Parimate tulemuste saamiseks kasutage nõusid, mille läbimõõt ei ole keeduvälja läbimõõdust suurem.



## 9.2 Tarvikute kotis olevad sildid

Kleepige iseliimuvad sildid nii, nagu allpool näha:



- A. Kleepige see garantiikaardile ja saatke see osa ära (kui see on olemas).  
B. Kleepige see garantiikaardile ja hoidke see alles (kui see on olemas).

- C. Kleepige see juhistebrošuurile.

## 10. ENERGIATÕHUSUS

### 10.1 Tooteteave\*

Mudeli tunnus	EHF3920BOK	
Pliidi tüüp	Sisseehitatud pliit	
Keedualade arv	2	
Kuumutustehnoloogia	Kiirgekuumusallikas	
Ringikujuliste keedualade läbimõõt (Ø)	Keskmine eesmine	14,5 cm
	Keskmine tagumine	18,0 cm
Energiatarbimine keeduvälja kohta (EC electric cooking)	Keskmine eesmine	194,9 Wh/kg
	Keskmine tagumine	194,9 Wh/kg
Pliidi energiatarbimine (EC electric hob)	194,9 Wh/kg	

\* Euroopa Liidu puhul vastavalt EU 66/2014. Valgevene Vabariigi puhul vastavalt standardile STB 2477-2017, liisa A. Ukraina puhul vastavalt määrusele 742/2019.

EN 60350-2 - Kodumajapidamises kasutatavad elektrilised toiduvalmistusseadmed – 2. osa: Pliidid – Toimivuse mõõtemetodid


## 10.2 Energiasääst

Järgmisi nõuandeid järgides saate igapäevaselt energiat kokku hoida.

- Vett kuumutades piirduge vajaliku kogusega.
- Võimalusel pange keedunõule alati kaas peale.
- Enne keeduvälja sisselülitamist asetage sellele keedunõu.

- Keedunõu põhi peaks olema keeduväljaga samade mõõtmetega.
- Pange väiksem nõu väiksemale keeduväljale.
- Pange nõu otse keeduvälja keskele.
- Toidu soojashoidmiseks või sulatamiseks kasutage jääkkuumust.

## 11. JÄÄTMEKÄITLUS

Sümboliga  tähistatud materjalid võib ringlusse suunata. Selleks viige pakendid vastavatesse konteineritesse. Aidake hoida keskkonda ja inimeste tervist ja suunake elektri- ja elektroonilised jäätmed ringlusse.

Ärge visake sümboliga  tähistatud

seadmeid muude majapidamisjäätmete hulka. Viige seade kohalikku ringluspunkti või pöörduge abi saamiseks kohalikku omavalitsusse.

## MYSLÍME NA VÁS

Děkujeme vám, že jste si zakoupili spotřebič značky Electrolux. Produkt, který jste si zvolili, čerpá z desetiletí profesionálních zkušeností a inovací. Při navrhování tohoto důmyslného a stylového spotřebiče jsme mysleli na vaše potřeby. Můžete se proto vždy, když jej používáte, spolehnout, že pokaždé dosáhnete skvělých výsledků. Víta vás Electrolux.

### Navštivte naše webové stránky:



Rady k používání, brožury, poradce při potížích a informace o servisu a opravách získáte na:

**[www.electrolux.com/support](http://www.electrolux.com/support)**

Zaregistrujte svůj spotřebič a získejte lepší servis:

**[www.registerelectrolux.com](http://www.registerelectrolux.com)**



Nákup příslušenství, spotřebního materiálu a originálních náhradních dílů pro váš spotřebič:

**[www.electrolux.com/shop](http://www.electrolux.com/shop)**


## PÉČE O ZÁKAZNÍKY A SERVIS


Doporučujeme používat originální náhradní díly.

V případě kontaktování našeho autorizovaného servisního střediska mějte u sebe následující údaje: Model, výrobní číslo, sériové číslo.

Tyto informace naleznete na typovém štítku.

 Varování / Důležité bezpečnostní informace

 Všeobecné informace a rady

 Informace o ochraně životního prostředí

Změny vyhrazeny.

## OBSAH

1. BEZPEČNOSTNÍ INFORMACE.....	139
2. BEZPEČNOSTNÍ POKYNY .....	141
3. INSTALACE.....	144
4. POPIS SPOTŘEBIČE.....	145
5. DENNÍ POUŽÍVÁNÍ.....	146
6. TIPY A RADY.....	146
7. ČIŠTĚNÍ A ÚDRŽBA.....	146
8. ODSTRAŇOVÁNÍ ZÁVAD.....	147
9. TECHNICKÉ ÚDAJE.....	147
10. ENERGETICKÁ ÚČINNOST.....	148
11. POZNÁMKY K OCHRANĚ ŽIVOTNÍHO PROSTŘEDÍ.....	149

## 1. BEZPEČNOSTNÍ INFORMACE

Tento návod si pečlivě přečtěte ještě před instalací spotřebiče a jeho prvním použitím. Výrobce nenese odpovědnost za

žádný úraz ani škodu v důsledku nesprávné instalace nebo použití. Návod k použití vždy uchovávejte na bezpečném a přístupném místě pro jeho budoucí použití.

## **1.1 Bezpečnost dětí a postižených osob**

- Tento spotřebič smí používat děti starší osmi let nebo osoby se sníženými fyzickými, smyslovými nebo duševními schopnostmi nebo osoby bez patřičných zkušeností a znalostí, pouze pokud tak činí pod dozorem nebo obdrželi instrukce týkající se bezpečného provozu spotřebiče, a pokud rozumí rizikům spojeným s provozem spotřebiče. Děti mladší osmi let a osoby s rozsáhlým a komplexním postižením bez stálého dozoru udržujte z dosahu spotřebiče.
- Nenechte děti hrát si se spotřebičem.
- Všechny obaly uschovejte mimo dosah dětí a řádně je zlikvidujte.
- **VAROVÁNÍ:** Je-li spotřebič v provozu nebo pokud chladne, nedovolte dětem a domácím zvířatům, aby se k ní přibližovaly. Přístupné části se při použití zahřívají na vysokou teplotu.
- Je-li spotřebič vybaven dětskou bezpečnostní pojistkou, doporučuje se ji aktivovat.
- Čištění a uživatelskou údržbu spotřebiče by neměly provádět děti bez dozoru.

## **1.2 Všeobecné bezpečnostní informace**

- **VAROVÁNÍ:** Spotřebič a jeho přístupné části se při použití zahřívají na vysokou teplotu. Nedotýkejte se topných článků.
- **VAROVÁNÍ:** Příprava jídel s tuky či oleji na varné desce bez dozoru může být nebezpečná a způsobit požár.
- Oheň se **NIKDY** nesnažte uhasit vodou. Místo toho vypněte spotřebič a poté plameny zakryjte např. víkem nebo hasicí rouškou.

- **VAROVÁNÍ:** Spotřebič nesmí být napájen přes externí spínací zařízení, jako je časovač, nebo připojován k okruhu, který je pravidelně zapínán a vypínán jiným nástrojem.
- **UPOZORNĚNÍ:** U vaření je vždy nutné vykonávat dohled. U krátkodobého vaření je nutné vykonávat nepřetržitý dohled.
- **VAROVÁNÍ:** Nebezpečí požáru: Na varné plochy nepokládejte žádné předměty.
- Na povrch varné desky nepokládejte žádné kovové předměty jako nože, vidličky, lžíce nebo pokličky, protože by se mohly zahřát na velmi vysokou teplotu.
- Nepoužívejte spotřebič, dokud není nainstalován do vestavné konstrukce.
- K čištění spotřebiče nepoužívejte čistící zařízení na páru.
- Je-li sklokeramický nebo skleněný povrch desky prasklý, vypněte spotřebič a odpojte ho od síťového napájení. Je-li spotřebič k elektrické síti připojen prostřednictvím rozvodné skříňky, odpojte spotřebič od napájení vyjmutím pojistky. V každém případě kontaktujte autorizované servisní středisko.
- Jestliže je poškozený přívodní kabel, smí ho vyměnit pouze výrobce, servisní technik nebo osoba s podobnou příslušnou kvalifikací, jinak by mohlo dojít k úrazu.
- **VAROVÁNÍ:** Používejte pouze kryt varné desky přímo od výrobce kuchyňského spotřebiče nebo takový kryt, který výrobce spotřebiče v pokynech k použití označil jako vhodný, případně kryt, který je součástí spotřebiče. Při použití nesprávného krytu varné desky může dojít k nehodě.

## 2. BEZPEČNOSTNÍ POKYNY

### 2.1 Instalace



#### **VAROVÁNÍ!**

Tento spotřebič smí instalovat jen kvalifikovaná osoba.



#### **VAROVÁNÍ!**

Hrozí nebezpečí poranění nebo poškození spotřebiče.

- Odstraňte veškerý obalový materiál.
- Poškozený spotřebič neinstalujte ani nepoužívejte.

- Řiďte se pokyny k instalaci dodanými spolu s tímto spotřebičem.
- Dodržujte minimální vzdálenosti od ostatních spotřebičů a nábytku.
- Při přemísťování spotřebiče buďte vždy opatrní, protože je těžký. Vždy používejte ochranné rukavice a uzavřenou obuv.
- Utěsněte výřez v povrchu pomocí těsniva, abyste zabránili bobtnání z důvodu vlhkosti.
- Chraňte dno spotřebiče před párou a vlhkostí.
- Spotřebič neinstalujte vedle dveří či pod oknem. Zabráňte tak převržení horkého nádobí ze spotřebiče při otevírání dveří či okna.
- Pokud je spotřebič instalován nad zásuvkami, ujistěte se, že prostor mezi dnem spotřebiče a horní zásuvkou zajišťuje dostatečnou cirkulaci vzduchu.
- Spodek spotřebiče se může silně zahřát. Zajistěte instalaci samostatného panelu z překližky, kuchyňského nosného materiálu nebo jiného nehořlavého materiálu, který bude zakrývat spodek spotřebiče.
- Samostatný panel musí zcela zakrývat oblast pod varnou deskou.

## 2.2 Připojení k elektrické síti



### VAROVÁNÍ!

Hrozí nebezpečí požáru nebo úrazu elektrickým proudem.

- Veškerá elektrická připojení by měla být provedena kvalifikovaným elektrikářem.
- Spotřebič musí být uzemněn.
- Před každou údržbou nebo čištěním je nutné se ujistit, že je spotřebič odpojen od elektrické sítě.
- Zkontrolujte, zda údaje na typovém štítku souhlasí s parametry elektrické sítě.
- Ujistěte se, že je spotřebič nainstalován správně. Volné a nesprávné zapojení napájecího kabelu či zástrčky (je-li součástí výbavy) může mít za následek přehřátí svorky.
- Použijte správný typ napájecího kabelu.
- Elektrické kabely nesmí být zamotané.
- Ujistěte se, že je nainstalována ochrana před úrazem elektrickým proudem.
- Použijte svorku k odlehčení kabelu od tahu.

- Dbejte na to, aby se elektrické přívodní kabely nebo zástrčky (jsou-li součástí výbavy) nedotýkaly horkého spotřebiče nebo horkého nádobí, když spotřebič připojujete do blízké zásuvky.
- Nepoužívejte rozbočovací zástrčky ani prodlužovací kabely.
- Dbejte na to, abyste nepoškodili napájecí kabel nebo síťovou zástrčku (je-li součástí výbavy). Pro výměnu napájecího kabelu se obraťte na autorizované servisní středisko nebo elektrikáře.
- Ochrana před úrazem elektrickým proudem u živých či izolovaných částí musí být připevněna tak, aby nešla odstranit bez použití nástrojů.
- Síťovou zástrčku zapojte do síťové zásuvky až na konci instalace spotřebiče. Po instalaci musí zůstat síťová zástrčka nadále dostupná.
- Pokud je síťová zásuvka uvolněná, nezapojte do ní síťovou zástrčku.
- Neodpojujte spotřebič ze zásuvky tahem za kabel. Vždy tahejte za zástrčku.
- Používejte pouze správná izolační zařízení: ochranné vypínače vedení, pojistky (pojistky šroubového typu se musí odstranit z držáku), ochranné zemnicí jističe a stykače.
- Je nutné instalovat vhodný vypínač nebo izolační zařízení k řádnému odpojení všech napájecích vodičů spotřebiče. Toto izolační zařízení musí mít mezeru mezi kontakty alespoň 3 mm širokou.

## 2.3 Použití spotřebiče



### VAROVÁNÍ!

Hrozí nebezpečí zranění, popálení či úrazu elektrickým proudem.

- Před prvním použitím odstraňte veškerý obalový materiál (je-li přítomen), štítky a ochrannou fólii.
- Tento spotřebič je určen pouze k domácímu (vnitřnímu) použití.
- Neměňte technické parametry spotřebiče.
- Ujistěte se, že větrací otvory nejsou zablokované.
- Během provozu nenechávejte spotřebič bez dozoru.
- Po každém použití nastavte varnou zónu do polohy „vypnuto“.

- Na varné zóny nepokládejte přístroje nebo pokličky. Mohly by se zahřát.
- Nepoužívejte spotřebič, máte-li vlhké ruce, nebo když je v kontaktu s vodou.
- Nepoužívejte spotřebič jako pracovní nebo odkládací plochu.
- Je-li povrch spotřebiče prasklý, okamžitě spotřebič odpojte od elektrické sítě. Zabráňte tak úrazu elektrickým proudem.
- Vložíte-li jídlo do horkého oleje, může olej vystříknout.



### **VAROVÁNÍ!**

Hrozí nebezpečí požáru nebo výbuchu

- Tuky a oleje mohou při zahřátí uvolňovat hořlavé páry. Při vaření udržujte otevřený oheň nebo ohřáté předměty mimo dosah tuků a olejů.
- Páry uvolňované velmi horkými oleji se mohou samovolně vznítit.
- Použitý olej, který obsahuje zbytky potravin, může způsobit požár při nižších teplotách než olej použitý poprvé.
- Do spotřebiče, do jeho blízkosti nebo na spotřebič neumísťujte hořlavé předměty nebo předměty nasáklé hořlavinami.



### **VAROVÁNÍ!**

Hrozí nebezpečí poškození spotřebiče.

- Nepokládejte horké nádoby na ovládací panel.
- Nepokládejte horkou poklici na skleněný povrch varné desky.
- Nenechte vyvařit vodu v nádobách.
- Dbejte na to, aby na spotřebič nespadlo varné nádoby či jiné předměty. Mohl by se poškodit jeho povrch.
- Nezapínejte varné zóny s prázdnými nádobami nebo zcela bez nádob.
- Na spotřebič nepokládejte hliníkovou fólii.
- Nádoby vyrobené z litiny či hliníku nebo nádoby s poškozeným dnem mohou způsobit poškrábání sklokeramiky nebo skla. Tyto předměty při přesouvání na varné desce vždy zdvihněte.
- Tento spotřebič je určen výhradně pro přípravu jídel. Nesmí být používán k jiným účelům, například k vytápění místností.

## **2.4 Čištění a údržba**



### **VAROVÁNÍ!**

Z ovládacího panelu nedemontujte tlačítka, ovladače ani těsnění. Do spotřebiče by se mohla dostat voda a poškodit ho.

- Spotřebič čistěte pravidelně, abyste zabránili poškození materiálu jeho povrchu.
- Před čištěním spotřebič vypněte a nechte ho vychladnout.
- K čištění spotřebiče nepoužívejte proud vody nebo páru.
- Vyčistěte spotřebič vlhkým měkkým hadrem. Používejte pouze neutrální mycí prostředky. Nepoužívejte prostředky s drsnými částicemi, drátěnky, rozpouštědla nebo kovové předměty.

## **2.5 Servis**

- Je-li nutná oprava spotřebiče, obraťte se na autorizované servisní středisko. Používejte pouze originální náhradní díly.
- Pokud jde o žárovku (žárovky) v tomto spotřebiči a samostatně prodávané náhradní žárovky: Tyto žárovky jsou navrženy tak, aby odolaly extrémním fyzickým podmínkám v domácích spotřebičích, ať už jde o teplotu, vibrace či vlhkost, nebo jsou určeny k signalizaci informací o provozním stavu spotřebiče. Nejsou určeny k použití v jiných spotřebičích a nejsou vhodné k osvětlení místností v domácnosti.

## **2.6 Likvidace**



### **VAROVÁNÍ!**

Hrozí nebezpečí úrazu či udušení.

- Pro informace ohledně správné likvidace spotřebiče se obraťte na místní úřady.
- Odpojte spotřebič od elektrické sítě.
- Odřízněte síťový kabel v blízkosti spotřebiče a zlikvidujte jej.

## 3. INSTALACE



### VAROVÁNÍ!

Viz kapitoly o bezpečnosti.

### 3.1 Před instalací spotřebiče

Před instalací varné desky si z typového štítku opište níže uvedené informace. Typový štítek je umístěn na spodní straně varné desky.

Model .....  
Výrobní číslo  
(PNC) .....  
Sériové číslo .....

### 3.2 Vestavné varné desky

Vestavné varné desky se smějí používat pouze po zabudování do vhodných vestavných modulů a pracovních ploch, které splňují příslušné normy.

### 3.3 Připojovací kabel

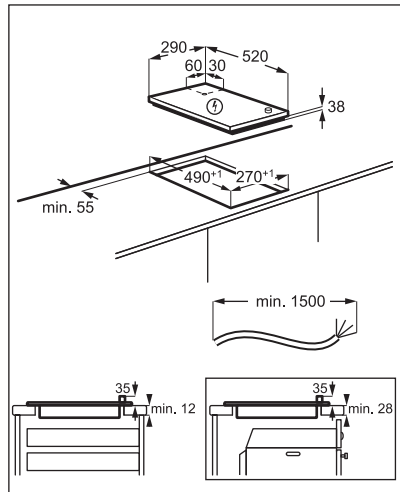
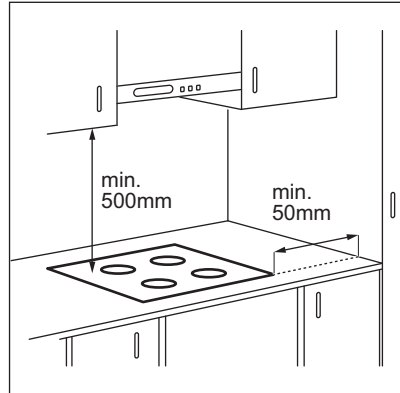
- Varná deska se dodává s připojovacím kabelem.
- K výměně poškozeného síťového kabelu použijte síťový kabel typu: H05V2V2-F, který je odolný vůči teplotě 90 °C nebo vyšší. Obratě se na autorizované servisní středisko. Výměnu připojovacího kabelu smí provádět pouze kvalifikovaný elektrikář.

### 3.4 Montáž těsnění - instalace na horní desce

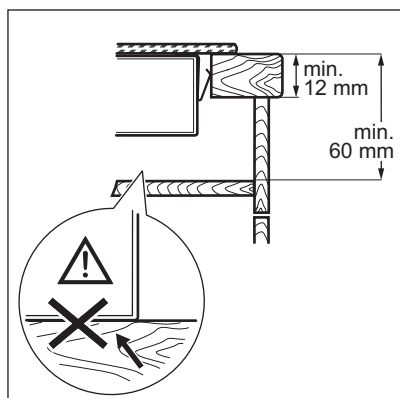
1. Očistěte pracovní desku kolem místa výřezu.
2. Dodaný 2x6mm těsnicí proužek nalepte na spodní hraně varné desky podél vnějšího okraje sklokeramického povrchu. Nenatahujte jej. Konce těsnicího proužku musí být umístěny uprostřed na jedné straně varné desky.
3. Když těsnicí proužek nařežete na příslušnou délku, přidejte několik milimetrů.
4. Oba konce těsnicího proužku spojte k sobě.

### 3.5 Sestava

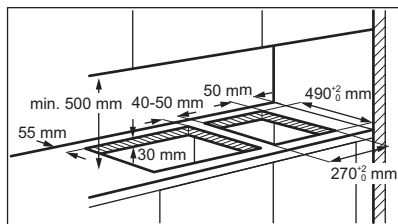
Instalujete-li varnou desku pod odsavačem par, dodržte minimální vzdálenost mezi spotřebiči v souladu s pokyny k montáži odsavače par.







### 3.6 Instalace více varných desek



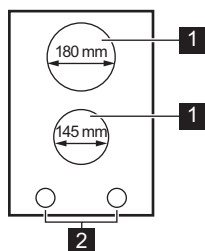
[www.youtube.com/electrolux](http://www.youtube.com/electrolux)  
[www.youtube.com/aeg](http://www.youtube.com/aeg)

How to install your Electrolux  
 Domino Hob - Worktop installation



## 4. POPIS SPOTŘEBIČE

### 4.1 Uspořádání varné plochy



- 1** Varná zóna
- 2** Ovladače

### 4.2 Ovladač

Symbol	Funkce
0	Poloha Vypnuto
1 - 6	Nastavení ohřevu

### 4.3 Zbytkové teplo



#### **VAROVÁNÍ!**

Hrozí nebezpečí popálení  
 zbytkovým teplem.

## 5. DENNÍ POUŽÍVÁNÍ



### VAROVÁNÍ!

Viz kapitoly o bezpečnosti.

### 5.1 Nastavení teploty

Požadovanou teplotu nastavíte nebo změníte otočením ovladače. Chcete-li zónu vypnout, otočte ovladačem do polohy vypnuto.

## 6. TIPY A RADY



### VAROVÁNÍ!

Viz kapitoly o bezpečnosti.

### 6.1 Nádobí

- Dno nádoby musí být co nejrovnější a nejsilnější.
- Než nádoby položíte na povrch varné desky, ujistěte se, že jejich dno je čisté a suché.
- Nádobu po sklokeramické desce neposouvajte, abyste ji nepoškrábali.



Nádoby ze smaltované oceli nebo s hliníkovým či měděným dnem mohou na povrchu sklokeramické desky zanechávat barevné skvrny.

### 6.2 Příklady vaření na

#### Nastavení teploty:

#### Použití:

1	Uchování teploty
2	Lehké ohřívání
3	Mírné vaření
4	Smažení
5	Uvedení do varu
6	Uvedení do varu / prudké smažení / fritování

## 7. ČIŠTĚNÍ A ÚDRŽBA



### VAROVÁNÍ!

Viz kapitoly o bezpečnosti.

### 7.1 Všeobecné informace

- Varnou desku po každém použití vyčistěte.
- Varné náčiní používejte vždy s čistou spodní stranou.
- Škrábance nebo tmavé skvrny na povrchu nemají vliv na funkci varné desky.
- Použijte speciální čisticí prostředek vhodný na povrch varné desky.
- Na sklo použijte speciální škrabku.



Nedoporučuje se demontovat voliče.

### 7.2 Čištění varné desky

- **Okamžitě odstraňte:** roztavený plast, plastovou folii, cukr nebo jídlo obsahující cukr. Pokud tak neučiníte, nečistota může varnou desku poškodit. Vyvarujte se popálení. Speciální škrabku přiložte šikmo ke skleněnému povrchu a posuňte ostří po povrchu desky.
- **Odstraňte po dostatečném vychladnutí varné desky:** skvrny od vodního kamene, vodové kroužky, tukové skvrny nebo kovově lesklé zbarvení. Vyčistěte varnou desku vlhkým hadříkem s neabrazivním mycím prostředkem. Po vyčištění varnou desku osušte měkkým hadrem.
- **Odstraňte kovově lesklé zbarvení:** použijte roztok vody s octem a vyčistěte skleněný povrch pomocí hadříku.

## 8. ODSTRAŇOVÁNÍ ZÁVAD



### VAROVÁNÍ!

Viz kapitoly o bezpečnosti.

### 8.1 Co dělat, když...

Problém	Možná příčina	Řešení
Varnou desku nelze zapnout ani používat.	Varná deska není zapojená do elektrické sítě nebo je zapojená nesprávně.	Zkontrolujte, zda je varná deska správně zapojena do elektrické sítě.
	Je spálená pojistka.	Zkontrolujte, zda příčinou závady není pojistka. Pokud dochází k opakovanému spálení pojistky, obraťte se na autorizovaného elektrikáře.

### 8.2 Pokud problém nemůžete vyřešit...

Pokud problém nemůžete vyřešit sami, obraťte se na svého prodejce nebo autorizované servisní středisko. Uveďte údaje z typového štítku. U sklokeramické desky uveďte rovněž kód ze tří číslic a písmen (je v rohu skleněného povrchu).

Ujistěte se, že jste varnou desku používali správně. Pokud ne, budete muset servis provedený servisním technikem nebo prodejcem zaplatit, i když je spotřebič ještě v záruce. Informace o záruční době a autorizovaných servisních střediscích jsou uvedeny v záruční brožuře.

## 9. TECHNICKÉ ÚDAJE

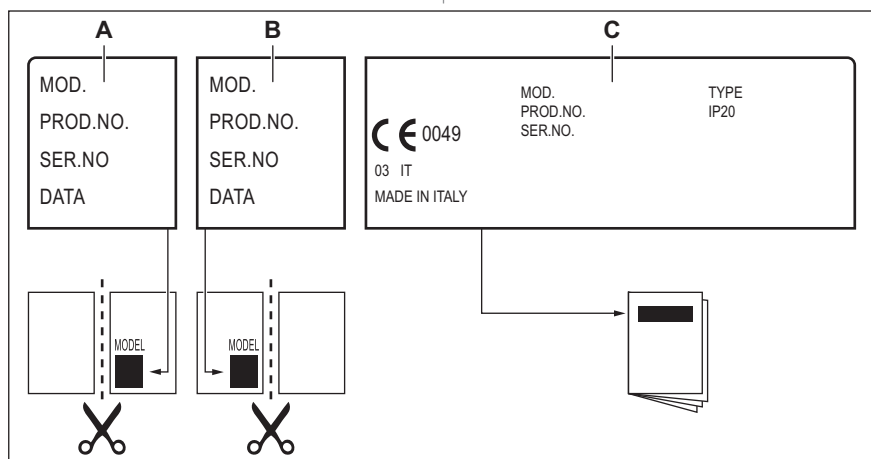
### 9.1 Technické údaje varných zón

Varná zóna	Nominální výkon (maximální nastavení teploty) [W]	Průměr varné zóny [mm]
Uprostřed vpředu	1200	145
Uprostřed vzadu	1700	180

Pro dosažení nejlepších výsledků vaření používejte nádoby, které nejsou větší než průměr varné zóny.

## 9.2 Štítky dodávané v sáčku s příslušenstvím

Nalepte samolepicí štítky následujícím způsobem:



- A. Nalepte jej na záruční list a odešlete tuto část (je-li to možné).  
B. Nalepte jej na záruční list a uchovejte si tuto část (je-li to možné).

- C. Nalepte jej na návod k použití.

## 10. ENERGETICKÁ ÚČINNOST

### 10.1 Informace o výrobku\*

Označení modelu		EHF3920BOK
Typ varné desky		Vestavná varná deska
Počet varných zón		2
Technologie ohřevu		Sálavá plotýnka
Průměr kruhových varných zón (Ø)	Uprostřed vpředu	14,5 cm
	Uprostřed vzadu	18,0 cm
Spotřeba energie na varnou zónu (EC electric cooking)	Uprostřed vpředu	194,9 Wh / kg
	Uprostřed vzadu	194,9 Wh / kg
Spotřeba energie varné desky (EC electric hob)		194,9 Wh / kg

\* Pro Evropskou unii podle EU 66/2014. Pro Bělorusko podle STB 2477-2017, příloha A. Pro Ukrajinu podle 742/2019.

EN 60350-2 - Elektrické spotřebiče na vaření pro domácnost – část 2: Varné desky – metody měření výkonu

## 10.2 Úspora energie


Během každodenního pečení můžete ušetřit energii, budete-li se řídit níže uvedenými radami.


- Při ohřevu vody používejte pouze takové množství, které potřebujete.
- Je-li to možné, vždy zakrývejte nádoby pokličkami.
- Před zapnutím varné zóny na ni položte varnou nádobu.

- Dno varné nádoby by mělo být stejné velikosti jako varná zóna.
- Na menší varné zóny postavte menší varné nádoby.
- Postavte nádobu přímo na střed varné zóny.
- Využijte zbytkové teplo k udržování teploty jídle nebo k jeho rozpouštění.

## 11. POZNÁMKY K OCHRANĚ ŽIVOTNÍHO PROSTŘEDÍ

Recyklujte materiály označené symbolem

 Obaly vyhodte do příslušných odpadních kontejnerů k recyklaci. Pomáhejte chránit životní prostředí a lidské zdraví a recyklovat elektrické a elektronické spotřebiče určené k

likvidaci. Spotřebiče označené příslušným symbolem  nelikvidujte spolu s domovním odpadem. Spotřebič odevzdejte v místním sběrném dvoře nebo kontaktujte místní úřad.

## MYŚLIMY O TOBIE

Dziękujemy za zakup urządzenia Electrolux. Jest on owocem dziesięcioleci doświadczeń i innowacji. To pomysłowe i stylowe urządzenie zostało zaprojektowane z myślą o Tobie. Użytkując je, zawsze ma się pewność uzyskania wspaniałych efektów.

Witamy w świecie marki Electrolux

**Przejdź na naszą witrynę internetową:**



Wskazówki dotyczące użytkowania, broszury, pomoc w rozwiązywaniu problemów oraz informacje dotyczące serwisu i napraw:

**[www.electrolux.com/support](http://www.electrolux.com/support)**



Zarejestruj produkt, aby korzystać z lepszej obsługi serwisowej:

**[www.registerelectrolux.com](http://www.registerelectrolux.com)**



Kup akcesoria, materiały eksploatacyjne i oryginalne części zamienne do swojego urządzenia:


**[www.electrolux.com/shop](http://www.electrolux.com/shop)**


## OBSŁUGA KLIENTA I SERWIS


Należy zawsze używać oryginalnych części zamiennych.

Przed kontaktem z autoryzowanym centrum serwisowym należy przygotować poniższe dane: Model, numer produktu, numer seryjny.

Informacje można znaleźć na tabliczce znamionowej.

 Ostrzeżenie/przestroga — informacje dotyczące bezpieczeństwa

 Ogólne informacje i wskazówki

 Informacje dotyczące środowiska naturalnego

Producent zastrzega sobie możliwość wprowadzenia zmian bez wcześniejszego powiadomienia.

## SPIS TREŚCI

1. INFORMACJE DOTYCZĄCE BEZPIECZEŃSTWA.....	150
2. WSKAZÓWKI DOTYCZĄCE BEZPIECZEŃSTWA.....	153
3. INSTALACJA.....	155
4. OPIS URZĄDZENIA.....	157
5. CODZIENNE UŻYTKOWANIE.....	157
6. WSKAZÓWKI I PORADY.....	158
7. KONSERWACJA I CZYSZCZENIE.....	158
8. ROZWIĄZANIE PROBLEMÓW.....	159
9. DANE TECHNICZNE.....	159
10. EFEKTYWNOŚĆ ENERGETYCZNA.....	160
11. OCHRONA ŚRODOWISKA.....	161

## 1. INFORMACJE DOTYCZĄCE BEZPIECZEŃSTWA

Przed przystąpieniem do instalacji i rozpoczęciem eksploatacji urządzenia należy uważnie zapoznać się z

dołączoną instrukcją obsługi. Producent nie odpowiada za obrażenia ciała ani szkody spowodowane nieprawidłową instalacją lub eksploatacją urządzenia. Należy zachować instrukcję obsługi w bezpiecznym i łatwo dostępnym miejscu w celu wykorzystania w przyszłości.

## **1.1 Bezpieczeństwo dzieci i osób o ograniczonych zdolnościach ruchowych**

- Urządzenie mogą obsługiwać dzieci po ukończeniu 8. roku życia oraz osoby o ograniczonych zdolnościach fizycznych, sensorycznych lub umysłowych bądź nieposiadające odpowiedniej wiedzy i doświadczenia, jeśli będą one nadzorowane lub zostaną poinstruowane w zakresie bezpiecznego korzystania z tego urządzenia i będą świadome związanych z tym zagrożeń. Dzieci w wieku poniżej 8 lat i osoby o znacznym stopniu niepełnosprawności nie powinny zbliżać się urządzenia, jeśli nie znajdują się pod stałym nadzorem.
- Dzieci należy pilnować, aby nie bawiły się urządzeniem.
- Przechowywać opakowanie w miejscu niedostępnym dla dzieci lub pozbyć się go w odpowiedni sposób.
- **OSTRZEŻENIE:** Nie pozwalać dzieciom i zwierzętom zbliżać się do pracującego lub stygnącego urządzenia. Podczas pracy urządzenia niektóre jego elementy mocno się nagrzewają.
- Jeśli urządzenie wyposażono w blokadę uruchomienia, zaleca się jej włączenie.
- Dzieci nie powinny zajmować się czyszczeniem ani konserwacją urządzenia bez odpowiedniego nadzoru.

## **1.2 Ogólne zasady bezpieczeństwa**

- **OSTRZEŻENIE:** Podczas działania urządzenia jego nieosłonięte elementy nagrzewają się do wysokiej temperatury. Należy zachować ostrożność, aby nie dotknąć elementów grzejnych.

- **OSTRZEŻENIE:** Pozostawienie bez nadzoru potraw zawierających tłuszcz lub olej na włączonej płycie grzejnej może być przyczyną pożaru.
- **NIE** gasić pożaru wodą – należy wyłączyć urządzenie, a następnie przykryć płomień pokrywą lub kocem gaśniczym.
- **OSTRZEŻENIE:** Urządzenia nie wolno zasiląć przez zewnętrzny wyłącznik, np. programator czasowy, ani ze źródła zasilania często wyłączanego przez zakład energetyczny.
- **PRZESTROGA:** Gotowanie powinno odbywać się pod nadzorem. Należy zapewnić stały nadzór nad krótkim gotowaniem.
- **OSTRZEŻENIE:** Zagrożenie pożarem: Nie przechowywać przedmiotów na powierzchni gotowania.
- Na powierzchni płyty grzejnej nie wolno kłaść przedmiotów metalowych, jak sztućce lub pokrywki do garnków, ponieważ mogą one bardzo się rozgrzać.
- Nie uruchamiać urządzenia przed zainstalowaniem go w zabudowie.
- Do czyszczenia urządzenia nie wolno używać sprzętów czyszczących parą.
- Jeśli na powierzchni szkła ceramicznego / powierzchni szklanej pojawią się pęknięcia, należy wyłączyć urządzenie i wyjąć wtyczkę zasilającą z gniazda. Jeśli urządzenie podłączono bezpośrednio do skrzynki przyłączeniowej, należy wyłączyć bezpiecznik, aby odłączyć zasilanie urządzenia. W obu przypadkach należy skontaktować się z autoryzowanym centrum serwisowym.
- Jeśli przewód zasilający jest uszkodzony, ze względów bezpieczeństwa musi go wymienić producent, autoryzowany serwis lub inna wykwalifikowana osoba.
- **OSTRZEŻENIE:** Używać wyłącznie osłon do płyty grzejnej wyprodukowanych przez producenta urządzenia lub określonych w instrukcji przez producenta urządzenia jako odpowiednich, lub dostarczonych z urządzeniem. Użycie nieodpowiednich osłon może skutkować wypadkiem.



## 2. WSKAZÓWKI DOTYCZĄCE BEZPIECZEŃSTWA

### 2.1 Instalacja



#### **OSTRZEŻENIE!**

Urządzenie może zainstalować wyłącznie wykwalifikowana osoba.



#### **OSTRZEŻENIE!**

Zagrożenie odniesieniem obrażeń lub uszkodzeniem urządzenia.

- Usunąć wszystkie elementy opakowania.
- Nie instalować ani nie używać uszkodzonego urządzenia.
- Należy postępować zgodnie z instrukcją instalacji dołączoną do urządzenia.
- Zachować minimalne odstępów od innych urządzeń i mebli.
- Zachować ostrożność podczas przenoszenia urządzenia, ponieważ jest ono ciężkie. Należy zawsze stosować rękawice ochronne i mieć na stopach pełne obuwie.
- Po przycięciu zabezpieczyć krawędzie blatu przed wilgocią za pomocą odpowiedniego uszczelnacza.
- Zabezpieczyć spód urządzenia przed dostępem pary i wilgoci.
- Nie instalować urządzenia przy drzwiach ani pod oknem. Zapobiegnie to możliwości strącenia gorącego naczynia z urządzenia przy otwieraniu okna lub drzwi.
- Instalując urządzenie nad szufladami, należy zapewnić wystarczająco dużo miejsca między dolną częścią urządzenia a górną szufladą, aby umożliwić prawidłowy obieg powietrza.
- Spód urządzenia może się mocno nagrzewać. Zamontować pod urządzeniem płytę oddzielającą wykonaną ze sklejk, kuchennej płyty meblowej lub innego niepalnego materiału, uniemożliwiającej dostęp do urządzenia od spodu.
- Przegroda powinna całkowicie zakrywać obszar pod płytą grzejną.

### 2.2 Podłączenie do sieci elektrycznej



#### **OSTRZEŻENIE!**

Zagrożenie pożarem i porażeniem prądem elektrycznym.

- Wszystkie połączenia elektryczne powinien wykonać wykwalifikowany elektryk.
- Urządzenie musi być uziemione.
- Przed wykonaniem jakiegokolwiek czynności upewnić się, że urządzenie jest odłączone od zasilania.
- Upewnić się, że parametry na tabliczce znamionowej odpowiadają parametrom znamionowym źródła zasilania.
- Upewnić się, że urządzenie jest prawidłowo zainstalowane. Luźny lub niewłaściwy przewód zasilający bądź wtyczka (jeśli dotyczy) może być przyczyną przegrzania styków.
- Użyć odpowiedniego przewodu zasilającego.
- Nie dopuszczać do splątania przewodów elektrycznych.
- Upewnić się, że zainstalowano zabezpieczenie przed porażeniem prądem.
- Przewód zasilający należy przymocować obejmą, by go mechanicznie odciążyć.
- Podczas podłączania urządzenia do gniazda sieciowego upewnić się, że przewód zasilający lub jego wtyczka (jeśli dotyczy) nie będzie dotykać rozgrzanych elementów urządzenia lub naczyń.
- Nie stosować rozgałęźników ani przedłużaczy.
- Należy uważać, aby nie uszkodzić wtyczki (jeśli dotyczy) ani przewodu zasilającego. Wymianę uszkodzonego przewodu zasilającego należy zlecić autoryzowanemu centrum serwisowemu lub wykwalifikowanemu elektrykowi.
- Zarówno dla elementów znajdujących się pod napięciem, jak i zaizolowanych części, zabezpieczenie przed porażeniem prądem należy zamocować w taki sposób,

aby nie można go było odłączyć bez użycia narzędzi.

- Podłączyć wtyczkę do gniazda elektrycznego dopiero po zakończeniu instalacji. Należy zadbać o to, aby po zakończeniu instalacji urządzenia wtyczka przewodu zasilającego była łatwo dostępna.
- Jeśli gniazdo elektryczne jest obluźwane, nie wolno podłączać do niego wtyczki.
- Odłączając urządzenie, nie należy ciągnąć za przewód zasilający. Należy zawsze ciągnąć za wtyczkę sieciową.
- Konieczne jest zastosowanie odpowiednich wyłączników obwodu zasilania: wyłączników automatycznych, bezpieczników topikowych (typu wykręcanego – wyjmowanych z oprawki), wyłączników różnicowoprądowych oraz styczników.
- W instalacji elektrycznej należy zastosować wyłącznik obwodu umożliwiający odłączenie urządzenia od zasilania na wszystkich biegunach. Wyłącznik obwodu musi mieć rozwarcie styków wynoszące minimum 3 mm.

### 2.3 Użytkowanie



#### **OSTRZEŻENIE!**

Zagrożenie odniesieniem obrażeń, oparzeniem i porażeniem prądem.

- Przed pierwszym użyciem urządzenia należy usunąć z niego wszystkie elementy opakowania, etykiety i folię ochronną (jeśli dotyczy).
- Urządzenie jest przeznaczone wyłącznie do użytku domowego (wewnątrz pomieszczeń).
- Nie zmieniać parametrów technicznych urządzenia.
- Upewnić się, że otwory wentylacyjne są drożne.
- Nie pozostawiać urządzenia bez nadzoru podczas pracy.
- Po każdym użyciu wyłączyć pole grzejne.
- Nie kłaść sztućców ani pokrywek naczyń na polach grzejnych. Mogą one się mocno rozgrzać.

- Nie wolno obsługiwać urządzenia mokrymi rękami lub gdy ma ono kontakt z wodą.
- Nie używać urządzenia jako powierzchni roboczej ani miejsca do przechowywania.
- Jeśli powierzchnia urządzenia jest pęknięta, należy natychmiast odłączyć urządzenie od zasilania. Zapobiega to porażeniu prądem elektrycznym.
- Gorący olej może przyskać podczas wkładania do niego żywności.



#### **OSTRZEŻENIE!**

Zagrożenie pożarem i wybuchem

- Pod wpływem wysokiej temperatury tłuszcze i olej mogą uwalniać łatwopalne opary. Nie zbliżać płomienia ani rozgrzanych przedmiotów do tłuszczu i oleju podczas gotowania.
- Może dojść do samozapłonu oparów wydzielanych z bardzo gorącego oleju.
- Zużyty olej z resztkami żywności może zapalić się w niższej temperaturze niż świeży olej.
- Nie umieszczać produktów łatwopalnych ani przedmiotów nasączonych łatwopalnymi produktami w pobliżu lub na urządzeniu.



#### **OSTRZEŻENIE!**

Zagrożenie uszkodzeniem urządzenia.

- Nie stawiać gorących naczyń na panelu sterowania.
- Nie stawiać gorących naczyń na szklanej powierzchni płyty grzejnej.
- Nie dopuszczać do wygotowania się potrawy.
- Nie dopuszczać do upadku naczyń lub innych przedmiotów na powierzchnię urządzenia. Może to spowodować jego uszkodzenie.
- Nie włączać pól grzejnych bez naczyń ani z pustymi naczyniami.
- Nie kłaść na urządzeniu folii aluminiowej.
- Naczynia żeliwne, aluminiowe lub ze zniszczonym spodem mogą spowodować zarysowanie szkła lub szkła ceramicznego. Dlatego nie należy przesuwać ich po powierzchni gotowania.
- Urządzenie jest przeznaczone wyłącznie do przyrządzania potraw. Nie wolno go

używać do innych celów, takich jak np. ogrzewanie pomieszczeń.

## 2.4 Konserwacja i czyszczenie



### **OSTRZEŻENIE!**

Nie demontować przycisków, pokręteł ani uszczelek z panelu sterowania. Woda może dostać się do wnętrza urządzenia, powodując uszkodzenia.

- Aby zapobiec uszkodzeniu powierzchni urządzenia, należy regularnie ją czyścić.
- Przed rozpoczęciem czyszczenia urządzenia należy je wyłączyć i zaczekać, aż ostygnie.
- Urządzenia nie wolno czyścić wodą pod ciśnieniem ani parą wodną.
- Czyścić urządzenie za pomocą wilgotnej szmatki. Stosować wyłącznie obojętne detergenty. Nie używać produktów ściernych, myjek do szorowania, rozpuszczalników ani metalowych przedmiotów.

## 2.5 Usługi

- Aby naprawić urządzenie, należy skontaktować się z autoryzowanym

centrum serwisowym. Należy stosować wyłącznie oryginalne części zamienne.

- Informacja dotycząca oświetlenia w urządzeniu i elementów oświetleniowych sprzedawanych osobno jako części zamienne: Zastosowane elementy oświetleniowe są przystosowane do pracy w wymagających warunkach fizycznych (temperatura, drgania, wilgotność) w urządzeniach domowych lub są przeznaczone do sygnalizacji stanu działania urządzenia. Nie są one przeznaczone do innych zastosowań i nie nadają się do oświetlania pomieszczeń domowych.

## 2.6 Utylizacja



### **OSTRZEŻENIE!**

Zagrożenie odniesieniem obrażeń lub uduszeniem.

- Aby uzyskać informacje dotyczące prawidłowej utylizacji produktu, należy skontaktować się z lokalnymi władzami.
- Odłączyć urządzenie od źródła zasilania.
- Odciąć przewód zasilający blisko urządzenia i oddać do utylizacji.

# 3. INSTALACJA



### **OSTRZEŻENIE!**

Patrz rozdział dotyczący bezpieczeństwa.

## 3.1 Przed instalacją

Przed przystąpieniem do instalacji płyty grzejnej należy zapisać poniższe informacje umieszczone na tabliczce znamionowej. Tabliczka znamionowa znajduje się w dolnej części płyty grzejnej.

Model: .....  
Numer produktu: .....  
Numer seryjny .....

## 3.2 Płyty grzejne do zabudowy

Płyt grzejnych do zabudowy wolno używać dopiero po ich zamontowaniu w odpowiednich szafkach lub blatach roboczych spełniających wymogi stosownych norm.

## 3.3 Przewód zasilający

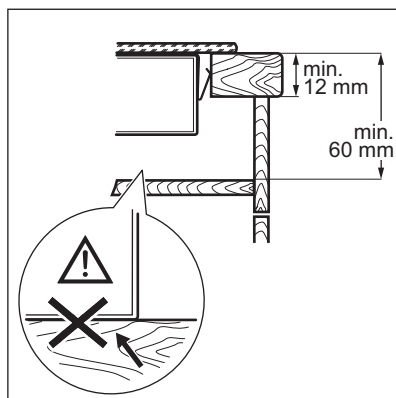
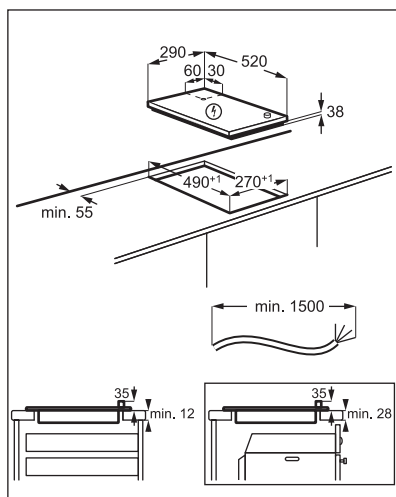
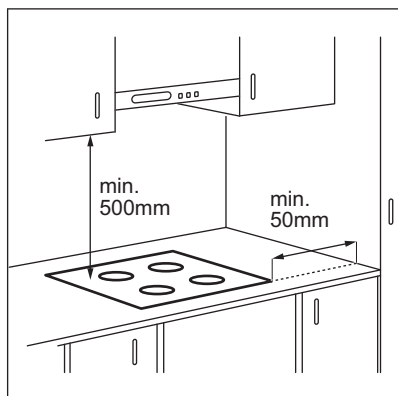
- Płyta grzejna jest wyposażona w przewód zasilający.
- W celu wymiany uszkodzonego przewodu należy użyć przewodu zasilającego następującego typu: H05V2V2-F, który jest odporny na temperaturę co najmniej 90°C. Skontaktować się z autoryzowanym centrum serwisowym. Przewód zasilający może wymienić wyłącznie wykwalifikowany elektryk.

### 3.4 Mocowanie uszczelki – instalacja na blacie

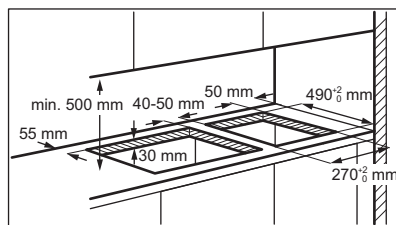
1. Oczyszczyć blat wokół obszaru wycięcia.
2. Przykleić dołączoną w komplecie taśmę uszczelniającą 2 x 6 mm wokół dolnej krawędzi płyty grzejnej, wzdłuż zewnętrznej krawędzi szkła ceramicznego. Nie naciągać taśmy. Styk końców taśmy uszczelniającej powinien znaleźć się pośrodku jednego z boków płyty grzejnej.
3. Przycinając taśmę uszczelniającą na długość, należy dodać kilka milimetrów.
4. Połączyć ze sobą oba końce taśmy uszczelniającej.

### 3.5 Montaż

W przypadku montażu płyty grzejnej pod okapem należy zapoznać się z informacjami na temat minimalnej odległości między urządzeniami zawartymi w instrukcji instalacji okapu.



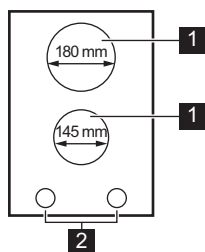
### 3.6 Instalacja więcej niż jednej płyty grzejnej





## 4. OPIS URZĄDZENIA

### 4.1 Układ powierzchni gotowania



- 1** Pole grzejne
- 2** Pokręta sterowania

### 4.2 Pokręto sterowania

Symbol	Funkcja
0	Położenie wyłączenia
1 - 6	Ustawienia mocy grzania

### 4.3 Ciepło resztkowe



#### **OSTRZEŻENIE!**

Występuje zagrożenie poparzeniem ciepłem resztkowym.

## 5. CODZIENNE UŻYTKOWANIE



#### **OSTRZEŻENIE!**

Patrz rozdział dotyczący bezpieczeństwa.

### 5.1 Ustawienie mocy grzania

Aby ustawić lub zmienić moc grzania, obrócić pokręto w odpowiednie położenie mocy grzania. Aby wyłączyć, obrócić pokręto w położenie wyłączenia.

## 6. WSKAZÓWKI I PORADY



### OSTRZEŻENIE!

Patrz rozdział dotyczący bezpieczeństwa.

### 6.1 Naczynia

- Dno naczyń musi być jak najgrubsze i płaskie.
- Przed ustawieniem naczynia na powierzchni płyty grzejnej należy upewnić się, że jego spód jest czysty i suchy.
- Aby uniknąć zarysowania powierzchni szkła ceramicznego, nie należy przesuwac na niej naczyń.



Naczynia wykonane ze stali emaliowanej lub z dnem aluminiowym bądź miedzianym mogą pozostawiać przebarwienia na powierzchni szkła ceramicznego.

### 6.2 Przykłady zastosowań kucharskich

Moc grzania:	Zastosowanie:
1	Utrzymywanie temperatury
2	Delikatne powolne gotowanie
3	Powolne gotowanie
4	Smażenie/przyrumienianie
5	Zagotowywanie
6	Zagotowywanie / szybkie smażenie / smażenie w głębokim tłuszczu

## 7. KONSERWACJA I CZYSZCZENIE



### OSTRZEŻENIE!

Patrz rozdział dotyczący bezpieczeństwa.

### 7.1 Informacje ogólne

- Czyścić płytę grzejną po każdym użyciu.
- Zawsze używać naczyń z czystym dnem.
- Zarysowania lub ciemne plamy na powierzchni nie mają wpływu na działanie płyty grzejnej.
- Stosować odpowiednie środki przeznaczone do czyszczenia powierzchni płyty grzejnej.
- Użyć specjalnego skrobaka do szkła.



Nie zaleca się wyjmowania pokręteł.

### 7.2 Czyszczenie płyty grzejnej

- **Usuwać natychmiast:** stopiony plastik, folię, cukier oraz zabrudzenia z potraw

zawierających cukier. W przeciwnym razie zabrudzenia mogą spowodować uszkodzenie płyty grzejnej. Uważać, aby się nie oparzyć. Użyć specjalnego skrobaka, przykładając go pod ostrym kątem do szklanej powierzchni i przesuwając po niej ostrzem.

- **Usunąć, gdy płyta grzejna wystarczająco ostygnie:** ślady osadu kamienia i wody, plamy tłuszczu, metaliczne odbarwienia. Przetrzeć płytę grzejną wilgotną szmatką z dodatkiem delikatnego detergentu. Po wyczyszczeniu wytrzeć płytę grzejną do sucha miękką szmatką.
- **Usuwanie metalicznych, połyskliwych przebarwień:** użyć wodnego roztworu octu i wyczyścić szklaną powierzchnię wilgotną szmatką.

## 8. ROZWIĄZANIE PROBLEMÓW



### **OSTRZEŻENIE!**

Patrz rozdział dotyczący bezpieczeństwa.

### 8.1 Co zrobić, gdy...

Problem	Możliwa przyczyna	Środek zaradczy
Nie można uruchomić piekarnika ani nim sterować.	Piekarnika nie podłączono do zasilania lub podłączono nieprawidłowo.	Sprawdzić, czy piekarnik podłączono prawidłowo do zasilania.
	Zadziałał bezpiecznik.	Sprawdzić, czy bezpiecznik jest przyczyną usterki. Jeżeli nadal będzie dochodzić do wyzwalania bezpiecznika, należy skontaktować się z wykwalifikowanym elektrykiem.

### 8.2 Jeśli nie można znaleźć rozwiązania...

Jeżeli rozwiązanie problemu we własnym zakresie nie jest możliwe, należy skontaktować się ze sprzedawcą lub z autoryzowanym punktem serwisowym. Podać dane z tabliczki znamionowej. Należy również podać składający się z trzech znaków kod szkła ceramicznego (znajdujący

się w rogu szklanej powierzchni). Upewnić się, że płyta grzejna była prawidłowo użytkowana. Jeśli nie, naprawę wykona odpłatnie pracownik serwisu lub sprzedawca – również w okresie gwarancyjnym. Informacje na temat okresu gwarancyjnego i autoryzowanych punktów serwisowych znajdują się w broszurze gwarancyjnej.

## 9. DANE TECHNICZNE

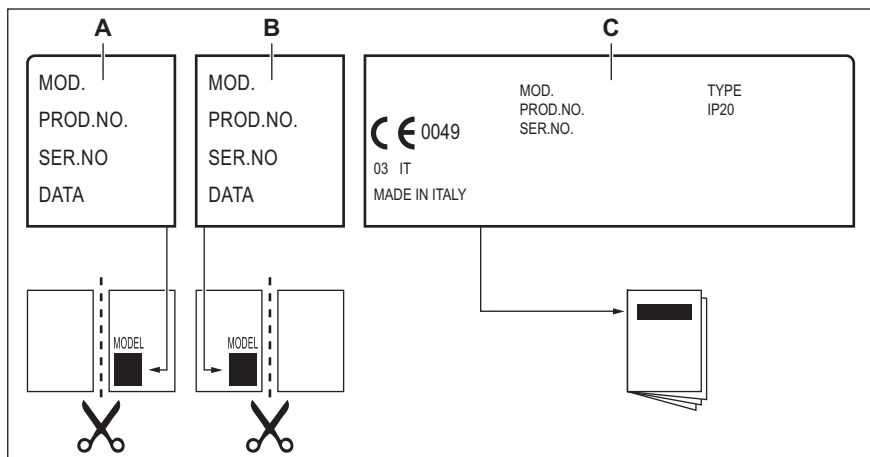
### 9.1 Parametry pól grzejnych

Pole grzejne	Moc znamionowa (maksymalna moc grzania) [W]	Średnica pola grzejnego [mm]
Środkowe przednie	1200	145
Środkowe tylne	1700	180

W celu uzyskania optymalnych rezultatów gotowania należy używać naczyń o średnicy nie większej niż średnica pól grzejnych.

## 9.2 Naklejki znajdujące się w torebce z akcesoriami

Naklejki należy przykleić w następujących miejscach:



- A. Na karcie gwarancyjnej i odesłać tę część (jeśli dotyczy).
- B. Na karcie gwarancyjnej i zachować tę część (jeśli dotyczy).

- C. Na instrukcji obsługi.

## 10. EFEKTYWNOŚĆ ENERGETYCZNA

### 10.1 Informacje o produkcie\*

Dane identyfikacyjne modelu	EHF3920BOK	
Typ płyty grzejnej	Płyta grzejna do zabudowy	
Liczba pól grzejnych	2	
Technologia grzania	Promiennikowe pole grzejne	
Średnica okrągłych pól grzejnych (Ø)	Środkowe przednie	14,5 cm
	Środkowe tylne	18,0 cm
Zużycie energii na pole grzejne (EC electric cooking)	Środkowe przednie	194,9 Wh/kg
	Środkowe tylne	194,9 Wh/kg
Zużycie energii przez płytę grzejną (EC electric hob)	194,9 Wh/kg	

\* Dla Unii Europejskiej zgodnie z normą EU 66/2014. Dla Białorusi zgodnie z normą STB 2477-2017, załącznik A. Dla Ukrainy zgodnie z normą 742/2019.




## 10.2 Oszczędzanie energii


Stosowanie się do poniższych wskazówek pozwoli oszczędzać energię podczas codziennej eksploatacji.

- Należy podgrzewać tylko tyle wody, ile jest potrzebne.
- W miarę możliwości należy zawsze przykrywać naczynia pokrywką.
- Przed włączeniem pola grzejnego należy postawić na nim naczynie.

- Dno naczynia powinno mieć taką samą średnicę jak pole grzejne.
- Mniejsze naczynia należy stawiać na mniejszych polach grzejnych.
- Naczynia należy stawiać bezpośrednio na środku pola grzejnego.
- Ciepło resztkowe można wykorzystać do podtrzymywania ciepła potraw lub roztapiania składników.

## 11. OCHRONA ŚRODOWISKA

Materiały oznaczone symbolem  należy poddać utylizacji. Opakowanie urządzenia włożyć do odpowiedniego pojemnika w celu przeprowadzenia recyklingu. Należy zadbać o ponowne przetwarzanie odpadów urządzeń elektrycznych i elektronicznych, aby chronić środowisko naturalne oraz ludzkie zdrowie.

Nie wolno wyrzucać urządzeń oznaczonych symbolem  razem z odpadami domowymi. Należy zwrócić produkt do miejscowego punktu ponownego przetwarzania lub skontaktować się z odpowiednimi władzami miejskimi.

## NAVRHNUTÉ PRE VÁS

Ďakujeme, že ste si zakúpili spotrebič Electrolux. Vybrali ste si výrobok, ktorý vznikol na základe desaťročí odborných skúseností a inovácií. Dômyselný a štýlový – navrhnutý s dôrazom na váš komfort. Pri každom použití si môžete byť istí, že uvidíte skvelý výkon. Vitajte vo svete Electrolux.

**Navštívte našu stránku, kde nájdete:**



Rady týkajúce sa používania, brožúry, návody na riešenie problémov a informácie o servise a opravách:

**[www.electrolux.com/support](http://www.electrolux.com/support)**



Zaregistrujte si výrobok a využite tak ešte lepší servis:

**[www.registerelectrolux.com](http://www.registerelectrolux.com)**



Pre váš spotrebič si môžete zakúpiť príslušenstvo, spotrebný materiál a originálne náhradné diely:


**[www.electrolux.com/shop](http://www.electrolux.com/shop)**

## STAROSTLIVOSŤ O ZÁKAZNÍKA A ZÁKAZNÍCKY SERVIS


Vždy používajte originálne náhradné diely.

Ak potrebujete kontaktovať autorizované servisné stredisko, uistite sa, že máte k dispozícii nasledujúce údaje: Model, číslo výrobku, sériové číslo.

Tieto informácie nájdete na typovom štítku.

 Upozornenie / Výstražné a bezpečnostné informácie

 Všeobecné informácie a tipy

 Informácie o životnom prostredí

Vyhradzujeme si právo na zmeny bez predchádzajúceho upozornenia.

## OBSAH

1. BEZPEČNOSTNÉ INFORMÁCIE.....	162
2. BEZPEČNOSTNÉ POKYNY.....	164
3. INŠTALÁCIA.....	167
4. POPIS VÝROBKU.....	169
5. KAŽDODENNÉ POUŽÍVANIE.....	169
6. TIPY A RADY.....	169
7. STAROSTLIVOSŤ A ČISTENIE.....	170
8. ODSTRAŇOVANIE PROBLÉMOV.....	170
9. TECHNICKÉ ÚDAJE.....	171
10. ENERGETICKÁ ÚČINNOSŤ.....	172
11. OCHRANA ŽIVOTNÉHO PROSTREDIA.....	173

## 1. BEZPEČNOSTNÉ INFORMÁCIE

Pred inštaláciou a používaním spotrebiča si pozorne prečítajte priložený návod na používanie. Výrobca nezodpovedá za zranenia ani za škody spôsobené

nesprávnou montážou alebo používaním. Tieto pokyny uskladnite na bezpečnom a prístupnom mieste, aby ste do nich mohli v budúcnosti nahliadnuť.

## **1.1 Bezpečnosť detí a zraniteľných osôb**

- Tento spotrebič smú používať deti staršie ako 8 rokov a osoby so zníženou fyzickou, zmyslovou alebo psychickou spôsobilosťou alebo nedostatkom skúseností a znalostí, iba ak sú pod dozorom zodpovednej osoby alebo ak boli zodpovednou osobou poučené o bezpečnom používaní spotrebiča a rozumejú prípadným rizikám. Deti do 8 rokov a osoby s vysokou mierou postihnutia nesmú mať prístup k spotrebiču, pokiaľ nie sú pod nepretržitým dozorom.
- Deti by mali byť pod dozorom, aby sa zabezpečilo, že sa so spotrebičom nebudú hrať.
- Obaly vždy uschovajte mimo dosah detí a náležite ich zlikvidujte.
- **UPOZORNENIE:** Nedovoľte deťom ani domácim zvieratám priblížiť sa k spotrebiču počas prevádzky alebo keď sa ochladzuje. Prístupné časti sa počas používania zohrejú na vysokú teplotu.
- Ak má spotrebič detskú poistku, mala by byť zapnutá.
- Deti nesmú spotrebič bez dozoru čistiť ani vykonávať žiadnu údržbu na spotrebiči.

## **1.2 Všeobecná bezpečnosť**

- **UPOZORNENIE:** Spotrebič a jeho prístupné časti sa počas používania môžu značne zahriať. Nedotýkajte sa ohrevných článkov.
- **UPOZORNENIE:** Varenie na varnom paneli s tukom alebo olejom bez dohľadu môže byť nebezpečné a môže spôsobiť požiar.
- **NIKDY** sa nepokúšajte zhasiť oheň vodou, ale vypnite spotrebič a potom zakryte plameň, napr. pokrievkou alebo nehorľavou pokrývkou.

- **UPOZORNENIE:** Spotrebič sa nesmie zapájať cez externé spínacie zariadenie, ako napr. časovač, ani nesmie byť zapojený do obvodu, ktorý sa pravidelne vypína a zapína.
- **VÝSTRAHA:** Proces prípravy jedla musí byť pod dozorom. Krátkodobý proces prípravy jedla si vyžaduje nepretržitý dozor.
- **UPOZORNENIE:** Nebezpečenstvo požiaru: Na varných povrchoch neskladujte žiadne predmety.
- Kovové predmety, napríklad nože, vidličky, lyžice a pokrievky by sa nemali klásť na povrch varného panela, pretože sa môžu zahriať.
- Spotrebič nepoužívajte pred jeho nainštalovaním do zabudovanej štruktúry.
- Na čistenie spotrebiča nepoužívajte parné čističe.
- Ak je sklokeramický/sklenený povrch prasknutý, vypnite spotrebič a odpojte ho z elektrickej siete. V prípade zapojenia spotrebiča do elektrickej siete priamo pomocou spojovacej skrinky odpojte spotrebič od sieťového napájania vybratím poistky. V oboch prípadoch kontaktujte autorizované servisné stredisko.
- Ak je poškodený elektrický napájací kábel, musíte ho dať vymeniť u výrobcu, v autorizovanom servise alebo kvalifikovanej osobe, aby sa predišlo nebezpečenstvu.
- **UPOZORNENIE:** Používajte iba také ochranné lišty varného panela, ktoré navrhol výrobca kuchynského spotrebiča, alebo ich výrobca kuchynského spotrebiča uvádza ako vhodné v návode na použitie, alebo ochranné lišty varného panela zahrnuté v spotrebiči. Použitie nevhodných ochranných líšt môže spôsobiť nehody.

## 2. BEZPEČNOSTNÉ POKYNY

### 2.1 Inštalácia



#### **VAROVANIE!**

Tento spotrebič smie nainštalovať iba kvalifikovaná osoba.



#### **VAROVANIE!**

Hrozí nebezpečenstvo poranenia alebo poškodenia spotrebiča.

- Odstráňte všetky obaly.

- Poškodený spotrebič neinštalujte ani nepoužívajte.
- Dodržiavajte pokyny na inštaláciu dodané so spotrebičom.
- Dodržiavajte požadovanú minimálnu vzdialenosť od iných spotrebičov a nábytku.
- Vždy dávajte pozor, ak presúvate spotrebič, pretože je ťažký. Vždy používajte ochranné rukavice a uzavretú obuv.
- Plochy výrezu utesnite tesniacim materiálom, aby ste predišli vydatiu spôsobenému vlhkosťou.
- Spodnú časť spotrebiča chráňte pred parou a vlhkosťou.
- Spotrebič neinštalujte vedľa dverí ani pod okno. Predídete tak zhodeniu horúceho kuchynského riadu zo spotrebiča pri otvorení dverí alebo okna.
- Ak je spotrebič nainštalovaný nad zásuvkami, uistite sa, že je priestor medzi spodnou časťou spotrebiča a hornou zásuvkou postačujúci na cirkuláciu vzduchu.
- Spodná časť spotrebiča sa môže zohriať. Zabezpečte inštaláciu oddelovacieho panelu z preglejky, kuchynského skeletového materiálu alebo iných nehorľavých materiálov pod spotrebič, aby ste zabránili prístupu k dolnej časti.
- Oddelovací panel musí plne zakrývať oblasť pod varným panelom.

## 2.2 Elektrické zapojenie



### **VAROVANIE!**

Nebezpečenstvo požiaru a zásahu elektrickým prúdom.

- Všetky elektrické zapojenia by mal vykonať kvalifikovaný elektroinštalatér.
- Spotrebič musí byť uzemnený.
- Pred akýmkoľvek zásahom odpojte spotrebič od elektrickej siete.
- Uistite sa, že parametre na typovom štítku sú kompatibilné s elektrickým napätím zdroja napájania.
- Skontrolujte, či je spotrebič správne nainštalovaný. Uvoľnený a nesprávny elektrický sieťový kábel alebo zástrčka (ak sa používa) môže spôsobiť nadmerné zohriatie zásuvky.
- Použite vhodný elektrický sieťový kábel.

- Elektrické sieťové káble sa nesmú zamotať.
- Skontrolujte, či je nainštalovaná ochrana proti zásahu elektrickým prúdom.
- Použite kábovú svorku na odľahčenie ťahu.
- Ak zapojíte nejaký elektrický spotrebič do elektrickej siete v blízkosti, dbajte na to, aby sa sieťový kábel alebo zástrčka (ak je k dispozícii) nedotýkala horúceho varného spotrebiča alebo horúcej kuchynského riadu.
- Nepoužívajte viaczásuvkové adaptéry ani predlžovacie káble.
- Uistite sa, že zástrčka (ak sa používa) alebo prírodný elektrický kábel nie sú poškodené. Ak treba vymeniť poškodený sieťový kábel, kontaktujte náš autorizovaný servis alebo elektrikára.
- Zariadenie na ochranu pred dotykom elektrických častí pod napätím a izolovaných častí treba namontovať tak, aby sa nedalo odstrániť bez nástrojov.
- Sieťovú zástrčku pripojte do sieťovej zásuvky až po dokončení inštalácie. Po inštalácii sa uistite, že máte prístup k sieťovej zástrčke.
- Ak je sieťová zásuvka uvoľnená, nezapájajte do nej sieťovú zástrčku.
- Spotrebič neodpájajte ťahaním za napájací kábel. Vždy ťahajte za sieťovú zástrčku.
- Použite iba správne odpájacie zariadenia: ochranné ističe alebo poistky (skrutkovacie poistky treba vybrať z držiaka), uzemnenia a stýkače.
- Elektrická sieť v domácnosti musí mať odpájacie zariadenie, ktoré umožní odpojenie spotrebiča od elektrickej siete na všetkých póloch. Vzdialenosť kontaktov odpájacieho zariadenia musí byť minimálne 3 mm.

## 2.3 Používanie



### **VAROVANIE!**

Hrozí nebezpečenstvo poranenia, popálenín alebo zásahu elektrickým prúdom.

- Pred prvým použitím odstráňte zo spotrebiča všetky obaly, značenia a ochrannú fóliu (ak je použitá).

- Tento spotrebič je určený iba na použitie v domácnosti (vo vnútri).
- Nemeňte technické parametre tohto spotrebiča.
- Uistite sa, že nie sú otvory vetrania zablokované.
- Spotrebič počas prevádzky nenechávajte bez dozoru.
- Po každom použití varnú zónu vypnite.
- Na varné zóny nekladte príbor ani pokrievky. Môžu sa zahriať.
- Spotrebič neobsluhujte s mokrymi rukami alebo keď je v kontakte s vodou.
- Spotrebič nepoužívajte ako pracovný alebo skladovací povrch.
- Ak je povrch spotrebiča popraskaný, okamžite ho odpojte od napájania. Zabrániť tým zásahu elektrickým prúdom.
- Keď vkladáte pokrm do horúceho oleja, môže olej vyprsknúť.



#### **VAROVANIE!**

Hrozí nebezpečenstvo požiaru a výbuchu.

- Tuky a oleje môžu pri zohriatí uvoľňovať horľavé výpary. Pri príprave pokrmov musia byť plamene alebo horúce predmety v dostatočnej vzdialenosti od tukov a olejov.
- Výpary, ktoré sa uvoľňujú z veľmi horúcich olejov, môžu spôsobiť spontánne vznietenie.
- Použitý olej, ktorý obsahuje zvyšky jedla, môže spôsobiť požiar pri nižšej teplote ako olej použitý po prvýkrát.
- Horľavé látky ani predmety, ktoré sú nasiaknuté horľavými látkami, nekladte do spotrebiča, do jeho blízkosti ani naň.



#### **VAROVANIE!**

Hrozí nebezpečenstvo poškodenia spotrebiča.

- Horúci kuchynský riad nenechávajte na ovládacom paneli.
- Na sklenený povrch varného panela nekladte horúcu pokrievku varnej nádoby.
- Nenechajte obsah kuchynského riadu vyvrieť.
- Dávajte pozor, aby na spotrebič nespadli predmety alebo kuchynský riad. Mohlo by dôjsť k poškodeniu povrchu spotrebiča.

- Varné zóny nikdy nepoužívajte s prázdny kuchynským riadom ani bez riadu.
- Na spotrebič nedávajte alobal.
- Riad vyrobený z liatiny, hliníka alebo s poškodeným dnom môže spôsobiť poškrabanie skla/sklokeramiky. Pri premiestňovaní týchto predmetov po varnom povrchu ich vždy nadvihnite.
- Tento spotrebič je určený iba na varenie. Nesmie byť použitý na iné účely, napríklad na vykurovanie miestnosti.

## 2.4 Starostlivosť a čistenie



#### **VAROVANIE!**

Neodstraňujte tlačidlá, gombíky alebo tesnenia z ovládacieho panela. Voda sa môže dostať dovnútra spotrebiča a spôsobiť škody.

- Spotrebič pravidelne čistite, aby ste predišli znehodnoteniu povrchového materiálu.
- Pred čistením spotrebiča ho vypnite a nechajte vychladnúť.
- Na čistenie spotrebiča nepoužívajte prúd vody ani paru.
- Spotrebič čistite vlhkou mäkkou handričkou. Používajte iba neutrálne saponáty. Nepoužívajte abrazívne výrobky, špongie s abrazívnou vrstvou, rozpúšťadlá ani kovové predmety.

## 2.5 Servis

- Ak treba dať spotrebič opraviť, obráťte sa na autorizované servisné stredisko. Používajte iba originálne náhradné diely.
- Informácie o žiarovke/žiarovkách vnútri tohto výrobku a náhradných dieloch osvetlenia, ktoré sa predávajú samostatne: Tieto žiarovky sú navrhnuté tak, aby odolali extrémnym podmienkam v domácich spotrebičoch, ako napr. teplota, vibrácie, vlhkosť, alebo slúžia ako ukazovatele prevádzkového stavu spotrebiča. Nie sú určené na používanie iným spôsobom a nie sú vhodné na osvetlenie priestorov v domácnosti.

## 2.6 Likvidácia



### VAROVANIE!

Hrozí nebezpečenstvo poranenia alebo udusenia.

- O likvidácii spotrebiča sa informujte na mestskom alebo obecnom úrade.
- Spotrebič odpojte od elektrickej siete.
- Prívodný elektrický kábel odrežte blízko pri spotrebiči a zlikvidujte ho.

## 3. INŠTALÁCIA



### VAROVANIE!

Pozrite si kapitoly ohľadne bezpečnosti.

### 3.1 Pred inštaláciou

Pred nainštalovaním varného panela si zapíšte informácie uvedené dolu na typovom štítku. Typový štítok s technickými údajmi je umiestnený na spodnej strane varného panela.

Model .....

Číslo výrobku

(PNC).....

Sériové číslo .....

### 3.2 Zabudovateľné varné panely

Zabudovateľné varné panely sa môžu používať až po zabudovaní do vhodnej skrinky alebo do pracovnej dosky, ktoré vyhovujú platným normám.

### 3.3 Prípájací kábel

- Varný panel sa dodáva s pripájacím káblom.
- Pri výmene poškodeného sieťového kábla použite kábel typu: H05V2V2-F ktorý odolá teplote 90 °C alebo vyššej. Obráťte sa na autorizované servisné stredisko. Výmenu pripájacieho kábla môže vykonať iba kvalifikovaný elektrikár.

### 3.4 Prípevnenie tesnenia – Inštalácia na povrch

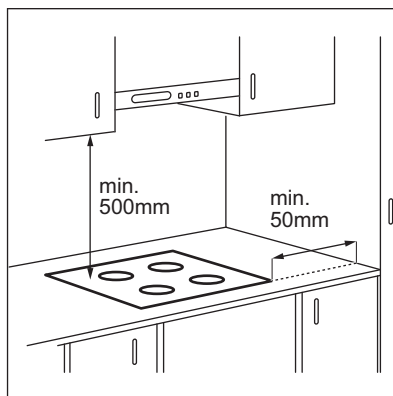
1. Očistite pracovnú plochu okolo vyrezanej plochy.
2. Na spodnej hrane varného panela pozdĺž vonkajšej hrany sklokeramiky nalepte dodávané tesnenie 2x6 mm. Pásku pritom neťahajte. Dbajte na to, aby sa

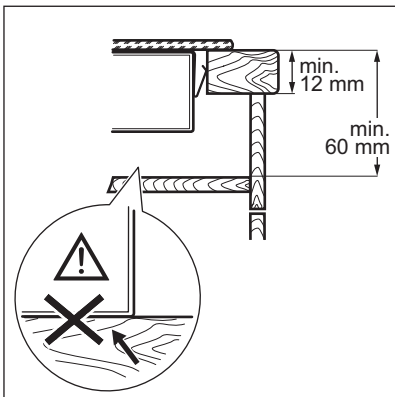
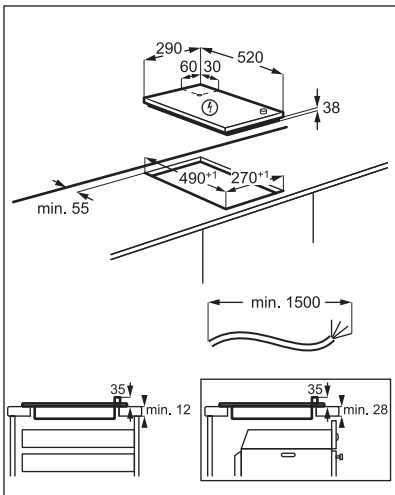
konce tesniacej pásky nachádzali v strede jednej strany varného panela.

3. Pri strihaní tesniacej pásky ponechajte niekoľko milimetrov navyše.
4. Prítlačte k sebe oba konce tesniacej pásky.

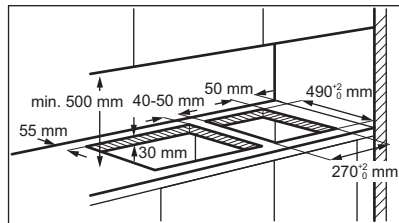
### 3.5 Montáž

Pri inštalácii varného panela pod odsávač pár si pozrite pokyny na inštaláciu odsávača pár pre minimálnu vzdialenosť medzi spotrebičmi.





### 3.6 Inštalácia viac ako jedného varného panelu



 **YouTube** [www.youtube.com/electrolux](http://www.youtube.com/electrolux)  
[www.youtube.com/aeg](http://www.youtube.com/aeg)

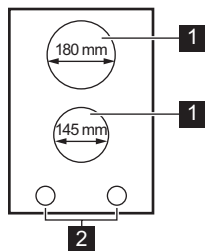
How to install your Electrolux  
 Domino Hob - Worktop installation





## 4. POPIS VÝROBKU

### 4.1 Rozloženie varnej plochy



- 1 Varná zóna
- 2 Otočné ovládače

### 4.2 Ovládač

Symbol	Funkcia
0	Poloha Vyp.
1 - 6	Varné stupne

### 4.3 Zvyškové teplo



#### **VAROVANIE!**

Hrozí nebezpečenstvo popálenia zvyškovým teplom.

## 5. KAŽDODENNÉ POUŽÍVANIE



#### **VAROVANIE!**

Pozrite si kapitoly ohľadne bezpečnosti.

### 5.1 Varný stupeň

Varný stupeň zmeníte alebo nastavíte otočením ovládača na správne nastavenie

varného stupňa. Varný stupeň vypnete otočením ovládača do polohy Vypnuté.

## 6. TIPY A RADY



#### **VAROVANIE!**

Pozrite si kapitoly ohľadne bezpečnosti.

### 6.1 Kuchynský riad

- Dno kuchynského riadku musí byť čo najhrubšie a najplochšie.

- Pred položením panvíc na povrch varného panela sa uistite, že sú ich dna čisté a suché.
- Aby ste predišli škrabancom, neposúvajte ani neodierajte hrniec po keramickom skle.



Kuchynský riad zo smaltovanej ocele s hliníkovým alebo medeným dnom môže spôsobiť zmenu sfarbenia na sklokeramickom povrchu.

## 6.2 Príklady použitia pri varení

### Varný stupeň: Používanie:

1 Uchovať teplé

### Varný stupeň: Používanie:

2	Mierne dusenie
3	Dusenie
4	Vyprážanie/prudké opekanie
5	Uvedenie do varu
6	Uvedenie do varu/intenzívne vyprážanie/fritovanie

## 7. STAROSTLIVOSŤ A ČISTENIE



### VAROVANIE!

Pozrite si kapitoly oľadne bezpečnosti.

### 7.1 Všeobecné informácie

- Varný panel po každom použití očistite.
- Dbajte na to, aby bola dolná časť kuchynského riadu vždy čistá.
- Škrabance a tmavé škvrny na povrchu neovplyvňujú to, ako varný panel funguje.
- Používajte špeciálny čistič určený na povrch varného panela.
- Použite špeciálnu škrabku na sklo.



Neodporúča sa odstraňovať otočné ovládače.

### 7.2 Čistenie varného panela

- **Okamžite odstráňte:** roztopený plast, plastová fólia, cukor a potraviny s cukrom,

inak môžu nečistoty spôsobiť poškodenie varného panela. Dávajte pozor, aby ste sa nepopáliili. Špeciálnu škrabku priložte na sklenený povrch tak, aby bola naklonená v ostrom uhle, a čepeľ posúvajte po povrchu.

- **Po dostatočnom vychladnutí varného panela odstráňte:** usadeniny vodného kameňa, škrvny od vody, masné škrvny, lesklé kovové farebné flaky. Varný panel vyčistite vlhkou handričkou s neabrazívnym čistiacim prostriedkom. Po čistení utrite varný panel mäkkou handričkou.
- **Odstráňte lesklé kovové flaky:** použite roztok vody a octu a vyčistite sklenený povrch handričkou.

## 8. ODSTRAŇOVANIE PROBLÉMOV



### VAROVANIE!

Pozrite si kapitoly oľadne bezpečnosti.

## 8.1 Čo robiť, ak...

Problém	Možná príčina	Náprava
Varný panel sa nedá zapnúť ani používať.	Varný panel nie je pripojený ku zdroju elektrického napájania alebo je pripojený nesprávne.	Skontrolujte, či je varný panel správne pripojený k zdroju elektrického napájania.
	Je vypálená poistka.	Uistite sa, že poruchu spôsobila poistka. Ak sa poistka vypáli opakovane, obráťte sa na kvalifikovaného elektrikára.

## 8.2 Ak nenájdete riešenie...

Ak problém nedokážete odstrániť sami, kontaktujte svojho predajcu alebo autorizované servisné stredisko. Uveďte údaje z typového štítku. Uveďte aj trojmiestny kód sklokeramiky (je v rohu skleneného povrchu). Uistite sa, že ste varný

panel používali správne. V opačnom prípade nebude servisný zásah servisného technika alebo predajcu bezplatný, a to ani počas záručnej doby. Informácie o záručnej dobe a autorizovaných servisných strediskách sú uvedené v záručnej brožúre.

## 9. TECHNICKÉ ÚDAJE

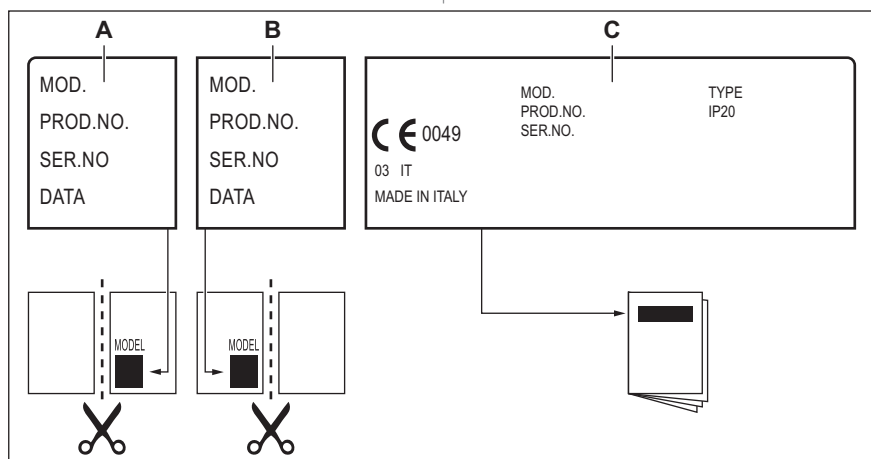
### 9.1 Špecifikácia varných zón

Varná zóna	Nominálny výkon (max. varný stupeň) [W]	Priemer varnej zóny [mm]
Predná v strede	1200	145
Zadná v strede	1700	180

Optimálne výsledky varenia dosiahnete použitím riadu s priemerom nie väčším ako je priemer varnej zóny.

## 9.2 Štítky dodané vo vrecku s príslušenstvom

Samolepiace štítky nalepte podľa nižšie uvedených pokynov:



- A.** Nalepte štítok na záručný list a túto časť pošlite (ak je k dispozícii).
- B.** Nalepte štítok na záručný list a túto časť si ponechajte (ak je k dispozícii).
- C.** Nalepte štítok na návod na používanie.

## 10. ENERGETICKÁ ÚČINNOSŤ

### 10.1 Informácie o výrobku\*

Identifikácia modelu		EHF3920BOK
Typ varného panelu		Vstavaný varný panel
Počet varných zón		2
Technológia ohrevu		Sálavé ohrevné teleso
Priemer kruhových varných zón (Ø)	Predná v strede Zadná v strede	14,5 cm 18,0 cm
Spotreba energie na varnú zónu (EC electric cooking)	Predná v strede Zadná v strede	194,9 Wh/kg 194,9 Wh/kg
Spotreba energie na varný panel (EC electric hob)		194,9 Wh/kg

\* Pre Európsku úniu podľa EU 66/2014. Pre Bielorusko podľa STB 2477-2017, príloha A. Pre Ukrajinu podľa 742/2019.

EN 60350-2 - Elektrické varné spotrebiče pre domácnosť – časť 2: Varné panely – metódy merania výkonu


## 10.2 Úspora energie


Ak budete postupovať podľa nižšie uvedených tipov, môžete pri každodennom varení ušetriť energiu.

- Ohrejte iba potrebné množstvo vody.
- Na kuchynský riad podľa možnosti vždy položte pokrievku.
- Kuchynský riad položte na varnú zónu ešte pred jej zapnutím.

- Dno riadu má mať rovnaký priemer ako varná zóna.
- Menší riad položte na menšie varné zóny.
- Kuchynský riad položte priamo na stred varnej zóny.
- Zvyškové teplo využite na udržiavanie teploty jedla alebo na roztopenie.

## 11. OCHRANA ŽIVOTNÉHO PROSTREDIA

Materiály označené symbolom odovzdajte na recykláciu.  Obal hodte do príslušných kontajnerov na recykláciu. Chráňte životné prostredie a zdravie ľudí a recyklujte odpad z elektrických a elektronických spotrebičov. Nelikvidujte spotrebiče označené symbolom

spolu s odpadom z domácnosti.  Výrobok odovzdajte v miestnom recyklačnom zariadení alebo sa obráťte na obecný alebo mestský úrad.

## GONDOLUNK ÖNRE

Köszönjük, hogy Electrolux készüléket választott. Egy olyan terméket választott, amely magában hordozza évtizedek szakmai tapasztalatát és innovációját. Zsenialitását és stílusos megjelenését az Ön igényei ihlették. Valahányszor csak használja, biztos lehet abban, hogy a benne foglalt tudás a siker garanciája.

Üdvözljük az Electrolux honlapján

**Látogasson el weboldalunkra az alábbiakért:**



Használattal kapcsolatos tanácsok, prospektusok, hibaelhárítási, szerviz- és javítási információk kérése:

**[www.electrolux.com/support](http://www.electrolux.com/support)**



Regisztrálja termékét a még kiválóbb szolgáltatásokért:

**[www.registerelectrolux.com](http://www.registerelectrolux.com)**



Tartozékok, segédanyagok és eredeti alkatrészek vásárlása a készülékhez:


**[www.electrolux.com/shop](http://www.electrolux.com/shop)**

## ÜGYFÉLSZOLGÁLAT ÉS SZERVIZ

Mindig eredeti cserealkatrészeket használjon.

Amikor felveszi a kapcsolatot a hivatalos szervizközponttal, gondoskodjon arról, hogy a következő adatok kéznél legyenek: Típus, PNC (termékszám), sorozatszám.

Az információk az adattáblán találhatóak.

 **Figyelem / Vigyázat – Biztonsági információk**

 **Általános információk és tanácsok**

 **Környezetvédelmi információk**

A változtatások jogát fenntartjuk.

## TARTALOM

1. BIZTONSÁGI INFORMÁCIÓK.....	174
2. BIZTONSÁGI UTASÍTÁSOK.....	177
3. ÜZEMBE HELYEZÉS.....	179
4. TERMÉKLEÍRÁS.....	181
5. NAPI HASZNÁLAT.....	181
6. HASZNOS TANÁCSOK ÉS JAVASLATOK.....	181
7. ÁPOLÁS ÉS TISZTÍTÁS.....	182
8. HIBAE LHÁRÍTÁS.....	183
9. MŰSZAKI ADATOK.....	183
10. ENERGIAHATÉKONYSÁG.....	184
11. KÖRNYEZETVÉDELMI TUDNIVALÓK.....	185

## 1. BIZTONSÁGI INFORMÁCIÓK

Az üzembe helyezés és használat előtt gondosan olvassa el a mellékelt útmutatót. A gyártó nem vállal felelősséget a

helytelen beszerelés vagy használat miatt keletkezett sérülésekért és károkért. Tartsa biztonságos és elérhető helyen az útmutatót, hogy szükség esetén mindig a rendelkezésére álljon.

## **1.1 Gyermekek és kiszolgáltatott személyek biztonsága**

- Ezt a készüléket 8 év feletti gyermekek, csökkent fizikai, érzékelési vagy szellemi képességekkel rendelkező felnőttek, illetve megfelelő tudással vagy gyakorlattal nem rendelkező személyek csak felügyelet mellett, vagy abban az esetben használhatják, ha megfelelő oktatást kaptak a készülék biztonságos használatára, és megértik az esetleges veszélyeket. A 8 évesnél fiatalabb gyermekek, illetve a súlyos, komplex fogyatékossgal élő személyek állandó felügyelet nélkül nem tartózkodhatnak a készülék közelében.
- Gondoskodni kell a gyermekek felügyeletéről, hogy ne játsszanak a készülékkel.
- Minden csomagolóanyagot tartson távol a gyermekektől, és megfelelően ártalmatlanítsa.
- FIGYELEM: A gyermekeket és kedvenc háziállatokat tartsa távol a készüléktől működés közben, és működés után, lehűléskor. Használat közben a készülék hozzáférhető részei felforrósodnak.
- Ha rendelkezik gyermekbiztonsági zárral a készülék, akkor azt be kell kapcsolni.
- Gyermekek felügyelet nélkül nem végezhetnek tisztítási vagy karbantartási tevékenységet a készüléken.

## **1.2 Általános biztonság**

- FIGYELEM: Használat közben a készülék és hozzáférhető részei nagyon felforrósodhatnak. Legyen óvatos, hogy ne érjen a fűtőelemekhez.
- FIGYELEM: Főzőlapon történő főzéskor az olaj vagy zsír felügyelet nélkül hagyása veszélyes lehet, és tűz keletkezhet.

- A tüzet SOHA NE próbálja meg eloltani vízzel, hanem kapcsolja ki a készüléket, és takarja le a lángokat például egy fedővel vagy tűzálló takaróval.
- FIGYELEM: A készüléket tilos külső kapcsolóeszközzel, például időzítővel ellátni, vagy olyan áramkörre kötni, amelyet rendszeresen be- és kikapcsolnak.
- VIGYÁZAT: Főzéskor a készüléket ne hagyja felügyelet nélkül. Rövid időtartamú főzéskor a készüléket tartsa folyamatosan felügyelet alatt.
- FIGYELEM: Tűzveszély: Ne tároljon semmit a főzőfelületeken.
- Soha ne tegyen a főzőlap felületére fémtárgyakat, mint pl. kések, kanalak, fedők, mivel azok felforrósodhatnak.
- A bútorba való beépítés előtt ne használja a készüléket.
- A készülék tisztításához ne használjon nagy nyomású gőzt.
- Ha repedést lát az üvegkerámia / üveg felületen, kapcsolja ki a készüléket, és húzza ki a konnektorból a dugvilláját. Amennyiben a készülék kötésdobozon keresztül közvetlenül csatlakozik az elektromos hálózathoz, vegye ki a biztosítékot a készülék elektromos hálózatról történő leválasztásához. Egyéb esetben forduljon a márkaszervizhez.
- Ha a hálózati kábel megsérül, azt a gyártónak vagy a hivatalos márkaszerviznek vagy más hasonlóan képzett személynek ki kell cserélnie, nehogy veszélyhelyzet álljon elő.
- FIGYELEM: Kizárólag a főzőlap gyártója által tervezett vagy a főzőlap gyártója által a használati útmutatóban javasolt, illetve a készülékhez mellékelte főzőlapvédő elemet használjon. A nem megfelelő védőelemek használata balesetet okozhat.



## 2. BIZTONSÁGI UTASÍTÁSOK

### 2.1 Üzembe helyezés



#### FIGYELMEZTETÉS!

A készüléket csak képezített személy helyezheti üzembe.



#### FIGYELMEZTETÉS!

Személyi sérülés vagy a készülék károsodásának veszélye áll fenn.

- Távolítsa el az összes csomagolóanyagot.
- Ne helyezzen üzembe, és ne is használjon sérült készüléket.
- Tartsa be a készülékhez mellékelt üzembe helyezési útmutatóban foglaltakat.
- Tartsa meg a minimális távolságot a többi készüléktől és egységtől.
- A készülék nehéz, ezért legyen körültekintő a mozgásakor. Mindig használjon munkavédelmi kesztyűt és zárt lábbelit.
- Megfelelő tömítőanyaggal védje a munkalap vágott felületeit a nedvesség ellen.
- Védje a készülék alját a gőztől és nedvességtől.
- Ne telepítse a készüléket ajtó mellé vagy ablak alá. Ezzel elkerülhető, hogy az ajtó vagy ablak kinyitásával leverje a forró fűzőedényt a készülékről.
- Amikor fiókok felett helyezi üzembe a készüléket, akkor ellenőrizze, hogy van-e megfelelő levegőkeringés a készülék alja és a felső fiók között.
- A készülék alja forróvá válhat. Feltétlenül tegyen funérból, tömör fából vagy más nem gyúlékony anyagból készült elválasztó lapot a készülék alá, hogy megakadályozza az aljával való érintkezést.
- Az elválasztó lapnak teljesen le kell fednie a fűzőlap alatti területet.

### 2.2 Elektromos csatlakoztatás



#### FIGYELMEZTETÉS!

Tűz- és áramütésveszély.

- Minden elektromos csatlakoztatást szakképzett villanszerelőnek kell elvégeznie.
- A készüléket kötelező földelni.
- Bármilyen beavatkozás előtt ellenőrizni kell, hogy a berendezés le lett-e választva az elektromos hálózatról.
- Ellenőrizze, hogy az adattáblán szereplő adatok megfelelnek-e a helyi elektromos hálózat paramétereinek.
- Ellenőrizze, hogy megfelelően van-e üzembe helyezve a készülék. A hálózati vezeték dugója (ha van) és a konnektor közötti gyenge vagy rossz érintkezés miatt a csatlakozás túlságosan felforrósodhat.
- Használjon megfelelő típusú hálózati kábelt.
- Ne hagyja, hogy az elektromos vezetékek összegabalyodjanak.
- Ügyeljen arra, hogy az érintésvédelem ki legyen építve.
- Használjon feszültségmentesítő bilincset a vezetékhez.
- Ügyeljen arra, hogy a hálózati kábel dugója (ha van) ne érjen a készülékhez vagy a forró fűzőedényekhez, amikor a készüléket a közeli csatlakozóaljzathoz csatlakoztatja.
- Ne használjon hálózati elosztókat és hosszabbító kábeleket.
- Ügyeljen a hálózati csatlakozódugó (ha van) és a hálózati kábel épségére. Ha a hálózati kábel cserére szorul, forduljon a márkaszervizünkhöz vagy egy villanszerelőhöz.
- A feszültség alatt álló és szigetelt alkatrészek érintésvédelmi részeit úgy kell rögzíteni, hogy szerszám nélkül ne lehessen eltávolítani azokat.
- Csak az üzembe helyezés befejezése után csatlakoztassa a hálózati csatlakozódugót a hálózati csatlakozóaljzatba. Ügyeljen arra, hogy a

hálózati dugasz üzembe helyezés után is könnyen elérhető legyen.

- Amennyiben a hálózati konnektor rögzítése laza, ne csatlakoztassa a csatlakozódugót hozzá.
- A készülék csatlakozásának bontására, soha ne a hálózati kábelnél fogva húzza ki a csatlakozódugót. A kábelt mindig a csatlakozódugónál fogva húzza ki.
- Kizárólag megfelelő szigetelőberendezést alkalmazzon: hálózati túlterhelésvédő megszakítót, biztosítékot (a tokból eltávolított csavaros típusú biztosítékot), földzárlatkioldót és védőrelét.
- Az elektromos készüléket szigetelőberendezéssel kell ellátni, amely lehetővé teszi, hogy minden fázison leválassza a készüléket az elektromos hálózatról. A szigetelőberendezésnek legalább 3 mm-es érintkezőtávolsággal kell rendelkeznie.

## 2.3 Használat



### FIGYELMEZTETÉS!

Sérülés-, égés- és áramütésveszély.

- Az első használat előtt távolítsa el a csomagolóanyagot, a tájékoztató címkéket és a védőfóliát (ha van).
- Ez a készülék kizárólag háztartási (beltéri) célokra használható.
- Ne változtassa meg a készülék műszaki jellemzőit.
- Ügyeljen arra, hogy a szellőzőnyílásokat ne zárja el semmi.
- Működés közben ne hagyja felügyelet nélkül a készüléket.
- Minden használat után kapcsolja ki a főzőzónákat.
- Soha ne tegyen a főzőzónákra evőeszközöket vagy fedőket. Ezek felforrósodhatnak.
- Ne működtesse a készüléket nedves kézzel, vagy amikor az vízzel érintkezik.
- Ne használja a készüléket munka- vagy tárolófelületként.
- Amennyiben a készülék felülete megrepedt, azonnal válassza le a készüléket az elektromos hálózatról. Ez a lépés az áramütés elkerüléséhez szükséges.

- Amikor az élelmiszert forró olajba helyezi, az olaj kifröccsenhet.



### FIGYELMEZTETÉS!

Tűz- és robbanásveszély

- A felforrósított zsírok és olajok gyúlékony gőzöket bocsáthatnak ki. Zsírral vagy olajjal való főzéskor tartsa azoktól távol a nyílt lángot és a forró tárgyakat.
- A nagyon forró olaj által kibocsátott gőzök öngyulladását okozhatnak.
- Az ételmaradékot tartalmazó használt olaj az első használatkor alkalmazott hőfoknál alacsonyabb értéken is tüzet okozhat.
- Ne tegyen gyúlékony anyagot vagy gyúlékony anyaggal szennyezett tárgyat a készülékbe, annak közelébe, illetve annak tetejére.



### FIGYELMEZTETÉS!

A készülék károsodásának veszélye áll fenn.

- Ne helyezzen forró főzőedényt a kezelőpanelre.
- Ne helyezzen forró fedőt a főzőlap üvegfelületére.
- Ne hagyja, hogy a főzőedényből elforrjon a folyadék.
- Ügyeljen arra, hogy ne ejtsen tárgyat vagy főzőedényt a készülékre. A készülék felülete megsérülhet.
- Üres főzőedénnyel vagy főzőedény nélkül ne kapcsolja be a főzőzónákat.
- Ne tegyen alufóliát a készülékre.
- Az öntöttvasból vagy alumínium öntvényből készült, illetve sérült aljú edények megkarcolhatják az üveg- / üvegkerámia felületet. Az ilyen tárgyakat mindig emelje fel, ha a főzőfelületen odébb szeretné helyezni ezeket.
- A készülék kizárólag ételkészítési célokat szolgál. Tilos bármilyen más célra, például helyiség fűtésére használni.

## 2.4 Ápolás és tisztítás



### FIGYELMEZTETÉS!

Ne távolítsa el a gombokat és tömítéseket a kezelőpanelről. Máskülönben a víz bejuthat a készülékbe, és meghibásodást okozhat.

- Rendszeresen tisztítsa meg a készüléket, hogy elkerülje a felület károsodását.
- Tisztítás előtt kapcsolja ki a készüléket, és hagyja lehűlni.
- A készülék tisztításához ne használjon vizsugarat vagy gőzt.
- A készüléket puha, nedves ruhával tisztítsa. Csak semleges tisztítószert használjon. Ne használjon súrolószert, súrolószivacsot, oldószert vagy fém tárgyat.

## 2.5 Szolgáltatások

- A készülék javítását bízza a márkaszervizre. Mindig eredeti cserealkatrészt használjon.
- A termékben található izzó(k)ra és a külön kapható pótizzókra vonatkozó tudnivalók: Ezek az izzók arra készültek, hogy megfeleljenek a háztartási készülékekben

fennálló szélsőséges fizikai feltételeknek, mint például hőmérséklet, rezgés, magas páratartalom, illetve arra használatosak, hogy jelezzék a készülék működési állapotát. Nem alkalmasak egyéb felhasználásra, valamint helyiségek megvilágítására.

## 2.6 Ártalmatlanítás



### FIGYELMEZTETÉS!

Sérülés- vagy fulladásveszély.

- A készülék ártalmatlanítására vonatkozó tájékoztatásért lépjen kapcsolatba a helyi hatóságokkal.
- Válassza le a készüléket az elektromos hálózatról.
- A készülék közelében vágja át a hálózati kábelt, és tegye a hulladékba.

## 3. ÜZEMBE HELYEZÉS



### FIGYELMEZTETÉS!

Lásd a „Biztonság” című fejezetet.

### 3.1 Az üzembe helyezés előtt

A főzőlap üzembe helyezése előtt másolja le az adattábláról az alábbi adatokat. Az adattábla a főzőlap alján található.

Típus .....  
 PNC (Termékszám) .....  
 Sorozatszám .....

### 3.2 Beépített főzőlapok

Csak azután használhatja a beépített főzőlapot, miután beszerelte azt a szabványoknak megfelelő beépített szekrénybe és munkafelületbe.

### 3.3 Csatlakozókábel

- A főzőlap egy csatlakozókábelrel.
- A megsérült hálózati kábel pótlásához használja a következő vezetéktípust: H05V2V2-F, mely 90 °C-os vagy magasabb hőmérsékletnek is ellenáll. Vegye fel a kapcsolatot egy hivatalos

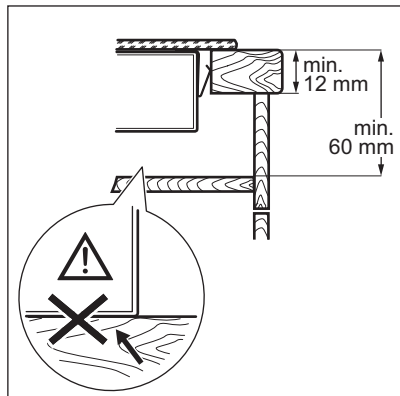
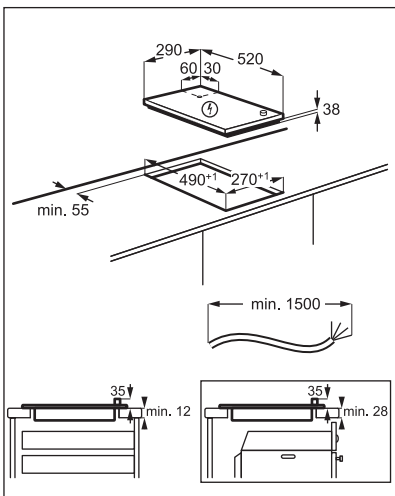
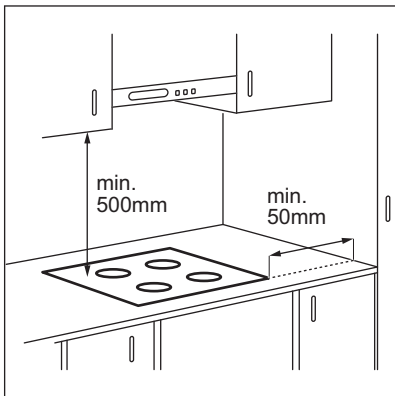
szervizzel. A csatlakozókábel cseréjét csak képzett villanyszerelő végezheti.

### 3.4 A tömítés felerősítése - Munkalapra szerelés

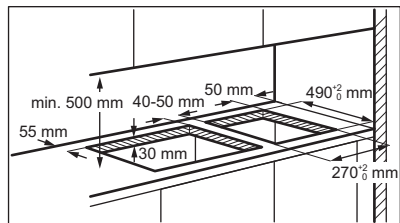
1. Tisztítsa meg a munkalapon a kivágási terület környékét.
2. Helyezze fel a mellékelt 2x6 mm-es tömítőcsíkot a főzőlap alsó szélére, az üvegkerámia külső széle mentén. Eközben ne nyújtsa. Ügyeljen arra, hogy a tömítőcsík végei a főzőlap egyik oldalának közepén helyezkedjenek el.
3. Hagyjon rá néhány millimétert, amikor a tömítőcsíkot a megfelelő hosszúságúra vágja.
4. Illessze egymáshoz a tömítőcsík két végét.

### 3.5 Összeállítás

Amennyiben a főzőlapot páraelszívó alá építi be, tekintse meg a készülékek között minimálisan betartandó távolságokat a páraelszívó üzembe helyezési útmutatójában.



### 3.6 Több főzőlap együttes üzembe helyezése



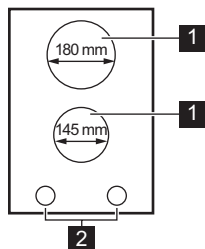
[www.youtube.com/electrolux](http://www.youtube.com/electrolux)  
[www.youtube.com/aeg](http://www.youtube.com/aeg)

How to install your Electrolux  
 Domino Hob - Worktop installation



## 4. TERMÉKLEÍRÁS

### 4.1 Főzőfelület elrendezése



- 1 Főzőzóna
- 2 Szabályozógombok

### 4.2 Vezérlőgomb

Szimbólum	Funkció
0	Kikapcsolt pozíció
1 - 6	Hőfokbeállítások

### 4.3 Maradékhő



#### FIGYELMEZTETÉS!

A maradékhő miatt égési sérülés veszélye áll fenn.

## 5. NAPI HASZNÁLAT



#### FIGYELMEZTETÉS!

Lásd a „Biztonság” című fejezetet.

### 5.1 A hőfokbeállítás

A hőfok beállításához vagy módosításához fordítsa a gombot a megfelelő

hőfokbeállításra. A kikapcsoláshoz forgassa a gombot kikapcsolt állásba.

## 6. HASZNOS TANÁCSOK ÉS JAVASLATOK



#### FIGYELMEZTETÉS!

Lásd a „Biztonság” című fejezetet.

## 6.1 Főzőedény

- A főzőedény aljának a lehető legvastagabbnak és leglaposabbnak kell lennie.
- Ügyeljen arra, hogy a serpenyők alja tiszta és száraz legyen, mielőtt a főzőlapra helyezi azokat.
- A karcolódás elkerülése érdekében ne csúsztassa és ne húzza az edényt az üvegkerámián.



A zománcozott acél-, illetve az alumínium- vagy rézaljú edények az üvegkerámia felület elszíneződését válthatják ki.

## 6.2 Példák az alkalmazására

**Hőmér- Alkalmazási terület:  
séklet  
beállítá-  
sa:**

1 Melegen tartás

**Hőmér- Alkalmazási terület:  
séklet  
beállítá-  
sa:**

2	Lassú párolás
3	Párolás
4	Sütés / pirítás
5	Felforralás
6	Felforralás / hirtelen sütés / olajfűrdőben sütés

## 7. ÁPOLÁS ÉS TISZTÍTÁS



### FIGYELMEZTETÉS!

Lásd a „Biztonság” című fejezetet.

### 7.1 Általános információ

- Minden használat után tisztítsa meg a főzőlapot.
- Mindig olyan főzőedényeket használjon, amelyeknek tiszta az alja.
- A felületen található kis karcolások vagy foltok nem befolyásolják a főzőlap működését.
- A főzőlap felületének tisztításához megfelelő tisztítószerrel használjon.
- Az üvegfelületekhez használjon speciális kaparót.



A kezelógombok eltávolítása nem javasolt.

### 7.2 A főzőlap tisztítása

- **Azonnal távolítsa el:** a megolvadt műanyagot, folpackot, a cukrot, valamint a

cukortartalmú ételeket, máskülönb a szennyeződés károsíthatja a főzőlapot. Az égési sérülés megelőzésére körültekintéssel járjon el. Állítsa éles szögben az üvegkerámia felületre a kaparókést, majd csúsztassa végig a pengét a felületen.

- **Távolítsa el, miután a főzőlap megfelelően lehűlt:** vízkőkarikák, vízgyűrűk, zsírfoltok, fényes, fémes elszíneződések. Nem karcoló tisztítószerrel és megnedvesített ruhával tisztítsa meg a főzőlapot. A tisztítás után puha ruhával törölje szárazra a főzőlapot.
- **Fényes, fémes elszíneződés eltávolítása:** ecetes vízzel megnedvesített ruhával tisztítsa meg az üvegfelületet.

## 8. HIBAELHÁRÍTÁS



### FIGYELMEZTETÉS!

Lásd a „Biztonság” című fejezetet.

### 8.1 Mi a teendő, ha ...

Probléma	Lehetséges ok	Megoldás
Nem lehet elindítani vagy üzemeltetni a főzőlapot.	A főzőlap nincs csatlakoztatva az elektromos hálózathoz, vagy csatlakoztatása nem megfelelő.	Ellenőrizze, hogy a főzőlap megfelelően van-e csatlakoztatva az elektromos hálózathoz.
	Leolvadt a biztosíték.	Ellenőrizze, hogy a biztosíték okozza-e a meghibásodást. Ha a biztosíték többször is leolvad, hívjon szakképzett villanszerelőt.

### 8.2 Ha nem talál megoldást...

Ha nem talál megoldást egyedül a problémára, forduljon a márkakereskedőhöz vagy a hivatalos márkaszervizhez. Adja meg az adatokat az adattábláról. Adja meg az üvegkerámia három karakterből álló betűkódját is (az üvegfelület sarkában található). Ellenőrizze, hogy a főzőlapot

megfelelően üzemeltette-e. Ha nem megfelelően üzemeltette a készüléket, az ügyfélszolgálat szerelője vagy az eladó kiszállása nem lesz ingyenes, még a garanciális időszakban sem. A garanciális időszakkal és a márkaszervizekkel kapcsolatos tájékoztatást a jótállási jegyben találja meg.

## 9. MŰSZAKI ADATOK

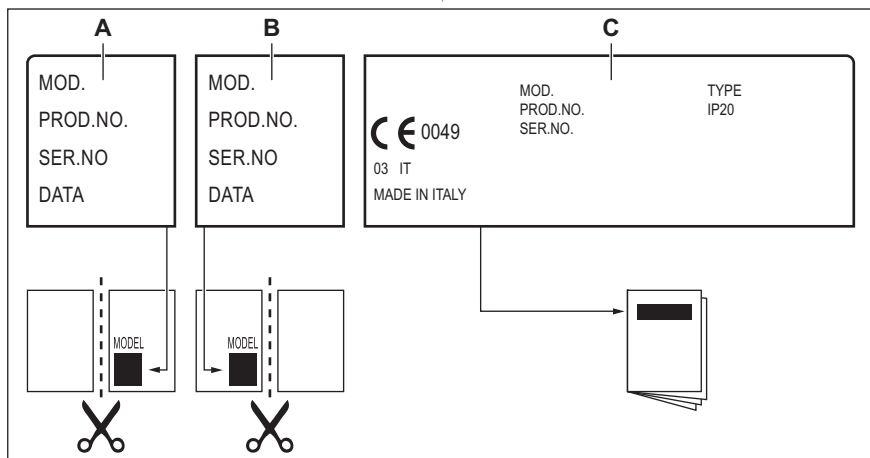
### 9.1 Főzőzónák jellemzői

Főzőzóna	Névleges teljesítmény (Max. hőfok-beállítás) [W]	Főzőzóna átmérője [mm]
Középső első	1200	145
Középső hátsó	1700	180

Az optimális főzési eredmény érdekében olyan főzőedényt használjon, melynek átmérője nem haladja meg a főzőzóna átmérőjét.

## 9.2 A tartozékok zacskójában található címkék

Az öntapadó címkéket az alább látható módon helyezze fel:



- A. Ragassza a garancia lapra, és küldje el ezt a részét (ha rendelkezésre áll).
- B. Ragassza a garancia lapra, és tartsa meg ezt a részét (ha rendelkezésre áll).
- C. Ragassza a felhasználói kézikönyvre.

## 10. ENERGIAHATÉKONYSÁG

### 10.1 Termékismertető\*

Modellazonosító	EHF3920BOK	
Főzőlap típusa	Beépített főzőlap	
Főzőzónák száma	2	
Fűtési technológia	Sugárzóelemes fűtőegység	
Kör alakú főzőzónák átmérője (Ø)	Középső első Középső hátsó	14,5 cm 18,0 cm
Energiafogyasztás főzőzónánként (EC electric cooking)	Középső első Középső hátsó	194,9 Wh/kg 194,9 Wh/kg
Főzőlap energiafogyasztása (EC electric hob)	194,9 Wh/kg	

\*Az Európai Unió számára a következő szerint: EU 66/2014. Fehéroroszország számára a következő szerint: STB 2477-2017, „A” melléklet. Ukrajna számára a következő szerint: 742/2019.





## 10.2 Energiatakarékosság

A mindennapos főzés közben energiát takaríthat meg az alábbi ötletek betartásával.

- Víz melegítésekor csak a szükséges vízmennyiséget használja.
  - Lehetőség szerint mindig tegyen fedőt a főzőedényre.
  - A főzőedényt már bekapcsolás előtt helyezze a főzőzónára.
- Az edényaljak és a főzőzónák átmérőjének mindig meg kell egyezniük.
  - A kisebb főzőedényt a kisebb főzőzónára helyezze.
  - A főzőedényt a főzőzóna közepére helyezze.
  - A maradékhot használja az étel melegen tartásához vagy felolvasztásához.

## 11. KÖRNYEZETVÉDELMI TUDNIVALÓK

A  következő jelzéssel ellátott anyagokat hasznosítsa újra. Újrahasznosításhoz tegye a megfelelő konténerekbe a csomagolást. Járuljon hozzá környezetünk és egészségünk védelméhez, és hasznosítsa újra az elektromos és elektronikus hulladékot. A  tiltó szimbólummal ellátott

készüléket ne dobja a háztartási hulladék közé. Juttassa el a készüléket a helyi újrahasznosító telepre, vagy lépjen kapcsolatba a hulladékkezelésért felelős hivatallal.

## МИСЛИМ ЗА ВАС

Благодарим Ви, че закупихте уред на Electrolux. Избрахте продукт, който носи в себе си десетилетия професионален опит и иновации. Оригинален и стилен, той е създаден с мисъл за Вас. Затова, когато го използвате, можете да сте сигурни, че всеки път ще постигате страхотни резултати. Добре дошли в Electrolux.

**Посетете нашия уебсайт за:**



Вижте полезни съвети за употреба, брошури, отстраняване на неизправности, информация за сервиз и ремонт:

**[www.electrolux.com/support](http://www.electrolux.com/support)**



Регистрирайте Вашия продукт за по-добро обслужване:

**[www.registerelectrolux.com](http://www.registerelectrolux.com)**



Купете аксесоари, консумативи и оригинални резервни части за Вашия уред:

**[www.electrolux.com/shop](http://www.electrolux.com/shop)**


## ОБСЛУЖВАНЕ НА КЛИЕНТИ


Винаги използвайте оригинални резервни части.

Когато се свързвате с нашия оторизиран отдел „Обслужване“, трябва да имате под ръка следната информация: Модел, PNC, сериен номер.

Информацията може да бъде открита на табелката с основни данни

 Предупреждение / Внимание–Информация за безопасност

 Обща информация и съвети

 Информация за околната среда

Запазваме си правото на изменения.

## СЪДЪРЖАНИЕ

1. ИНФОРМАЦИЯ ЗА БЕЗОПАСНОСТ.....	186
2. ИНСТРУКЦИИ ЗА БЕЗОПАСНОСТ.....	189
3. МОНТАЖ.....	191
4. ОПИСАНИЕ НА УРЕДА.....	193
5. ВСЕКИДНЕВНА УПОТРЕБА.....	193
6. ПРЕПОРЪКИ И СЪВЕТИ.....	193
7. ГРИЖА И ПОЧИСТВАНЕ.....	194
8. ОТСТРАНЯВАНЕ НА НЕИЗПРАВНОСТИ.....	195
9. ТЕХНИЧЕСКИ ДАННИ.....	195
10. ЕНЕРГИЙНА ЕФЕКТИВНОСТ.....	196
11. ОПАЗВАНЕ НА ОКОЛНАТА СРЕДА.....	197

## 1. ИНФОРМАЦИЯ ЗА БЕЗОПАСНОСТ

Преди монтирането и употребата на уреда внимателно прочетете предоставените инструкции. Производителят

не е отговорен за наранявания или повреди в резултат на неправилна инсталация или употреба. Винаги дръжте инструкциите на безопасно и лесно достъпно място за справка в бъдеще.

## **1.1 Безопасност за деца и лица в неравностойно положение**

- Този уред може да бъде използван от деца над 8-годишна възраст, както и от лица с намалени физически, сетивни и умствени възможности или от лица без опит и познания, само ако те са под наблюдение или бъдат инструктирани относно безопасната употреба на уреда и разбират възможните рискове. Деца под 8-годишна възраст и хора с тежки или комплексни увреждания трябва да се държат далеч от уреда, освен ако не са под постоянно наблюдение.
- Децата трябва да бъдат под наблюдение, за да се гарантира, че не си играят с уреда.
- Дръжте всички опаковки далече от деца и изхвърлете опаковките по местните правила.
- **ПРЕДУПРЕЖДЕНИЕ:** Пазете децата и домашните любимци далече от уреда, когато работи или когато изстива. Има достъпни части, които се нагряват по време на употреба.
- Ако уредът има устройство за детска безопасност, то трябва да се активира.
- Деца не трябва да извършват почистване или поддръжка на уреда, когато са без надзор.

## **1.2 Основна безопасност**

- **ПРЕДУПРЕЖДЕНИЕ:** Уредът и неговите достъпни части се нагорещават по време на употреба. Трябва да се внимава и да се избягва докосване на нагряващите се елементи.
- **ПРЕДУПРЕЖДЕНИЕ:** Готвенето с животинска или растителна мазнина без надзор може да е опасно и да предизвика пожар.

- НИКОГА не се опитвайте да загасите пожар с вода, а изключете уреда и след това покрийте пламъка напр. с капак или огнеупорно одеяло.
- ПРЕДУПРЕЖДЕНИЕ: Уредът не трябва да е захранван чрез външно превключващо устройство като таймер или да е свързан към електрическа верига, която постоянно се включва и изключва от устройство.
- ВНИМАНИЕ: Процесът на готвене трябва да бъде наблюдаван. Краткият процес на готвене трябва да бъде наблюдаван постоянно.
- ПРЕДУПРЕЖДЕНИЕ: Опасност от пожар: Не съхранявайте предмети върху повърхностите за готвене.
- Метални предмети като ножове, вилици, лъжици и капаци не трябва да се поставят върху гот. плот, тъй като могат да се загреят.
- Не използвайте уреда, преди да го инсталирате във вградената конструкция.
- Не почиствайте уреда с парочистачка.
- Ако стъклокерамичната / стъклената повърхност е напукана, изключете уреда и го изключете от електрическата мрежа. В случай че уредът е свързан директно към електрическата мрежа с помощта на съединителна кутия, премахнете предпазителя, за да изключите уреда от електрическата мрежа. Във всеки един случай се свържете с оторизирания сервизен център.
- Ако захранващият кабел е повреден, той трябва да се смени от производителя, оторизиран сервиз или лица със сходна квалификация, за да се избегне опасност.
- ПРЕДУПРЕЖДЕНИЕ: Използвайте само предпазители за котлони разработени от производителя или упоменати от него в инструкциите за употреба, или предпазители за котлони вградени в уреда. Използването на неподходящи предпазители може да доведе до злополуки.

## 2. ИНСТРУКЦИИ ЗА БЕЗОПАСНОСТ

### 2.1 Монтаж



#### **ВНИМАНИЕ!**

Само квалифицирано лице може да извърши монтажа на уреда.



#### **ВНИМАНИЕ!**

Опасност от нараняване или повреда на уреда.

- Махнете всички опаковки.
- Не монтирайте и не използвайте повреден уред.
- Следвайте инструкциите за инсталиране, приложени към уреда.
- Трябва да спазвате минималното разстояние до други уреди и устройства.
- Винаги внимавайте, когато местите уреда, тъй като е тежък. Винаги използвайте предпазни ръкавици и затворени обувки.
- Уплътнете срязаните повърхности с уплътнител, за да предотвратите издуване поради влага.
- Предпазвайте долната част на уреда от пара и влага.
- Не монтирайте уреда близо до врата или под прозорец. Така ще предотвратите падането на горещи готварски съдове от уреда, когато се отвори вратата или прозорецът.
- Ако уредът е монтиран над шкафови, уверете се, че разстоянието между дъното на уреда и горния шкаф е достатъчно за циркулация на въздуха.
- Дъното на уреда може да се нагорещи. Монтирайте разделителен панел под уреда, изработен от шперплат, негоримо дърво или други негорими материали, за да предотвратите достъп до дъното.
- Разделящият панел трябва изцяло да покрива областта под плочата.

### 2.2 Свързване към електрическата мрежа



#### **ВНИМАНИЕ!**

Риск от пожар или токов удар.

- Всички ел. връзки трябва да се направят от квалифициран електротехник.
- Уредът трябва да е заземен.
- Преди за извършване на действие, уверете се, че уредът е изключен от електрозахранването.
- Уверете се, че параметрите на табелката с технически данни са съвместими с електрическите данни на захранващата мрежа.
- Уверете се, че уредът е инсталиран правилно. Хлабави и неправилни електрически кабели или щепсели (ако са налични) могат да доведат до пренагряване на клемите.
- Използвайте правилен кабел за захранването.
- Не позволявайте електрическите кабели да се преплитат.
- Уверете се, че е монтирана защита от токов удар.
- Закрепете кабела с притягаща скоба против опъване.
- Уверете се, че кабелът за електрозахранването и щепсела (ако е наличен) не се докосват до нагорещения уред или горещи съдове за готвене, когато включите уреда в близките контакти.
- Не използвайте разклонители или адаптери с много входи.
- Не повреждайте захранващия щепсел (ако е наличен) и захранващия кабел. Свържете се с нашия оторизиран сервизен център или електротехник за смяната на повреден захранващ кабел.
- Защитата от токов удар на горещите и изолирани части трябва да бъде затегната по такъв начин, че да не може да се отстрани без инструменти.
- Свържете кабела за захранването към контакта единствено в края на инсталацията. Уверете се, че щепселът

за хранване е достъпен след инсталирането.

- Ако контактът е разхлабен, не свързвайте хранващия щепсел.
- Не издърпвайте хранващия кабел, за да изключите уреда. Винаги издърпвайте щепсела на хранването.
- Използвайте само правилни устройства за изолация: предпазни прекъсвачи на мрежата, предпазители (предпазителите от винтов тип трябва да се извадят от фасунгата), изключватели и контактори за утечка на заземяването.
- Електрическата инсталация трябва да има изолиращо устройство, което Ви позволява да изключите уреда от ел. мрежата при всички полюси. Изолиращото устройство трябва да е с ширина на отваряне на контакта минимум 3 мм.

## 2.3 Употреба



### **ВНИМАНИЕ!**

Риск от нараняване, изгаряния и токов удар.

- Махнете всички опаковки, етикети и защитното фолио (ако има) преди първата употреба.
- Този уред е предназначен само за домашна (на закрито) употреба.
- Не променяйте предназначението на уреда.
- Уверете се, че вентилационните отвори не са блокирани.
- Не оставяйте уреда без надзор по време на работа.
- След всяка употреба изключвайте зоната за готвене.
- Не поставяйте прибори или капаци от тигани и тенджери върху зоните за готвене. Могат да се нагорещят.
- Не работете с уреда с мокри ръце или когато има контакт с вода.
- Не използвайте уреда като работна повърхност или повърхност за съхранение.
- Ако повърхността на уреда е напукана, незабавно изключете уреда от хранването. Това се прави с цел предотвратяване на токов удар.

- Когато поставяте храна в горещо олио, може да пръска.



### **ВНИМАНИЕ!**

Опасност от пожар или експлозия

- Нагорещените мазнини или масло могат да доведат до отделяне на възпламеними пари. Не доближавайте пламък или нагорещени предмети до мазнината или маслото, когато готвите с такива.
- Парите, които отделя много нагорещеното масло, могат да доведат до внезапно възпламеняване.
- Използваното масло, което може да съдържа остатъци от храна, може да причини пожар при по-ниска температура в сравнение с маслото, използвано за първи път.
- Не поставяйте запалими продукти или предмети, които са намокрени със запалими продукти, в близост до уреда или върху него.



### **ВНИМАНИЕ!**

Опасност от повреда в уреда.

- Не оставяйте горещи готварски съдове върху контролното табло.
- Не поставяйте горещ капак на тиган върху стъклената повърхност на плота.
- Не оставяйте течността в готварските съдове да изври напълно.
- Не позволявайте върху уреда да падат предмети или готварски съдове. Повърхността може да се повреди.
- Не активирайте зоните за готвене при празни готварски съдове или ако няма готварски съдове.
- Не поставяйте алуминиево фолио върху уреда.
- Съдове за готвене от чугун, алуминий или с повредено дъно, могат да надраскат стъклото/стъклокерамиката. Винаги повдигайте тези предмети нагоре, когато трябва да ги преместите по плочата за готвене.
- Този уред е предназначен само за готвене. Той не трябва да бъде използван за никакви други цели, например отопление на помещения.

## 2.4 Грижа и почистване



### ВНИМАНИЕ!

Не премахвайте бутоните, ключовете или уплътненията от командното табло. В уреда може да влезе вода и да причини щети.

- Почиствайте редовно уреда, за да предотвратите увреждане на повърхностния материал.
- Изключете уреда и го оставете да се охлади, преди да го почистите.
- Не използвайте водоструйка или пара, за да почистите уреда.
- Почистете уреда с мокра и мека кърпа. Използвайте само неутрални препарати. Не използвайте абразивни продукти, грапави, почистващи кърпи, разтворители или метални предмети.

## 2.5 Обслужване

- За поправка на уреда се свържете соторизирания сервизен център. Използвайте само оригинални резервни части.

- Относно лампата(ите) вътре в този продукт и резервните лампи, продавани отделно: Тези лампи са предназначени да издържат на екстремни физически условия в домакински уреди, като температура, вибрации, влажност или са предназначени да сигнализират информация за работното състояние на уреда. Те не са предназначени за използване в други приложения и не са подходящи за осветяване на помещения в домакинството.

## 2.6 Изхвърляне



### ВНИМАНИЕ!

Риск от нараняване или задушаване.

- Свържете се с общинските власти за информация как да изхвърлите уреда.
- Изключете уреда от електрозахранването.
- Извадете захранващия ел. кабел в близост до уреда и го изхвърлете.

# 3. МОНТАЖ



### ВНИМАНИЕ!

Вж. глава "Безопасност".

## 3.1 Преди монтажа

Преди да инсталирате плочата, по-долу запишете информацията от табелката с данни. Табелката с основните данни е разположена в долната част на плочата.

Модел .....  
Номер на продукт  
(PNC) .....  
Сериен номер .....

## 3.2 Вградени плочи

Вградените плочи могат да се използват само след като са монтирани в подходящи вградени единици и работни плотове, които отговарят на стандартите.

## 3.3 Свързващ кабел

- Плочата се доставя със свързващ кабел.
- За да подмените повреден захранващ кабел, използвайте кабел тип: H05V2V2-F, който издържа на температура от 90°C или по-висока. Свържете се с упълномощен сервизен център. Свързващият кабел може да се подменя само от квалифициран електротехник.

## 3.4 Закрепване на уплътнението - Монтаж отгоре

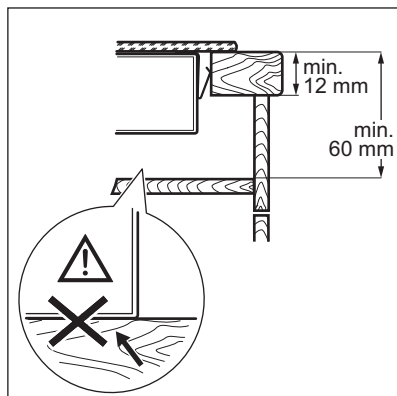
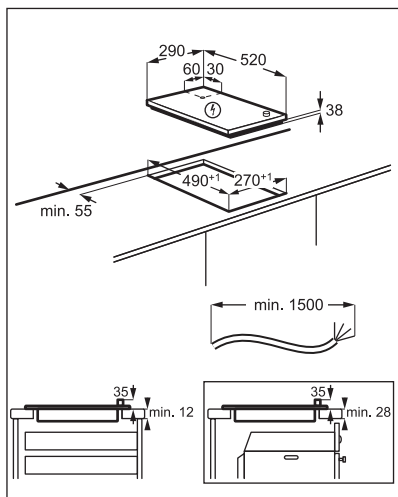
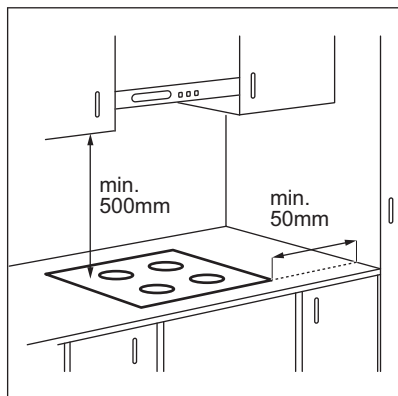
1. Почистете плота около изрязаната зона.
2. Прилепете доставената уплътнителна лента 2x6 мм върху долния ръб на плочата, по външния ръб на стъклокерамиката. Не я растягайте.

Уверете се, че краищата на уплътнителната лента са поставени в средата на едната страна на плочата.

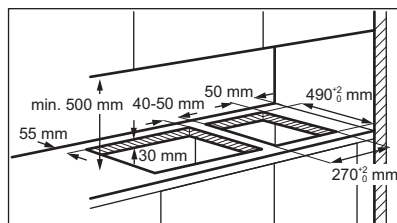
3. Добавете няколко милиметра към дължината, когато режете уплътнителната лента.
4. Съединете двата края на уплътнителната лента един с друг.

### 3.5 Сглобяване

Ако инсталирате плот под панела на абсорбатора, моля, вижте минималното разстояние между уредите в инструкциите за монтаж на абсорбатора.



### 3.6 Монтаж на повече от една плоча



[www.youtube.com/electrolux](http://www.youtube.com/electrolux)  
[www.youtube.com/aeag](http://www.youtube.com/aeag)

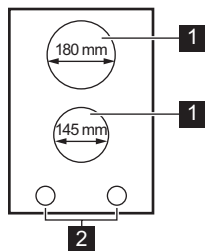
How to install your Electrolux  
Domino Hob - Worktop installation





## 4. ОПИСАНИЕ НА УРЕДА

### 4.1 Разположение на повърхността за готвене



- 1 Зона за готвене
- 2 Копчета за управление

### 4.2 Копче за управлениена плочата

Символ	Функция
0	Положение Изключено (Off).
1 - 6	Настройки за затопляне

### 4.3 Остатъчна топлина



#### ВНИМАНИЕ!

Съществува риск от изгаряне, вследствие на остатъчна топлина.

## 5. ВСЕКИДНЕВНА УПОТРЕБА



#### ВНИМАНИЕ!

Вж. глава "Безопасност".

копчето на правилната степен на нагриване. За деактивиране завъртете копчето на изключена позиция.

### 5.1 Степента на нагриване

За да зададете или промените настройката за топлина, завъртете

## 6. ПРЕПОРЪКИ И СЪВЕТИ



#### ВНИМАНИЕ!

Вж. глава "Безопасност".

### 6.1 Готварски съдове

- Дъното на готварския съд трябва да е колкото може по-дебело и плоско.

- Уверете се, че дъната на съдовете са чисти и сухи, преди да ги поставите на повърхността на плота.
- За да избегнете одрасквания, не плъзгайте или трийте съда по керамичното стъкло.



Готварски съдове, изработени от емайлирана стомана и с алуминиеви или медни дъна, могат да предизвикат промяната в цвета на стъкло керамичната повърхност.

## 6.2 Примери на приложения за готвене

**Температурна настройка:** Приложение:

1 Поддържане в топло състояние

**Температурна настройка:** Приложение:

2	Леко варене на тих огън
3	Варене на тих огън
4	Пържене / запичане
5	Кипване
6	Кипване / бързо пържене / дълбоко пържене

## 7. ГРИЖА И ПОЧИСТВАНЕ



**ВНИМАНИЕ!**  
Вж. глава "Безопасност".

### 7.1 Обща информация

- Почиствайте плота след всяка употреба.
- Винаги използвайте готварски съдове с чисто дъно.
- Надрасквания или тъмни петна по повърхността не влияят на работата на плота.
- Използвайте специален почистващ препарат, предназначен за повърхността на плота.
- Използвайте специално стъргало за стъклото.



Не се препоръчва да махате копчетата.

### 7.2 Почистване на плочата

- **Отстранявайте незабавно:** разтопена пластмаса, пластмасово фолио, захар

и храна със захар, в противен случай замърсяването може да повреди плочата. Внимавайте да не се изгорите. Използвайте специалната стъргалка на стъклокерамичната повърхност под остър ъгъл и плъзгайте острието по повърхността.

- **Отстранете, когато плочата е достатъчно изстинала:** следи от варовик, вода, петна от мазнина, лъскави металически обезцветявания. Почиствайте плочата с влажна кърпа и малко почистващ препарат. След почистване подсушете плочата с мека кърпа.
- **Премахнете бляскави метални драскотини:** използвайте разтвор от вода и оцет и почистете стъклената повърхност с мокър парцал.

## 8. ОТСТРАНЯВАНЕ НА НЕИЗПРАВНОСТИ



### ВНИМАНИЕ!

Вж. глава "Безопасност".

### 8.1 Как да постъпите, ако...

Проблем	Възможна причина	Корекция
Не можете да активирате или да работите с котлона.	Котлонът не е свързан към електрозахранването или е свързан неправилно.	Проверете дали котлонът е свързан правилно към електрозахранването.
	Предпазителят е изгорял.	Уверете се, че предпазителят е причината за неизправността. Ако предпазителят продължава да изгаря, свържете се с квалифициран електротехник.

### 8.2 Ако не можете да намерите решение...

Ако не можете да намерите решение на проблема сами, обърнете се към търговеца си или към упълномощен сервизен център. Дайте данните от табелката с данни. Съобщете трицифрения код на стъклокерамиката (той се намира в ъгъла на стъклената

повърхност). Уверете се, че сте работили правилно с плочата. Ако уредът не се обслужва от сервизен техник или продавач, сервизирането ще се заплаща, дори да бъде извършено по време на гаранционния срок. Информацията за гаранционния срок и оторизираните сервизни центрове се намира в гаранционната книжка.

## 9. ТЕХНИЧЕСКИ ДАННИ

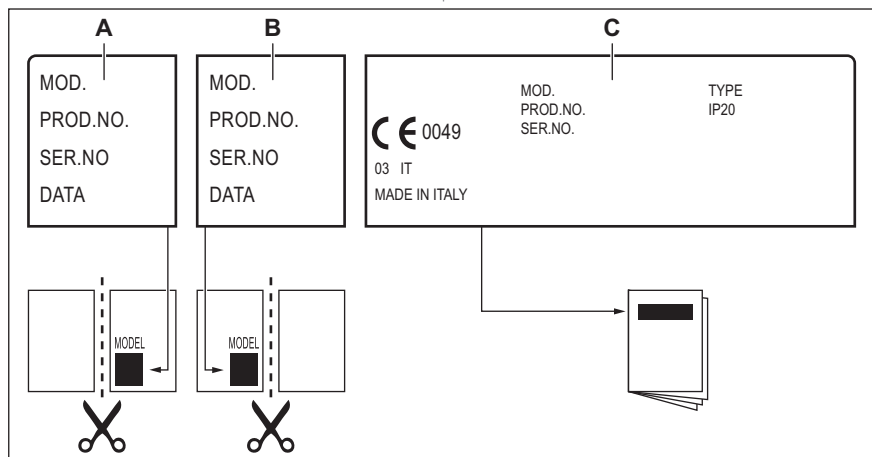
### 9.1 Спецификация на зоните за готвене

Зона за готвене	Номинална мощност (при максимална топлинна настройка) [W]	Диаметър на зоната за готвене [mm]
Предна средна	1200	145
Задна средна	1700	180

За оптимални резултати при готвене, използвайте готварски съдове, не по-големи от диаметъра на зоната за готвене.

## 9.2 Предоставени етикети с чантата с принадлежности

Прикрепете залепващите етикети, както е показано по-долу:



- A.** Залепете го върху гаранционната карта и изпратете тази част (ако е приложимо).
- B.** Залепете го върху гаранционната карта и запазете тази част (ако е приложимо).

- C.** Залепете го върху книжката с инструкциите.

## 10. ЕНЕРГИЙНА ЕФЕКТИВНОСТ

### 10.1 Информация за продукта\*


Идентификация на модела	EHF3920BOK	
Вид на плота	Плот за вграждане	
Брой зони за готвене	2	
Технология за загряване	Лъчист нагревател	
Диаметър на кръговите зони за готвене (Ø)	Предна средна Задна средна	14,5 см 18,0 см
Енергийна консумация на зона за готвене (EC electric cooking)	Предна средна Задна средна	194,9 Wh / kg 194,9 Wh / kg
Енергийна консумация на котлона (EC electric hob)	194,9 Wh / kg	


## 10.2 Енергоспестяващи

Може да спестите енергия по време на ежедневното ви готвене, ако следвате съветите по-долу.

- Когато загревате вода използвайте само количеството което ви трябва.
  - Ако е възможно, винаги поставяйте капак на готварските съдове.
  - Преди да активирате зоните за готвене, поставете съдовете за готвене върху тях.
- Дъното на съдът за готвене трябва да има същият диаметър като зоната за готвене.
  - Сложете малките готварски съдове на малките зони за готвене.
  - Сложете готварските съдове върху центъра на зоната за готвене.
  - Използвайте остатъчната топлина, за да запазите храната топла или да я разтопите.

## 11. ОПАЗВАНЕ НА ОКОЛНАТА СРЕДА

Рециклирайте материалите със символа . Поставяйте опаковките в съответните контейнери за рециклирането им. Помогнете за опазването на околната среда и човешкото здраве, както и за рециклирането на отпадъци от електрически и електронни уреди. Не

изхвърляйте уредите, означени със символа , заедно с битовата смет. Върнете уреда в местния пункт за рециклиране или се обърнете към вашата общинска служба.

## NE GÂNDIM LA DVS

Vă mulțumim că ați achiziționat un aparat Electrolux. Ați ales un produs rezultat în urma a zeci de ani de experiență profesională și inovație. Ingenios și stilat, a fost conceput gândindu-vă la Dvs. Pentru ca să fiți asigurat că aveți toate cunoștințele necesare pentru obținerea unor rezultate extraordinare de fiecare dată când îl folosiți.

Bine ați venit la Electrolux.

**Vizitați site-ul nostru pentru:**



A găsi sfaturi privind utilizarea, broșuri, informații pentru depanare, service și reparații:

**[www.electrolux.com/support](http://www.electrolux.com/support)**



A vă înregistra produsul pentru a beneficia de servicii mai bune:

**[www.registerelectrolux.com](http://www.registerelectrolux.com)**



A cumpăra accesorii, consumabile și piese de schimb originale pentru aparatul dvs.:


**[www.electrolux.com/shop](http://www.electrolux.com/shop)**


## ASISTENȚĂ PENTRU CLIENȚI ȘI SERVICE


Utilizați întotdeauna piese de schimb originale.

Atunci când contactați Centrul nostru de service autorizat, asigurați-vă că aveți la dispoziție următoarele informații: Model, PNC, Număr de serie.

Informațiile pot fi găsite pe plăcuța cu date tehnice.

 Avertisment / Atenție - Informații privind siguranța

 Informații și sfaturi generale

 Informații privind mediul înconjurător

Ne rezervăm dreptul asupra efectuării de modificări.

## CUPRINS

1. INFORMAȚII PRIVIND SIGURANȚA.....	198
2. INSTRUCȚIUNI DE SIGURANȚĂ.....	201
3. INSTALAREA.....	203
4. DESCRIEREA PRODUSULUI.....	205
5. UTILIZAREA ZILNICĂ.....	205
6. INFORMAȚII ȘI SFATURI.....	205
7. ÎNGRIJIREA ȘI CURĂȚAREA.....	206
8. DEPANAREA.....	206
9. DATE TEHNICE.....	207
10. EFICIENȚĂ ENERGETICĂ.....	208
11. INFORMAȚII PRIVIND MEDIUL.....	209

## 1. INFORMAȚII PRIVIND SIGURANȚA

Înainte de instalarea și de utilizarea aparatului, citiți cu atenție instrucțiunile furnizate. Producătorul nu este responsabil

pentru nicio vătămare sau daună rezultată din instalarea sau utilizarea incorectă. Păstrați permanent instrucțiunile într-un loc sigur și accesibil pentru o consultare ulterioară.

### **1.1 Siguranța copiilor și a persoanelor vulnerabile**

- Acest aparat poate fi utilizat de copiii cu vârsta mai mare de 8 ani, de persoanele cu capacități fizice, senzoriale sau mentale reduse sau de persoanele ne-experimentate doar sub supraveghere sau după o scurtă instruire care să le ofere informațiile necesare despre utilizarea sigură a aparatului și să le permită să înțeleagă pericolele la care se expun. Copiii cu vârsta mai mică de 8 ani și persoanele cu dizabilități profunde și complexe nu trebuie lăsate să se apropie de aparat dacă nu sunt supravegheate permanent.
- Copiii trebuie supravegheați pentru a vă asigura că nu se joacă cu aparatul.
- Nu lăsați ambalajele la îndemâna copiilor și aruncați-le conform reglementărilor.
- **AVERTISMENT:** Nu lăsați copiii și animalele să se apropie de aparat când este în funcțiune sau când se răcește. Părțile accesibile devin fierbinți în timpul funcționării.
- Dacă aparatul are un dispozitiv de siguranță pentru copii, acesta trebuie activat.
- Copiii nu vor realiza operațiunile de curățare sau de întreținere care revin utilizatorului aparatului fără a fi supravegheați.

### **1.2 Aspecte generale privind siguranța**

- **AVERTISMENT:** Aparatul și piesele accesibile ale acestuia devin fierbinți pe durata utilizării. Aveți grijă să nu atingeți elementele de încălzire.
- **AVERTISMENT:** Gătirea neasistată la plită folosind grăsimi sau ulei poate fi periculoasă și poate provoca un incendiu.
- Nu încercați NICIODATĂ să stingeți focul cu apă. Opriți aparatul și acoperiți flacăra cu un capac sau cu o pătură anti-incendiu.

- **AVERTISMENT:** Aparatul nu trebuie să fie alimentat de la un dispozitiv de comutare extern, cum ar fi un temporizator, și nu trebuie conectat la un circuit care este cuplat și decuplat în mod regulat de rețea.
- **ATENȚIE:** Procesul de gătit trebuie supravegheat. Un proces de gătit pe termen scurt trebuie supravegheat permanent.
- **AVERTISMENT:** Pericol de incendiu: Nu depozitați nimic pe suprafețele de gătit.
- Obiectele de metal, de ex. cuțitele, furculițele, lingurile și capacele nu trebuie puse pe suprafața plitei, deoarece se pot înfierbânta.
- Nu folosiți aparatul înainte de a-l instala în structura încastrată.
- Nu folosiți un aparat de curățat cu abur pentru a curăța aparatul.
- Dacă suprafața ceramică / de sticlă este crăpată, opriți aparatul și deconectați-l de la sursa de alimentare. În cazul în care aparatul este conectat direct la sursa de alimentare folosind cutia de conexiuni, scoateți siguranța pentru a deconecta aparatul de la sursa de curent. În ambele cazuri, contactați Centrul de service autorizat.
- În cazul în care cablul de alimentare este deteriorat, acesta trebuie înlocuit de producător, de un service autorizat sau de persoane cu o calificare similară pentru a se evita pericolul.
- **AVERTISMENT:** Folosiți doar opritoare realizate de producătorul aparatului de gătit sau indicate de producătorul aparatului în instrucțiunile de utilizare ca fiind adecvate sau opritoare incluse în aparat. Utilizarea unor opritoare neadecvate poate produce accidente.



## 2. INSTRUCȚIUNI DE SIGURANȚĂ

### 2.1 Instalarea



#### AVERTISMENT!

Doar o persoană calificată trebuie să instaleze acest aparat.



#### AVERTISMENT!

Pericol de vătămare personală sau deteriorare a aparatului.

- Îndepărtați toate ambalajele.
- Dacă aparatul este deteriorat, nu îl instalați sau utilizați.
- Urmați instrucțiunile de instalare furnizate împreună cu aparatul.
- Respectați distanțele minime față de alte aparate și corpuri de mobilier.
- Aveți întotdeauna grijă când mutați aparatul deoarece acesta este greu. Folosiți întotdeauna mănuși de protecție și încălțăminte închisă.
- Închideți etanș suprafețele tăiate cu un agent de etanșare pentru ca umezeala să nu umfle materialul.
- Protejați partea de jos a aparatului de abur și umezeală.
- Nu așezați aparatul lângă o ușă sau sub o fereastră. Astfel, vasele fierbinți de pe aparat nu vor cădea atunci când ușa sau fereastra va fi deschisă.
- Dacă aparatul este așezat deasupra unor sertare, verificați dacă spațiul dintre partea de jos a aparatului și sertarul de sus este suficient pentru a permite circulația aerului.
- Baza aparatului poate deveni fierbinte. Instalați sub aparat un panou de separare realizat din furnir, material pentru cabinete de bucătărie sau alte materiale neinflamabile pentru a împiedica accesul la bază.
- Panoul de separare trebuie să acopere complet zona de sub plită.

### 2.2 Conexiunea electrică



#### AVERTISMENT!

Pericol de incendiu și electrocutare.

- Toate conexiunile electrice trebuie realizate de către un electrician calificat.
- Aparatul trebuie legat la o priză cu împământare.
- Înainte de a efectua orice tip de operație, asigurați-vă că ați deconectat aparatul de la sursa de curent.
- Asigurați-vă că parametrii de pe plăcuța cu date tehnice sunt compatibili cu valorile nominale ale sursei de alimentare.
- Verificați dacă aparatul a fost instalat corect. Cablurile de alimentare electrică și ștecherule (dacă există) slăbite sau incorecte pot să provoace încălzirea excesivă a terminalului.
- Folosiți un cablu adecvat pentru alimentarea electrică.
- Nu permiteți încălcirea cablurilor electrice.
- Verificați dacă este instalată protecția la electrocutare.
- Folosiți o clemă pentru reducerea tensionării cablului.
- Nu lăsați cablul de alimentare sau ștecherul (dacă există) să atingă aparatul fierbinte sau vase fierbinți atunci când conectați aparatul la prizele din vecinătate.
- Nu folosiți prize multiple și cabluri prelungitoare.
- Procedați cu atenție pentru a nu deteriora ștecherul (dacă există) sau cablul de alimentare electrică. Contactați Centrul nostru de service autorizat sau un electrician pentru a schimba un cablu de alimentare deteriorat.
- Protecția la electrocutare a pieselor aflate sub tensiune și izolate trebuie fixată astfel încât să nu permită scoaterea ei fără folosirea unor unelte.
- Introduceți ștecherul în priză numai după încheierea procedurii de instalare. Asigurați accesul la priză după instalare.
- Dacă priza de curent prezintă jocuri, nu conectați ștecherul.

- Nu trageți de cablul de alimentare pentru a scoate din priză aparatul. Trageți întotdeauna de ștecher.
- Folosiți doar dispozitive de izolare adecvate: întrerupătoare pentru protecția liniei, siguranțe (siguranțe înfiletabile scoase din suport), contactori și declanșatori la protecția de împământare.
- Instalația electrică trebuie să fie prevăzută cu un dispozitiv de izolare, care să vă permită să deconectați aparatul de la rețea la toți polii. Dispozitivul izolator trebuie să aibă o deschidere între contacte de cel puțin 3 mm.

### 2.3 Modul de utilizare



#### **AVERTISMENT!**

Pericol de vătămare, arsuri și electrocutare.

- Scoateți toate ambalajele, etichetele și foliile de protecție (dacă există) înainte de prima utilizare.
- Acest aparat este destinat exclusiv pentru uz casnic (la interior).
- Nu modificați specificațiile acestui aparat.
- Verificați dacă orificiile de ventilație nu sunt blocate.
- Nu lăsați aparatul nesupravegheat în timpul funcționării.
- După fiecare utilizare, opriți zona de gătit.
- Nu puneți tacâmuri sau capace de oale pe zonele de gătit. Acestea pot deveni fierbinți.
- Nu acționați aparatul având mâinile umede sau când acesta este în contact cu apa.
- Nu utilizați aparatul ca suprafață de lucru sau ca loc de depozitare.
- Dacă suprafața aparatului este crăpată, deconectați imediat aparatul de la rețeaua electrică. Astfel, veți preveni electrocutarea.
- Când puneți alimente în ulei fierbinte, pot să sară stropi.



#### **AVERTISMENT!**

Pericol de incendiu și explozie

- Grăsimile și uleiul, când sunt încălzite, pot elibera vapori inflamabili. Nu apropiați flăcări sau obiecte încălzite de grăsimi și uleiuri când gătiți.

- Vaporii pe care uleiul foarte fierbinte îi eliberează pot să se aprindă spontan.
- Uleiul folosit, care conține resturi de mâncare, poate lua foc la temperaturi mai mici decât uleiul care este utilizat pentru prima dată.
- Produsele inflamabile sau obiectele umedite cu produse inflamabile nu trebuie introduse în aparat, nici puse alături sau deasupra acestuia.



#### **AVERTISMENT!**

Pericol de deteriorare a aparatului.

- Nu țineți vase pe panoul de comandă.
- Nu puneți un capac fierbinte pe suprafața de sticlă a plitei.
- Aveți grijă să nu se evaporeze tot lichidul din vase.
- Procedați cu atenție pentru a nu lăsa obiecte sau vase să cadă pe aparat. Suprafața poate fi deteriorată.
- Nu activați zonele de gătit dacă pe acestea nu se află vase sau vasele sunt goale.
- Nu puneți folie din aluminiu pe aparat.
- Vasele realizate din fontă, aluminiu sau cu bazele deteriorate pot zgăria suprafața din sticlă / vitroceramică. Ridicați întotdeauna aceste obiecte atunci când trebuie să le mutați pe plita de gătit.
- Acest aparat poate fi utilizat numai pentru gătit. Nu trebuie utilizat în alte scopuri, de exemplu pentru încălzirea camerei.

### 2.4 Îngrijirea și curățarea



#### **AVERTISMENT!**

Nu scoateți butoanele, butoanele de selectare sau garniturile din panoul de comandă. Ar putea intra apă în aparat și să provoace daune.

- Curățați regulat aparatul pentru a preveni deteriorarea materialului de la suprafață.
- Înainte de curățare, opriți cuptorul și lăsați-l să se răcească.
- Nu folosiți apă pulverizată și abur pentru curățarea aparatului.
- Curățați aparatul cu o lavetă moale, umedă. Utilizați numai detergenți neutri.

Nu folosiți produse abrazive, bureți abrazivi, solvenți sau obiecte metalice.

## 2.5 Serviciul de asistență tehnică

- Pentru a repara aparatul contactați Centrul de service autorizat. Utilizați doar piese de schimb originale.
- Referitor la becul (becurile) din acest produs și becurile de schimb vândute separat: Aceste becuri sunt concepute pentru a suporta situațiile fizice extreme din aparatele electrocasnice, cum ar fi cele de temperatură, vibrație, umiditate sau au rolul de a semnaliza informații privitoare la starea operațională a aparatului. Acestea nu sunt destinate

utilizării în alte aplicații și nu sunt adecvate pentru iluminarea camerelor din locuință.

## 2.6 Eliminare



### AVERTISMENT!

Pericol de vătămare sau sufocare.

- Contactați autoritatea locală pentru informații privind eliminarea aparatului.
- Deconectați aparatul de la sursa de alimentare electrică.
- Tăiați cablul de alimentare electrică chiar de lângă aparat și aruncați-l.

## 3. INSTALAREA



### AVERTISMENT!

Consultați capitolele privind siguranța.

### 3.1 Înaintea instalării

Înaintea instalării plitei, notați informațiile de mai jos aflate pe plăcuța cu date tehnice. Plăcuța cu datele tehnice se află pe partea inferioară a plitei.

Model .....  
Numărul produsului  
(PNC) .....  
Numărul de serie .....

### 3.2 Plitele încorporate

Utilizați plite încorporate numai după ce asamblați plita în unități de mobilier și suprafețe de lucru ce corespund standardelor.

### 3.3 Cablu de conectare

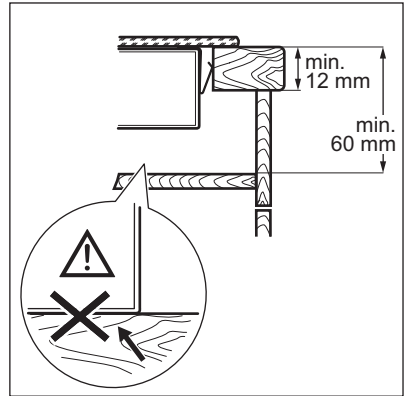
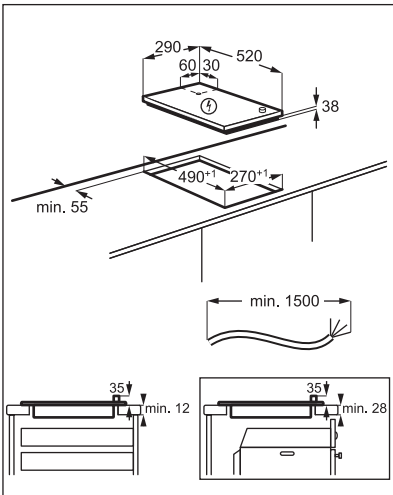
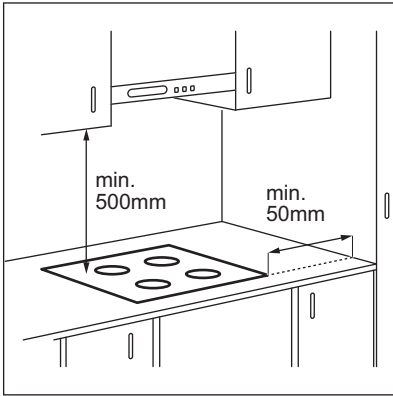
- Plita este furnizată cu un cablu de conexiune.
- Pentru a înlocui cablul de alimentare deteriorat, folosiți următorul tip de cablu: H05V2V2-F care rezistă la o temperatură de 90°C sau mai ridicată. Contactați un Centru de service autorizat. Cablul de conectare poate fi înlocuit doar de un electrician calificat.

### 3.4 Prinderea garniturii - Instalarea pe blat

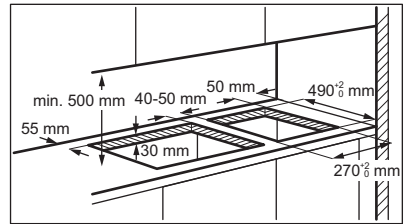
1. Curățați blatul în jurul zonei decupate.
2. Prindeți garnitura de etanșare de 2x6 mm furnizată în jurul părții inferioare a plitei, de-a lungul marginii suprafeței vitroceramice. Nu o întindeți. Asigurați-vă că poziționarea capetelor garniturii se face în mijlocul unei laturi a plitei.
3. Lăsați în plus câțiva milimetri când tăiați garnitura de etanșare la lungimea dorită.
4. Uniți ambele capete ale garniturii.

### 3.5 Asamblare

Dacă instalați plita sub o hotă, consultați instrucțiunile de instalare a hotei pentru a afla distanța minimă dintre aparate.



### 3.6 Instalarea mai multor plite



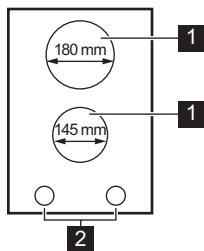
[www.youtube.com/electrolux](http://www.youtube.com/electrolux)  
[www.youtube.com/aeg](http://www.youtube.com/aeg)

How to install your Electrolux  
 Domino Hob - Worktop installation



## 4. DESCRIEREA PRODUSULUI

### 4.1 Aranjarea suprafeței de gătire



- 1** Zonă de gătit
- 2** Butoane de comandă

### 4.2 Butonul de comandă

Simbol	Funcție
0	Poziția oprit
1 - 6	Setări încălzire

### 4.3 Căldura reziduală



#### AVERTISMENT!

Există riscul de arsuri din cauza căldurii reziduale.

## 5. UTILIZAREA ZILNICĂ



#### AVERTISMENT!

Consultați capitolele privind siguranța.

### 5.1 Nivelul de căldură

Pentru a seta sau modifica nivelul de căldură, rotiți butonul de selectare la nivelul

de căldură corect. Pentru dezactivare, rotiți butonul de selectare la poziția oprit.

## 6. INFORMAȚII ȘI SFATURI



#### AVERTISMENT!

Consultați capitolele privind siguranța.

### 6.1 Vase de gătit

- Baza vasului trebuie să fie cât mai groasă și cât mai plată posibil.

- Asigurați-vă că bazele vaselor sunt curate și uscate înainte de a le pune pe suprafața plitei.
- Pentru a evita zgârierea, nu glisați sau frecăți vasul pe sticla vitroceramică.



Vasele din oțel emailat sau cu fund din aluminiu sau cupru poate duce la modificarea culorii suprafeței vitroceramice.

## 6.2 Exemple de aplicații de gătit

Nivel de căldură:	Aplicație:
-------------------	------------

1	Menținere la cald
---	-------------------

Nivel de căldură:	Aplicație:
-------------------	------------

2	Fierbere ușoară la foc mic
---	----------------------------

3	Fierbere înăbușită
---	--------------------

4	Prăjire / rumenire
---	--------------------

5	Încălzire până la punctul de fierbere
---	---------------------------------------

6	Încălzire până la punctul de fierbere / prăjire rapidă / prăjire în mult ulei
---	---

## 7. ÎNGRIJIREA ȘI CURĂȚAREA



**AVERTISMENT!**  
Consultați capitolele privind siguranța.

### 7.1 Informații cu caracter general

- Curățați plita după fiecare utilizare.
- Utilizați întotdeauna vase cu baza curată.
- Zgârierurile sau petele închise la culoare de pe suprafața plitei nu au niciun efect asupra funcționării plitei.
- Folosiți un agent de curățare special, adecvat pentru suprafața plitei.
- Folosiți o racletă specială pe sticlă.



Nu se recomandă scoaterea butoanelor.

### 7.2 Curățarea plitei

- **Înlăturați imediat:** plastic topic, folie de plastic, zahăr sau alimente care conțin

zahăr, în caz contrar mizeria poate deteriora plita. Aveți grijă să nu vă ardeți. Folosiți o racletă specială pe suprafața vitrată, la un unghi mare și îndepărtați resturile de pe suprafață.

- **Eliminați după ce plita s-a răcit suficient:** depunerile de calcar, pete de apă și de grăsime, decolorări metalice strălucitoare. Curățați plita cu o lavetă umedă și un detergent ne-abraziv. După curățare, ștergeți plita cu o lavetă moale.
- **Îndepărtați decolorarea metalică lucioasă:** folosiți o soluție cu apă și oțet și curățați suprafața de sticlă cu o lavetă.

## 8. DEPANAREA



**AVERTISMENT!**  
Consultați capitolele privind siguranța.

## 8.1 Ce trebuie făcut dacă...

Problemă	Cauză posibilă	Soluție
Plita nu poate fi pornită sau utilizată.	Plita nu este conectată la o sursă electrică sau este conectată incorect.	Verificați dacă plita este conectată corect la priza electrică.
	Siguranța este arsă.	Verificați dacă siguranța este cauza defecțiunii. Dacă siguranța se arde în mod repetat, contactați un electrician calificat.

## 8.2 Dacă nu puteți găsi o soluție...

Dacă nu puteți găsi singur o soluție la problemă, adresați-vă comerciantului sau unui Centru de service autorizat. Furnizați informațiile de pe plăcuța cu date tehnice. Menționați și codul format din trei caractere pentru vitroceramică (se află în colțul

suprafeței de sticlă). Asigurați-vă că ați utilizat corect plita. În caz contrar, trebuie să plătiți intervenția tehnicianului de la centrul de service sau a distribuitorului, chiar și în perioada de garanție. Informațiile despre perioada de garanție și Centrele de service autorizate se regăsesc în cartea de garanție.

## 9. DATE TEHNICE

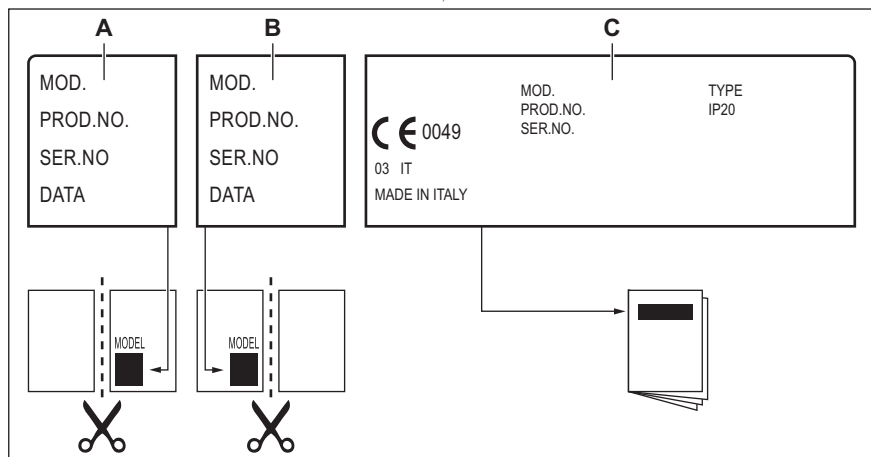
### 9.1 Specificațiile zonelor de gătit

Zonă de gătit	Putere nominală (nivel maxim de căldură) [W]	Diametrul zonei de gătit [mm]
Mijloc față	1200	145
Mijloc spate	1700	180

Pentru rezultate optime la gătit, folosiți vase care nu sunt mai mari decât diametrul zonei de gătit.

## 9.2 Etichete furnizate împreună cu punga de accesorii

Lipiți etichetele adezive conform indicațiilor de mai jos:



- A. Lipiți pe certificatul de garanție și trimiteți acest exemplar (dacă există).
- B. Lipiți pe certificatul de garanție și păstrați acest exemplar (dacă există).
- C. Lipiți pe manualul de instrucțiuni.

## 10. EFICIENȚĂ ENERGETICĂ

### 10.1 Informații produs\*

Identificarea modelului		EHF3920BOK
Tipul plitei		Plită încorporată
Numărul zonelor de gătire		2
Tehnologie de încălzire		Arzător radiant
Diametrul zonelor de gătire circulare (Ø)	Mijloc față	14,5 cm
	Mijloc spate	18,0 cm
Consumul de energie pe fiecare zonă de gătire (EC electric cooking)	Mijloc față	194,9 Wh / kg
	Mijloc spate	194,9 Wh / kg
Consumul de energie al plitei (EC electric hob)		194,9 Wh / kg

\* Pentru Uniunea Europeană conform cu EU 66/2014. Pentru Belarus conform cu STB 2477-2017, Anexa A. Pentru Ucraina conform cu 742/2019.

EN 60350-2 - Aparate de gătit electrocasnice - Partea 2: Plite - Metode pentru măsurarea performanței




## 10.2 Economisirea energiei


Puteți economisi energia în timpul gătitului zilnic dacă respectați recomandările de mai jos.

- Atunci când încălziți apă, folosiți doar cantitatea necesară.
- Dacă este posibil, puneți întotdeauna capace pe vase.
- Înainte de a activa zona de gătit, puneți un vas pe aceasta.

- Baza vasului trebuie să aibă același diametru cu zona de gătit.
- Puneți vase mici pe zone de gătit mici.
- Puneți vasul direct pe centrul zonei de gătit.
- Pentru a păstra alimentele calde sau a le topi folosiți căldura reziduală.

## 11. INFORMAȚII PRIVIND MEDIUL

Reciclați materialele marcate cu simbolul . Pentru a recicla ambalajele, acestea trebuie puse în containerele corespunzătoare. Ajuțați la protejarea mediului și a sănătății umane și la reciclarea deșeurilor din aparatele electrice și electrocasnice. Nu aruncați aparatele

marcate cu acest simbol  împreună cu deșeurile menajere. Returnați produsul la centrul local de reciclare sau contactați administrația orașului dvs.

## AKLIMIZ SİZDE

Bir Electrolux cihazı satın aldığınız için teşekkür ederiz. Beraberinde onlarca yıllık mesleki deneyim ve yenilik getiren bir ürün seçtiniz. Sizi düşünerek tasarlanan yaratıcı ve şık ürününüz hizmetinizdedir. Bu nedenle, her seferinde çok iyi sonuçlar elde edeceğinizi bilerek onu her kullandığınızda güvende olabilirsiniz.

Electrolux'e hoş geldiniz.

### Aşağıdakiler için web sitemizi ziyaret edin:



Kullanım önerileri, broşürler, sorun giderme bilgileri, servis ve onarım bilgileri:  
[www.electrolux.com/support](http://www.electrolux.com/support)



Daha iyi servis almak için ürününüzün kaydını yapın:  
[www.registerelectrolux.com](http://www.registerelectrolux.com)



Cihazınız için Aksesuarlar, Sarf Malzemeleri ve Orijinal yedek parçalar satın alın:  
[www.electrolux.com/shop](http://www.electrolux.com/shop)

## MÜŞTERİ HİZMETLERİ


Daima orijinal yedek parçalar kullanın.

Yetkili Servis Merkezimizle görüşmeniz sırasında aşağıdaki verileri elinizin altında bulundurun: Model, PNC, Seri Numarası.

Bu bilgiler, bilgi etiketinde bulunabilir.

 Uyarı / Dikkat-Güvenlik bilgileri

 Genel bilgiler ve ipuçları

 Çevre ile ilgili bilgiler

Önceden haber verilmeksizin değişiklik yapma hakkı saklıdır.

## İÇİNDEKİLER

1. GÜVENLİK BİLGİLERİ.....	211
2. GÜVENLİK TALİMATLARI.....	213
3. MONTAJ.....	215
4. ÜRÜN TANIMI.....	217
5. GÜNLÜK KULLANIM.....	217
6. İPUÇLARI VE YARARLI BİLGİLER.....	217
7. BAKIM VE TEMİZLİK.....	218
8. SORUN GİDERME.....	218
9. TEKNİK VERİLER.....	219
10. ENERJİ VERİMLİLİĞİ.....	220
11. TÜKETİCİNİN SEÇİMLİK HAKLARI.....	221
12. ÇEVREYLE İLGİLİ BİLGİLER.....	222

## 1. ⚠ GÜVENLİK BİLGİLERİ

Cihazın montaj ve kullanımından önce, verilen talimatları dikkatlice okuyun. Üretici, yanlış kurulum veya kullanımdan kaynaklanan yaralanma ya da hasarlardan sorumlu değildir. Talimatları, ileride kullanabilmeniz için her zaman güvenli ve kolay ulaşılabilir bir yerde tutun.

### 1.1 Çocukların ve tehlikeye açık kişilerin güvenliği

- Bu cihaz, gözetim altında bulunmaları veya cihazın güvenli şekilde kullanımı ve oluşabilecek tehlikeler hakkında bilgi verilmesi kaydıyla 8 yaş ve üzeri çocuklar ile fiziksel, duyuşsal veya zihinsel kapasitesi düşük ya da bilgi ve deneyimi olmayan kişiler tarafından kullanılabilir. 8 yaşından küçük çocuklar ve ileri düzey zihinsel ile fiziksel engellere sahip kişiler gözetim altında bulunmadıkları müddetçe bu ürünü tek başına kullanmamalıdır.
- Cihazla oynamalarını sağlamak için çocukların gözetim altında bulundurulması gerekmektedir.
- Tüm ambalajları çocuklardan uzak tutun ve uygun şekilde bertaraf edin.
- UYARI: Cihaz çalışırken veya soğumaya alındığında, çocukları ve hayvanları cihazdan uzak tutun. Cihazın erişilebilir kısımları kullanım esnasında sıcak olabilir.
- Ocağın çocuk emniyet sistemi varsa etkinleştirilmelidir.
- Temizlik ve kullanıcı tarafından gerçekleştirilen bakım işlemleri, gözetim altında olmadıkları sürece çocuklar tarafından gerçekleştirilmemelidir.

### 1.2 Genel Güvenlik

- UYARI: Cihaz ve erişilebilir parçaları kullanım sırasında ısınır. Isıtma elemanlarına dokunmaktan kaçınin.
- UYARI: Başında bulunmadığınız durumlarda ocak üzerinde katı veya sıvı yağ kullanarak pişirme yapmanız yangına neden olabilir.

- Yangını ASLA su ile söndürmeye çalışmayın. Cihazın elektrik bağlantısını kesin ve ateşin üstünü bir kapak veya yangın battaniyesi ile kapatın.
- UYARI: Cihaz, zamanlayıcı gibi harici bir bağlantı cihazından güç almamalıdır veya yardımcı bir cihaz tarafından düzenli olarak kapatılıp açılan bir devreye bağlanmamalıdır.
- DİKKAT: Pişirme süreci kontrol edilmelidir. Kısa süreli pişirme süreçleri sürekli olarak kontrol edilmelidir.
- UYARI: Yangın tehlikesi: Pişirme yüzeyleri üzerine eşya koymayın.
- Isınma ihtimali bulunduğundan ocak yüzeyi üzerine bıçak, çatal, kaşık ve tencere kapakları gibi metal nesnelere bırakmayın.
- Cihazı, yerleşik yapıya kurmadan kullanmayın.
- Cihazı temizlemek için buharlı temizleyici kullanmayın.
- Cam seramik yüzeyin / cam yüzeyin çatlak olması halinde, cihazı kapatın ve fişini prizden çekin. Cihazın doğrudan bağlantı kutusu yoluyla elektrik şebekesine bağlanması durumunda, cihazın elektrik bağlantısını kesmek için sigortayı çıkarın. Her iki durumda da Yetkili Servis Merkezi ile iletişim kurun.
- Elektrik kablosunun zarar görmesi durumunda kablo, bir kazanın meydana gelmesine engel olmak için, üretici, yetkili servis veya benzer nitelikteki kalifiye bir kişi tarafından değiştirilmelidir.
- UYARI: Sadece pişirme cihazının üreticisi tarafından tasarlanmış veya cihazın üreticisi tarafından talimatlarda kullanıma uygun gösterilmiş ya da cihazdaki dahili ocak korumalarını kullanın. Uygunsuz korumaları kullanmak kazalara neden olabilir.

## 2. GÜVENLİK TALİMATLARI

### 2.1 Kurulum



#### UYARI!

Cihazın kurulumu yalnızca kalifiye bir kişi tarafından yapılmalıdır.



#### UYARI!

Yaralanma veya cihazın zarar görme riski söz konusudur.

- Tüm ambalajları çıkarın.
- Hasarlı bir cihazı monte etmeyin ya da kullanmayın.
- Cihazla birlikte verilen montaj talimatlarını takip edin.
- Diğer cihazlar ve üniteler arasında olması gereken minimum mesafeyi koruyun.
- Cihazı hareket ettirdiğinizde dikkatli olun, cihaz ağırdır. Her zaman koruyucu eldiven ve koruyuculu ayakkabı kullanın.
- Nemin kabarmaya neden olmasını önlemek için kesik yüzeyleri yalıtkan malzeme ile yalıtın.
- Cihazın altını buhar ve nemden koruyun.
- Cihazı kapının yanına veya pencere altına monte etmeyin. Böylece, kapı ya da pencere açıldığında sıcak pişirme kaplarının cihazın üstünden düşmesini önleyebilirsiniz.
- Cihaz çekmecelerin üzerine takılmış ise, cihaz ile üst çekme arasındaki boşluğun hava dolaşımı için yeterli olduğundan emin olun.
- Cihazın alt kısmı ısınabilir. Zemin ile temasını engellemek için kontrplaktan, mutfak karkas malzemesinden veya diğer yanmaz malzemelerden üretilen ayrı bir paneli, cihazın altına monte ettiğinizden emin olun.
- Ayırma paneli ocak altındaki alanı tamamen kaplamalıdır.

### 2.2 Elektrik Bağlantısı



#### UYARI!

Yangın ve elektrik çarpması riski.

- Tüm elektrik bağlantıları kalifiye bir elektrik teknisyeni tarafından yapılmalıdır.

- Cihaz topraklanmalıdır.
- Cihaz üzerinde herhangi bir müdahale yapmadan önce elektrik bağlantısının kesildiğinden emin olun.
- Anma değeri plakasındaki parametrelerinin ana güç kaynağının elektrik gücüne uygun olduğundan emin olun.
- Cihazın montajının doğru yapıldığından emin olun. Gevşek ve uygun olmayan fiş ve priz bağlantıları (varsa) terminalin çok fazla ısınmasına neden olabilir.
- Kriterlere uygun elektrik kablosu kullanın.
- Elektrik bağlantılarının dolanmasını önleyin.
- Elektrik çarpmasına karşı bir koruma olduğundan emin olun.
- Kablo üzerinde gerilim azaltıcı kelepçe kullanın.
- Cihazı yakındaki prizlere taktığınızda, elektrik bağlantılarının veya priz (varsa) cihaza ya da sıcak pişirme kaplarına temas etmesini önleyin.
- Priz çoğaltıcılarını ve uzatma kablolarını kullanmayın.
- Elektrik fişine (varsa) veya kablosuna zarar vermeye özen gösterin. Hasarlı bir kabloyu değiştirmek için Yetkili Servisimize ya da bir elektrikçiye başvurun.
- Akım taşıyan ve izole edilmiş parçaların darbe koruması araç kullanılmaksızın çıkarılamayacak şekilde takılmalıdır.
- Fişi prize sadece montaj tamamlandıktan sonra takın. Kurulumdan sonra elektrik fişine erişilebildiğinden emin olun.
- Priz gevşemişse fişi takmayın.
- Cihazın fişini prizden çıkarmak için elektrik kablosunu çekmeyin. Her zaman fişten tutarak çekin.
- Sadece doğru yalıtım malzemelerini kullanın: Hat koruyucu devre kesiciler, sigortalar (yuvasından çıkarılan vida tipi sigortalar), toprak kaçağı kesicileri ve kontaktörler.
- Elektrik tesisatı, cihazın ana şebeke bağlantısını tüm kutulardan kesebilenize olanak sağlayan bir yalıtım malzemesine sahip olmalıdır. Yalıtım

malzemesinin kontak açıklığının genişliği en az 3 mm olmalıdır.

## 2.3 Kullanım



### UYARI!

Yaralanma, yanma ya da elektrik çarpması riski vardır.

- İlk kullanımdan önce tüm ambalajı, etiketleri ve koruyucu filmleri (varsa) çıkarın.
- Bu cihaz, yalnızca evde kullanıma (iç mekanda) yöneliktir.
- Cihazın teknik özelliklerini kesinlikle değiştirmeyin.
- Havalandırma deliklerinin kapalı olmadığından emin olun.
- Çalıřır durumdayken cihazı denetimsiz bırakmayın.
- Her kullanımdan sonra piřirme bölgelerini "kapalı" konumuna ayarlayın.
- Piřirme bölgelerinin üzerine çatal-bıçak veya tencere kapađı koymayın. Isınabilirler.
- Cihazı ıslak ellerle veya cihaz suyla temas ettiđinde çalıřtırmayın.
- Cihazınızı bir çalıřma yüzeyi veya saklama yüzeyi olarak kullanmayın.
- Eđer cihazın yüzeyinde çatlak oluřursa hemen cihazın güç kaynađı ile bađlantısını kesin. Bunu elektrik çarpmasını önlemek için yapmalısınız.
- Kızgın yađa yiyecek koyarken yađ sıçrayabilir.



### UYARI!

Yangın ve yanma riski

- Katı ve sıvı yağlar ısıtıldıđında yanıcı buhar salabilir. Yađla piřirirken alevleri veya ısıtılmıř nesnelere yađdan uzak tutun.
- Çok sıcak yađdan çıkan buhar, kendiliđinden yanmaya neden olabilir.
- Gıda kalıntıları içerebilen kullanılmıř yađ, ilk kez kullanılan yađdan daha düşük bir sıcaklıkta yangına neden olabilir.
- Yanıcı veya yanıcı ürünlerle ıslanan nesnelere cihazın içine, yanına veya üstüne koymayın.



### UYARI!

Cihazın zarar görme riski vardır.

- Kontrol paneli üzerine sıcak piřirme kapları koymayın.
- Sıcak tencere kapađını ocađın cam yüzeyinin üzerine koymayın.
- Piřirme kaplarını kuruyana dek kaynatmayın.
- Nesnelere ya da piřirme kaplarının üzerine düşmesine izin vermeyin. Yüzey zarar görebilir.
- Piřirme bölgelerini, üzerindeki piřirme kapları boşken veya üzerinde piřirme kabı yokken kullanmayın.
- Cihazın üzerine alüminyum folyo koymayın.
- Dökme demir, alüminyum ya da alt kısımları hasarlı piřirme kapları, cam / cam seramiđin çizilmesine yol açabilir. Ocak bölmesindeki nesnelere yerini deđiřtirirken bu nesnelere daima kaldırın.
- Bu cihaz sadece piřirme amaçlıdır. Oda ısıtma gibi başka amaçlarla kullanılmamalıdır.

## 2.4 Bakım ve temizlik



### UYARI!

Düğme, tuř ya da contaları kontrol panelinden çıkarmayın. Su cihaz içine girerek hasara neden olabilir.

- Yüzey malzemesinin bozulmasını önlemek için cihazı düzenli olarak temizleyin.
- Temizlemeden önce cihazı kapatın ve sođumasını bekleyin.
- Cihazı temizlemek için su spreyi veya buhar kullanmayın.
- Cihazı yumuřak nemli bir bezle temizleyin. Sadece nötr deterjanlar kullanın. Ařındırıcı ürünler, ařındırıcı ovma bezleri, çözücüler veya metal cisimler kullanmayın.

## 2.5 Servis

- Cihazı onarmak için yetkili bir Servis Merkezine bařvurun. Yalnızca orijinal yedek parçaları kullanın.
- Bu ürünün içindeki lamba(lar) ve ayrı satılan yedek parça lambalar ile ilgili olarak: Bu lambaların sıcaklık, titreřim, nem gibi ev aletlerindeki ařırı fiziksel kořullara dayanması ya da cihazın

çalışma durumu hakkında bilgi vermesi amaçlanmıştır. Diğer uygulamalarda kullanılmak üzere tasarlanmamışlardır ve ev odası aydınlatması için uygun değildir.

## 2.6 Elden Çıkarma



### UYARI!

Yaralanma ya da boğulma riski.

- Cihazın nasıl elden çıkarılacağı hakkında bilgi almak için yerel kurumlarla iletişime geçin.
- Cihazın fişini prizden çekin.
- Cihazı yakın ana elektrik kablosunun bağlantısını kesin ve atın.

## 3. MONTAJ



### UYARI!

Güvenlik bölümlerine bakın.

### 3.1 Montaj öncesi

Ocağı kurmadan önce, aşağıdaki bilgileri bilgi etiketinden yazın. Bilgi etiketi ocağın altındadır.

Model .....  
PNC .....  
Seri numarası .....

### 3.2 Ankastr ocaklar

Ankastr ocakları sadece standartlara uygun ankastr bölmelere ve tezgah altlarına yerleştirildikten sonra kullanın.

### 3.3 Bağlantı kablosu

- Ocakla birlikte bir bağlantı kablosu.
- Hasar gören ana kabloları değiştirmek için, şu kablo türünü kullanın: 90 °C veya üzeri sıcaklıklara dayanıklı H05V2V2-F. Yetkili Servis Merkezini arayın. Bağlantı kablosu yalnızca kalifiye bir elektrikçi tarafından değiştirilebilir.

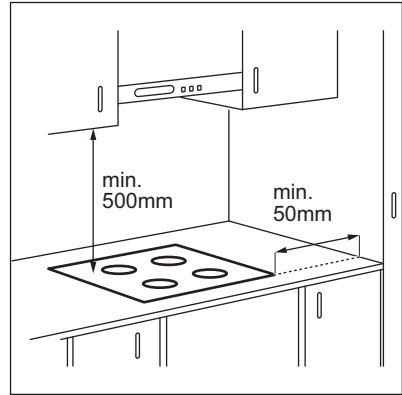
### 3.4 Bandın takılması - Üstten monteli

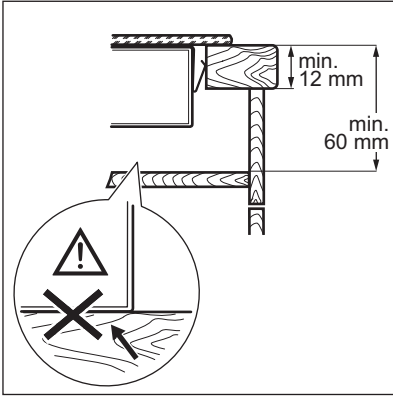
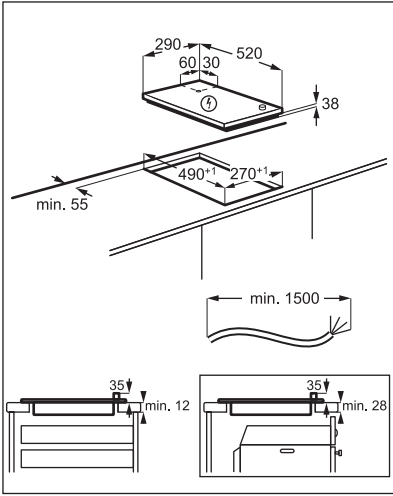
1. Kesme alanı etrafındaki tezgahı temizleyin.
2. 2X6mm yalıtım bandını ocağın alt kenarı etrafına, cam seramiğin dış kenarı boyunca yerleştirin. Bantı germeyin. Yalıtım bandı uçlarının ocağın bir kenarının ortasına yerleştirildiğinden emin olun.

3. Yalıtım bandını keserken uzunluğa birkaç milimetre ekleyin.
4. Yalıtım bandının iki ucunu bir araya getirin.

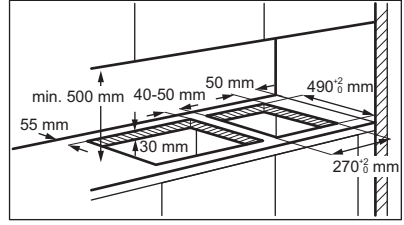
### 3.5 Montaj

Ocağı bir davlumbazın altına kuracaksanız, lütfen davlumbaz kılavuzundan cihazlar arasındaki minimum mesafeye bakın.





### 3.6 Birden fazla ocağın montajı



[www.youtube.com/electrolux](http://www.youtube.com/electrolux)  
[www.youtube.com/aeg](http://www.youtube.com/aeg)

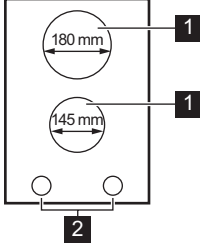
How to install your Electrolux  
 Domino Hob - Worktop installation





## 4. ÜRÜN TANIMI

### 4.1 Pişirme yüzeyi düzeni



- 1 Pişirme bölgesi
- 2 Kontrol düğmeleri

### 4.2 Kontrol düğmesi

Sembol	Fonksiyon
0	Kapalı konum
1 - 6	Isı ayarları

### 4.3 Atıl ısı



#### UYARI!

Atıl ısı yanma riski oluşturabilir.

## 5. GÜNLÜK KULLANIM



#### UYARI!

Güvenlik bölümlerine bakın.

### 5.1 Isı ayarı

Isı ayarını yapmak ya da değiştirmek için, düğmeyi doğru ısı ayarına çevirin. Devre dışı bırakmak için düğmeyi kapalı konuma getirin.

## 6. İPUÇLARI VE YARARLI BİLGİLER



#### UYARI!

Güvenlik bölümlerine bakın.

### 6.1 Pişirme Kapları

- Pişirme kaplarının tabanı mümkün olduğunca kalın ve düz olmalıdır.

- Ocak yüzeyine yerleştirdiğiniz kapların tabanları temiz ve kuru olmalıdır.
- Çizilmeleri önlemek için, tencereyi seramik camın üzerinde kaydırmayın veya sürtmeyin.



Emaye çelikten yapıma veya tabanlı alüminyum ya da bakır olan pişirme kapları, cam seramik yüzey üzerinde renk deęişimine neden olabilir.

## 6.2 pişirme uygulamalarına örnekler

**Isı aya- rı:** **Kullanıldığı işlemler:**

1 Sıcak tutma

**Isı aya- rı:** **Kullanıldığı işlemler:**

2 Hafif ısıtma

3 Isıtma

4 Kızartma / kavurma

5 Kaynama derecesine getirme

6 Kaynama derecesine getirme / hafif kızartma / kızgın yağda kızartma

## 7. BAKIM VE TEMİZLİK



### UYARI!

Güvenlik bölümlerine bakın.

### 7.1 Genel bilgiler

- Her kullanımdan sonra ocağı temizleyin.
- Daima temiz tabanlı pişirme kapları kullanın.
- Yüzey üzerinde bulunan çizikler ve koyu lekeler, ocağın çalışmasını etkilemez.
- Ocak yüzeyi için uygun bir temizleyici kullanın.
- Cam için uygun özel bir kazıyıcı kullanın.



Düğmelerin çıkarılması tavsiye edilmez.

### 7.2 Ocağın temizlenmesi

- **Şunları bekletmeden temizleyin:** erimiş plastik, plastik folyo, şeker ve şekerli

yiyecekler, aksi halde kir ocaklara zarar verebilir. Yanmamak için dikkatli olun. Özel raspayı camın üzerine dar bir açıyla koyup, bıçağını yüzeyin üzerinde kaydırın.

- **Ocak yeterince soğuduktan sonra şunları çıkarın:** kireç lekeleri, su lekeleri, yağ lekeleri, parlak metalik renk atmaları. Ocağı nemli bir bezle ve aşındırıcı olmayan deterjanla temizleyin. Temizlik sonrasında, ocağı yumuşak bir bezle kurulayın.
- **Parlak metalik renk deęişiminden kurtulun:** sirke suyu kullanın ve cam yüzeyi nemli bir bezle temizleyin.

## 8. SORUN GIDERME



### UYARI!

Güvenlik bölümlerine bakın.

## 8.1 Bu durumlarda ne yapmalı...

Sorun	Olası sebep	Çözüm
Ocağı açamadınız veya çalıştıramadınız.	Ocak, elektrik beslemesine bağlanmamıştır ya da elektrik bağlantısı doğru şekilde yapılmamıştır.	Ocağın elektrik beslemesine doğru bir şekilde bağlı olup olmadığını kontrol edin.
	Sigorta atmıştır.	Arızaya sigortanın neden olduğundan emin olun. Sigortanın tekrar tekrar atması halinde, kalifiye bir elektrikçiye danışın.

## 8.2 Eğer bir çözüm bulamadıysanız...

Soruna kendiniz bir çözüm bulamadığınız takdirde, satıcınıza veya bir Yetkili Servis Merkezine başvurun. Bilgi etiketindeki verileri verin. Cam seramiğin üç haneli harf kodunu (cam yüzeyin köşesindeki) verin. Ocağı

doğru çalıştırdığınızdan emin olun. Doğru çalıştırmadığınız takdirde servis teknisyeni veya satıcı tarafından yapılacak servis işlemi, garanti süresi içinde dahi olsa ücretlendirilecektir. Garanti süresi ve Yetkili Servis Merkezleri ile ilgili bilgiler garanti kitapçığındadır.

## 9. TEKNİK VERİLER

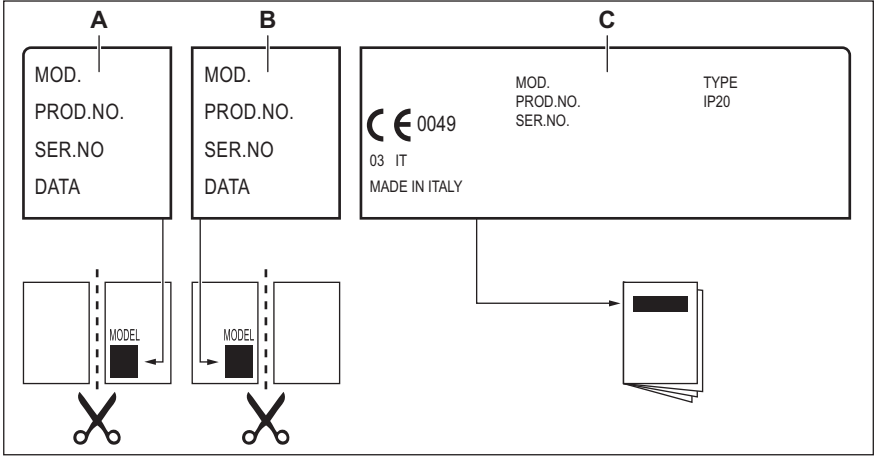
### 9.1 Pişirme bölgelerinin özellikleri

Pişirme bölgesi	Nominal Güç (Maks. ısı ayarı) [W]	Pişirme bölgesinin çapı [mm]
Orta ön	1200	145
Orta arka	1700	180

Mümkün olan en iyi pişirme sonuçlarını elde etmek için pişirme bölgesinin çapından daha büyük olmayan pişirme kapları kullanın.

## 9.2 Aksesuar çantasıyla birlikte verilen etiketler

Yapışkan etiketleri aşağıda gösterildiği gibi yapıştırın:



- A. Garanti Kartına yapıştırın ve bu kısmı gönderin (varsa).  
B. Garanti Kartına yapıştırın ve bu kısmı saklayın (varsa).

- C. Kullanma kılavuzuna yapıştırın.

## 10. ENERJİ VERİMLİLİĞİ

### 10.1 Ürün bilgileri\*

Model tanımlaması	EHF3920BOK	
Ocak türü	Ankastre Ocak	
Pişirme bölgelerinin sayısı	2	
Isıtma teknolojisi	Radyan Isıtıcı	
Dairesel pişirme bölgelerinin çapı (Ø)	Orta ön	14,5 cm
	Orta arka	18,0 cm
Pişirme bölgesi başına enerji tüketimi (EC electric cooking)	Orta ön	194,9 Wh / kg
	Orta arka	194,9 Wh / kg
Ocağın enerji tüketimi (EC electric hob)	194,9 Wh / kg	

\* Avrupa Birliği için EU 66/2014'e göre. Belarus için STB 2477-2017, Ek A'ya göre. Ukrayna için 742/2019'a göre.

EN 60350-2 - Ev tipi elektrikli pişirme cihazları - Bölüm 2: Ocaklar - Performans ölçüm yöntemleri

## 10.2 Enerji tasarrufu

Aşağıdaki tavsiyelere uyararak yemek pişirme sırasında enerji tasarrufu yapabilirsiniz.

- Su ısıttığınızda yalnızca ihtiyacınız olan kadarını kullanın.
- Mümkünse, kapakları her zaman pişirme kaplarının üzerine koyun.
- Pişirme bölgesini çalıştırmadan önce pişirme kabını üzerine koyun.

- Pişirme kabının tabanı pişirme bölgesi ile aynı çapta olmalıdır.
- Daha küçük olan pişirme kaplarını daha küçük pişirme bölgelerine koyun.
- Pişirme kaplarını doğrudan pişirme bölgesinin merkezine koyun.
- Yiyeceği sıcak tutmak veya eritmek için kalan sıcaklığı kullanın.

## 11. TÜKETİCİNİN SEÇİMLİK HAKLARI

1. Malın ayıplı olduğunun anlaşılması durumunda tüketici;
  - a. Satılanı geri vermeye hazır olduğunu bildiren sözleşmeden dönme,
  - b. Satılanı alıyoyup ayıp oranında satış bedelinden indirim isteme,
  - c. Aşırı bir masraf gerektirmediği takdirde, bütün masrafları satıcıya ait olmak üzere satılanın ücretsiz onarılmasını isteme,
  - d. İmkân varsa, satılanın ayıpsız bir misli ile değiştirilmesini isteme, seçimlik haklarından birini kullanabilir. Satıcı, tüketicinin tercih ettiği bu talebi yerine getirmekle yükümlüdür.
2. Ücretsiz onarım veya malın ayıpsız misli ile değiştirilmesi hakları üretici veya ithalatçıya karşı da kullanılabilir. Bu fıkradaki hakların yerine getirilmesi konusunda satıcı, üretici ve ithalatçı müteselsilen sorumludur. Üretici veya ithalatçı, malın kendisi tarafından piyasaya sürülmesinden sonra ayıbın doğduğunu ispat ettiği takdirde sorumlu tutulmaz.
3. Ücretsiz onarım veya malın ayıpsız misli ile değiştirilmesinin satıcı için orantısız güçlükleri beraberinde getirecek olması hâlinde tüketici, sözleşmeden dönme veya ayıp oranında bedelden indirim haklarından birini kullanabilir. Orantısızlığın tayininde malın ayıpsız değeri, ayıbın önemi ve diğer seçimlik haklara başvurmanın tüketici açısından sorun teşkil edip etmeyeceği gibi hususlar dikkate alınır.
4. Ücretsiz onarım veya malın ayıpsız misli ile değiştirilmesi haklarından birinin

seçilmesi durumunda bu talebin satıcıya, üreticiye veya ithalatçıya yöneltmesinden itibaren azami otuz iş günü, konut ve tatil amaçlı taşınmazlarda ise altmış iş günü içinde yerine getirilmesi zorunludur. Ancak, bu Kanunun 58 inci maddesi uyarınca çıkarılan yönetmelik eki listede yer alan mallara ilişkin, tüketicinin ücretsiz onarım talebi, yönetmelikte belirlenen azami tamir süresi içinde yerine getirilir. Aksi hâlde tüketici diğer seçimlik haklarını kullanmakta serbesttir.

5. Tüketicinin sözleşmeden dönme veya ayıp oranında bedelden indirim hakkını seçtiği durumlarda, ödemiş olduğu bedelin tümü veya bedelden yapılan indirim tutarı derhâl tüketiciye iade edilir.
6. Seçimlik hakların kullanılması nedeniyle ortaya çıkan tüm masraflar, tüketicinin seçtiği hakkı yerine getiren tarafça karşılanır. Tüketici bu seçimlik haklarından biri ile birlikte 11/1/2011 tarihli ve 6098 sayılı Türk Borçlar Kanunu hükümleri uyarınca tazminat da talep edebilir.

**Tüketici, garantiden doğan haklarının kullanılması ile ilgili olarak çıkabilecek uyuşmazlıklarda yerleşim yerinin bulunduğu veya tüketici işleminin yapıldığı yerdeki Tüketici Hakem Heyetine veya Tüketici Mahkemesine başvurabilir.**

**Üretici / İhracatçı :**

ELECTROLUX APPLIANCES AB  
BUSINESS SECTOR EMA-EMEA (SEE)  
ST GÖRANSGATAN 143  
SE-105 45 STOCKHOLM

SWEDEN

TEL: +46 (8) 738 60 00

FAX: +46 (8) 738 63 35

www.electrolux.com

**İthalatçı:** Electrolux Dayanıklı Tüketim Mamulleri San. ve Tic. AŞ.

TR-34435 Taksim-Beyoğlu-İstanbul

Müşteri Hizmetleri: 0 850 250 35 89

musteri\_hizmetleri@electrolux.com


WEB: www.electrolux.com.tr


### **Kullanım Ömrü Bilgisi :**

Kullanım ömrü küçük ev aletlerinde 7 yıl, diğer beyaz eşya ürünlerinde ise 10 yıldır. Kullanım ömrü, üretici ve/veya ithalatçı firmanın cihazınızla ilgili yedek parça temini ve bakım süresini ifade eder.

**AEEE Yönetmeliğine Uygundur.**

## **12. ÇEVREYLE İLGİLİ BİLGİLER**

Şu sembole sahip malzemeler geri dönüştürülebilir . Ambalajı geri dönüşüm için uygun konteynerlere koyun. Elektrikli ve elektronik cihaz atıklarının geri dönüşümüne ve çevre ve insan sağlığının korunmasına

yardımcı olun. Ev atığı sembolü  bulunan cihazları atmayın. Ürünü yerel geri dönüşüm tesislerinize gönderin ya da belediye ile irtibata geçin.



CE

867366882-A-232021



## Free Manuals Download Website

<http://myh66.com>

<http://usermanuals.us>

<http://www.somanuals.com>

<http://www.4manuals.cc>

<http://www.manual-lib.com>

<http://www.404manual.com>

<http://www.luxmanual.com>

<http://aubethermostatmanual.com>

Golf course search by state

<http://golfingnear.com>

Email search by domain

<http://emailbydomain.com>

Auto manuals search

<http://auto.somanuals.com>

TV manuals search

<http://tv.somanuals.com>