

**User Manual**  
Range Hood

EN 2

**ECVW3062AS**  
**ECVW3662AS**



**Electrolux**



[electrolux.com/register](http://electrolux.com/register)

# Welcome to Electrolux! Thank you for choosing our appliance.



For Customer Care support and webshop visit:  
[www.electrolux.com/support/](http://www.electrolux.com/support/)



For extended version of User Manual visit:  
[www.electrolux.com/manuals/](http://www.electrolux.com/manuals/)

Subject to change without notice.

## CONTENTS

1. SAFETY INSTRUCTIONS	2
2. ELECTRICAL REQUIREMENTS	5
3. PARTS SUPPLIED	6
4. OPTIONAL ACCESSORIES	6
5. INSTALLING THE HOOD	7
6. OPERATION	12
7. SPECIAL FUNCTION	12
8. CLEANING AND MAINTENANCE	13
9. TECHNICAL DATA	14
10. TROUBLE SHOOTING	14
11. ENVIRONMENTAL PROTECTION	14
12. WARRANTY INFORMATION	15

## SAFETY INSTRUCTIONS

Do not attempt to install or operate this appliance until you have read the safety instructions in this manual. Safety items throughout this manual are labelled with a Danger, Warning, or Caution based on the risk type.

### DEFINITIONS

This is the safety alert symbol. It is used to alert you to potential personal injury hazards. Obey all safety messages that follow this symbol to avoid possible injury or death.

### DANGER:

DANGER indicates an imminently hazardous situation which, if not avoided, will result in death or serious injury.

### WARNING:

DANGER indicates an imminently hazardous situation which, if not avoided, will result in death or serious injury.

## **CAUTION :**

CAUTION indicates a potentially hazardous situation which, if not avoided, could result in minor or moderate injury.

## **CHILD SAFETY**

Packing materials:

- Packing cartons covered with rugs, bedspreads, plastic sheets, or stretch wrap may become airtight chambers and can quickly cause suffocation.
- Remove the protective film covering the appliance before putting it into operation.
- Destroy or recycle the appliance's carton, plastic bags, and any other exterior wrapping material immediately after the product is unpacked. Children should never play with these items. Danger of suffocation!

## **IMPORTANT**

CAREFULLY BEFORE INSTALLATION AND USE.

INSTALLATION MUST COMPLY WITH ALL LOCAL CODES.

**IMPORTANT:** Save these instructions for the Local Electrical Inspector's use.

**INSTALLER:** Please leave these instructions with this appliance for the owner.

**OWNER:** Please retain these instructions for future reference.

## **DANGER:**

Always switch off the electricity supply at the mains during installation and maintenance.

## **WARNING:**

To reduce the risk of fire, electric shock, or injury to persons, observe the following:

- **FOR RESIDENTIAL USE ONLY**
- Use this appliance only in the manner intended by the manufacturer. If you have questions, contact the manufacturer.  
Installation work and electrical wiring must be done by qualified person(s) in accordance with all applicable codes & standards, including fire-rated construction.
- Sufficient air is needed for proper combustion and exhausting of gases through the flue (chimney) of fuel burning equipment to prevent back-drafting. Follow the heating equipment manufacturer's guideline and safety standards such as those published by the National Fire Protection Association (NFPA), the American Society for Heating, Refrigeration and Air Conditioning Engineers (ASHRAE), and the local code authorities.
- When cutting or drilling into wall or ceiling, do not damage electrical wiring and other hidden utilities (e.g. gas pipes). Ducted systems must always be vented to the outdoors. always be vented to the outdoors.

**⚠ WARNING:**

Before servicing or cleaning the unit, switch power off at service panel and lock service panel disconnecting means to prevent power from being switched on accidentally. When the service disconnecting means cannot be locked, securely fasten a prominent warning device, such as a tag, to the service panel.

**⚠ CAUTION:**

For general ventilating use only. DO NOT use to exhaust hazardous or explosive materials or vapors.

**⚠ CAUTION:**

To reduce risk of fire and to properly exhaust air, be sure to duct air outside - do not vent exhaust air into spaces within walls, ceilings, attics, crawl spaces, or garages.

**⚠ WARNING:**

To reduce the risk of fire, use only metal duct work. Install this hood in accordance with all requirements specified.

**⚠ WARNING:**

To reduce the risk of fire or electric shock, do not use this hood with any external solid state speed control device.

**⚠ WARNING:**

To reduce the risk of a cooker top grease fire:

- Never leave surface units unattended at high settings. Boilovers cause smoking and greasy spillovers that may ignite. Heat oils slowly on low or medium settings.
- Always turn hood on when cooking over high heat .

**⚠ WARNING:**

- Do not use the range hood without the grease filters, or if the filters are excessively greasy.
- Use proper pan size. Always use cookware appropriate for the size of the surface element.

## **WARNING:**

To reduce the risk of injury to persons, in the event of a cooker top grease fire, observe the following:

- Smother flames with a close-fitting lid, cookie sheet, or other metal tray, then turn off the gas burner or the electric element. Be careful to prevent burns. If the flames do not go out immediately, evacuate and call the fire department.
- Do not use water, including wet dishcloths or towels - a violent steam explosion will result.
- Use an extinguisher only if:
  - You know you have a class ABC extinguisher, and you already know how to operate it.
  - The fire is small and contained in the area where it started.
  - The fire department is being called.
  - You can fight the fire with your back to an exit.

## **CAUTION:**

Always leave safety grills and filters in place.

## ELECTRICAL REQUIREMENTS

### **IMPORTANT**

Observe all governing codes and ordinances.

### **CAUTION:**

To Reduce The Risk Of Fire And Electric Shock, Install This Rangehood Only With Integral Blowers Manufactured by Chinabest Home Appliance Co., Ltd, Model CTH03-128D.

It is the customer's responsibility:

- to contact a qualified electrical installer.
  - to assure that the electrical installation is adequate and in conformance with National Electrical Code, ANSI/NFPA 70 - latest edition\*, or CSA Standards C22.1-94, Canadian Electrical Code, Part 1 and C22.2 No.0-M91-latest edition\*\* and all local codes and ordinances.
- If codes permit and a separate ground wire is
- used, it is recommended that a qualified electrician determines that the ground path is adequate.
  - Do not ground to a gas pipe.
  - Check with a qualified electrician if you are not sure range hood is properly grounded.
  - Do not have a fuse in the neutral or ground circuit.

### **IMPORTANT**

Save installation instructions for electrical inspector's use.

The range hood must be connected with copper wire only.

The range hood should be connected directly to the fused disconnect (or circuit breaker) box through metal electrical conduit.

Wire sizes must conform to the requirements of the National Electrical Code ANSI/NFPA 70 - latest edition", or CSA Standards C22.1-94, Canadian Electrical Code Part 1 and C22.2 No.0-M91 - latest edition\*\* and all local codes and ordinances.

A U.L.- or C.S.A.-listed conduit connector must be provided at each end of the power supply conduit (at the range hood and at the junction box).

Copies of the standards listed may be obtained from:

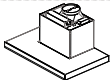

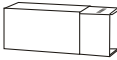
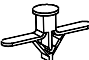
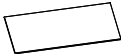










\* National Fire Protection Association Battery  
march Park Quincy, Massachusetts 02269

\*\* CSA International 8501 East Pleasant Valley  
Road Cleveland, Ohio 44131-5575

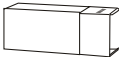

Power requirement:

120V-, 60Hz, 15 or 20A branch circuit.

## PARTS SUPPLIED

No.	Part	Qty.	No.	Part	Qty.
1.		Range hood 1	9.		Anti-Vibration Pad 2
2.		Upper chimney + Lower chimney 2.1 + 2.2	10.		Wall Anchor 9
3.		Aspiration plate 1	11.		Long screw ST3.5x50 9
4.		Upper bracket 1	12.		Short screw M4 x 8 2
5.		Lower bracket 1	13.		Wire Nut 3
6.		Mounting bracket 1	14.		Cross socket Head Screw M4 x 14 2
7.		Side Sponge strip 2	15.		Mounting Template 1
8.		Front Sponge strip 1			

## OPTIONAL ACCESSORIES

1.		8' extension chimney Elux PN: EHW08X62AS 12' extension chimney Elux PN: EHW12X62AS 14' extension chimney Elux PN: EHW14X62AS	1
2.		Recirculation Kit with screws Elux PN: EHW62RKT	1

# INSTALLING THE HOOD



## IMPORTANT

We recommend that two people carry out the installation.



## WARNING:

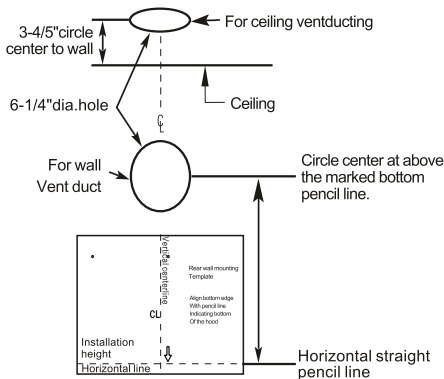
Turn off electrical power at service entrance before wiring.

## Preparation

- Determine the exact location of the range hood.
- Plan the route for venting exhaust to the outdoors (fig. ③)
- Plan the power connection prior to installation so that electrical wiring will not be visible afterwards.
- House wiring location: The junction box is located on the top right side of the hood.
- Wiring should enter the back wall at least 20" above the bottom of the hood at height install and be contained within the flue covers.

It is best if the wiring is located offset to the right of center to avoid interference with ducting (Fig. ① ②).

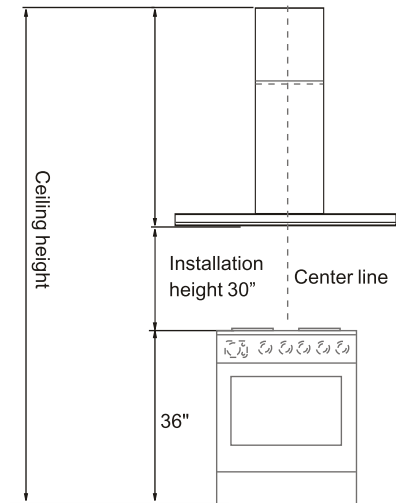
Fig. ①



- Use the shortest and straightest duct route possible.

- Any wall modifications needed (i.e. support structure, wiring, ducting) must be completed prior to installation of the range hood.
- Tools Required (not included):
  - Exhaust duct
  - Power drill
  - Screwdriver
  - Level
  - Cable detector
  - Measuring tape
  - Foil backed tape

Fig. ②

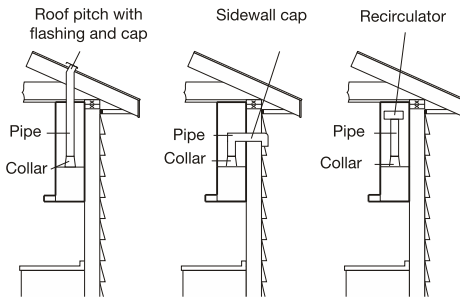


## Ducting installation guidelines

- For safety reasons when ducting outdoors(not using a recirculation kit), Ducting must vent directly outdoors(not into an attic,undemeath the house, into the garage or into any enclosed space).
- Keep duct runs as short and straight as possible.
- Duct fittings (elbows and transitions) reduce air flow efficiency.
- Back to back elbow and "S" turns give very poor delivery and are not recommended.
- Use a suitable 6" round duct.
- Flex metal ducts are not recommended. Limit use to short lengths and do not crush when making corners.

## Examples of possible ducting or air fig. recirculation

Fig. ③



## IMPORTANT

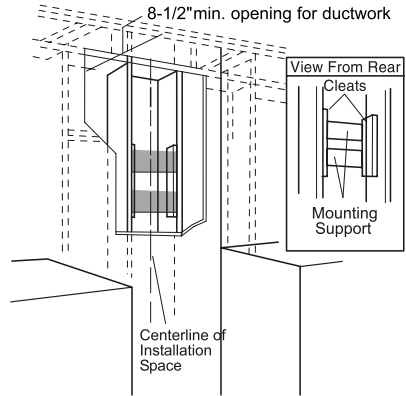
- This range hood is very heavy. Adequate structure and support must be provided in all types of installations. Adding additional bracing is recommended and maybe required.

## Installing range hood to the wall (Exhaust operation)

## Install framing for hood support

- Using the dimensions or the template, mark the locations needed for support.
- Cut away enough drywall to expose 2 vertical studs at the holes location indicated by the template. Install horizontal supports between the wall studs at all mounting locations (fig. ④).

Fig. ④



## IMPORTANT

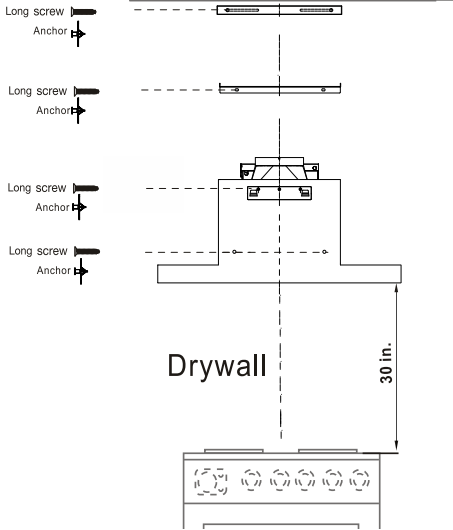
Framing must be capable of supporting 100 lbs

### Step 1:

- Make sure that no cables or pipes will become damaged (e.g. electric, gas, water; test the areas in question with a cable detector).
- Before placing the supplied template, please mark the center line of the cooktop. And measure up 30" from the cooktop.
- Using supplied mounting template (Item 15) mark and drill 9 holes in the wall. Drill the holes according to the measured distances from the diagram (fig. ⑤)
- Upper/Lower/Mounting bracket (4,5,6)/Anti-tilt fixing point: Insert 9 anchors into the 9 drilled holes.



Fig. ⑤

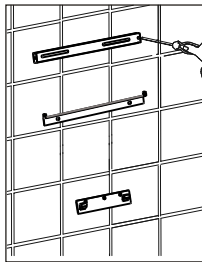


Refer to Mounting Template(Item 15)

**Step 2:**

- Mount upper, lower and mounting brackets (4,5,6) on the wall. Secure with 7 sets of long screws(fig. ⑥ ).

Fig. ⑥



**IMPORTANT**

Lower bracket is not required for 8 feet ceiling's installation.

**Step 3:**

**⚠ WARNING:**

This range hood is very heavy. Two persons are needed to lift the hood onto the mounting bracket.

**IMPORTANT**

Before hooking the hood onto the wall please make sure the aspiration plate has been removed from the body to avoid it fall and injury to installer.

1. Install the Anti-Vibration Pad (Item 9) to the rear of the hood body (fig ⑦). Peel off the backing and stick the sponge strips (Item 7,8) to the front and sides of the upper fan housing as shown in (fig ⑧).
2. Carefully install the hood on the mounting bracket until it rests on the wall. Make sure to check that the hood is centered over the cook-top and between cabinets if applicable before moving to next step.
3. Install mounting screws as shown in (fig ⑨) to prevent tilting and vibrations.

Fig. ⑦

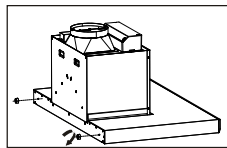


Fig. ⑧

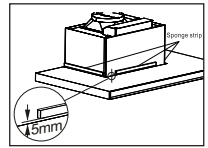


Fig. ⑨

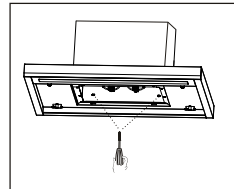
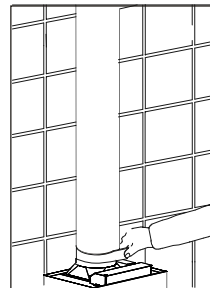


Fig. ⑩



- Install and secure the duct as shown in (fig ⑩). Assure that connections are airtight, observe all best practices, local codes, and regulations for hood exhaust venting.

## Electrical connections

### **⚠ DANGER**

Danger of electric shock! All connections should be made by a qualified electrician in accordance with all applicable codes and regulations.

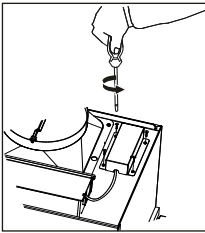
### **➡ IMPORTANT**

Always switch off the electricity supply at the mains during installation, cleaning and maintenance.

#### Step 4:

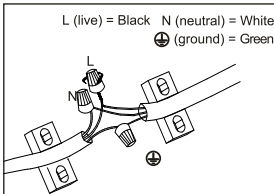
- Loosen the 4 short screws from the junction box(fig.11).

Fig.11



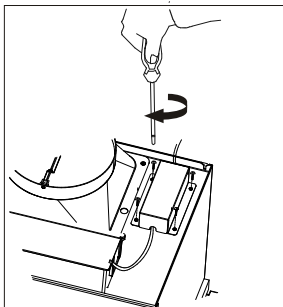
- Connect the incoming positive, neutral and ground cables to the respective terminals.(fig.12).

Fig.12



- Mount the junction box onto the range hood using 4 short screws(fig.13).

Fig.13



#### Step 5:

- Insert the upper chimney (Item 2.1) into the lower chimney (Item 2.2) from top to bottom (fig.14).
- Mount lower chimney (Item 2.2) on the range hood (Item 1).
- Fit the lower chimney (Item 2.2) to the lower bracket (Item 5) using 2 screws (Item 14) by hand (fig.15) then tighten the screws using screw driver(fig.16).

Fig.14

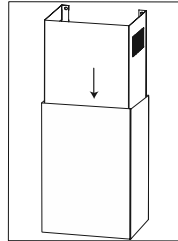


Fig.15

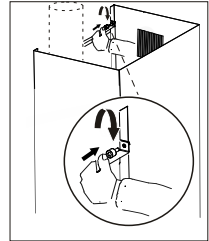
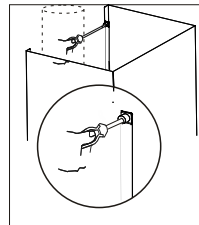
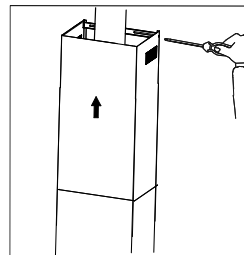


Fig.16



- Pull the upper chimney(2.1) to the upward position to match the screw hole of the upper bracket. Mount to the upper bracket(4) with 2 side screws 12 (fig.17).

Fig.17



### **⚠ CAUTION**

Danger of injury. The chimney skirts may have some sharp edges.

### Step 6:

#### Install the aspiration plate to the hood body.

- Fit the right bracket on the pre-metal plate to the right fixed hinge (fig. 18), then push the left hinge to the end to match the hole of the left bracket on the plate and release the hinge to lock them. (fig. 19).

Fig. 18

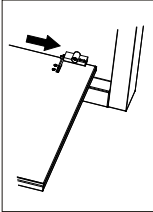
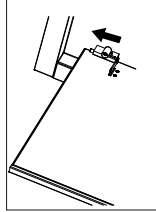


Fig. 19



### Exhaust operation

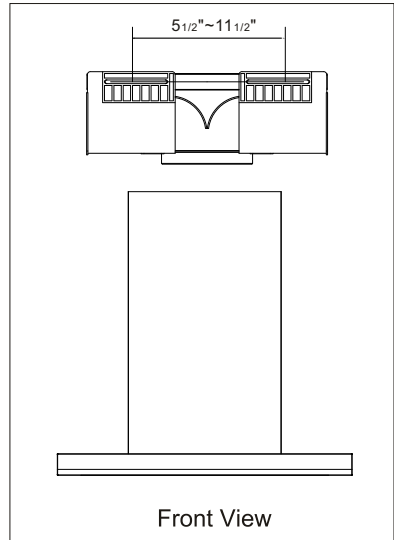
#### Makeup Air

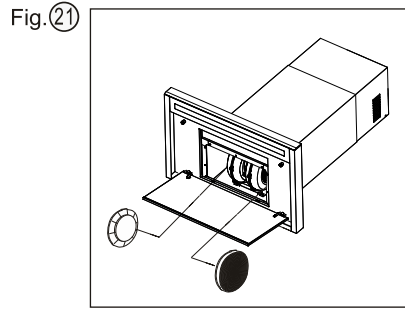
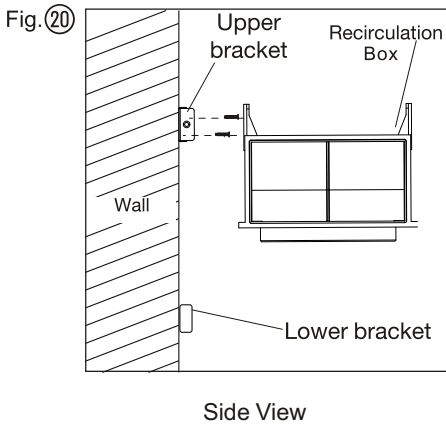
- Local building codes may require the use of makeup air systems when using ventilation systems greater than specified CFM of air movement. The specified CFM varies from locale to locale. Consult your HVAC professional for specific requirements in your area.
- Recirculated air: Kitchen fumes are removed and after purification are fed back into the room through the upper ventilation openings. The purification takes place via metallic anti-grease filter. No wall breakthrough is required for recirculated air operation.

### Installing range hood to the wall in recirculation mode

- For the operation of the range hood with recirculation recirculation kit# EHW62RKT is needed and can be purchased by calling 1-800-944-9044 (USA) or 1-800-265-8352 (Canada)
- Follow steps 1 to 4 from Installing range hood to the wall (Exhaust operation) chapter.
- To install the recirculation box, drill 2 additional holes in the wall.
- Fix the recirculation box to the wall with 2 sets of long screws (Item 11) and wall plugs (Item 10) (fig. 20).
- Attach the exhaust duct on the bottom of the recirculation box.
- Follow step 5 from Installing range hood to the wall (Exhaust operation) sub-chapter.

Fig. 20





Reinstall the grease filter close aspiration plate.(fig. 21).

Install charcoal filter to each side of the blower motor by inserting the filters onto the "T" shaped stud and twisting to lock them into place.

## OPERATION

Press one of the speed  $\text{I}$  /  $\text{II}$  /  $\text{III}$  button to turn the appliance on.

Button	Function
$\text{I}$	Press button $\text{I}$ to switch the appliance off.
$\text{II}$	Press button $\text{II}$ for low speed.
$\text{III}$	Press button $\text{III}$ for medium speed.
$\text{IV}$	Press button $\text{IV}$ for high speed.
$\text{Light}$	Press button $\text{Light}$ to set the light to a low intensity. Press the second time to set the light to a medium intensity. Press the third time to set the light to a high intensity. Press the fourth time or the Power button to turn the light off.

### For best performance

#### NOTE

It is recommended to use the range hood while cooking and for several minutes after cooking to reduce humidity and odors inside your kitchen space.

- Turn on the range hood before starting to cook.
- Clean the filters frequently (refer to Cleaning and maintenance below).
- Use low speed for normal use and higher speed for strong odors or fumes.

## SPECIAL FUNCTION

### Heat sensor

- This product is equipped with a heat sensor that will automatically turn the vent fan ON at medium speed when high temperatures are detected (over 158°F or 70°C).
- If the vent fan is already running at low speed and high temperatures are detected, the vent fan will automatically change to medium speed.
- During this event, the vent fan speed can be changed manually to high speed, but not low speed or off.
- When the heat sensor detects a significant drop in temperature, then the appliance will operate normally.

# CLEANING AND MAINTENANCE

## Cleaning

### DANGER

Always switch off the electricity supply at the breaker box during installation, cleaning, or maintenance.

### NOTE

The efficiency of the range hood depends on the cleanliness of the intake and filters. Grease should not be allowed to accumulate on hood or filter.

- Clean the appliance in the following intervals:

<b>Regularly</b>	Use a soft cloth moistened with hand-warm mildly soapy water or household cleaning detergent. Never use metal pads, chemical, abrasive material or stiff brush to clean the appliance.
<b>Monthly</b>	<p><b>Aluminum filter:</b> The filter collects grease, smoke and dust so the filter is directly affecting the efficiency of the range hood. If not cleaned, the grease residue (potential flammable) will saturate on the filter. Clean it with household cleaning detergent. The filter is dishwasher safe.</p> <p><b>Recirculation box:</b> clean the ventilation openings on the top sides.</p>
<b>Every 4 - 6 months</b>	<p><b>Charcoal filters:</b></p> <ul style="list-style-type: none"> <li>• If the model is not vented to the outside, the air will be recirculated through disposable charcoal filters that help remove smoke and odors.</li> <li>• The charcoal filters cannot be cleaned, they must be replaced regularly (depending on range hood usage).</li> <li>• Note: Do not rinse or put charcoal filters in a dishwasher.</li> <li>• Note: Charcoal filters are not included with the range hood.</li> </ul>

### IMPORTANT

Clean the filter every month to prevent risk of fire.

## Maintenance

- User service-Do not repair or replace any part of the appliance unless specifically recommended in the manual. All other servicing should be referred to a qualified technician.

### IMPORTANT

Parts and accessories not provided with your hood, or for replacement, can be purchased at [www.electrolux.com](http://www.electrolux.com) or by calling 1-800-944-9044 (USA) or 1-800-265-8352 (Canada).

## TECHNICAL DATA

Power supply: 120V-60HZ  
Motor Power: 330W  
Lamp power: 10W for ECVW3062AS  
12W for ECVW3662AS

## TROUBLESHOOTING

Problem	Cause	Solution
Excessive vibration	The appliance is not fixed properly on the brackets.	Take down the appliance and check it is properly fixed.
	The fan blade is damaged. The fan motor is not fixed tightly.	Switch off the appliance. Repair to be carried out by qualified service personnel only.
Light on, but fan does not work.	The fan blade is jammed. The motor is damaged.	Switch off the appliance. Repair to be carried out by qualified service personnel only.
	Light bulb broken.	Replace with a bulb with correct rating.
Both light and fan do not work	Problem with electrical connection.	Check the electrical connection with an electrician.
	Distance between the appliance and the cooking place too large.	Readjust the distance.
Suction performance is not good.	Metallic anti-grease filter is dirty.	Clean filters(see Cleaning and maintenance).
	Charcoal filter is dirty.	Charcoal filter(see Cleaning and maintenance).

## ENVIRONMENTAL PROTECTION



Waste electrical products should not be disposed of with household waste. Please recycle where

facilities exist. Check with your local Authority or retailer for recycling advice.

## WARRANTY INFORMATION

Your appliance is covered by a one year limited warranty. For one year from your original date of purchase, Electrolux will pay all costs for repairing or replacing any parts of this appliance that prove to be defective in materials or workmanship when such appliance is installed, used and maintained in accordance with the provided instructions.

### Exclusions

This warranty does not cover the following:

1. Products with original serial numbers that have been removed, altered or cannot be readily determined.
2. Product that has been transferred from its original owner to another party or removed outside the USA or Canada.
3. Rust on the interior or exterior of the unit.
4. Products purchased "as-is" are not covered by this warranty.
5. Products used in a commercial setting.
6. Service calls which do not involve malfunction or defects in materials or workmanship, or for appliances not in ordinary household use or used other than in accordance with the provided instructions.
7. Service calls to correct the installation of your appliance or to instruct you how to use your appliance.
8. Expenses for making the appliance accessible for servicing, such as removal of trim, cupboards, shelves, etc., which are not a part of the appliance when it is shipped from the factory.
9. Service calls to repair or replace consumable parts like grease or charcoal filters.
10. Surcharges including, but not limited to, any after hour, weekend, or holiday service calls, tolls, ferry trip charges, or mileage expense for service calls to remote areas, including the state of Alaska.

11. Damages to the finish of appliance or home incurred during installation, including but not limited to floors, cabinets, walls, etc.
12. Damages caused by: services performed by unauthorized service companies; use of parts other than genuine Electrolux parts or parts obtained from persons other than authorized service companies; or external causes such as abuse, misuse, inadequate power supply, accidents, fires, or acts of God.

### DISCLAIMER OF IMPLIED WARRANTIES;

### LIMITATION OF REMEDIES

CUSTOMER'S SOLE AND EXCLUSIVE REMEDY UNDER THIS LIMITED WARRANTY SHALL BE PRODUCT REPAIR OR REPLACEMENT AS PROVIDED HEREIN. CLAIMS BASED ON IMPLIED WARRANTIES, INCLUDING WARRANTIES OF MERCHANTABILITY OR FITNESS FOR A PARTICULAR PURPOSE, ARE LIMITED TO ONE YEAR OR THE SHORTEST PERIOD ALLOWED BY LAW, BUT NOT LESS THAN ONE YEAR. ELECTROLUX SHALL NOT BE LIABLE FOR CONSEQUENTIAL OR INCIDENTAL DAMAGES SUCH AS PROPERTY DAMAGE AND INCIDENTAL EXPENSES RESULTING FROM ANY BREACH OF THIS WRITTEN LIMITED WARRANTY OR ANY IMPLIED WARRANTY. SOME STATES AND PROVINCES DO NOT ALLOW THE EXCLUSION OR LIMITATION OF INCIDENTAL OR CONSEQUENTIAL DAMAGES, OR LIMITATIONS ON THE DURATION OF IMPLIED WARRANTIES, SO THESE LIMITATIONS OR EXCLUSIONS MAY NOT APPLY TO YOU. THIS WRITTEN WARRANTY GIVES YOU SPECIFIC LEGAL RIGHTS. YOU MAY ALSO HAVE OTHER RIGHTS THAT VARY FROM STATE TO STATE.

## **If You Need Service**

Keep your receipt, delivery slip, or some other appropriate payment record to establish the warranty period should service be required. If service is performed, it is in your best interest to obtain and keep all receipts. Service under this warranty must be obtained by contacting Electrolux at the addresses or phone numbers below.

This warranty only applies in the USA and Canada. In the USA, your appliance is warranted by Electrolux Major Appliances North America, a division of Electrolux Home Products, Inc. In Canada, your appliance is warranted by Electrolux Canada Corp. Electrolux authorizes no person to change or add to any obligations under this warranty. Obligations for service and parts under this warranty must be performed by Electrolux or an authorized service company. Product features or specifications as described or illustrated are subject to change without notice.

### **USA**

**1-877-435-3287**

Electrolux Major Appliances  
North America  
10200 David Taylor Drive  
Charlotte, NC 28262

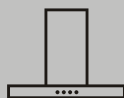
### **Canada**

**1-800-265-8352**

Electrolux Canada Corp.  
5855 Terry Fox Way  
Mississauga, Ontario, Canada  
L5V 3E4







**ECVW3062AS**  
**ECVW3662AS**

**Manuel d'utilisateur**  
Hotte aspirante

FR 2



# Bienvenue chez Electrolux! Merci d'avoir choisi notre appareil.



Pour l'assistance à la clientèle et la boutique en ligne, visitez le site:  
[www.electrolux.com/support/](http://www.electrolux.com/support/)



Pour une version plus complète du manuel de l'utilisateur, visitez le site:  
[www.electrolux.com/manuals/](http://www.electrolux.com/manuals/)

Sous réserve de modifications sans préavis

## TABLE DES MATIERES

1. INSTRUCTIONS DE SÉCURITÉ	2
2. EXIGENCES ÉLECTRIQUES	5
3. PIÈCES FOURNIES	6
4. ACCESSOIRES OPTIONNELS	6
5. INSTALLATION DE LA HOTTE	7
6. FONCTIONNEMENT	12
7. FONCTION SPÉCIALE	12
8. NETTOYAGE ET MAINTENANCE	13
9. DONNÉES TECHNIQUES	14
10. DÉPANNAGE	14
11. PROTECTION DE L'ENVIRONNEMENT	14
12. INFORMATIONS SUR LA GARANTIE	15

## ⚠ INSTRUCTIONS DE SÉCURITÉ

N'essayez pas d'installer ou d'utiliser cet appareil avant d'avoir lu les instructions de sécurité de ce manuel. Dans ce manuel, les éléments de sécurité sont marqués d'un Danger, d'un Avertissement ou d'une Attention selon le type de risque.

### ⚠ DÉFINITIONS

C'est le symbole d'alerte de sécurité. Il est utilisé pour vous avertir des risques potentiels de blessures corporelles. Respectez tous les messages de sécurité qui suivent ce symbole afin d'éviter tout risque de blessure ou de mort.

### ⚠ DANGER :

DANGER indique une situation de danger imminent qui, si elle n'est pas évitée, causera la mort ou des blessures graves.

### ⚠ ATTENTION :

DANGER indique une situation de danger imminent qui, si elle n'est pas évitée, causera la mort ou des blessures graves.

## **PRÉCAUTION :**

PRÉCAUTION indique une situation potentiellement dangereuse qui, si elle n'est pas évitée, pourrait entraîner des blessures légères ou modérées.

## **SÉCURITÉ DES ENFANTS**

Matériels d'emballage :

- Les cartons d'emballage recouverts de tapis, de couvre-lits, de feuilles de plastique ou de film étirable peuvent devenir des chambres hermétiques et provoquer rapidement la suffocation.
- Retirez le film de protection qui recouvre l'appareil avant de le mettre en service.
- Détruisez ou recyclez le carton de l'appareil, les sacs en plastique et tout autre matériau d'emballage extérieur immédiatement après le déballage du produit. Les enfants ne doivent jamais jouer avec ces articles. Risque d'étouffement!

## **IMPORTANT**

ATTENTIVEMENT AVANT L'INSTALLATION ET L'UTILISATION. L'INSTALLATION DOIT ÊTRE CONFORME À TOUS LES CODES LOCAUX. **IMPORTANT :** Conservez ces instructions pour l'usage de l'inspecteur local de l'électricité. **INSTALLATEUR :** Veuillez laisser ces instructions au propriétaire de cet appareil. **PROPRIÉTAIRE :** Veuillez conserver ces instructions pour référence ultérieure.

## **DANGER:**

Coupez toujours l'alimentation électrique sur le réseau pendant l'installation et la maintenance.

## **ATTENTION:**

Pour réduire les risques d'incendie, d'électrocution ou de blessure aux personnes, observez ce qui suit:

- **POUR UN ÉTATS-UNISGE RÉSIDENTIEL UNIQUEMENT**
- Utilisez cet appareil uniquement de la manière prévue par le fabricant. Si vous avez des questions, contactez le fabricant.  
Les travaux d'installation et le câblage électrique doivent être effectués par une ou plusieurs personnes qualifiées conformément à tous les codes et normes applicables, y compris les constructions à indice de résistance au feu.
- Une quantité suffisante d'air est nécessaire pour une combustion correcte et l'évacuation des gaz par le conduit (cheminée) des appareils brûlant du combustible afin d'éviter le refoulement. Suivez les directives des fabricants de matériel de chauffage et les normes de sécurité telles que celles publiées par la National Fire Protection Association (NFPA), l'American Society for Heating, Refrigeration and Air Conditioning Engineers (ASHRAE) et les autorités locales.
- Lorsque vous coupez ou percez un mur ou un plafond, n'endommagez pas le câblage électrique et les autres services publics cachés (par exemple les conduites de gaz)  
Les systèmes de conduits doivent toujours être ventilés vers l'extérieur, toujours vers l'extérieur.

### **ATTENTION:**

Avant de procéder à l'entretien ou au nettoyage de l'appareil, coupez le courant au panneau de service et verrouillez les moyens de déconnexion du panneau de service afin d'éviter que le courant ne soit mis en marche accidentellement. Lorsque le moyen de déconnexion du service ne peut être verrouillé, fixez solidement un dispositif d'avertissement bien visible, tel qu'une étiquette, au panneau de service.

### **PRÉCAUTION:**

Pour une utilisation générale de ventilation uniquement. NE PAS utiliser pour évacuer des matières ou des vapeurs dangereuses ou explosives.

### **PRÉCAUTION:**

Afin de réduire les risques d'incendie et d'évacuer correctement l'air, veillez à faire passer l'air à l'extérieur - n'évacuez pas l'air vicié dans les murs, les plafonds, les greniers, les vides sanitaires ou les garages.

### **ATTENTION:**

Pour réduire le risque d'incendie, utilisez uniquement des conduits métalliques. Installez cette hotte conformément à toutes les exigences spécifiées.

### **ATTENTION:**

Pour réduire le risque d'incendie ou de choc électrique, n'utilisez pas cette hotte avec un dispositif externe de contrôle de vitesse à semi-conducteurs.

### **ATTENTION:**

Pour réduire le risque d'un feu de graisse sur la cuisinière:

- Ne laissez jamais les unités de surface sans surveillance à des températures élevées. Les débordements provoquent de la fumée et des déversements de graisse qui peuvent s'enflammer. Faites chauffer lentement les huiles à feu doux ou moyen.
- Allumez toujours la hotte lorsque vous cuisinez à feu vif.

### **ATTENTION:**

- N'utilisez pas la hotte sans les filtres à graisse, ou si les filtres sont excessivement gras.
- Utilisez une taille de casserole appropriée. Utilisez toujours des ustensiles de cuisine adaptés à la taille de l'élément de surface.

## **ATTENTION:**

Pour réduire le risque de blessure aux personnes, en cas d'incendie de graisse de la table de cuisson, observez ce qui suit :

- Étouffez les flammes avec un couvercle bien ajusté, une plaque à biscuits ou un autre plateau métallique, puis éteignez le brûleur à gaz ou l'élément électrique.
  - Veillez à éviter les brûlures. Si les flammes ne s'éteignent pas immédiatement, évacuez et appelez les pompiers.
  - N'utilisez pas d'eau, y compris des torchons ou des serviettes humides - une violente explosion de vapeur en résulterait.
  - N'utilisez un extincteur que si :
  - Vous savez que vous avez un extincteur de classe ABC, et vous savez déjà comment le faire fonctionner.
  - L'incendie est petit et contenu dans la zone où il a débuté.
  - Le service d'incendie est appelé.
- Vous pouvez combattre le feu en tournant le dos à une sortie.

## **PRÉCAUTION**

Laissez toujours les grilles et les filtres de sécurité en place.

## EXIGENCES ÉLECTRIQUES

### **IMPORTANT**

Respectez tous les codes et ordonnances en vigueur.

### **PRÉCAUTION :**

Pour réduire le risque d'incendie et de choc électrique, installez cette hotte uniquement avec des ventilateurs intégrés fabriqués par Chinabest Home Appliance Co, Ltd, modèle CTH03-128D.

C'est la responsabilité du client :

- pour contacter un installateur électrique qualifié.
- pour s'assurer que l'installation électrique est adéquate et conforme au Code national de l'électricité, ANSI/NFPA 70 - dernière édition\*, ou aux normes CSA C22.1-94, Code canadien de l'électricité, Partie 1 et C22.2 No.0-M91 - dernière édition\*\* et à tous les codes et ordonnances locaux.
- Si les codes le permettent et qu'un fil de terre séparé est utilisé, il est recommandé qu'un électricien qualifié détermine que le chemin de terre est adéquat.
- Ne pas relier la terre à une conduite de gaz.
- Vérifiez auprès d'un électricien qualifié si vous n'êtes pas sûr que la hotte de cuisine est correctement mise à la terre.
- Ne pas avoir de fusible dans le circuit de neutre ou de terre.

### **IMPORTANT**

Conservez les instructions d'installation pour l'usage de l'inspecteur en électricité. La hotte de cuisine doit être connectée avec du fil de cuivre uniquement. La hotte de cuisine doit être raccordée directement à la boîte à fusibles (ou au disjoncteur) par un conduit électrique métallique.

La taille des fils doit être conforme aux exigences du Code national de l'électricité ANSI/NFPA 70 - dernière édition", ou des normes CSA C22.1-94, du Code canadien de l'électricité partie 1 et C22.2 n° 0-M91 - dernière édition\*\* et de tous les codes et ordonnances locaux.

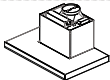

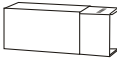
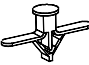
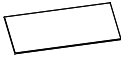





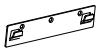


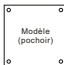

Un connecteur de conduit répertorié U.L. - ou C.S.A. - doit être prévu à chaque extrémité du conduit d'alimentation électrique (à la hotte de cuisine et à la boîte de jonction).

Des copies des normes énumérées peuvent être obtenues auprès de :

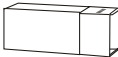

\* National Fire Protection Association  
Battery march Park Quincy, Massachusetts  
02269

\*\* CSA International 8501 East Pleasant Valley Road Cleveland, Ohio 44131-5575  
Exigence de puissance :  
Circuit de dérivation 120V-, 60Hz, 15 ou 20A.

## PIÈCES FOURNIES

N°	Pièce	Qté.	N°	Pièce	Qté.	
1.		Hotte aspirante	1	9.	 Coussin anti-vibration	2
2.		Cheminée supérieure+ Cheminée inférieure	2,1 2,2	10.	 Ancre de mur	9
3.		Plaque d'aspiration	1	11.	 Vis longue ST35 x 50	9
4.		Support supérieur	1	12.	 Vis courte M4 x 8	2
5.		Support inférieur	1	13.	 Écrou de fil de fer	3
6.		Support de montage j	1	14.	 Vis à tête creuse M4 x 14	2
7.		Bande d'éponge latérale	2	15.	 Modèle de montage	1
8.		Bandeau éponge frontal	1			

## ACCESSOIRES OPTIONNELS

1.		Cheminée d'extension de 8" Elux PN : EHW08X62AS Cheminée d'extension de 12" Elux PN : EHW12X62AS Cheminée d'extension de 14" Elux PN : EHW14X62AS	1
2.		Kit de recirculation avec vis Elux PN : EHW62RKT	1

# INSTALLATION DE LA HOTTE



## IMPORTANT

Nous recommandons que deux personnes procèdent à l'installation.



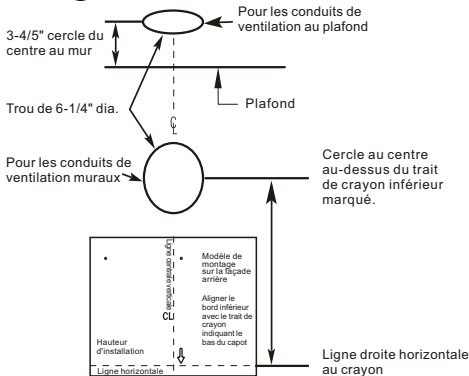
## ATTENTION :

Coupez l'alimentation électrique à l'entrée de service avant de procéder au câblage.

### Préparation

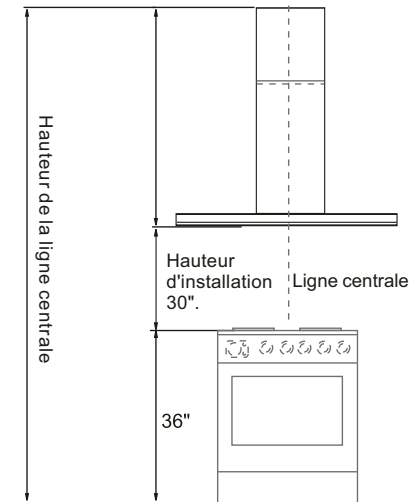
- Déterminer l'emplacement exact de la hotte.
- Prévoyez l'itinéraire à suivre pour évacuer les gaz d'échappement vers l'extérieur (fig.③)
- Prévoyez le cheminement de l'évacuation des gaz d'échappement vers le Plan de raccordement électrique avant
- l'installation afin que le câblage électrique ne soit pas visible après à l'extérieur.
- Emplacement du câblage de la maison : La boîte de jonction est située en haut à droite du capot.
- Le câblage doit pénétrer dans la paroi arrière au moins 20" au-dessus du bas de la hotte à l'installation en hauteur et être contenu dans les couvercles de la cheminée. Il est préférable que le câblage soit décalé vers la droite du centre pour éviter les interférences avec les conduites (fig.①②).

Fig. ①



- Utilisez le chemin de conduit le plus court et le plus droit possible.
- Toute modification murale nécessaire (c'est-à-dire la structure de support, le câblage, les conduits) doit être effectuée avant l'installation de la hotte de cuisine.
- Outils nécessaires (non inclus) :
  - Conduit d'évacuation
  - Perceuse électrique
  - Tournevis
  - Niveau
  - Détecteur de câble
  - Ruban de mesure
  - Ruban adhésif à support papier

Fig. ②



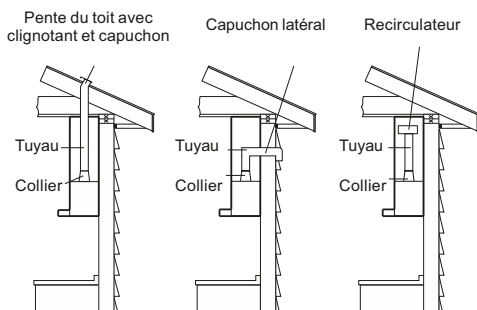


## Directives d'installation des conduits

- Pour des raisons de sécurité lors de la pose de conduits à l'extérieur (sans utiliser un kit de recirculation), les conduits doivent déboucher directement à l'extérieur (pas dans un grenier, sous la maison, dans le garage ou dans tout autre espace clos).
- Les conduits doivent être aussi courts et droits que possible.
- Les raccords de conduits (coudes et transitions) réduisent l'efficacité du flux d'air. Le dos au coude et les virages en "S" donnent de très mauvais résultats et ne sont pas recommandés.
- Utilisez un conduit rond de 6" approprié
- Les conduits métalliques flex ne sont pas recommandés.
- Limitez l'utilisation à de courtes longueurs et ne vous écrasez pas en faisant des entrées.

## Exemples de gaines ou de recirculation d'air possibles

Fig. ③



### IMPORTANT

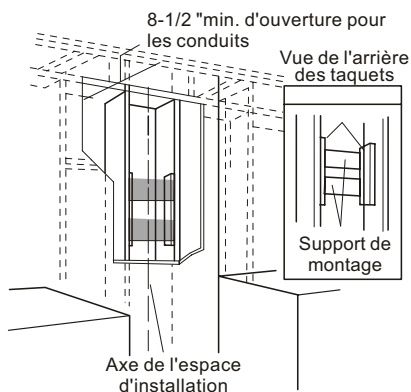
- Cette hotte est très lourde. Une structure et un support adéquats doivent être prévus dans tous les types d'installations.

L'ajout d'une attelle supplémentaire est recommandé et peut-être nécessaire.

## Installer un cadre pour le support de la hotte

- En utilisant les dimensions ou le modèle, marquez les endroits nécessaires pour le soutien.
- Découpez suffisamment de cloisons sèches pour exposer 2 montants verticaux à l'endroit des trous indiqués par le modèle. Installez des supports horizontaux entre les montants muraux à tous les endroits de montage (fig. ④).

Fig. ④



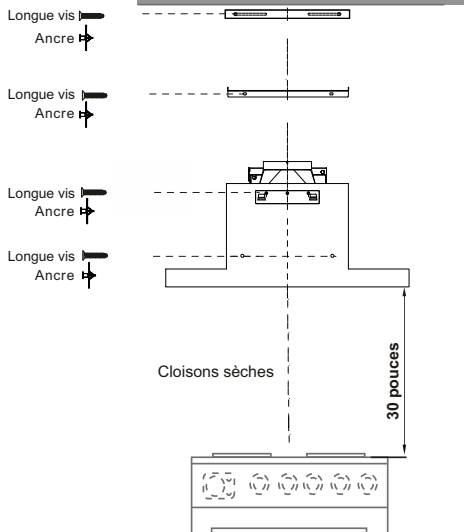
### IMPORTANT

Le cadre doit être capable de supporter 100 livres

#### Étape 1 :

- Assurez-vous qu'aucun câble ou tuyau ne sera endommagé (par exemple, électricité, gaz, eau ; testez les zones en question avec un détecteur de câbles).
- Avant de placer le modèle fourni, veuillez marquer la ligne centrale de la table de cuisson et mesurer à 30" de la table de cuisson.
- À l'aide du gabarit de montage fourni (point 15), marquez et percez 9 trous dans le mur. Percez les trous en fonction des distances mesurées par rapport au schéma (fig. ⑤)
- Haut/Bas/Support de montage (4, 5, 6)/point de fixation anti-bascule : Insérez 9 ancrés dans les 9 trous percés.

Fig. ⑤

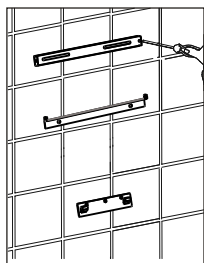


Voir le modèle de montage (point 15)

### Étape 2 :

- Montez les supports supérieurs, inférieurs et de montage (4, 5, 6) sur le mur. Fixez avec 7 jeux de vis longues (fig. ⑥).

Fig. ⑥



### IMPORTANT

Lorsque le plafond est de 8 pieds, ce support n'est pas nécessaire

### Étape 3 :

### ATTENTION :

Cette hotte est très lourde. Deux personnes sont nécessaires pour soulever la cagoule sur le support de montage.

### IMPORTANT

Avant d'accrocher la hotte au mur, veuillez vous assurer que la plaque d'aspiration a été retirée du corps pour éviter qu'elle ne tombe et ne blesse l'installateur.

1. Installer le coussin anti-vibration (point 9) à l'arrière du corps du capot (fig. ⑦). Découper le support et coller les bandes d'éponge (point 7, 8) à l'avant et sur les côtés du boîtier supérieur du ventilateur comme indiqué (fig. ⑧).
2. Installez soigneusement la hotte sur le support de montage jusqu'à ce qu'elle repose sur le mur. Assurez-vous que la hotte est centrée sur la table de cuisson et entre les armoires, le cas échéant, avant de passer à l'étape suivante.
3. Installez les vis de montage comme indiqué dans (fig. ⑨) pour éviter les basculements et les vibrations.

Fig. ⑦

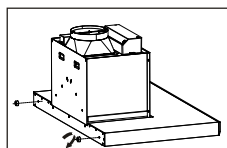


Fig. ⑧

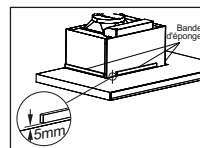
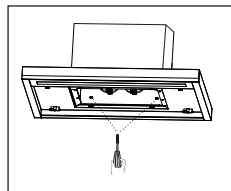
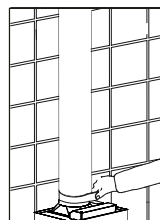


Fig. ⑨



- Installez et fixez le conduit comme indiqué (fig. ⑩). Assurez-vous que les connexions sont étanches, respectez toutes les bonnes pratiques, les codes locaux et les réglementations relatives à l'évacuation des gaz d'échappement de la hotte.

Fig. ⑩



## Connexions électriques

### **⚠ DANGER**

Danger de choc électrique! Tous les raccordements doivent être effectués par un électricien qualifié, conformément à tous les codes et règlements en vigueur.

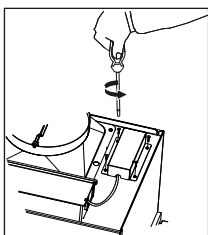
### **➔ IMPORTANT**

Coupez toujours l'alimentation électrique sur le réseau pendant l'installation, le nettoyage et la maintenance.

### Étape 4 :

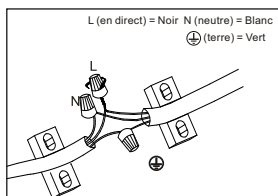
- Desserrer les 4 vis courtes de la boîte de jonction (fig.11).

Fig.11



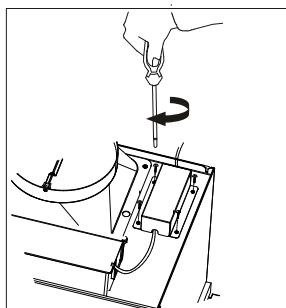
- Connectez les câbles d'arrivée positifs, neutres et de terre aux terminaux respectifs. (fig.12).

Fig.12



- Montez la boîte de jonction sur la hotte à l'aide de 4 vis courtes (fig.13).

Fig.13



### Étape 5:

- Insérez la cheminée supérieure (Point 2.1) dans la cheminée inférieure (point 2.2) de haut en bas (fig.14).
- Montez la cheminée inférieure (Point 2.2) sur la hotte de cuisine (Point 1).
- Montez la cheminée inférieure (Point 2.2) sur le support inférieur (point 5) en utilisant 2 vis (point 14) à la main (fig.15) puis serrez les vis avec un tournevis (fig.16).

Fig.14

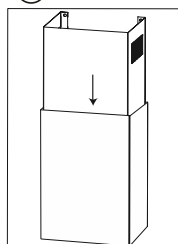


Fig.15

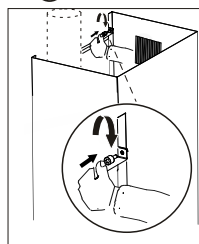
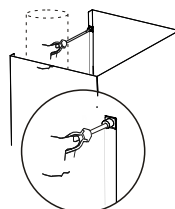
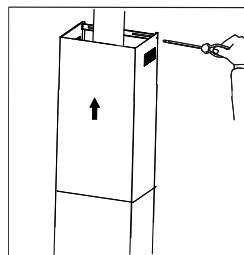


Fig.16



- Tirez la cheminée supérieure (2.1) vers le haut pour qu'elle corresponde au trou de vis du support supérieur. Montez sur le support supérieur (4) avec deux vis latérales 12 (fig.17).

Fig.17



### **⚠ PRÉCAUTION**

Danger de blessure: Les jupes de cheminée peuvent présenter des arêtes tranchantes.

## Étape 6:

### Installez la plaque d'aspiration sur le corps de la hotte.

- Montez le support droit de la plaque pré-métallique sur la charnière fixe droite (fig. 18), puis poussez la charnière gauche jusqu'au bout pour qu'elle corresponde au trou du support gauche de la plaque et relâchez la charnière pour les verrouiller. (fig. 19).

Fig. 18

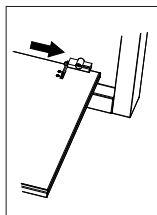
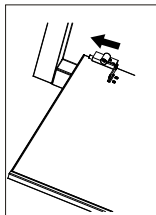


Fig. 19



### Opération d'extraction

#### Composition de l'air

- Les codes locaux du bâtiment peuvent exiger l'utilisation de systèmes d'air d'appoint lorsque l'on utilise des systèmes de ventilation dont le débit d'air est supérieur au CFM spécifié. Le CFM spécifié varie d'un endroit à l'autre. Consultez votre professionnel du CVC pour connaître les exigences spécifiques de votre région.
- Air recirculé : Les fumées de cuisine sont éliminées et, après purification, sont réinjectées dans la pièce par les ouvertures de ventilation supérieures. La purification se fait par un filtre anti-graisse métallique. Aucune percée de mur n'est nécessaire pour le fonctionnement avec de l'air recirculé.

### Installation d'une hotte de cuisine au mur en mode recirculation

- Pour le fonctionnement de la hotte de cuisine avec kit de recirculation# EHW62RKT est nécessaire et peut être acheté en appelant le 1-800-944-9044 (ÉTATS-UNIS) ou le 1-800-265-8352 (Canada)
- Suivez les étapes 1 à 4 du chapitre Installation de la hotte de cuisine au mur (Fonctionnement de l'évacuation).
- Pour installer la boîte de recirculation, percez 2 trous supplémentaires dans le mur.
- Fixez la boîte de recirculation au mur avec deux jeux de vis longues (Point 11) et de chevilles (Point 10) (fig. 20).
- Fixez le conduit d'évacuation sur le fond de la boîte de recirculation.
- Suivez l'étape 5 du sous-chapitre Installation de la hotte de cuisine au mur (Fonctionnement de l'évacuation).

Fig. 20

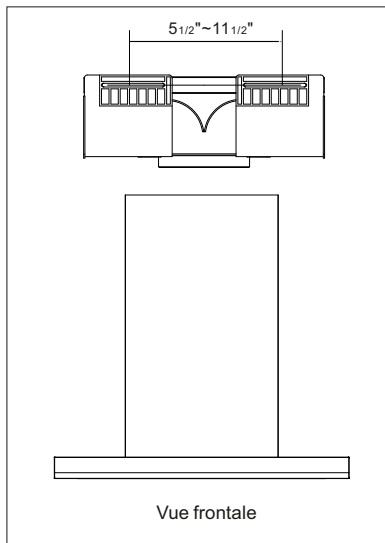
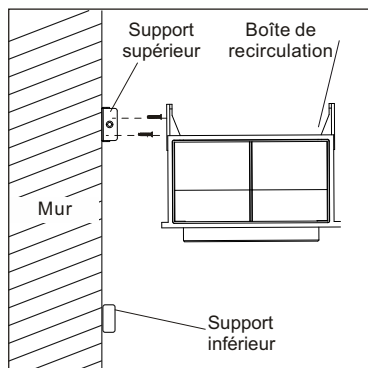
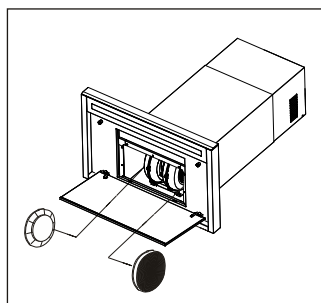


Fig. 20



Vue latérale

Fig. 21



Réinstallez le filtre à graisse en fermant la plaque d'aspiration (fig. 21). Installez un filtre à charbon de chaque côté du moteur de la soufflante en insérant les filtres sur le goujon en forme de "T" et en les tournant pour les verrouiller en place.

## FUNCTIONNEMENT

Appuyez sur l'un des boutons de vitesse / / pour mettre l'appareil en marche.

Bouton	Fonction :
	Appuyez sur le bouton  pour éteindre l'appareil.
	Appuyez sur le bouton  pour une vitesse réduite.
	Appuyez sur le bouton  pour une vitesse moyenne.
	Appuyez sur le bouton  pour une vitesse élevée.
	Appuyez sur le bouton  pour régler la lumière sur une faible intensité. Appuyez une seconde fois pour régler la lumière sur une intensité moyenne. Appuyez une troisième fois pour régler la lumière à une intensité élevée. Appuyez sur la quatrième fois ou sur le bouton "Power" pour éteindre la lumière.

### Pour une meilleure performance

#### NOTE

Il est recommandé d'utiliser la hotte de cuisine pendant la cuisson et pendant plusieurs minutes après la cuisson afin de réduire l'humidité et les odeurs à l'intérieur de votre espace cuisine.

- Allumez la hotte avant de commencer à cuisiner.
- Nettoyez fréquemment les filtres (voir la section Nettoyage et entretien ci-dessous).
- Utilisez une vitesse basse pour une utilisation normale et une vitesse plus élevée pour les odeurs ou les fumées fortes.

## FUNCTION SPÉCIALE

### Capteur de température

- Ce produit est équipé d'un capteur de température qui met automatiquement en marche le ventilateur à vitesse moyenne lorsque des températures élevées sont détectées (plus de 158°F ou 70°C).
- Si le ventilateur fonctionne déjà à basse vitesse et que des températures élevées sont détectées, le ventilateur passera automatiquement à une vitesse moyenne.

- Au cours de cet événement, la vitesse du ventilateur peut être modifiée manuellement pour passer à une vitesse élevée, mais pas à une vitesse faible ou à l'arrêt.
- Lorsque le capteur de température détecte une baisse importante de la température, l'appareil fonctionne normalement.

# NETTOYAGE ET MAINTENANCE

## Nettoyage

### DANGER

Coupez toujours l'alimentation électrique au niveau du boîtier du disjoncteur pendant l'installation, le nettoyage ou l'entretien.

### NOTE

L'efficacité de la hotte de cuisine dépend de la propreté de l'admission et des filtres.

Il ne faut pas laisser la graisse s'accumuler sur la hotte ou le filtre.

- Nettoyez l'appareil dans les intervalles suivants :

Régulièrement	Utilisez un chiffon doux humidifié à la main avec de l'eau légèrement savonneuse ou du détergent ménager. N'utilisez jamais de coussins métalliques, de produits chimiques, de matériaux abrasifs ou de brosses rigides pour nettoyer l'appareil.
Mensuel	<b>Filtre aluminium:</b> Le filtre recueille la graisse, la fumée et la poussière, de sorte que le filtre affecte directement l'efficacité de la hotte de cuisine. Si le filtre n'est pas nettoyé, les résidus de graisse (potentiellement inflammables) satureront le filtre. Nettoyez-le avec un détergent ménager. Le filtre passe au lave-vaisselle. <b>Boîte de recirculation:</b> nettoyer les ouvertures de ventilation sur les côtés supérieurs.
Tous les 4 à 6 mois	<b>Filtres à charbon :</b> <ul style="list-style-type: none"><li>• Si le modèle n'est pas ventilé vers l'extérieur, l'air sera recirculé à travers des filtres à charbon jetables qui aident à éliminer la fumée et les odeurs.</li><li>• Les filtres à charbon ne peuvent pas être nettoyés, ils doivent être remplacés régulièrement (en fonction de l'utilisation de la hotte de cuisine).</li><li>• Note : Ne rincez pas et ne mettez pas les filtres à charbon dans un lave-vaisselle.</li><li>• Note : Les filtres à charbon ne sont pas inclus avec la hotte de cuisine.</li></ul>

### IMPORTANT

Nettoyez le filtre tous les mois pour éviter tout risque d'incendie.

## Maintenance

- Service à la clientèle - Ne réparez ou ne remplacez aucune pièce de l'appareil, sauf si le manuel le recommande expressément. Toute autre intervention doit être confiée à un technicien qualifié.

### IMPORTANT

Les pièces et accessoires non fournis avec votre cagoule, ou pour son remplacement, peuvent être achetés sur [www.electrolux.com](http://www.electrolux.com) ou en appelant le 1-800-944-9044 (ÉTATS-UNIS) ou le 1-800-265-8352 (Canada).

## DONNÉES TECHNIQUES

Alimentation électrique : 120V-60HZ

Puissance du moteur : 330W

Puissance de la lampe : 10W pour ECVW3062AS  
12W pour ECVW3662AS

## DÉPANNAGE

Problème	Cause	Solution
Vibration excessive	L'appareil n'est correctement fixé sur les supports	Démontez l'appareil et vérifiez qu'il est bien fixé.
	La lame du ventilateur est endommagée.	
Allumée, mais le ventilateur ne fonctionne pas.	Le moteur du ventilateur n'est pas fixé solidement.	Éteignez l'appareil. Les réparations doivent être effectuées uniquement par du personnel de service qualifié.
	La lame du ventilateur est bloquée.	
La lumière et le ventilateur ne fonctionnent pas.	Le moteur est endommagé. The motor is damaged.	Remplacez par une ampoule de calibre correct.
	Ampoule cassée. Light bulb broken.	
La performance d'aspiration n'est pas bonne.	Problème de connexion électrique.	Vérifiez le branchement électrique avec un électricien.
	La distance entre l'appareil et le lieu de cuisson est trop grande.	Réajustez la distance.
	Le filtre anti-graisse métallique est sale.	Nettoyer les filtres (voir Nettoyage et maintenance).
	Le filtre au charbon est sale.	Filtre à charbon (voir Nettoyage et maintenance).

## PROTECTION DE L'ENVIRONNEMENT



Les déchets de produits électriques ne doivent pas être jetés avec les ordures ménagères. Veuillez recycler là où les installations existent. Renseignez-vous auprès de votre autorité locale ou de votre détaillant pour obtenir des conseils sur le recyclage.

## INFORMATIONS SUR LA GARANTIE

Votre appareil est couvert par une garantie limitée d'un an. Pendant un an à compter de votre date d'achat initiale, Electrolux paiera tous les frais de réparation ou de remplacement de toute pièce de cet appareil qui s'avérerait défectueuse en termes de matériaux ou de fabrication lorsque cet appareil est installé, utilisé et entretenu conformément aux instructions fournies.

### Exclusions

Cette garantie ne couvre pas les éléments suivants :

1. Les produits dont les numéros de série originaux ont été retirés, modifiés ou ne peuvent pas être facilement déterminés.
2. Produit qui a été transféré de son propriétaire initial à une autre partie ou qui a été retiré en dehors des ÉTATS-UNIS ou du Canada.
3. La rouille sur l'intérieur ou l'extérieur de l'unité.
4. Les produits achetés "en l'état" ne sont pas couverts par cette garantie.
5. Produits utilisés dans un cadre commercial.
6. Les appels de service qui n'impliquent pas de dysfonctionnement ou de défauts de matériaux ou de fabrication, ou pour des appareils qui ne sont pas utilisés dans le cadre d'un usage domestique ordinaire ou qui sont utilisés autrement que conformément aux instructions fournies.
7. Appels de service pour corriger l'installation de votre appareil ou pour vous indiquer comment utiliser votre appareil.
8. Les dépenses visant à rendre l'appareil accessible pour l'entretien, telles que l'enlèvement des garnitures, des placards, des étagères, etc. qui ne font pas partie de l'appareil lorsqu'il est expédié de l'usine.
9. Les appels de service pour réparer ou remplacer des pièces consommables comme les filtres à graisse ou à charbon.
10. Les frais supplémentaires comprennent, sans s'y limiter, les appels de service après l'heure, le week-end ou les jours fériés, les péages, les frais de voyage en ferry ou les frais de kilométrage pour les appels de service vers des régions éloignées, y compris l'État de l'Alaska.
11. Dommages à la finition de l'appareil ou de la maison encourus lors de l'installation, y compris, mais sans s'y limiter, les sols, les armoires, les murs, etc.
12. Les dommages causés par : des services effectués par des sociétés de service non autorisées ; l'utilisation de pièces autres que les pièces d'origine Electrolux ou de pièces obtenues auprès de personnes autres que des sociétés de service autorisées ; ou des causes externes telles qu'un abus, une mauvaise utilisation, une alimentation électrique inadéquate, des accidents, des incendies ou des cas de force majeure.

### EXCLUSION DES GARANTIES IMPLICITES ; LIMITATION DES RECOURS

LE SEUL ET UNIQUE RECOURS DU CLIENT DANS LE CADRE DE CETTE GARANTIE LIMITÉE SERA LA RÉPARATION OU LE REMPLACEMENT DU PRODUIT COMME PRÉVU DANS LE PRÉSENT DOCUMENT. LES RÉCLAMATIONS FONDÉES SUR DES GARANTIES IMPLICITES, Y COMPRIS LES GARANTIES DE QUALITÉ MARCHANDE OU D'ADÉQUATION À UN ÉTATS-UNISGE PARTICULIER, SONT LIMITÉES À UN AN OU À LA PÉRIODE LA PLUS COURTE AUTORISÉE PAR LA LOI, MAIS PAS MOINS D'UN AN. ELECTROLUX NE SERA PAS RESPONSABLE DES DOMMAGES INDIRECTS OU ACCESSOIRES TELS QUE LES DOMMAGES MATÉRIELS ET LES FRAIS ACCESSOIRES RÉSULTANT DE TOUTE VIOLATION DE CETTE GARANTIE LIMITÉE ÉCRITE OU DE TOUTE GARANTIE IMPLICITE. CERTAINS ÉTATS ET PROVINCES N'AUTORISENT PAS L'EXCLUSION OU LA LIMITATION DES DOMMAGES ACCESSOIRES OU INDIRECTS, NI LA LIMITATION DE LA DURÉE DES GARANTIES IMPLICITES, DE SORTE QUE CES LIMITATIONS OU EXCLUSIONS PEUVENT NE PAS S'APPLIQUER À VOUS. CETTE GARANTIE ÉCRITE VOUS DONNE DES DROITS LÉGAUX SPÉCIFIQUES. VOUS POUVEZ ÉGALEMENT AVOIR D'AUTRES DROITS QUI VARIENT D'UN ÉTAT À L'AUTRE.



## **Si vous avez besoin d'un service**

Conservez votre reçu, votre bon de livraison ou tout autre document de paiement approprié pour établir la période de garantie si un service est requis. Si le service est effectué, il est dans votre intérêt d'obtenir et de conserver tous les reçus. Le service au titre de cette garantie doit être obtenu en contactant Electrolux aux adresses ou numéros de téléphone ci-dessous. Cette garantie s'applique uniquement aux ÉTATS-UNIS et au Canada. Aux ÉTATS-UNIS, votre appareil est garanti par Electrolux Major Appliances North America, une division d'Electrolux Home Products, Inc. Au Canada, votre appareil est garanti par Electrolux Canada Corp. Electrolux n'autorise personne à modifier ou à ajouter des obligations dans le cadre de cette garantie. Les obligations en matière de service et de pièces détachées dans le cadre de cette garantie doivent être exécutées par Electrolux ou une société de service autorisée. Les caractéristiques ou spécifications du produit, telles que décrites ou illustrées, peuvent être modifiées sans préavis.

### **ÉTATS-UNIS**

1-877-435-3287

Electrolux Gros électroménager

Amérique du Nord

10200 David Taylor Drive

Charlotte, NC 28262

Canada

1-800-265-8352

Electrolux Canada Corp.

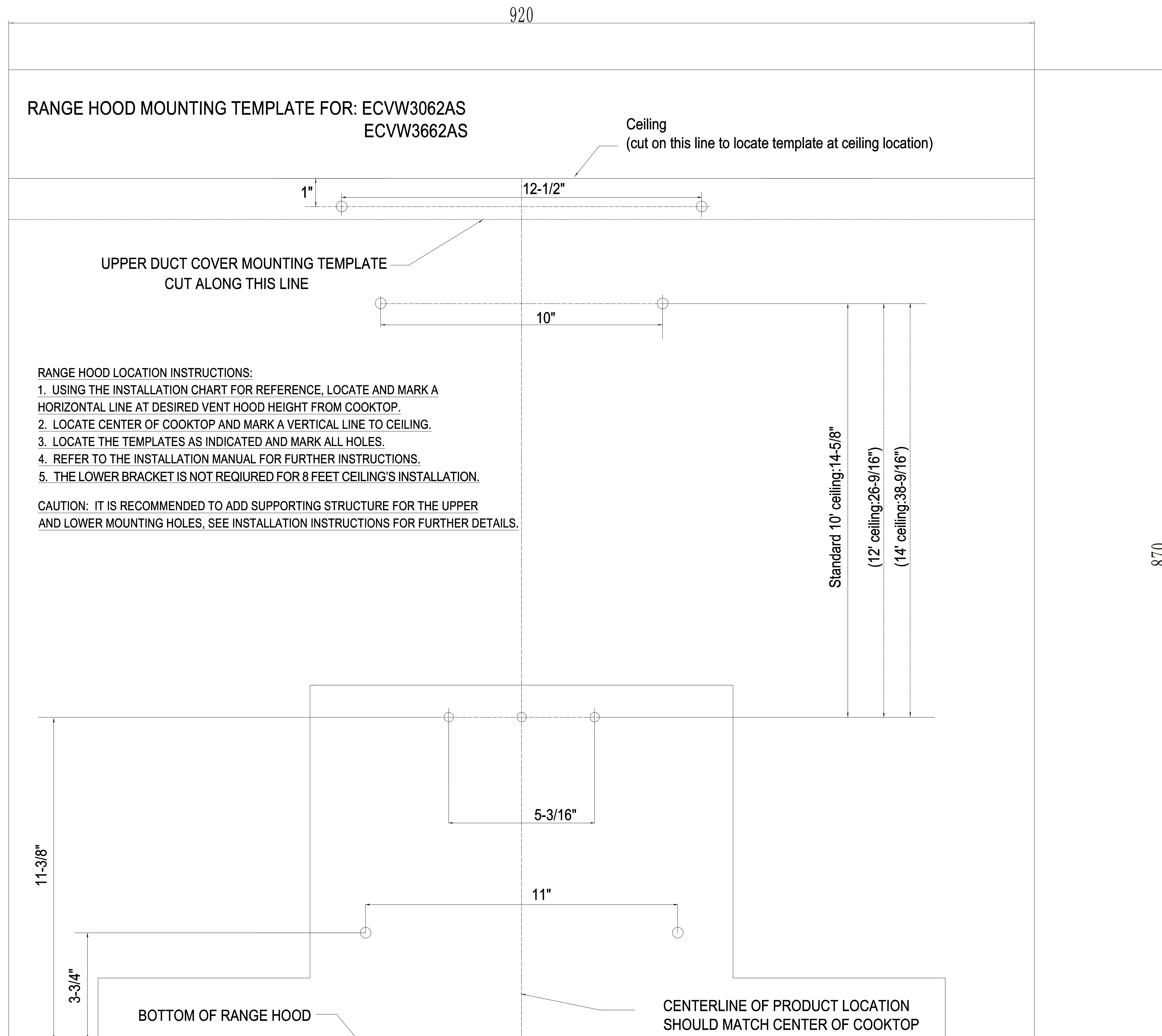
5855 Terry Fox Way

Mississauga, Ontario, Canada

L5V3E4



安装模板 / 200克黄色牛皮 / 按标注尺寸  
放在纸箱内



**HYT17US54012**

## Free Manuals Download Website

<http://myh66.com>

<http://usermanuals.us>

<http://www.somanuals.com>

<http://www.4manuals.cc>

<http://www.manual-lib.com>

<http://www.404manual.com>

<http://www.luxmanual.com>

<http://aubethermostatmanual.com>

Golf course search by state

<http://golfingnear.com>

Email search by domain

<http://emailbydomain.com>

Auto manuals search

<http://auto.somanuals.com>

TV manuals search

<http://tv.somanuals.com>