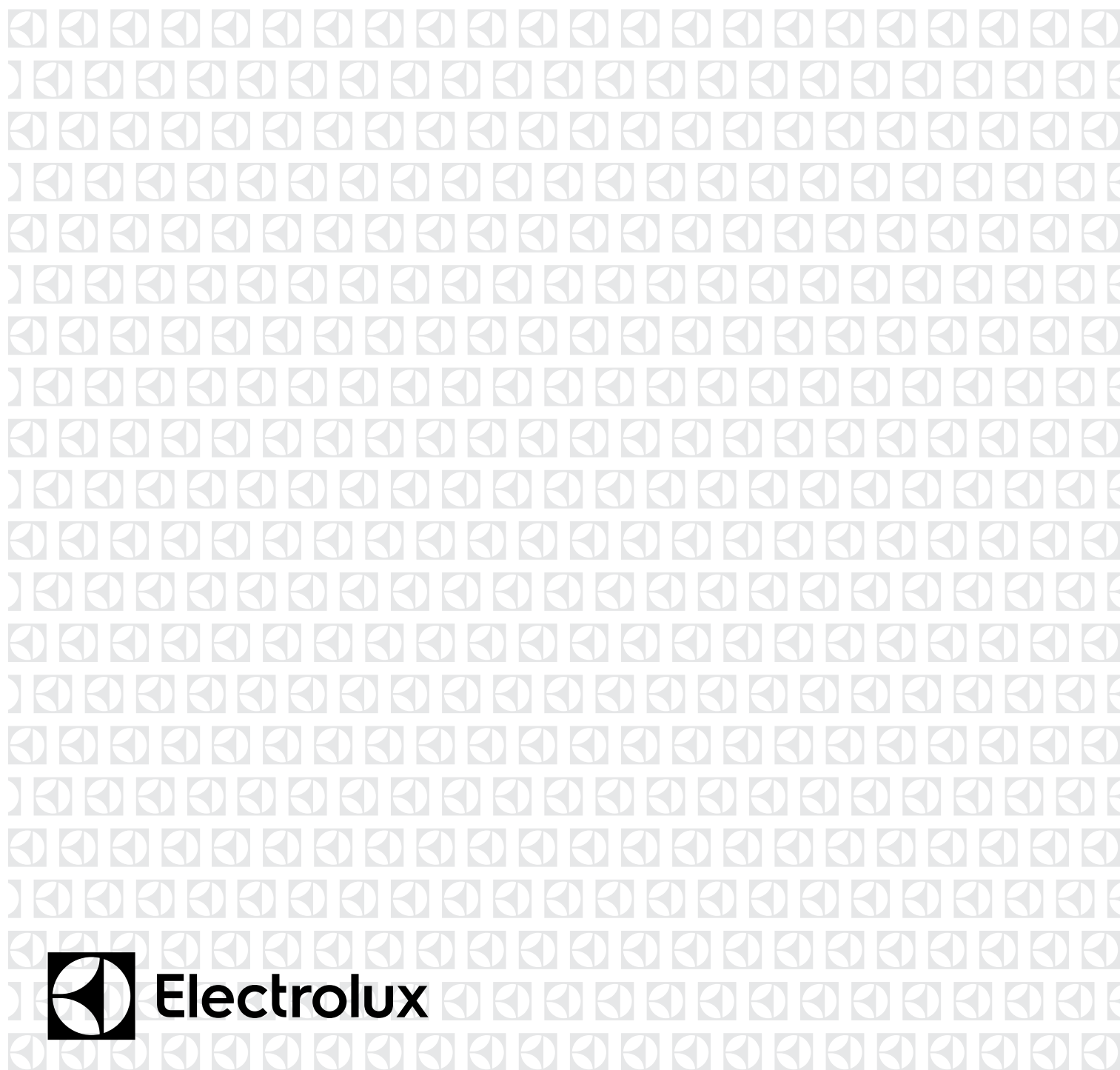


Modular refrigerator
Connection kit

Installation manual



CONNECTION KIT

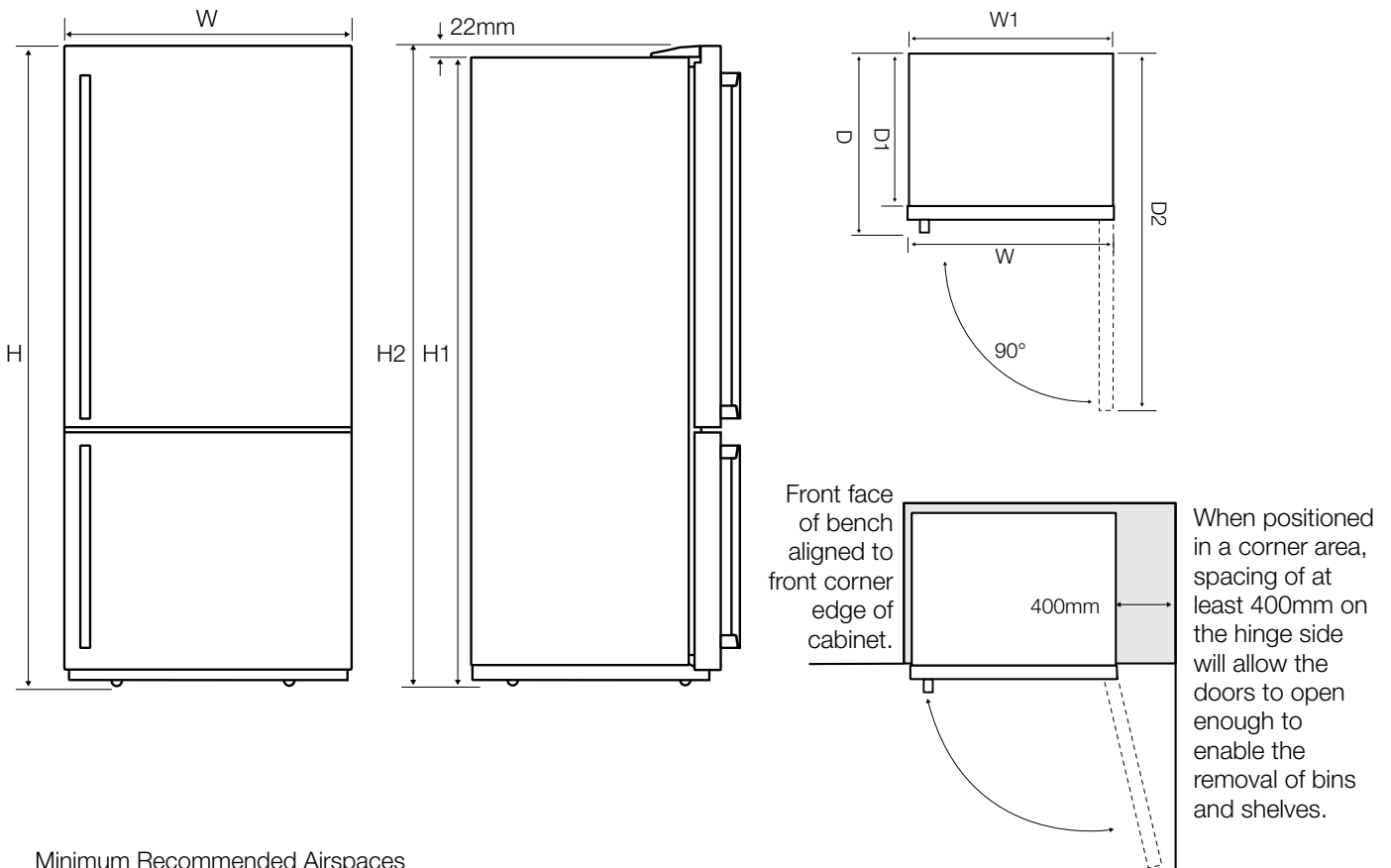
This connection kit is designed for use on the following top mount, bottom mount and single door refrigerators and freezers whose total body height is 1725 mm.

The model numbers and overall dimensions of individual products are:

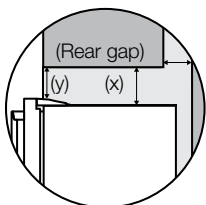
model	description	max door height (H)	cabinet height (H1)	total height (H2)	door width (W)	cabinet width (W1)	total depth (D)	cabinet depth (D1)	depth door open (D2)
ETE4607SA-R	460 lt Top-Mount, RH Door	1725	1705	1725	699	693	773	641	1360
ETE4607SA-L	460 lt Top-Mount, LH Door	1725	1705	1725	699	693	773	641	1360
ETE5407SA-R	540 lt Top-Mount, RH Door	1725	1705	1725	796	790	773	641	1457
ETE5407SA-L	540 lt Top-Mount, LH Door	1725	1705	1725	796	790	773	641	1457
EBE4507SA-R	450 lt Bottom-Mount, RH Door	1725	1705	1725	699	693	773	641	1360
EBE4507SA-L	450 lt Bottom-Mount, LH Door	1725	1705	1725	699	693	773	641	1360
EBE5307SA-R	530 lt Bottom-Mount, RH Door	1725	1705	1725	796	790	773	641	1457
EBE5307SA-L	530 lt Bottom-Mount, LH Door	1725	1705	1725	796	790	773	641	1457
EBE5367SA-R	530 lt Bottom-Mount, RH Door	1725	1705	1725	796	790	773	641	1457
ERE5047SA-R	500 lt Single Door, Refrigerator	1725	1705	1725	699	693	773	641	1360
EFE4227SA-L	420 lt Single Door, Freezer LH	1725	1705	1725	699	693	773	641	1360

All measurements are in millimetres.

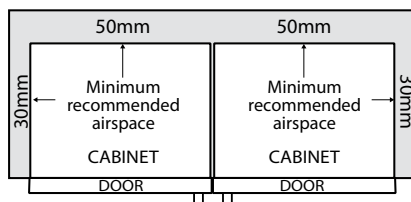
SINGLE CABINET DIMENSIONS



Minimum Recommended Airspaces

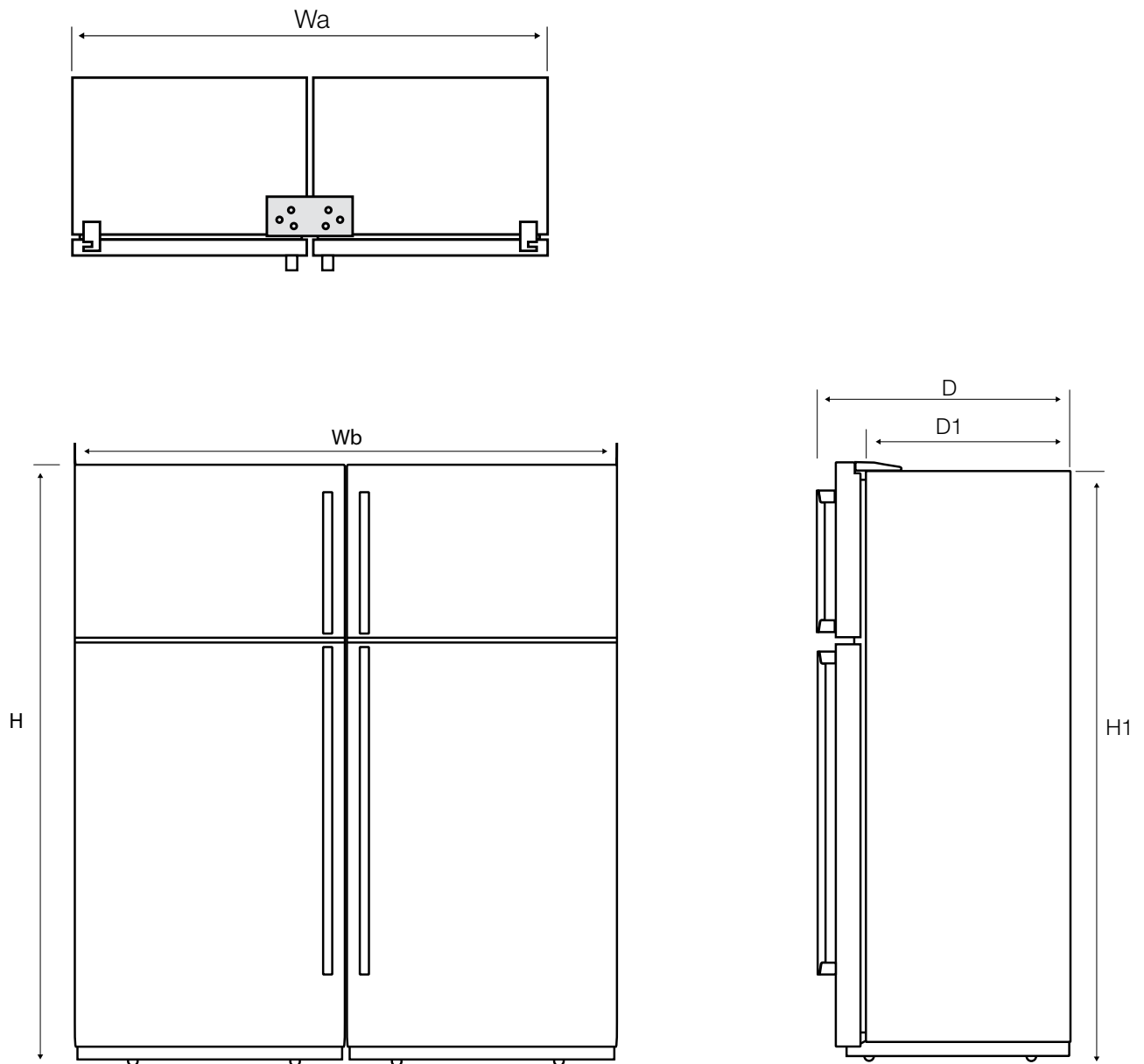


If you do not have a cupboard with a rear gap, the recommended clearance area on top increases from 50mm to 90mm (x) and from 32mm to 72mm (y).



Please note: Doors are designed to sit proud of cabinetry (not flush).

JOINED DIMENSIONS



Joined cabinet dimensions:

individual cabinet widths (W1)		cabinet height (H1)	max door height (H)	joined cabinet width (W _a)	joined door width (W _b)	max total depth (D)	max cabinet depth (D1)
model 1	model 2						
693	693	1705	1725	1407	1419	773	641
693	790	1705	1725	1504	1516	773	641
790	790	1705	1725	1601	1613	773	641

All measurements are in millimetres.

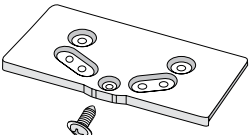
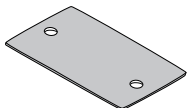

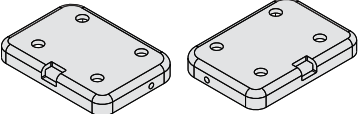
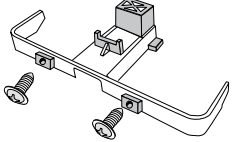
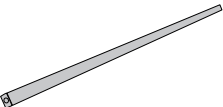
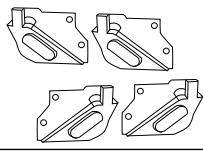
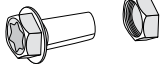
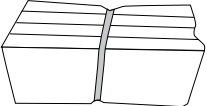
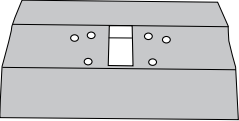
BEFORE YOU BEGIN

- Thoroughly inspect cabinets for any signs of damage before commencing installation.
- If any damage is identified please contact Electrolux Service.
- Check refrigerator recess dimensions and ensure that they provide at least the minimum clearance at the back, side and top as recommended on page 2.
- The floor where the refrigerator is to be placed must be level, otherwise you will not be able to install your refrigerator properly.
- Ensure that the floor and surrounding cupboards are adequately protected from damage during unpacking and throughout the installation process.
- Ensure that two adequate and accessible powerpoints are installed inside the refrigerator recess before installing and connecting your appliances. These powerpoints should also be readily accessible after fridge installation is completed.
- Do not use extension leads or power board or double adapter under any circumstances as it may lead to electric shock and / or fire. Seek assistance of a licensed electrician if required.
- Unpack the connection kit and check for completeness by referring to the “Connection kit package contents” section.

NOTE:

Due to size and weight of the cabinets as well as complexity of the task ensure that installation is attempted with at least two able-bodied persons. You are strongly urged to consider hiring Electrolux Service to do the installation.

CONNECTION KIT PACKAGE CONTENTS

Item		description	qty	ANC
1		Top-front bracket	1	A03972801
2		Self tapping screw	1	1460583
3		Bottom rear bracket	1	A03979601
4		Replacement screw ST4.2x 6mm for the bottom rear bracket	2	A04064601
5		Replacement foot base with M4 threaded holes	2	A02102702
6		Bottom front bracket assembly	1	A03973401
10		Centre cover	1	A03973701
11		Foot Assembly Left	2	A02816701
		Foot Assembly Right	2	A02816702
12		Mounting M5x12 bolts	8	A04064701
		M5 nuts set	8	A04797101
13		Protective foam pads with peelable adhesive tape	4	A04064701 A04797101
14		Protective cardboard	1	A04064701 A04797101

INSTALLATION

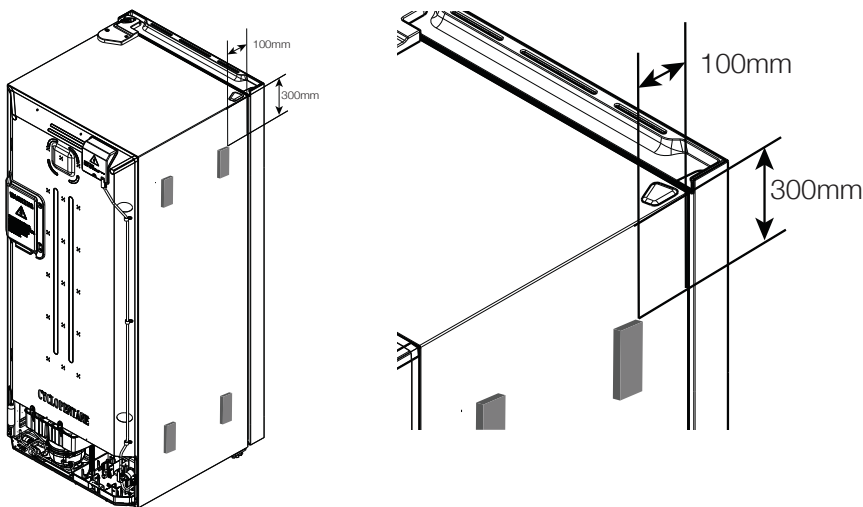
1.1- Required Tools

- 3mm Allen key
- Phillips head screwdriver
- 7mm socket wrench screwdriver

1.2 - Preliminary Operations

1.2.1 - General Preparation

- Before starting to bring the appliances together, in order to protect the sides from possible damage during the installation process, attach the four disposable protective foam pads at the facing side corners of one of the appliances (foam should be applied to the handle side of the cabinet as shown with approximately 100mm from the front or back and 300mm from the top or bottom).

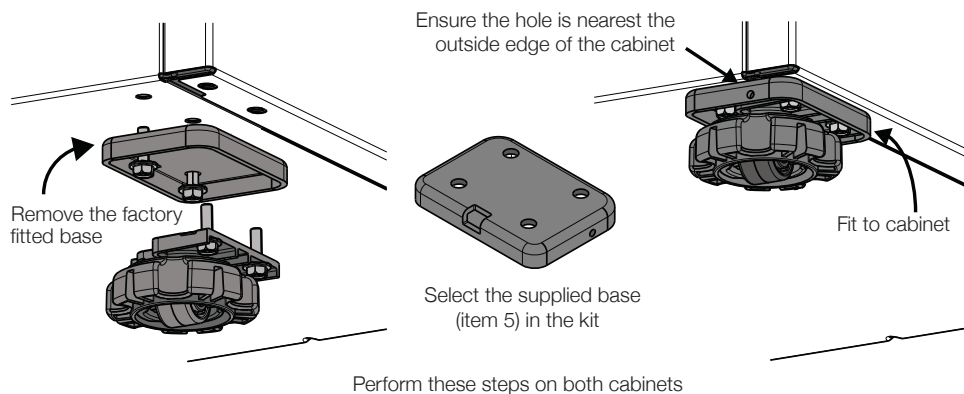


- Pull the appliances together
- Adjust the front feet of the appliances to the same height and alignment

Step 1 .2.2 - Replace Foot Bases

Note: 2 people may be required for this operation

- Remove the two front feet that will meet in the middle then remove the factory fitted base, discard and replace with the foot base part (item 5) supplied in the kit ensuring that the M4 threaded hole is facing the front and is nearest the outside edge of the cabinet.



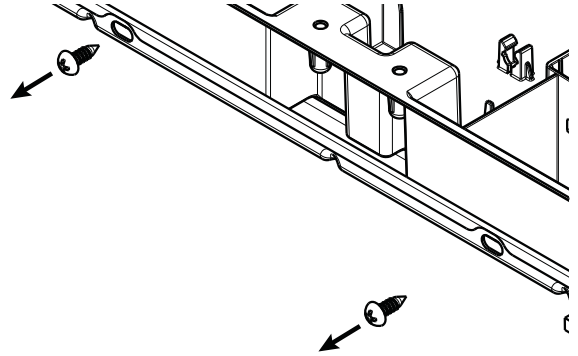
INSTALLATION (CONTINUED)

1.2.3 - Fitting rear levelling feet

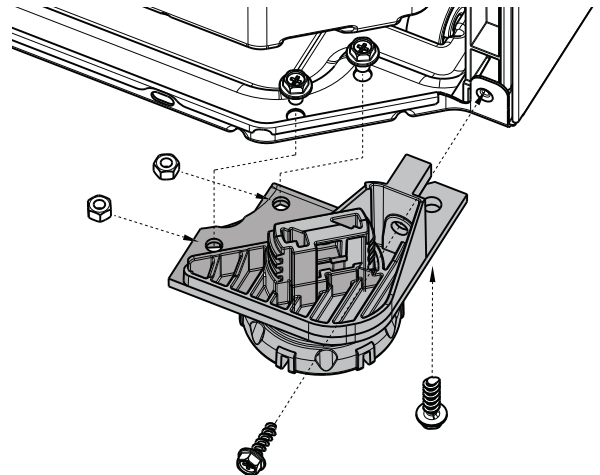
Note: 2 people may be required for this operation

A set of adjustable back feet is provided with the kit. These parts are usually needed only in the case of a particularly uneven floor and when height adjustments in phase 1.2.1 proved unsuccessful.

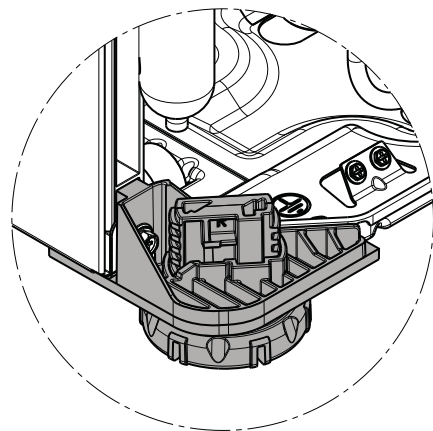
- Temporarily remove the screws holding the evaporator tray.
- Temporarily remove the 2 cabinet screws that will hold the foot.



- Pre-assemble the two nuts on the foot.
- While one operator is lifting the appliance the other can assemble the foot.



- Assemble right foot using the two cabinet screws that have previously been removed and the two bolts that come with the foot.
- Repeat the process for the other side.

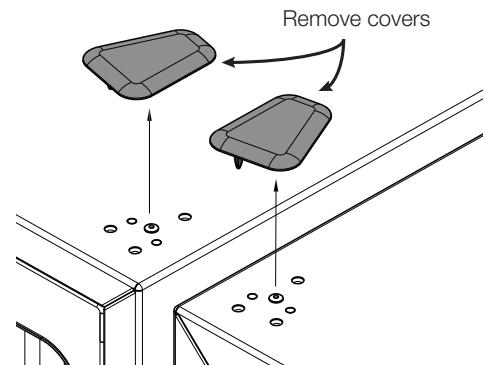


INSTALLATION (CONTINUED)

1.3 - Joining the Appliances

Your appliances are delivered with hole covers that cover the screw holes. These holes are located on the top of the cabinet, opposite from the door hinge. Carefully remove these covers, care must be taken to avoid damaging the appliances.

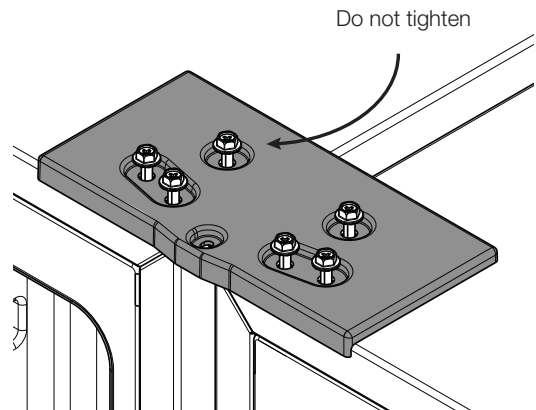
Carefully pull the appliances together adjacent to the final installation location, then adjust the front and rear feet to the same height.



1.3.1 - Top-front and bottom-rear bracket installation

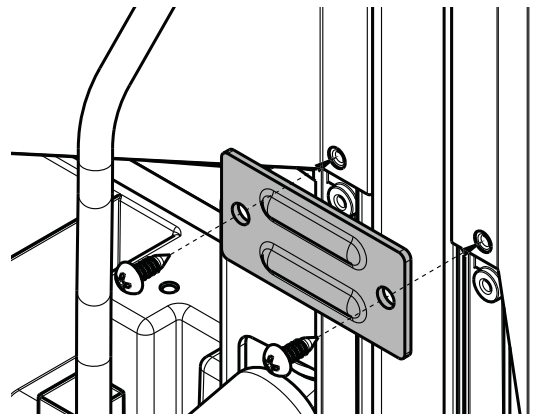
Install the top-front bracket

- Place the protective cardboard between the bracket and the cabinets.
- Assemble the top-front bracket, fit the screws in place, but do not tighten them yet leave the screws loose.



Install the rear-bottom bracket

- Unscrew the 2 central-upper compressor cover fasteners.
- Remove 2 screws.
- Assemble the rear-bottom bracket using the replacement screws provided.



INSTALLATION (CONTINUED)

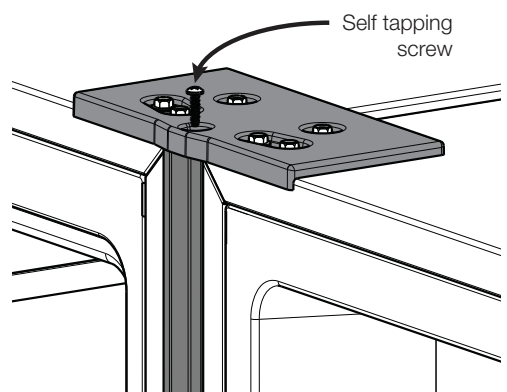
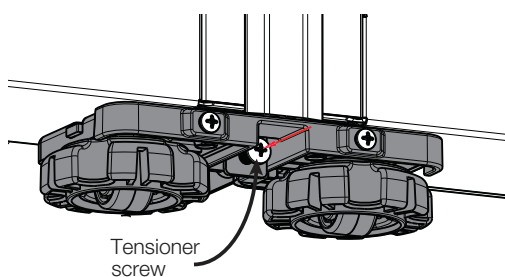
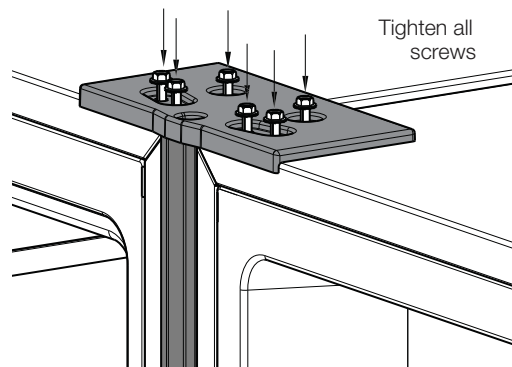
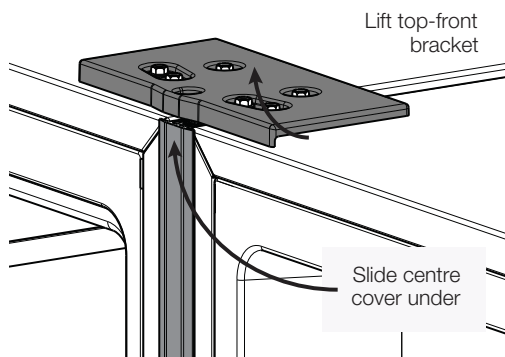
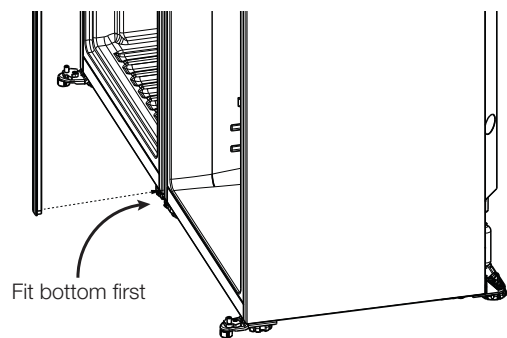
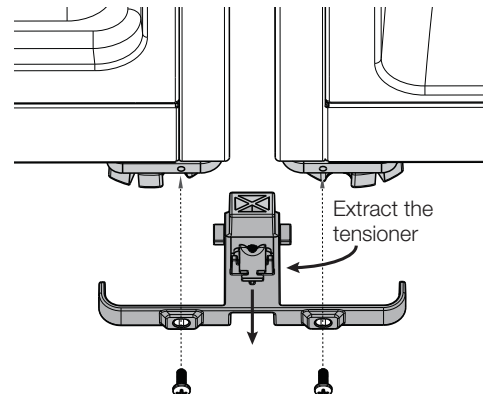
1.4 - Bottom-front bracket installation

1.4.1 - Position the bottom-front bracket

- Position the bottom-front bracket between the two cabinets.
- Fasten with the two M4 screws using a phillips head screwdriver.
- Extract the tensioner.

1.5 - Fit the centre cover

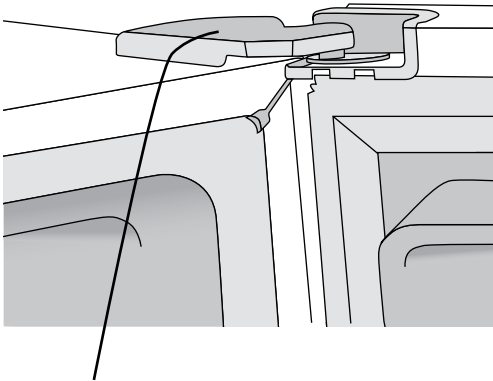
- Push the centre cover between the two cabinets
- Engage the bottom end of the centre cover into the tensioner of the bottom-front bracket.
- Lift the top-front bracket (screws should be loose enough) and slide the centre cover underneath.
- Tighten the screws in the top-front bracket.
- Adjust the tensioner screw as required.
- Fasten the centre cover to the top-front bracket by means of the the provided self-tapping screw.



ADJUSTING DOOR ALIGNMENT

To complete installation of your joined appliances it may be necessary to slightly adjust door alignment on the individual appliance. This process is illustrated in the following section.

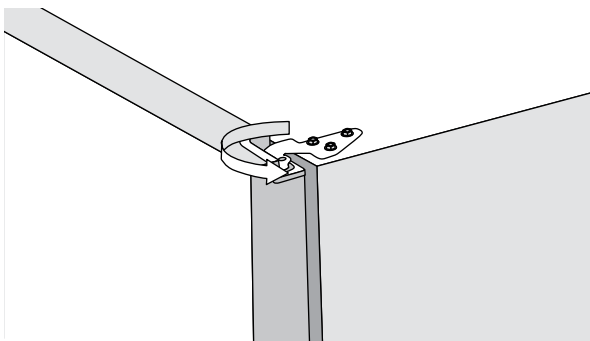
1. With the door open, remove the hinge cover by simultaneously pulling the cover away and up from the hinge. This action will release the clip that is retaining the cover to the hinge.



Small plastic clip is located here. With the door open, pull the cover outward while simultaneously pulling up in order to release the hinge cover.

2. Slightly loosen the three screws retaining the hinge to the cabinet. This will allow for slight movement of the cabinet door.

Have the assistant hold the door in desired position and fully secure top hinge fasteners, inspect the alignment and if satisfied clip the hinge cover back onto the top hinge.



Loosening the top hinge fasteners will allow the top hinge to be slightly rotated thus adjusting the gap between doors.

Electrolux Home Products Australia

telephone: 1300 363 640
fax: 1800 350 067
email: customercare@electrolux.com.au
web: electrolux.com.au

electrolux.com.au/shop



Electrolux Home Products New Zealand

telephone: 0800 436 245
fax: 0800 225 088
email: customercare@electrolux.co.nz
web: electrolux.co.nz



To add a touch of professional inspiration to your home, visit electrolux.com.au or electrolux.co.nz

P/No. A04767001

© 2016 Electrolux Home Products Pty Ltd

Print code: EFRI_CONN_KIT_Jul16
Issue date: Jul16

Free Manuals Download Website

<http://myh66.com>

<http://usermanuals.us>

<http://www.somanuals.com>

<http://www.4manuals.cc>

<http://www.manual-lib.com>

<http://www.404manual.com>

<http://www.luxmanual.com>

<http://aubethermostatmanual.com>

Golf course search by state

<http://golfingnear.com>

Email search by domain

<http://emailbydomain.com>

Auto manuals search

<http://auto.somanuals.com>

TV manuals search

<http://tv.somanuals.com>