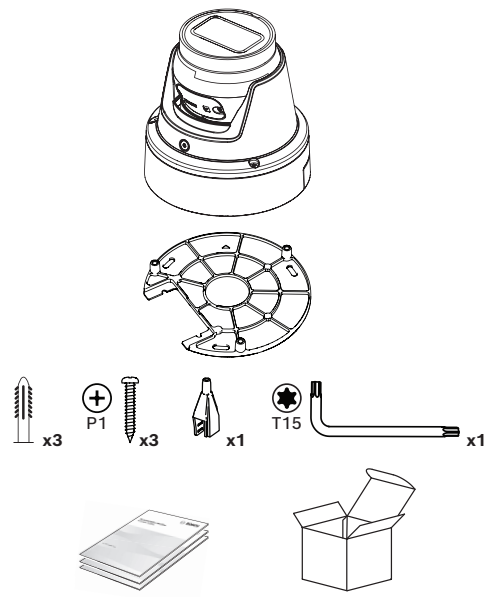
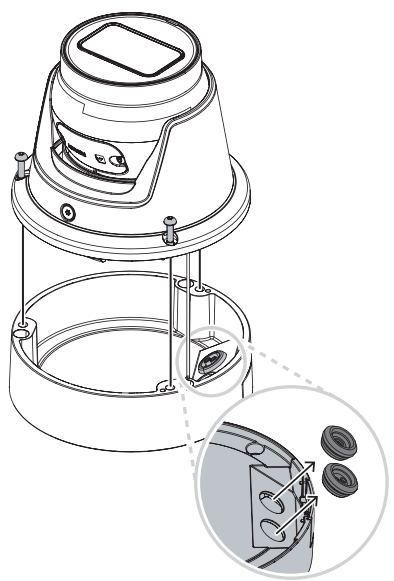


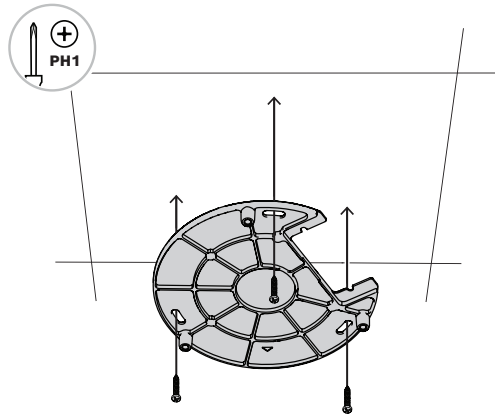
1 |



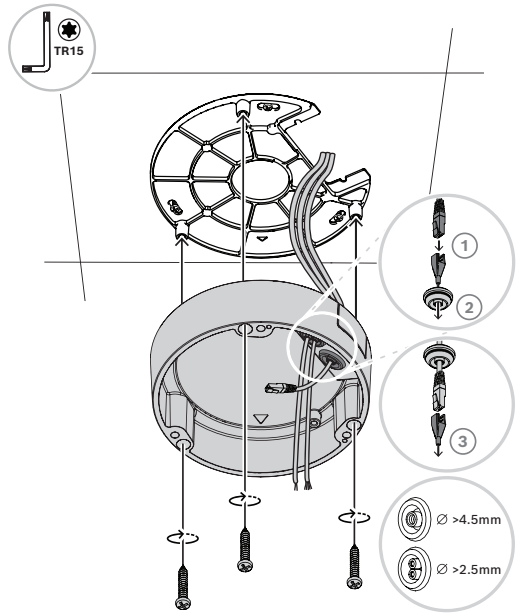
2 |



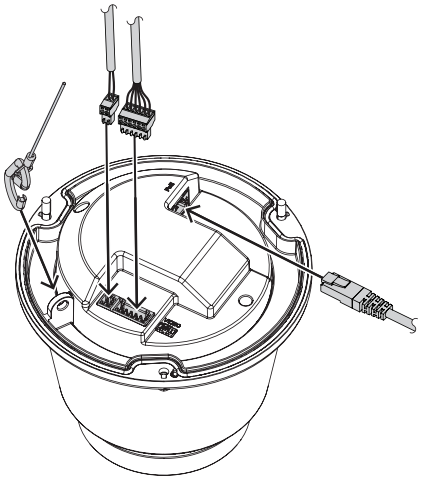
3 |



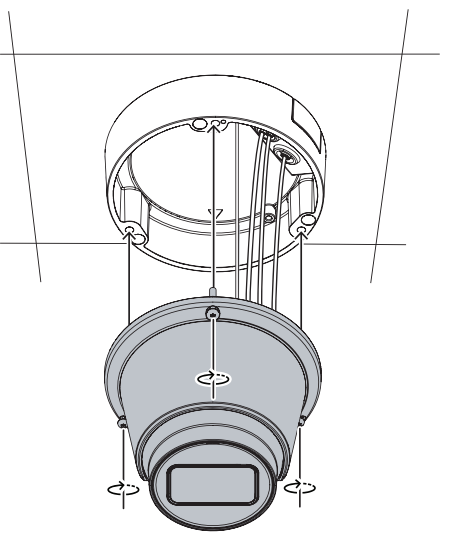
4 |



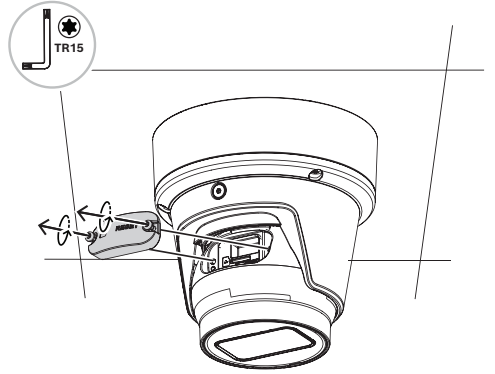
5 |



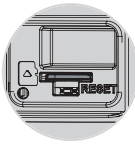
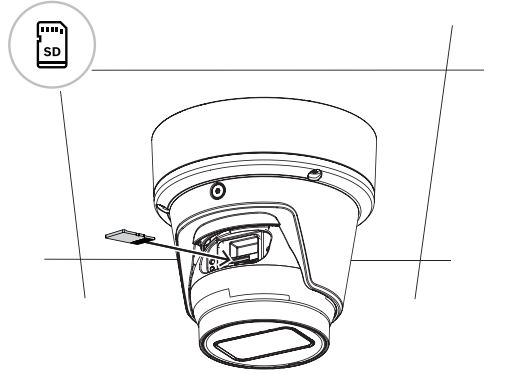
6 |

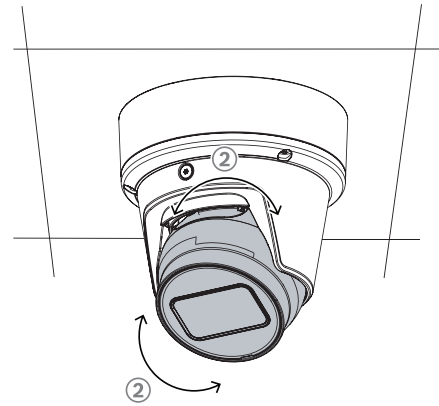
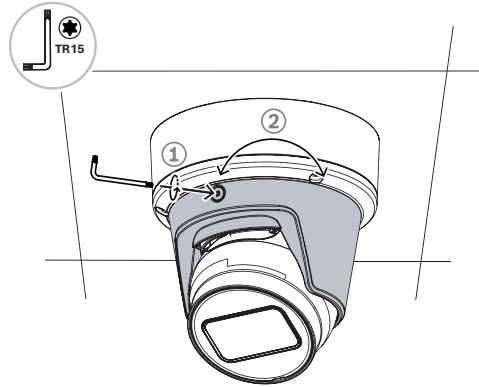
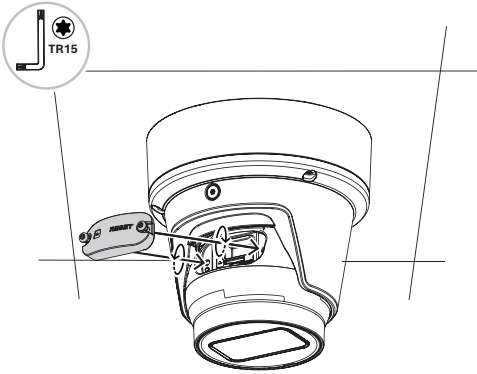


7 |

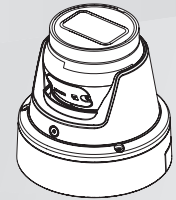


8 |

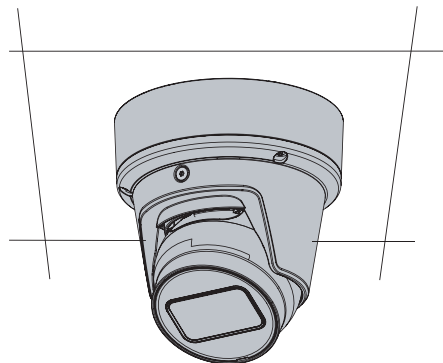
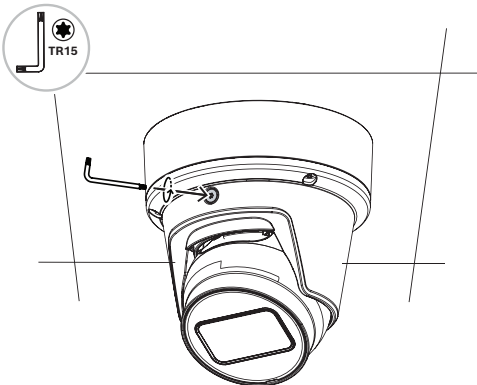




**FLEXIDOME IP turret 3000i IR - outdoor**  
 NTE-3502-F02L | NTE-3502-F03L |  
 NTE-3503-F02L | NTE-3503-F03L



en Quick installation guide



**Bosch Security Systems B.V.**  
 Torenallee 49  
 5617 BA Eindhoven  
 The Netherlands  
[www.boschsecurity.com](http://www.boschsecurity.com)  
 © Bosch Security Systems B.V., 2020

## Free Manuals Download Website

<http://myh66.com>

<http://usermanuals.us>

<http://www.somanuals.com>

<http://www.4manuals.cc>

<http://www.manual-lib.com>

<http://www.404manual.com>

<http://www.luxmanual.com>

<http://aubethermostatmanual.com>

Golf course search by state

<http://golfingnear.com>

Email search by domain

<http://emailbydomain.com>

Auto manuals search

<http://auto.somanuals.com>

TV manuals search

<http://tv.somanuals.com>