



OWNER'S MANUAL

BBQ055.04



RESIDENTIAL PELLET GRILL-SMOKER

FOR OUTDOOR USE ONLY!

WARNING!

**DO NOT STORE OR USE COMBUSTABLE MATERIALS
NEAR THIS APPLIANCE!**

**USE ONLY TRAEGER BRAND HARDWOOD
BBQ PELLETS IN THE OPERATION OF THIS UNIT.**

“TASTE THE DIFFERENCE”

INTRODUCTION

Congratulations on your purchase of this Traeger Wood Pellet Grill, Model BBQ055.04. With proper set-up, operation and maintenance, the Grill will provide you with delicious food and years of cooking enjoyment.

NOTE: NUMBERS FOLLOWING PART NAMES THROUGHOUT THIS MANUAL REFER TO THE COMPONENT DIAGRAM.

When you un-box the Grill, make sure you have, and can identify all of the following parts:

- (1) Bag of Nuts, Washers, and Bolts. These are for mounting the Legs (115, 119, 123, 127), Wheels (136) and Handles (137) to the Grill (3).
- (1) Main Body (3)
- (4) Legs (115, 119, 123, 127) and Axle Rod (131)
- (1) Pellet Hopper/Burner (37)
- (1) Porcelain Grill (170) Remove for assembly
- (1) Heat Baffle (155). Remove from grill for assembly
- (1) Grease Drain Pan (163). Remove from grill for assembly
- (1) Grease Bucket (135)
- (1) Dome Thermometer (31)
- (2) Wheels (136)

You will need to complete the assembly which includes:

- 1) Mounting the Legs (115, 119, 123, 127) onto the Grill Body (3)
- 2) Mounting the Axle Rod (131) and Wheels (136) to the Wheel Legs (123, 127)
- 3) Mounting the Pellet Hopper (37) onto the Grill Body (3)
- 4) Mounting Handles (137) to Door (25) and to right end of Grill (3). **Do not over tighten.** Damage to the handles could result.
- 5) Positioning the Heat Baffle (155) over the Firepot (65), and setting the Grease Drain Pan (163) in place.
- 6) Hanging the Grease Bucket (135) on the Bucket Hook located below the Grease Drain Tube opening on the right side of the Grill (3).

Follow these step by step instructions and you'll be cooking in no time!

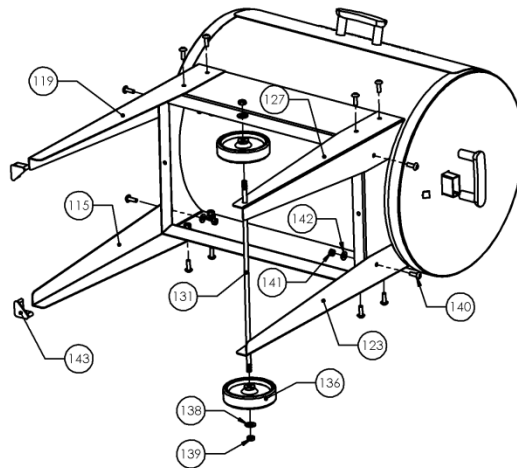
TOOLS SUPPLIED FOR ASSEMBLY

3/8" / 1/2" combo wrench
7/16" / 1/2" combo wrench
Phillips screwdriver

SECTION ONE: ASSEMBLY INSTRUCTIONS

MOUNTING LEGS AND WHEELS:

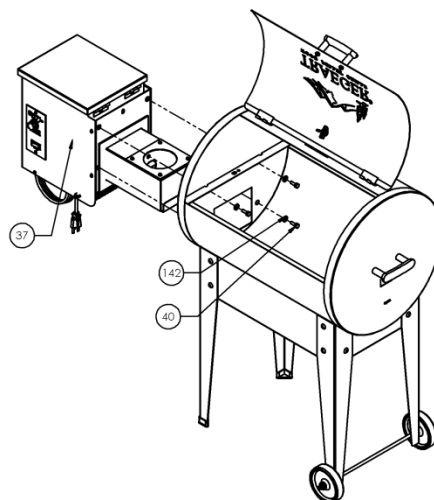
1. Insert Left Front Leg (119) onto Grill Frame Assembly (3) so the holes align and insert 3 each 1/4-20 x .750 screws (140). Then from the inside of the skirt secure using 3 each Washers (142) and nuts (141) do not tighten the nuts until the grill is upright.
2. Repeat the process for the Right Front Leg (119), Right rear leg (123), and right front leg (127).
3. Insert Axle rod (131) into holes provided on both right legs (123, 127). Insert Wheel (136) onto Axle (131) then insert Washer (138) and Nut (139) onto Axle and tighten. Repeat the process on the other side of the Axle (131).
4. Stand the grill up on its legs and then tighten the leg bolts. **Do not over tighten the Screws.**



MOUNTING PELLET HOPPER/BURNER:

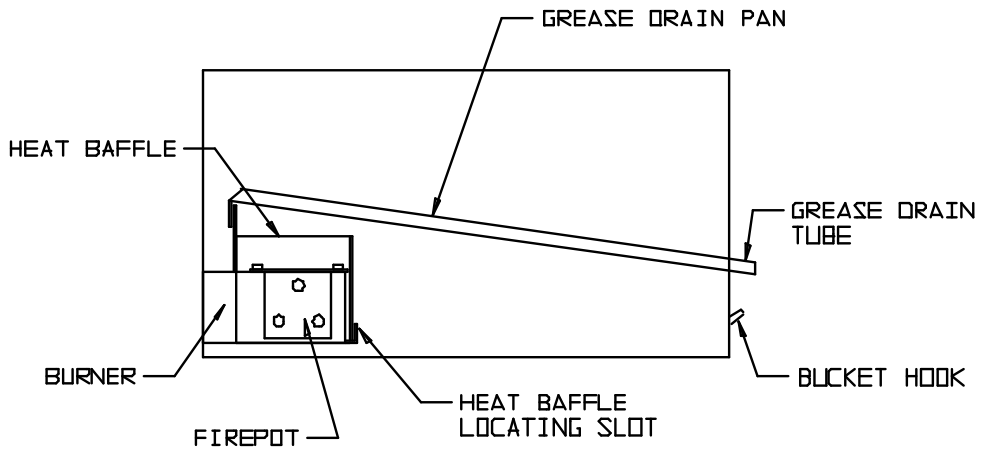
NOTE: DO NOT remove the white, square Burner Gasket (86) from the Hopper/Burner (37).

- (1) Remove the four hex bolts and washer from the hopper assembly. These will be used to mount the hopper to the grill body.
- (2) Slide the Hopper/Burner (37) square tube into the square opening located on the left side of the Grill Body (3). Gently push the Hopper/Burner (37) into the Grill Body (3) until the Hopper/Burner (37) is snug against the end of the Grill Body (3).
- (3) Align the bolt holes in the Grill Body (3) with the Nutserts in the Hopper/Burner (37).
- (4) Install a Flat Washer (142) on each of the four Hex Head Bolts (40). From the inside of the Grill Body (3) install these Bolts with Washers into the Hopper/Burner (37) Nutserts. Tighten all four Bolts – **DO NOT OVER TIGHTEN THE BOLTS.**



POSITIONING HEAT BAFFLE AND GREASE DRAIN PAN

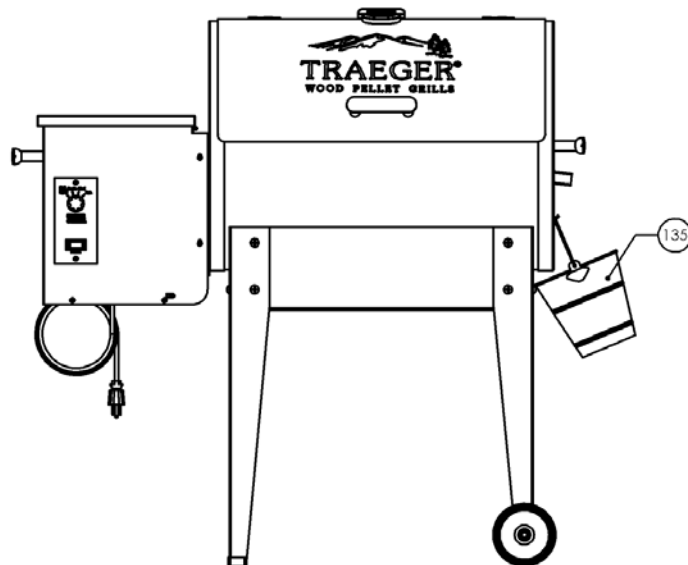
Become familiar with how each component fits inside the Grill.



RECOMMENDATION for ease of clean-up: Line the Grease Drain Pan (163) with heavy-duty aluminum foil. Be sure the edges and ends of the foil are tight against the bottom of the Grease Drain Pan (163).

HANGING GREASE BUCKET

The Grease Bucket (135) hangs on the Bucket Hook located below the Grease Drain Tube opening on the right side of the Grill Body (3).



SECTION TWO: INITIAL FIRING INSTRUCTIONS

(To be used on initial firing or anytime the Grill runs out of Pellets)

In order to ensure proper operation of the Grill, you must first

Allow the Auger Tube to be “charged” with Pellets.

- 1) Open the Door and remove the Porcelain Grill, Grease Drain Pan and Heat Baffle from inside the Grill.
- 2) Make sure the Switch is in the OFF position. Plug the Power Cord into an appropriate, grounded electrical outlet.
- 3) Open the Pellet Hopper Lid and locate the Auger. Make sure there are no foreign objects in the Auger. Turn the Switch to the ON position and the Temperature/Dial to Smoke and look into the Pellet Hopper to confirm the Auger is turning. At the same time, place your fingers over the Firepot and feel the air movement from the Draft Inducer Fan. Look to see if the Hot Rod is getting hot. **DO NOT TOUCH IT!** Turn the Temperature/Dial to Shut Down Cycle.
- 4) Fill the Pellet Hopper with TRAEGER BBQ PELLETS. **WARNING! USE ONLY TRAEGER BRAND BBQ PELLETS, which are specifically made to work in our Grills. NEVER use heating fuel pellets in the Grill.** Turn the Temperature Dial to HIGH. Note: During the initial charging of the Auger, it will take time for the Pellets to travel from the Pellet Hopper to the Firepot. When the Pellets begin to fall into the Firepot, turn the Temperature/Dial to Shut Down Cycle.
- 5) Turn the Temperature/Dial to SMOKE. Let the Pellets come to full flame. Once you see flames come out of the Firepot, turn the Temperature/Dial to Shut Down Cycle, and let the Grill cool down.

RECOMMENDATION for ease of clean-up: Line the Grease Drain Pan with heavy-duty aluminum foil. Be sure the edges and ends of the foil are tight against the bottom of the Grease Drain Pan. Position the Heat Baffle, the foil lined Grease Drain Pan and Porcelain Grill in their proper locations.

- 6) With the Door open, turn the Temperature/Dial to SMOKE. In approximately 2 minutes you will notice whitish-gray smoke coming out of the Grill as the Pellets ignite. After assuring the Pellets have ignited, close the Door and set the Temperature Dial to any cooking setting desired.
- 7) **Note: Before cooking the first batch of food in your new Grill, you will need to season the Grill. Turn the Temperature/Dial to HIGH and run for 45 minutes at this setting with the Door closed. This must be done before cooking any food on the Grill.**
- 8) The Grill should be allowed to pre-heat for approximately 10 minutes with the Door closed before placing food in the Grill.

ALWAYS START THE GRILL ON SMOKE SETTING WITH THE DOOR OPEN

Once the Pellets are ignited, close the Door and set the Temperature Dial to any cooking temperature desired.

NOTE: When operating this grill, maintain a minimum clearance of 12 inches from grill to combustibles.

SECTION THREE: SUBSEQUENT START-UP

With the Door open, turn the Switch ON (--) and the Temperature/Dial to SMOKE. In approximately 2 minutes you will notice whitish-gray smoke coming out of the Grill as the Pellets ignite. After assuring the Pellets have ignited, close the Door and set the Temperature/Dial to any cooking setting desired. The Grill should be allowed to pre-heat for approximately 10 minutes with the Door closed before placing food in the Grill.

WARNING! If at any time, the Grill fails to light or the fire in the Firepot goes out while cooking or smoking, when sufficient pellets are still in the Pellet Hopper, it is important to follow these steps. Failure to do so may cause a hazardous “over-firing” of your grill due to an excess of unburned pellets in the Firepot.

- 1) **DANGER!** Turn the Switch OFF (o) and disconnect the Power Cord. If the Grill is still hot, allow it to thoroughly cool. Open the Door and remove all food, the Porcelain Grills, Grease Drain Pan and the Heat Baffle.
- 2) **WARNING!** Remove all unburned pellets and ash from inside and around the Firepot. **(See instructions for proper handling and disposal of ash in Section Five)**
- 3) Before replacing the Heat Baffle, Grease Drain Pan and the Porcelain Grills, plug the power Cord into an appropriate, grounded electrical outlet and restart the Grill. Pellets should fall into the Firepot and the Hot Rod should begin to heat (it will start to turn red). **CAUTION! Do not touch it.**
- 4) If this procedure **is** successful, you will soon see flames come out of the Firepot. Then turn the Switch OFF (o), and let the Grill cool down. Position the Heat Baffle, the Grease Drain Pan and Porcelain Grill in their proper locations. With the Door open, turn the Switch ON (--) and the Temperature/Dial to SMOKE. In approximately 2 minutes you will notice whitish-gray smoke coming out of the Grill as the Pellets ignite. After assuring the Pellets have ignited, close the Door and set the temperature/Dial to any cooking setting desired.
- 5) If this procedure **is not** successful, see **Section Six: FREQUENTLY ASKED QUESTIONS** for troubleshooting tips or contact Traeger Technical Support (**Section Seven**) to help diagnose the problem **before** proceeding to the **MANUAL LIGHTING INSTRUCTIONS** below.

MANUAL LIGHTING INSTRUCTIONS:

If the **Hot Rod** only is not operating, the Grill can still be used to cook and smoke using the **MANUAL LIGHTING PROCEDURE** below:

- 1) **DANGER!** Turn the Switch OFF (o) and disconnect the Power Cord. Allow the Grill to thoroughly cool if it is still hot. From beneath the Pellet Hopper, disconnect the Hot Rod (Purple / White wire pair as shown in the wiring diagram near the end of this manual). You will need to remove the Hopper Bottom Panel to access the wiring. Once the Hot Rod is disconnected, replace the Hopper Bottom Panel and plug the Power Cord back into an appropriate, grounded electrical outlet.

2) Open the Pellet Hopper and fill with TRAEGER BBQ PELLETS.

WARNING! USE ONLY TRAEGER BRAND BBQ WOOD PELLETS, which are specifically made to work in our Grills. NEVER use heating fuel pellets in the Grill due to potential hazardous contaminants and additives that may be present.

3) Remove the Porcelain Grills, Grease Drain Pan and Heat Baffle to expose the Firepot In the bottom of the Grill.

4) Pour 1/2 cup of TRAEGER BBQ PELLETS into the Firepot.

5) Squirt 2 tablespoons of Alcohol Gel fire lighter into the Firepot on top of the Pellets.

DANGER! Never use gasoline, gasoline-type lantern fuel, kerosene, charcoal lighter fluid or similar liquids to start or “freshen up” a fire in this Grill. Keep all such liquids well away from the Grill when in use.

6) Carefully light the Alcohol Gel with fireplace match or long-reach butane lighter.

DANGER! Never squirt Alcohol Gel into a burning fire or a hot Firepot. The Alcohol Gel bottle could explode and cause a fire, serious injury or death.

7) Let the Alcohol Gel and Pellets burn for approximately 4 minutes.

8) After assuring the Pellets have ignited, install the Heat Baffle, Grease Drain Pan and Porcelain Grills back in place.

CAUTION! You will now have a fire in the Firepot. **Be careful not to burn yourself** when you install these components. Gloves are recommended.

9) Turn the Switch ON (--) and the Temperature/Dial to any setting desired. With the Door closed, let the Grill pre-heat for approximately 10 minutes before placing food in the Grill.

Control Shutdown cycle

The control for this barbecue comes with an automatic shut down cycle. When finished cooking on your barbecue set the Temperature/Dial Knob to the Shutdown Cycle position, this will leave the Draft Induction Fan running for ten minutes to burn any excess pellets in the fire pot. After the fan runs for ten minutes the controller will power off and the fan and it will stop running. **CAUTION!** The main power switch will shut the power off to the controller and the Temperature/Dial Knob switch will cut off power to the grill components only. When servicing the controller or any parts ensure that the power supply is disconnected to avoid a shock hazard.

SECTION FOUR: OPERATING TIPS

- 1) The Temperature/Dial can be changed at any time to increase or decrease the cooking temperature of the Grill. The HIGH/HIGHER Temperature settings are for Grilling. The MED/MID RANGE Temperature settings are for Slow Cooking. The SMOKE setting is for Smoking and adding Smoke Flavor to foods being cooked. The SMOKE setting can also be used to “hold” foods at approximately 180 to 200 degrees F.
- 2) Your TRAEGER PELLETT GRILL should never be moved while it is hot. If you are transporting your Grill in a vehicle after cooking on it, make sure the fire is completely out and the Grill is COLD before placing it in any vehicle. NEVER put water into the Firepot. It will jam the Auger.
- 3) The TRAEGER PELLETT GRILL is designed to operate with the Door CLOSED. Cooking with the Door open greatly lengthens your cooking time.
- 4) NEVER add Pellets by hand to a hot Firepot. This is dangerous and you may be seriously burned. If you run out of Pellets and lose your fire while cooking, let the Grill completely cool and start again with the **INITIAL FIRING INSTRUCTIONS**.
- 5) Make sure the Heat Baffle is properly seated on its locating brackets. The long lips of the Heat Baffle should be pointing down over the Firepot. If not seated properly, direct heat and flame could come up out of the Firepot and cause a grease fire in the Grill.
- 6) When estimating cooking times, the outside temperature will be an important factor. If it is hot outside, it will take less time for food to cook. If it is cold, wet or windy, it will take longer.
- 7) Grease fires are caused by not properly maintaining the Grill by failing to clean your Grease Drain Pan, V-shaped Grease Drain and Grease Drain Tube on a consistent basis. In the unlikely event of a grease fire while cooking, **TURN THE SWITCH/DIAL OFF and KEEP THE DOOR CLOSED** until the fire is completely out. Never keep the Door open during a grease fire. If it does not go out, lightly sprinkle baking soda on the fire. **Be careful not to burn yourself**. If this does not work then carefully remove the food from the Grill and keep the Door closed until the fire is completely out. **Again, be careful not to burn yourself**. When the Grill is completely cool, remove the Porcelain Grill and replace the foil on the Grease Drain Pan. Clean any grease accumulation from the V-shaped Grease Drain and the Grease Drain Tube. Replace the Grease Drain Pan and the Porcelain Grill in their proper positions, restart the Grill and resume cooking.

SECTION FIVE: MAINTAINING YOUR NEW GRILL

- 1) Change the aluminum foil on the Grease Drain Pan frequently. Periodically, clean the grease out of the V-shaped Grease Drain and Grease Drain Tube and off of the interior surfaces of the Grill. Empty the Grease Bucket occasionally and line with aluminum foil for easy clean-up. It is easier to clean off accumulated grease when the Grill is warm. **BE CAREFUL NOT TO BURN YOURSELF.** If too much grease is allowed to build up on the Grease Drain Pan and in the V-shaped Grease Drain, or is allowed to plug the Grease Drain Tube, a grease fire could result. We recommend cleaning these locations regularly.
- 2) Outside surfaces: DO NOT use oven cleaner, abrasive cleansers or abrasive cleaning pads on the outside Grill surfaces. Use warm soapy water to cut the grease.
- 3) If the Grill is stored outside during the rainy season, care should be taken to ensure that water does not get into the Pellet Hopper. Wood pellets, when wet, expand greatly and will jam you Auger. **A TRAEGER GRILL COVER to protect the Grill is highly recommended! Covers are available from your local Traeger Dealer, or log on to our Web Site – www.traegergrills.com.**
- 4) Depending on use, periodically remove the Porcelain Grill, Grease Drain Pan and Heat Baffle to clean the ash from in and around the Firepot. A shop-vac is handy for this chore. Make sure the Grill is COLD before starting this procedure.
- 5) We recommend keeping a long-handled cleaning brush near the Grill. After removing your food, give the Porcelain Grill a quick brushing. It takes only a minute and it will be ready the next time you want to use the Grill. **Be careful not to burn yourself.**

DISPOSAL OF ASHES:

WARNING! Ashes should be placed in a metal container with a tight-fitting lid. The closed container of ashes should be placed on a non-combustible floor or on the ground, well away from all combustible materials, pending final disposal. When the ashes are disposed of by burial in soil or otherwise locally dispersed, they should be retained in the closed container until all cinders have thoroughly cooled.

SECTION SIX: FREQUENTLY ASKED QUESTIONS

WHY WON'T MY GRILL IGNITE?

- 1) Verify power at the electrical outlet.
 - a) If Power Cord is connected to a GFI (Ground Fault Interrupter), check and reset if necessary.
 - b) Initiate startup.
Still no ignition – Proceed to step 2.
- 2) Disconnect Power Cord from electrical outlet.
 - a) Remove the Control and check the fuse on back. Replace the fuse if blown. **Reinstall the Control!**
 - b) Unplug Hot Rod connector (Purple/White wire pair), plug Power Cord into an appropriate, grounded electrical outlet and turn the Switch ON. **NOTE: At this point the Grill will not ignite.**
 - c) Check the Draft Inducer Fan and the Auger Drive Motor for operation. If both are operating -- the Hot Rod needs to be replaced. If one or both are not operating, contact Traeger Technical Support (**SECTION SEVEN**) for additional troubleshooting help. Contact your Traeger Dealer or the Traeger Parts Department (**SECTION SEVEN**) to place an order.
- 3) If the problem is identified to be a failed Hot Rod, the Grill can still be used to cook and smoke by following the **MANUAL LIGHTING INSTRUCTIONS** in **SECTION THREE** of this OWNER'S MANUAL.

WHY ARE NO PELLETS BEING DELIVERED INTO THE FIREPOT?

- 1) Verify that there are Pellets in the Pellet Hopper. If this is the **INITIAL FIRING** or the Grill has run out of Pellets, allow sufficient time for the Pellets to travel from the Pellet Hopper to the Firepot (can take up to 4 minutes).
- 2) Initiate startup. See **INITIAL FIRING INSTRUCTIONS** in **SECTION TWO** of this OWNER'S MANUAL.
Still no Pellets in the Firepot – Proceed to step 3.
- 3) Disconnect Power Cord from electrical outlet.
 - a) Unplug the Auger Drive Motor (Red/White wire pair connector) and the Draft Induction Fan (Orange/White wire pair connector).
 - b) Reconnect the Draft Induction Fan to the Red/White wire pair and the Auger Drive Motor to the Orange/White pair.
 - c) Plug Power Cord into an appropriate, grounded electrical outlet and turn the Switch/Dial ON.
 - d) If the Auger Drive Motor **is** operating (check the small fan blade on the back of the motor), the problem is in the Three Speed or Digital Control, which will need to be replaced. Contact your Traeger Dealer or the Traeger Parts Department (**SECTION SEVEN**) to place an order.
- 4) If the Auger Drive Motor **is not** operating but the Draft Induction Fan **is** operating, the problem is in the Auger system, which will need to be checked.
 - a) With the Switch OFF, locate the small fan blade on the back of the Auger Drive Motor.
 - b) While watching the fan blade, turn the Switch to ON. If the fan blade **does not** turn, turn the Switch to OFF. This indicates a defective Auger Drive Motor and it will need to

be replaced. Contact your Traeger Dealer or the Traeger Parts Department (**SECTION SEVEN**) to place an order.

- c) If the fan blade turns a bit and then stops, continue watching and turn the Switch to OFF. If the fan blade UNWINDS slightly, this indicates a jam in the Auger system which will need to be cleared.
- d) Disconnect Power Cord from electrical outlet and remove Pellets from the Pellet Hopper. Check for foreign objects and wet/decomposed Pellets, both of which can cause a jam in the Auger system. The Auger will need to be removed to clear a jam in the Auger system. See "HOW DO I REMOVE THE AUGER IF IT JAMS?" section below.

HOW DO I REMOVE THE AUGER IF IT JAMS?

For models with a fixed Auger Drive Motor:

- 1) Remove any covers necessary to access the Auger Drive Motor.
- 2) Remove the screw connecting the Auger Drive Motor shaft to the Auger shaft, using a 7/64 hex wrench and a 5/16 wrench or driver.
- 3) Remove two bolts mounting the Auger Drive Motor/Bracket assembly to the Burner Box with a 7/16 wrench.
- 4) With a small pipe wrench or locking pliers on the Auger shaft, turn the Auger counter clockwise. It will turn hard until it breaks free, then the Auger will turn freely.
- 5) Remove the Auger and clean all Pellets, ash or foreign objects from the Auger, Auger Tube and Firepot. A shop-vac is ideal for this task.
- 6) Sand the outside surfaces of the auger with medium grit sandpaper. Check the inside of the Auger Tube and sand it if needed. Then vacuum out the sanding grit from the Auger Tube and Firepot when finished.
- 7) Reinstall the Auger into the Auger Tube, making sure that it rotates freely.
- 8) Re-attach the Auger Drive Motor/Bracket assembly, ensuring that the Auger shaft rotates freely on the Auger Drive Motor Shaft. Re-attach the Auger shaft to the Auger Drive Motor shaft.

For models with a floating Auger Drive Motor:

(Note: some units with the floating Auger Drive Motor will require metric tools.)

- 1) Remove any covers necessary to access the Auger Drive Motor.
- 2) Remove the screw connecting the Auger Drive Motor shaft to the Auger shaft and the screw retaining the Auger Bushing into the Auger Tube.
- 3) With a small pipe wrench or locking pliers on the Auger shaft, turn the Auger counter clockwise. It will turn hard until it breaks free, then the Auger will turn freely.
- 4) Remove the Auger and clean all Pellets, ash or foreign objects from the Auger, Auger Tube and Firepot. A shop-vac is ideal for this task.
- 5) Sand the outside surfaces of the auger with medium grit sandpaper. Check the inside of the Auger Tube and sand it if needed. Then vacuum out the sanding grit out of the Auger Tube and Firepot when finished.
- 6) Reinstall the Auger Bushing and the Auger into the Auger Tube, making sure that the Auger rotates freely.
- 7) Re-attach the Auger shaft to the Auger Drive Motor shaft.

WHY DOES MY GRILL FIRE GO OUT ON "SMOKE" SETTING?

Excess ash in the Firepot may be the problem.

- 1) Open the Door and remove the Porcelain Grill, Grease Drain Pan and Heat Baffle from inside the Grill.

- 2) **IMPORTANT: Remove all unburned Pellets and ash from inside and around the Firepot.** A shop-vac is ideal for this task **CAUTION! ASSURE THAT THE GRILL IS COLD TO AVOID A FIRE FROM HOT ASH.**
- 3) Replace the Heat Baffle, Grease Drain Pan and the Porcelain Grill and initiate start-up procedure.
- 4) If this didn't remedy the problem, contact Traeger Technical Support (**SECTION SEVEN**) for additional troubleshooting help.

THE AUGER MAKES A LOT OF NOISE WHEN I TURN THE GRILL ON AND I HAVE NOTICED A DROP IN THE GRILL TEMPERATURE. WHAT CAN I DO TO CORRECT THIS?

In Grill models with a fixed Auger Drive Motor, you will need to "TRUE" the Auger

- 1) Remove all Pellets from the Pellet Hopper and run Pellets out of the Auger Tube.
- 2) Remove the screw connecting the Auger Drive Motor shaft to the Auger shaft, using a 7/64 hex wrench and a 5/16 wrench or driver.
- 3) Spin the Auger shaft over the Auger Drive Motor shaft. It should rotate freely, without binding.
- 4) If the Auger shaft binds, loosen the two bolts mounting the Auger Drive Motor/Bracket assembly to the Burner Box with a 7/16 wrench.
- 5) Move the Auger Drive Motor/Bracket assembly until you can freely rotate the Auger shaft over the Auger Drive Motor shaft.
- 6) Re-tighten the 7/16 bolts making sure that the Auger End Piece Shaft still freely rotates over the Auger Drive Motor shaft.
- 7) Reinstall the screw and nut connecting the Auger Drive Motor shaft to the Auger shaft.

WITH THE TRAEGER DIGITAL CONTROL, WHAT DIAL SETTING IS RECOMMENDED FOR STARTING THE GRILL?

The auto-start procedure is the same for all Grill Controls. With the Door open turn the Switch ON and Temperature/Dial to SMOKE. In approximately 2 minutes you will notice whitish-gray smoke coming out of the Grill as the Pellets ignite. After assuring the Pellets have ignited, close the Door and set the Temperature/Dial to any cooking setting desired.

HOW DO I PROTECT MY PAINT FINISH?

- 1) Use a protective Cover on the Grill and touch-up paint to repair any scratches. **A TRAEGER GRILL COVER to protect the Grill is highly recommended! Covers and touch-up paint are available from your local Traeger Dealer, or log on to our Web Site – www.traegergrills.com.**
- 2) Every 90 days, use a high quality car wax on the outside surfaces of the Grill. **ONLY APPLY WAX TO A COLD GRILL.**

WHERE CAN I GET A NEW PART FOR MY GRILL?

Check with your Traeger Dealer. They may have the part in stock or can order the part for you. Or you can contact the Traeger Parts Department (**SECTION SEVEN**) to place an order. In either case, please provide your name, phone number, address, Model and Serial Number of the Grill (located on a label inside the Hopper Lid), along with the part identification.

SECTION SEVEN: TRAEGER SUPPORT

Parts are identified in the front of this manual on the COMPONENT DIAGRAM PAGE. To order parts: Call, E-mail or write to your Authorized Traeger Dealer or Traeger Pellet Grills. Please provide your name, phone number, address, Model and Serial Number of the Grill (located on a label inside the Hopper Lid), along with the part identification.

**TRAEGER PELLETT GRILLS, LLC BLDG R-1
10450 SW Nimbus STE A
Portland, Or 97223-9904**

**TRAEGER TECHNICAL SUPPORT
Available 7 Days a Week 5AM to 7PM
Pacific Time**

**TRAEGER PARTS DEPARTMENT
Available Weekdays 8AM to 3:30PM
Pacific Time**

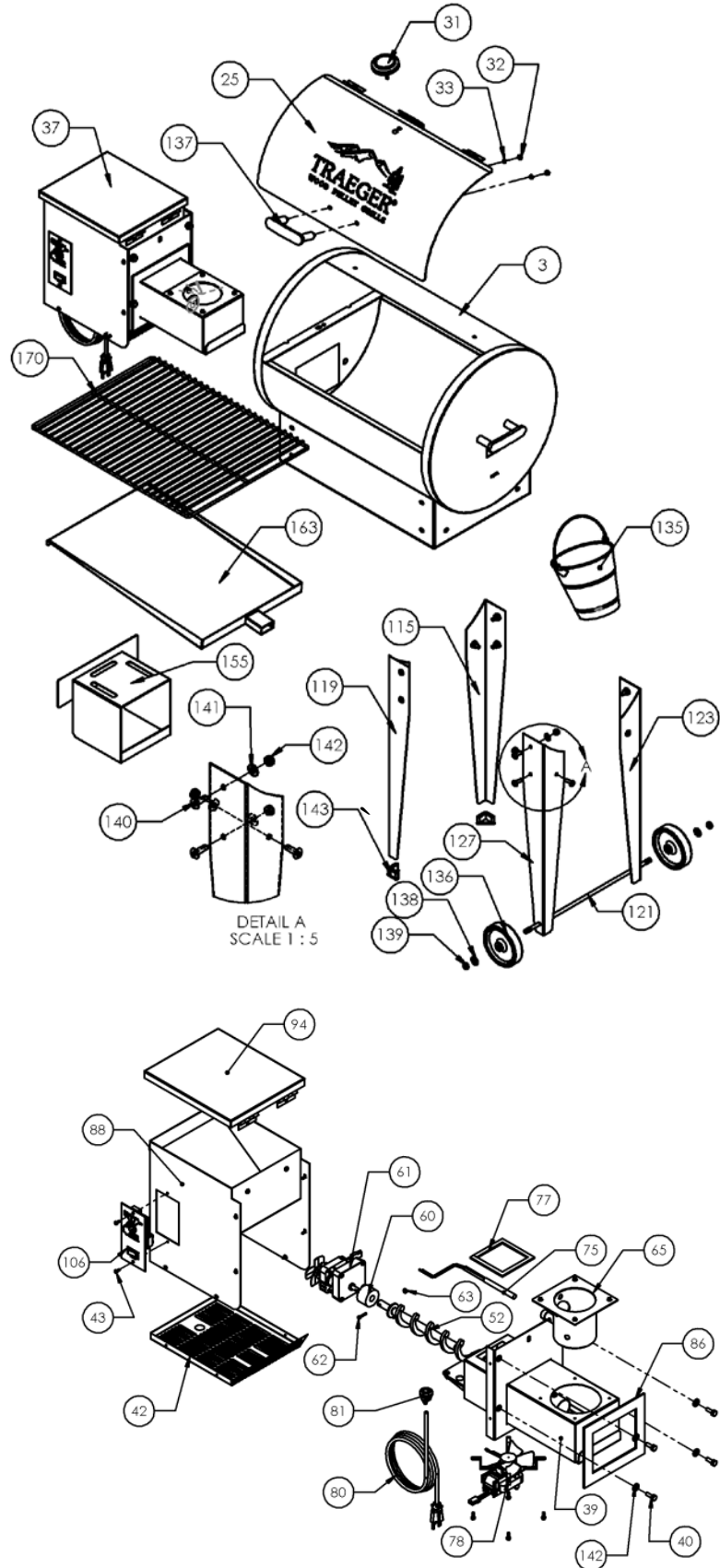
**TRAEGER SALES/ORDER DESK
Available Weekdays 8AM to 4:30PM
Pacific Time**

TOLL-FREE TELEPHONE: 1-800-872-3437

**E-mail: service@traegergrills.com
Website: www.traegergrills.com**



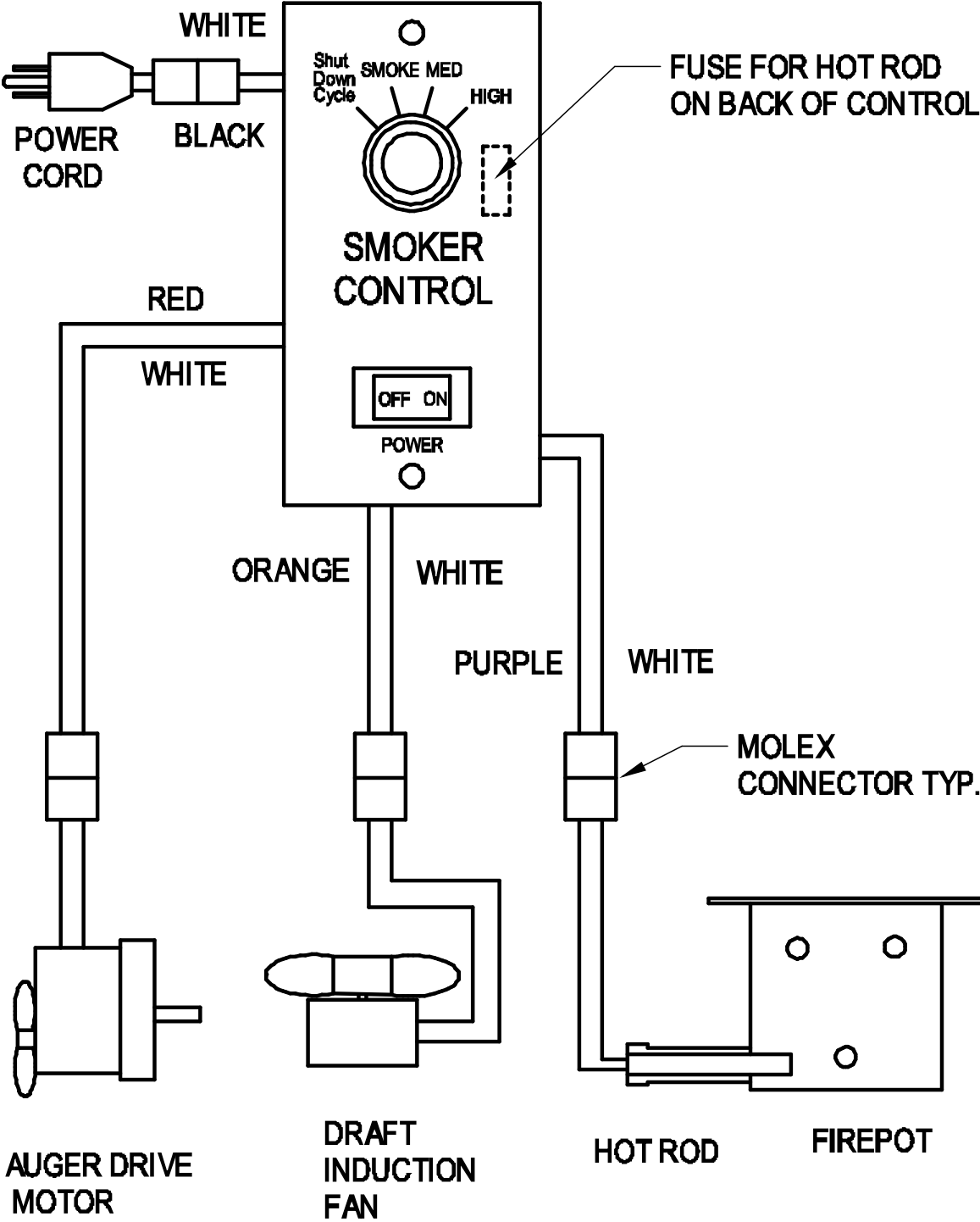
BBQ055.04 COMPONENTS DIAGRAM



BBQ055.04 PARTS LIST

Item	Qty	Description	P/N	Item	Qty	Description	P/N
3	1	Grill Frame Assembly	SUB018	86	1	Hopper Burner Gasket	INS144
25	1	Door Assembly	SUB120	88	1	Hopper Assembly	SUB021
31	1	Dome thermometer 2"	BAC256	94	1	Hopper Lid Assembly	SUB022
32	2	Nut 10-32 Hex Zinc	HDW136	106	1	Control 3 Speed W/SDC	BAC002
33	2	Washer #10 Lock Zinc	HDW135	115	1	Left Rear Leg	FCA029
37	1	Hopper Burner Assembly	SUB019	119	1	Left Front Leg	FCA030
39	1	Burner Box Assembly	SUB020	123	1	Right Rear Leg	FCA031
40	4	Bolt 1/4-20 x .750 Hex Zinc	HDW137	127	1	Right Front Leg	FCA032
42	1	Hopper Bottom Panel	BCA198	131	1	Axle Rod	SCA030
43	6	Screw 6-32 x .375 ST Zinc	HDW115	135	1	Bucket	HDW152
52	1	Auger Assembly	SUB023	136	2	Wheel	HDW208
60	1	Auger Tube Bushing	BRN109	137	3	Handle 055	HDW106
61	1	Auger Drive Motor	BRN100	138	2	Washer 5/16 Flat	HDW120
62	1	Nut 6-32 Nylock	HDW111	139	2	Nut 5/16-18 Nylock	HDW138
63	1	Screw 6-32 x .75 Socket Hd	HDW116	140	12	Screw 1/4-20 x .75 PPHD	HDW129
64	1	Screw 8-32 x 3/8 Slot Head	HDW114	141	12	NUT 1/4-20 X.75 Hex	HDW123
65	1	Firepot Assembly 7 Hole	FAB310	142	16	Washer 1/4 Flat	HDW130
75	1	Hot Rod	BAC119	143	2	Leg Cap	HDW104
77	1	Weather Strip Gasket	BRN900	155	1	Heat Baffle	BCA105
78	1	Draft Inducer Fan Assembly	FAN209	163	1	Drip Pan Assembly	SUB025
80	1	Cordset 120V Nema	ELE203	170	1	Porcelain Grill	HDW196
81	1	Cord Strain Relief	ELE210				

BBQ055.04 WIRING DIAGRAM



Free Manuals Download Website

<http://myh66.com>

<http://usermanuals.us>

<http://www.somanuals.com>

<http://www.4manuals.cc>

<http://www.manual-lib.com>

<http://www.404manual.com>

<http://www.luxmanual.com>

<http://aubethermostatmanual.com>

Golf course search by state

<http://golfingnear.com>

Email search by domain

<http://emailbydomain.com>

Auto manuals search

<http://auto.somanuals.com>

TV manuals search

<http://tv.somanuals.com>