



# 22-Ton Log Splitter

## Parts Manual

*Model:*

917030



The use of any gasoline exceeding 10% ethanol (E10) or 10% MTBE will void the product warranty.

L'utilisation d'une essence contenant plus de 10% d'éthanol (E10) ou de 10% de MTBE annulent la garantie.

El uso de cualquier otro tipo de gasolina con un porcentaje superior al 10% de etanol (E10) o al 10% de MTBE invalidará la garantía del producto.

# THE MANUAL

---

Before you operate your unit, carefully and completely read manuals supplied with the unit. The contents will provide you with an understanding of safety instructions and controls during normal operation and maintenance.

For your safety and the safety of others always read, understand, and follow all DANGER, WARNING, and CAUTION messages found in manuals and on safety decals.

Hardware descriptions are given in decimals.

Decimals to Fractions			
.063	1/16	.563	9/16
.125	1/8	.625	5/8
.188	3/16	.688	11/16
.250	1/4	.750	3/4
.313	5/16	.813	13/16
.375	3/8	.875	7/8
.438	7/16	.938	15/16
.500	1/2	1.00	1

## SERVICE AND REPLACEMENT PARTS

---

When ordering replacement parts or making service inquiries, know the Model and Serial numbers of your unit and engine.

Numbers are located on the product registration card in the unit literature package. They are printed on a serial number label, located on the frame of your unit.

- Record Unit Model and Serial numbers here:

- Record Engine Model and Serial numbers here:

## UNAUTHORIZED REPLACEMENT PARTS

Use only Ariens replacement parts. The replacement of any part on this vehicle with anything other than an Ariens authorized replacement part may adversely affect the performance, durability, or safety of this unit and may void the warranty. Ariens disclaims liability for any claims or damages, whether warranty, property damage, personal injury or death arising out of the use of unauthorized replacement parts.

# PRODUCT REGISTRATION

---

The Ariens dealer must register the product at the time of purchase. Registering the product will help the company process warranty claims or contact you with the latest service information. All claims meeting requirements during the limited warranty period will be honored, whether or not the product registration card is returned. Keep a proof of purchase if you do not register your unit.

**Customer Note:** If Dealer does not register your product, please fill out, sign and return the product registration card to Ariens or go to [www.ariens.com](http://www.ariens.com).

## YOUR SATISFACTION IS IMPORTANT

---

Questions? Please follow these helpful steps:

1. Refer to the manuals supplied with your unit.  
They will guide you through safe and proper operation and maintenance.  
They contain specifications on your unit.  
If your questions are not answered in these manuals, go to step number two.

2. Contact Your Dealer.  
Our dealers will be happy to supply any service or advice required to keep your unit operating at peak efficiency.

A factory trained staff is available to support your equipment needs. They stock genuine Ariens parts and lubricants manufactured with the same precision and skill as the original.

If your questions are not resolved by the support staff, ask for the manager or owner.

When contacting your Dealer supply your model and serial numbers.

## TO SPEED PARTS ORDERING:

1. Know the model and serial numbers of your unit.
2. Know the part number required.
3. Know the quantity required.
4. Know the part description.

# MODELS

---

## **Model 917030 (Log Splitter, 22-Ton)**

Subaru Engine EA175V

Serial No. 000101 +

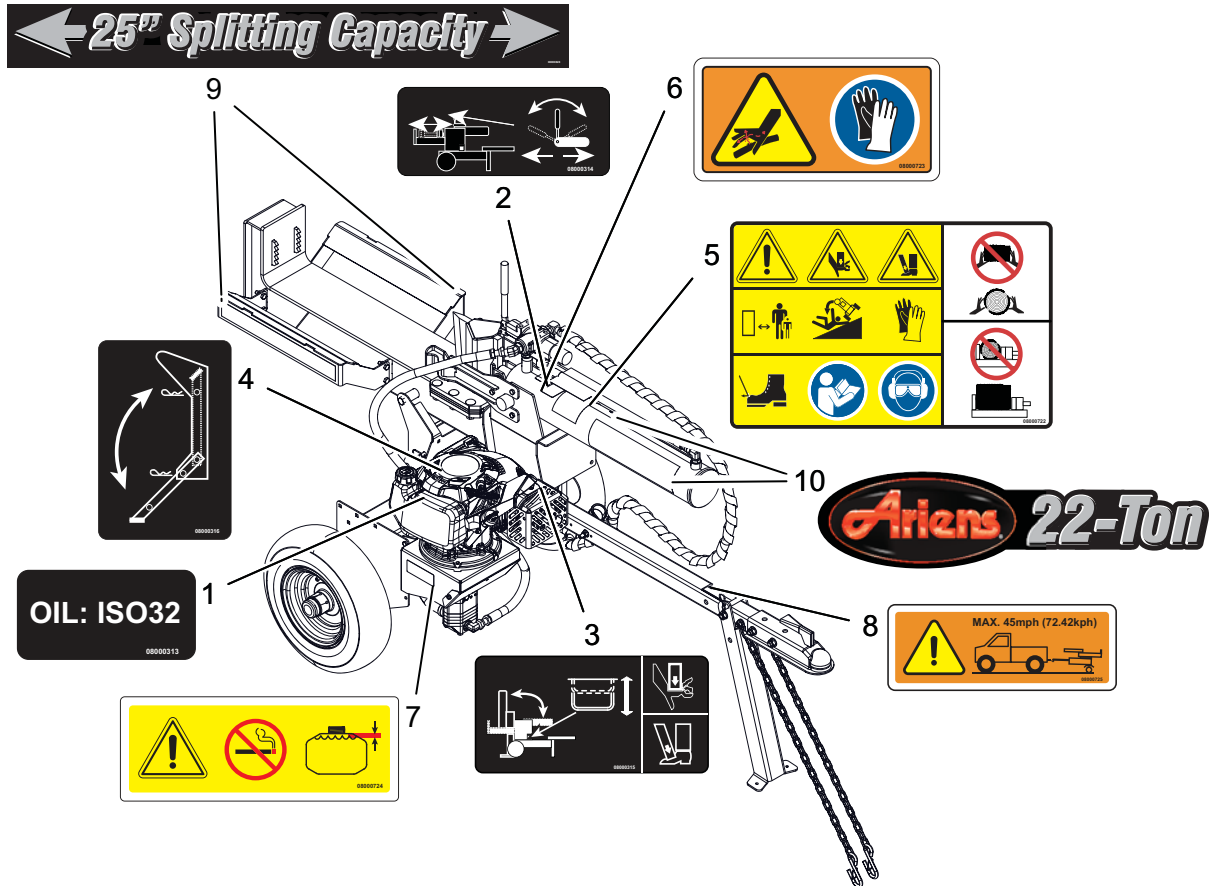
# TABLE OF CONTENTS

---

Decals .....	4
Beam .....	5
Hydraulics and Hoses .....	6
Chassis .....	7
Engine .....	8
Drawbar, Hitch, and Stand .....	9
Accessories .....	10

# DECALS

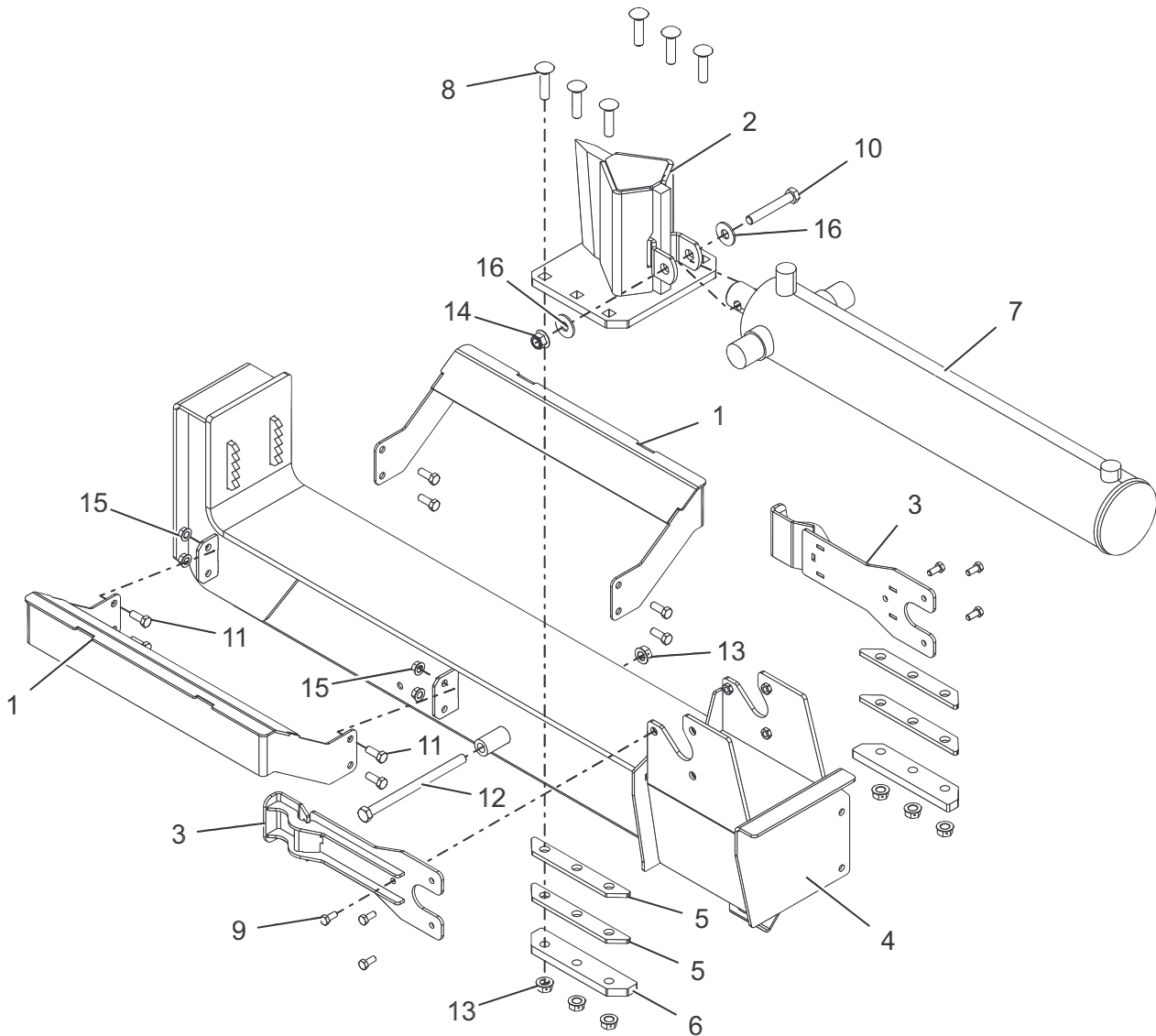
Model 917030



BOM ID	Number	Qty	Description
1	08000313	1	DECAL, LOG SPLITTER HYDRAULIC OIL
2	08000314	1	DECAL, LOG SPLITTER RAM OPERATION
3	08000315	1	DECAL, LOG SPLITTER TILT OPERATION
4	08000316	1	DECAL, LOG SPLITTER REAR STAND
5	08000722	1	DECAL, DANGER LOG SPLITTER
6	08000723	1	DECAL, HYD WARNING
7	08000724	1	DECAL, FUEL WARNING
8	08000725	1	DECAL, TOWING
9	08000828	2	DECAL, 25" SPLIT CAP
10	08000829	2	DECAL, ARIENS 22-TON

# BEAM

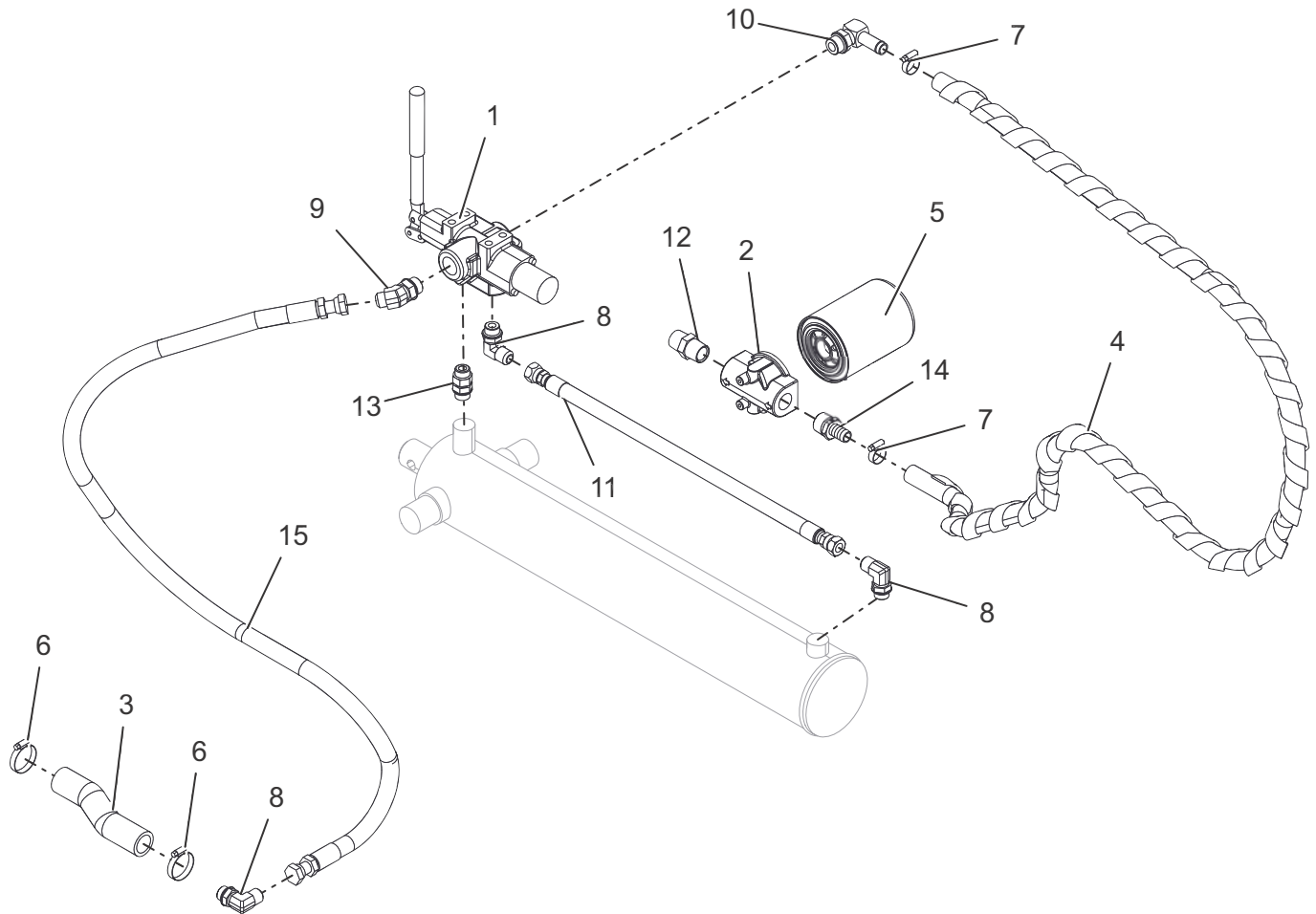
## Model 917030



BOM ID	Number	Qty	Description
1	04590851	2	WLDMT, CRADLE - LOG SPLITTER
2	04824851	1	WLDMT, WEDGE - SPLITTER (BLACK)
3	04861459	2	WLDMT, PLATE - STRIPPER (ORANGE)
4	04981451	1	WLDMT, BEAM -LOG SPLITTER (BLACK)
5	03967151	4	SPCR, WEDGE
6	04353251	2	RETAINER, WEDGE-BLACK
7	51702600	1	CYLINDER, SPLITTER - 4.0"
8	06200208	6	BLT-RDHDSQNK .50-13X2.00 G8 Y
9	05947000	6	BLT-HEX .31-18X.75 GR5 YWZC
10	05960000	1	BLT-HEX .50-13X3.25 GR5 YWZC
11	05948700	8	BLT-HEX .38-16X1.00 GR5 YWZC
12	05978200	1	BLT-HEX .50-13X7.50 GR5 YWZC
13	06530008	7	NUT-LK-CTR-FLG .50-13 YWZC
14	06500010	1	NUT-LK-NYL-FLG .50-13 YWZC
15	06542000	8	NUT, LK-TOP-FLG .38-16 YWZC
16	06442000	2	WSHR-FL-STL.563X1.38X.109YWZC

# HYDRAULICS AND HOSES

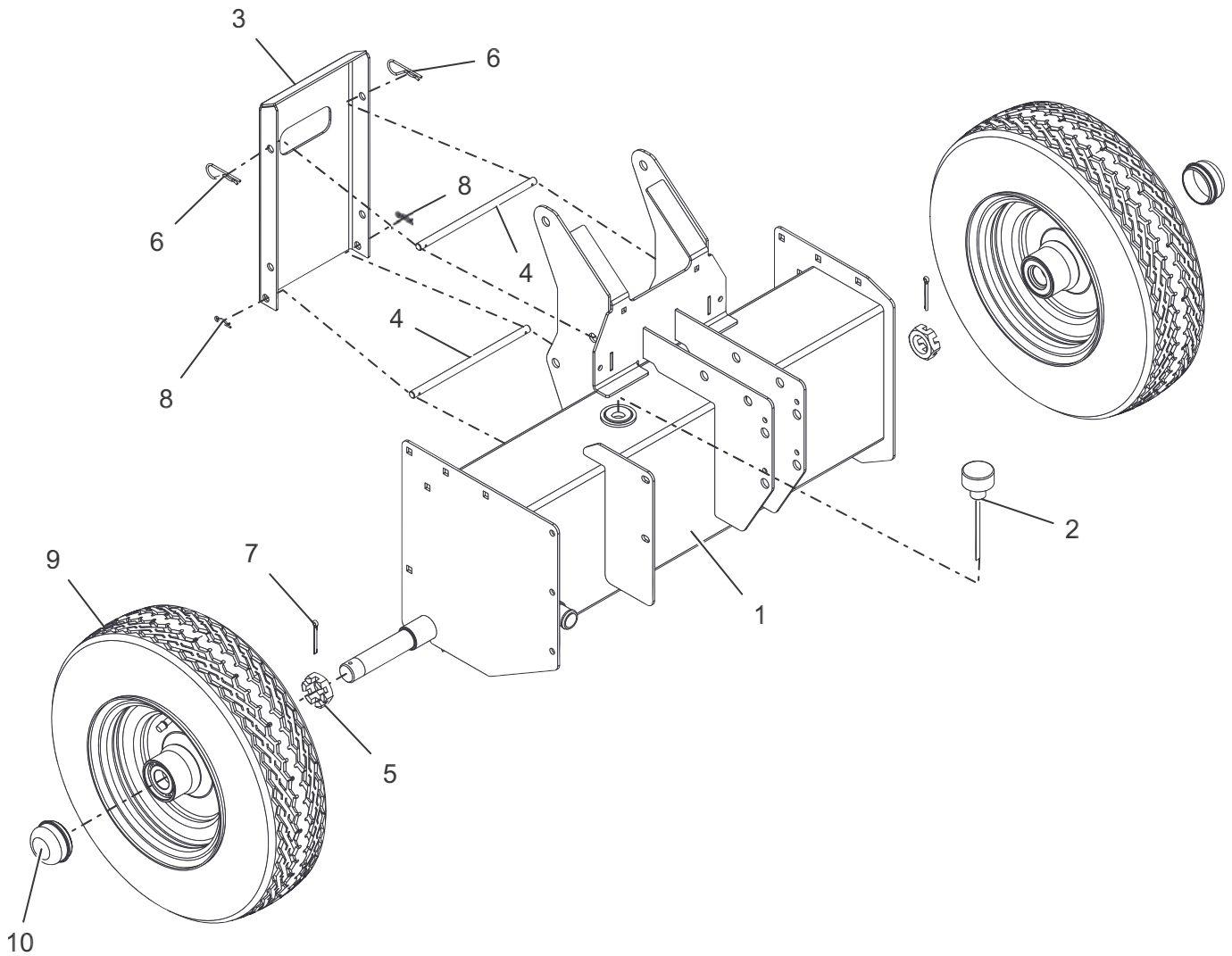
Model 917030



BOM ID	Number	Qty	Description
1	03846300	1	VALVE, CONTROL -SPLITTER
2	04367300	1	HEAD, FILTER -3/4 NPT BYPASS
3	04594300	1	HOSE, HYD SUCTION, 7.375"
4	04594400	1	HOSE, HYD -RETURN 74"LG
5	04975800	1	FILTER, HYDRAULIC OIL-NO BYPASS
6	06922200	2	CLAMP, HOSE 1.50 X .81 X 1.42
7	06923500	2	CLAMP, .88 DIA HOSE
8	07001535	3	FTG, HYD. 2501-8-8
9	07001537	1	FTG, HYD. 6802-8-10
10	07001538	1	FTG, HYD. 4601-10-10
11	07001540	1	HOSE, ASM - 22"
12	07001601	1	FITTING, HYD 5404-12-12
13	07001713	1	FTG, HYD - STR 08MAORB-08MORB
14	07001715	1	FTG, HYD 3/4"NPT X 5/8" ID HOSE BARBED
15	07001717	1	HOSE, HYD - 58"

# CHASSIS

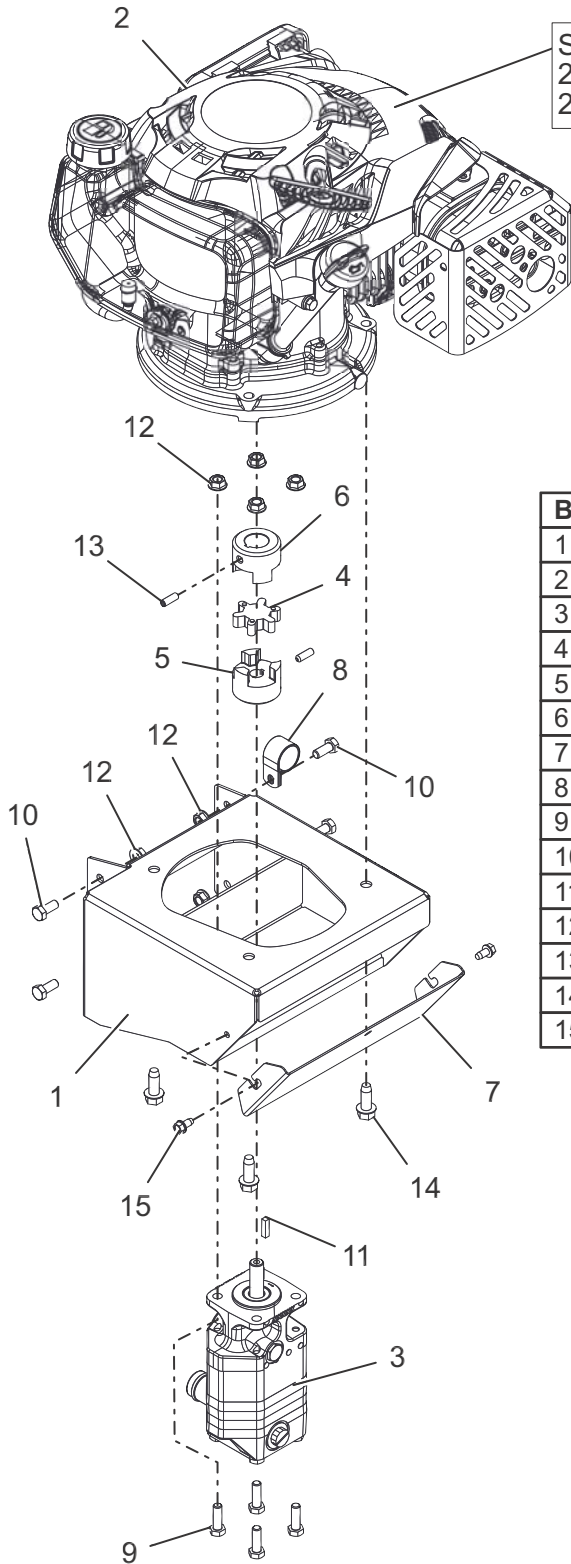
Model 917030



BOM ID	Number	Qty	Description
1	51704900	1	WLDMT, CHASSIS -SPLITTER-(SMALL) (ORANGE)
2	00463000	1	BREATHER, DIPSTICK
3	51700400	1	SUPPORT, REAR LEG
4	04852351	2	PIN, .373 X 7.30 X 2X .109 THRU (BLACK)
5	06513100	2	NUT, SL 1.0-14
6	06712900	2	HAIR, PIN #7 CLIP .094 X 2.31 YWZ
7	06713800	2	PIN, CTR .15 X 1.50 YWZC
8	06714800	2	PIN-HAIR, ENDRIES #25 YWZC
9	07101210	2	ASSM TIRE\WHEEL, 4.80/4.00-8 P47 GRAY
10	M135582	2	CAP, DUST

# ENGINE

## Model 917030



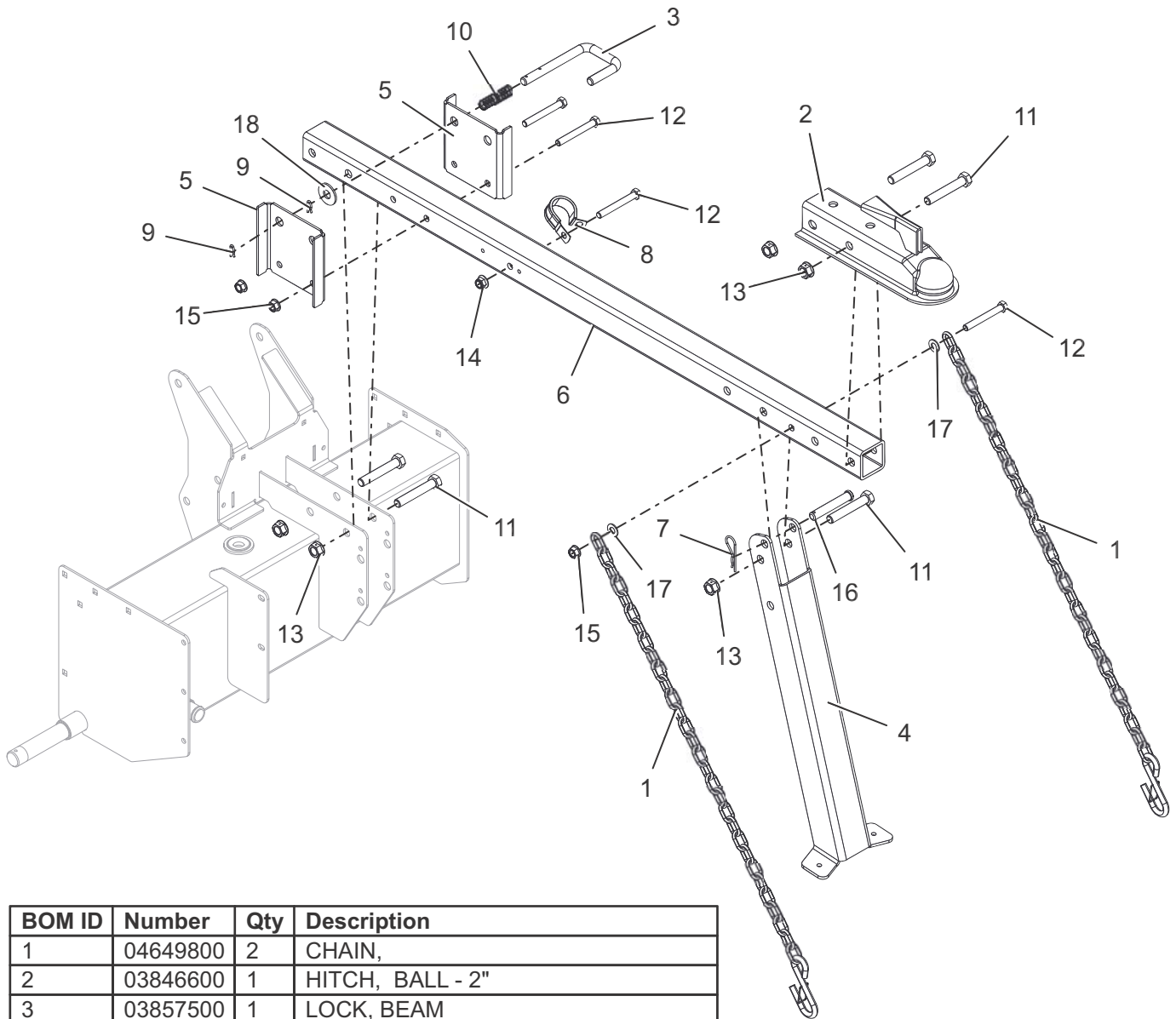
SERVICE ITEMS:  
 21100120 - AIR FILTER  
 21100122 - SPARK PLUG

BOM ID	Number	Qty	Description
1	51705000	1	WLDMT, ENGINE /PUMP MOUNT
2	08200642	1	ENGINE, SUBARU EA175V
3	03926900	1	PUMP, SPLITTER - 11 GPM
4	04586500	1	COUPLER, CONNECTOR SPIDER
5	04586600	1	COUPLER, DRIVE 1/2"
6	04586800	1	COUPLER, DRIVE 7/8"
7	04587859	1	COVER, COUPLING
8	06917900	1	CLAMP, CUSHIONED STEEL REV
9	05946900	4	BLT-HEX .31-18X1.00 GR5 YWZC
10	05947000	4	BLT-HEX .31-18X.75 GR5 YWZC
11	06606100	1	KEY-SQ .188X.188X.750
12	06543100	8	NUT, LK-TOP-FLG .312-18 YWZC
13	06000222	2	SCR-SET, 25-20X.75 SKHCUPDL REV
14	07414100	3	SCR-TAP .38-16X1.00 HWH TR YZ
15	07400034	2	SCR-TAP .25-20X.50 HWH TR YWZ



# DRAWBAR, HITCH, AND STAND

Model 917030

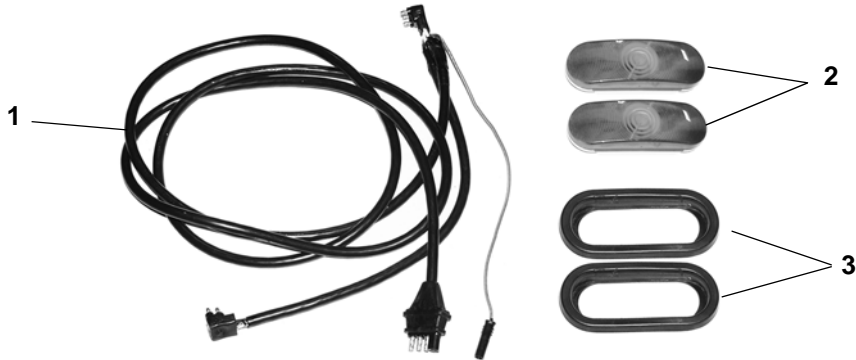


BOM ID	Number	Qty	Description
1	04649800	2	CHAIN,
2	03846600	1	HITCH, BALL - 2"
3	03857500	1	LOCK, BEAM
4	04541751	1	STAND, FRONT (BLACK)
5	04577651	2	GUIDE, LOCK DOWN
6	51705100	1	DRAWBAR, TUBE (BLACK)
7	06712900	1	HAIR, PIN #7 CLIP .094 X 2.31 YWZ
8	06900526	1	CLAMP, CUSHIONED STEEL, 1.25
9	06944800	2	CLIP, SPRING
10	08325900	1	SPRG, COMPRESSION .058X.65X2.13
11	05959900	5	BLT-HEX .50-13X3.00 GR5 YWZC
12	05957800	4	BLT-HEX .38-16X3.00 GR5 YWZC
13	06530008	5	NUT-LK-CTR-FLG .50-13 YWZC
14	06545500	1	NUT-LK-NYL-FLG .38-16 YWZC
15	06542000	3	NUT, LK-TOP-FLG .38-16 YWZC
16	06817300	1	PIN-CLEV .494X3.00 YWZC
17	06436200	2	WSHR-FL-STL.406X.812X.065 YWZ
18	06442000	1	WSHR-FL-STL.563X1.38X.109YWZC

# ACCESSORIES

Model 917030

## Light Harness Kit 71701300



Item	Part No.	Qty.	Description
1	03888300	1	Wiring Harness, Trailer Light Kit
2	03888400	2	Housing, Tail Light With Bulb
3	03888500	2	Grommet, Tail Light Mounting

## Engine Cover Kit 71701500



Item	Part No.	Qty.	Description
1	03888900	1	Cover, Engine

## Log Splitter Cover Kit 71702000

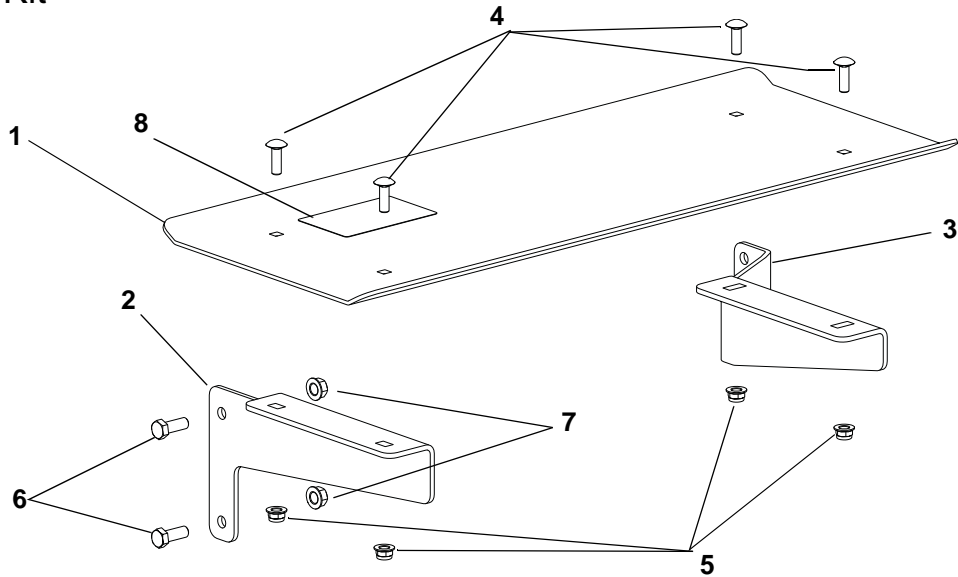


Item	Part No.	Qty.	Description
1	71702000	1	Log Splitter Cover Kit

# ACCESSORIES

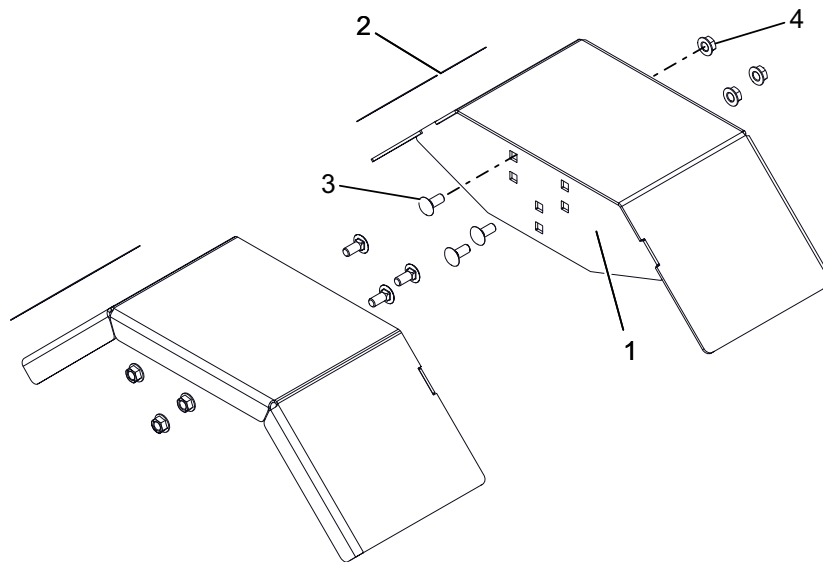
## Model 917030

### Work Table Kit 71702900



Item	Part No.	Qty.	Description
1	04590059	1	Table, Work
2	04589551	1	Bracket, Front
3	04589451	1	Bracket, Rear
4	06200007	4	Bolt, Round Head Square Neck .31-18 x 1.00
5	06545400	4	Nut, Locking Nylon Flange .31-18
6	05948700	2	Bolt, Hex .38-16 x 1.00
7	06542000	2	Nut, Locking Top Flange .38-16
8	08000727	1	Decal, Splitter Table

### Fender Kit 71703000



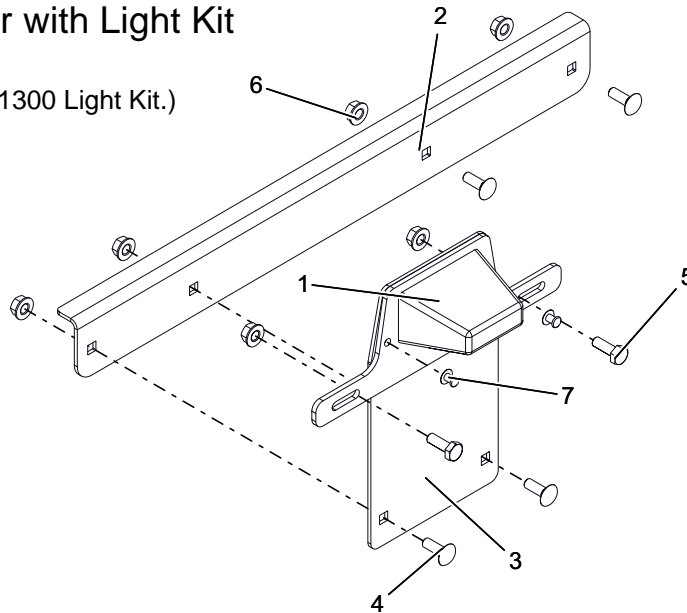
BOM ID	Number	Qty	Description
1	03857159	2	WLDMT, FENDER
2	02995900	2	DECAL, ARIENS JEWEL (LARGE)
3	06215700	6	@BLT-RDHDSQNK .31-18X.75 G5 YWZC
4	06543100	6	@NUT, LK-TOP-FLG .312-18 YWZC

# ACCESSORIES

## Model 917030

### License Plate Holder with Light Kit 71703200

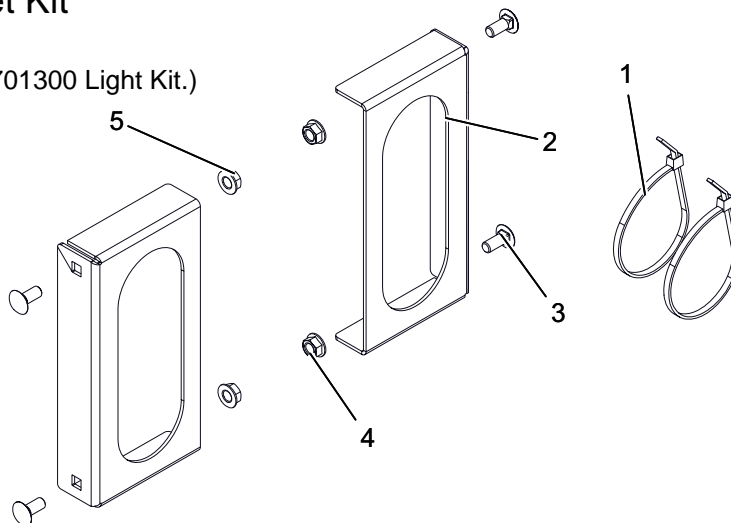
(Requires purchase of 71701300 Light Kit.)



BOM ID	Number	Qty	Description
1	03888600	1	BRKT, LICENSE PLATE W/LIGHT
2	04285551	1	BRKT, SPLITTER LICENSE PLATE-BLACK
3	04577851	1	SUPPORT, BACK -LICENSE PLATE-BLACK
4	06219900	4	@BLT-RDHDSQNK .25-20X.75 G5 YWZC
5	05946800	2	BLT-HEX .25-20X.75 GR5 YWZC
6	06543500	6	@NUT, LK-TOP-FLG .25-20 YWZC
7	06800028	2	RVT-POP .187x.250 (#64) YWZC

### Brake Light Bracket Kit 71703300

(Requires purchase of 71701300 Light Kit.)



BOM ID	Number	Qty	Description
1	04003800	2	WRAP, TIE
2	04580751	2	BRKT, LIGHT MOUNTING-BLACK
3	06215700	4	@BLT-RDHDSQNK .31-18X.75 G5 YWZC
4	06543100	2	@NUT, LK-TOP-FLG .312-18 YWZC
5	06543100	2	@NUT, LK-TOP-FLG .312-18 YWZC

# NOTES

---



Ariens Company  
655 West Ryan Street  
Brillion, WI 54110

**ariensstore.com**  
(Dealer Locator)

**ariens.custhelp.com**  
(Customer Support)

## Free Manuals Download Website

<http://myh66.com>

<http://usermanuals.us>

<http://www.somanuals.com>

<http://www.4manuals.cc>

<http://www.manual-lib.com>

<http://www.404manual.com>

<http://www.luxmanual.com>

<http://aubethermostatmanual.com>

Golf course search by state

<http://golfingnear.com>

Email search by domain

<http://emailbydomain.com>

Auto manuals search

<http://auto.somanuals.com>

TV manuals search

<http://tv.somanuals.com>