



**BOTTOM FREEZER REFRIGERATOR**  
**REFRIGERATOR**  
**SERVICE MANUAL**

**CAUTION**  
**BEFORE SERVICING THE PRODUCT**  
**READ THE SAFETY PRECAUTIONS IN THIS MANUAL**



- 795.78342.800
- 795.78343.800
- 795.78344.800
- 795.78346.800
- 795.78349.800
- 795.78352.800
- 795.78353.800
- 795.78354.800
- 795.78356.800
- 795.78359.800

**ENGLISH**

# CONTENTS

---

<b>SAFETY PRECAUTIONS</b> .....	2
<b>1. SPECIFICATIONS</b> .....	3
<b>2. PARTS IDENTIFICATION</b> .....	5
<b>3. DISASSEMBLY</b> .....	6
3.1 Door .....	6
3.2 To remove the dispenser .....	7
3.3 Fan and fan motor .....	8
3.4 Defrost control assembly .....	8
3.5 Lamp .....	8
3.6 Refrigerator control box .....	9
3.7 Multi duct .....	9
3.8 How to remove and reinstall the pullout drawer .....	9
3.9 Cover Valve .....	12
<b>4. COMPRESSOR ELECTRICAL</b> .....	13
4.1 Compressor .....	13
4.2 PTC-Starter .....	13
4.3 OLP (overload protector) .....	14
4.4 To remove the cover PTC (only if applies) .....	14
4.5 To remove the COMBO (only if applies) .....	14
<b>5. CIRCUIT DIAGRAM</b> .....	15
<b>6. TROUBLESHOOTING</b> .....	16
6.1 Compressor and electrical components .....	16
6.2 PTC/COMBO and OLP .....	17
6.3 Other electrical components .....	18
6.4 Service diagnosis chart .....	19
6.5 Refrigeration cycle .....	20
6.6 Troubleshooting with error .....	22
<b>7. ICEMAKER OPERATING PRINCIPLES AND REPAIR</b> .....	30
7.1 Operation Principle .....	30
7.2 Ice maker functions .....	31
7.3 Defect diagnosis function .....	32
<b>8. WATER FILTER</b> .....	33
8.1 Water filter cartridge replacement .....	33
8.2 Water dispenser (on some models) .....	34
<b>9. DESCRIPTION OF FUNCTION &amp; CIRCUIT OF MICOM</b> .....	35
9.1 Function .....	35
9.2 PCB function .....	40
9.3 Resistance specification of sensor .....	48
9.4 Troubleshooting .....	49
9.5 Main PWB assembly and parts list .....	51
9.6 PWB diagram .....	53
<b>10. EXPLODED VIEW AND REPLACEMENT PART LIST</b> .....	54
795.783** .800 .....	60

## SAFETY PRECAUTIONS

---

Please read the following instructions before servicing your refrigerator.

1. Check the refrigerator for current leakage.
2. To prevent electric shock, unplug before servicing.
3. Always check line voltage and amperage.
4. Use standard electrical components.
5. Don't touch metal products in the freezer with wet hands. This may cause frost bite.
6. Prevent water from spilling on to electrical elements or the machine parts.

7. Before tilting the refrigerator, remove all materials from on or in the refrigerator.
8. When servicing the evaporator, wear gloves to prevent injuries from the sharp evaporator fins.
9. Service on the refrigerator should be performed by a qualified technician. Sealed system repair must be performed by a CFC certified technician.

# 1. SPECIFICATIONS

---

## 1-1 DISCONNECT POWER CORD BEFORE SERVICING IMPORTANT RECONNECT ALL GROUNDING DEVICES.

All parts of this appliance capable of conducting electrical current are grounded. If grounding wires, screws, straps, clips, nuts or washers used to complete a path to ground are removed for service, they must be returned to their original position and properly fastened.

## 1-2 IMPORTANT NOTICE

This information is intended for use by individuals possessing adequate backgrounds of electrical, electronic and mechanical experience. Any attempt to repair a major appliance may result in personal injury and property damage. The manufacturer or seller cannot be responsible for the interpretation of this information, nor can it assume any liability in connection with its use.

## 1-3 ELECTRICAL SPECIFICATIONS

Temperature Control (Position: MID) .....	-6°F to +8°F
Defrost Control .....	Automatic
Defrost Thermostat .....	50°F
Electrical Rating : 115VAC, 60Hz .....	1 - 5 A
Maximum Current Leakage .....	0.5mA
Maximum Ground Path Resistance .....	0.14Ohms
Energy Consumption .....	23cuft 466kWh/yr (Energy star)

## 1-4 NO LOAD PERFORMANCE

Control Position : MID/MID

And ambient of:	70°F	90°F
Fresh Food, °F .....	33°F to 41°F	33°F to 41°F
Frozen Food, °F .....	-4°F to +4°F	-4°F to +4°F
Percent Running Time .....	25% - 35%	45% - 60%

## 1-5 REFRIGERATION SYSTEM

## 1-6 INSTALLATION

Minimum Compressor Capacity Vacuum .....	21 in	Clearance must be provided at top, sides and rear of the refrigerator for air circulation.	
Minimum Equalized Pressure			
at 70°F .....	49PSIG	AT TOP .....	1in
at 90°F .....	56PSIG	AT SIDES .....	1/18 in
Refrigerant R134a .....	4.2oz	AT REAR .....	1in
Compressor .....	-700 BTU/hr		

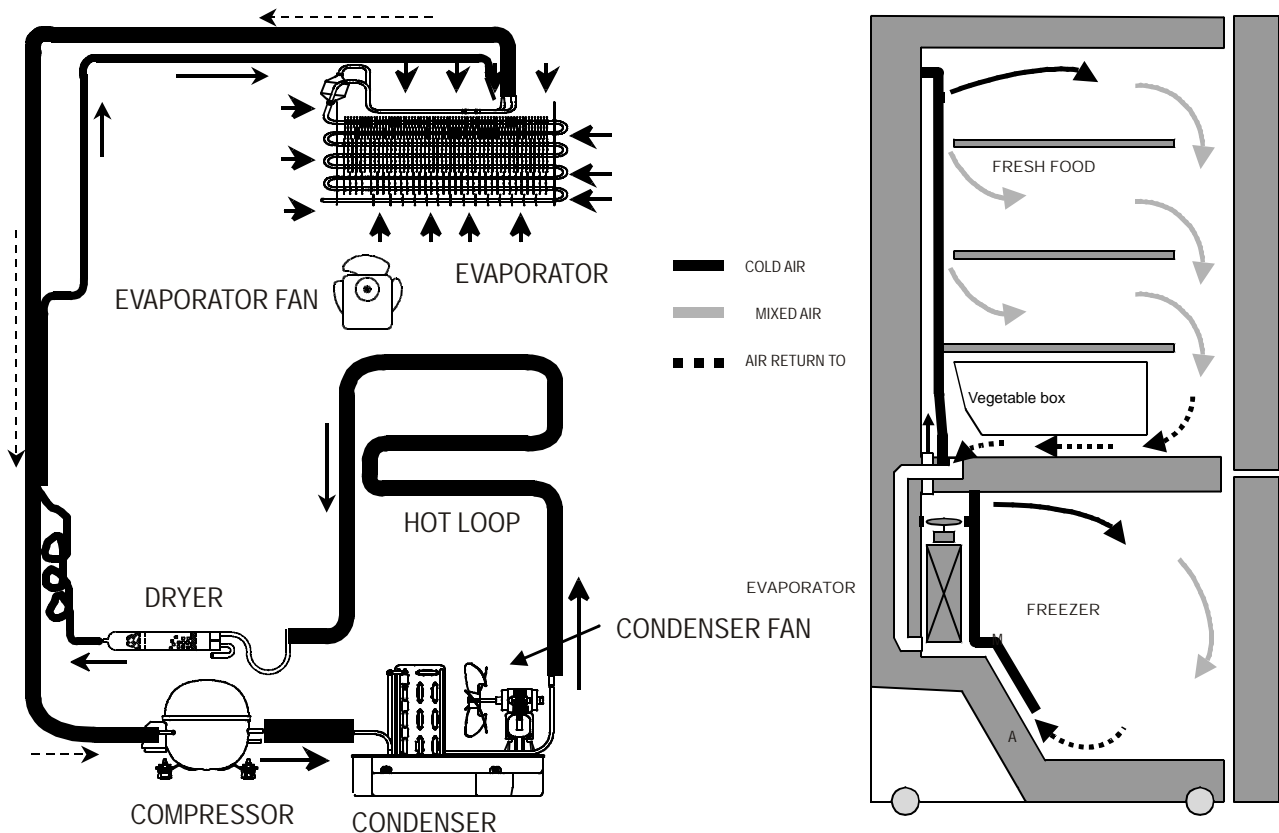
**PERFORMANCE DATA  
(NORMAL OPERATING CONDITIONS)**

AMB	WATTS	SYSTEM PRESSURE (PSIG)	
		HIGH SIDE	LOW SIDE
70°F	98 (+10 / -10)	98 (+5 / -3)	(-5) to (-2)
90°F	98 (+10 / -10)	132 (+3 / -3)	(-4) to 1
110°F	103 (+5 / -5)	180 (+5 / -5)	(-2) to 3

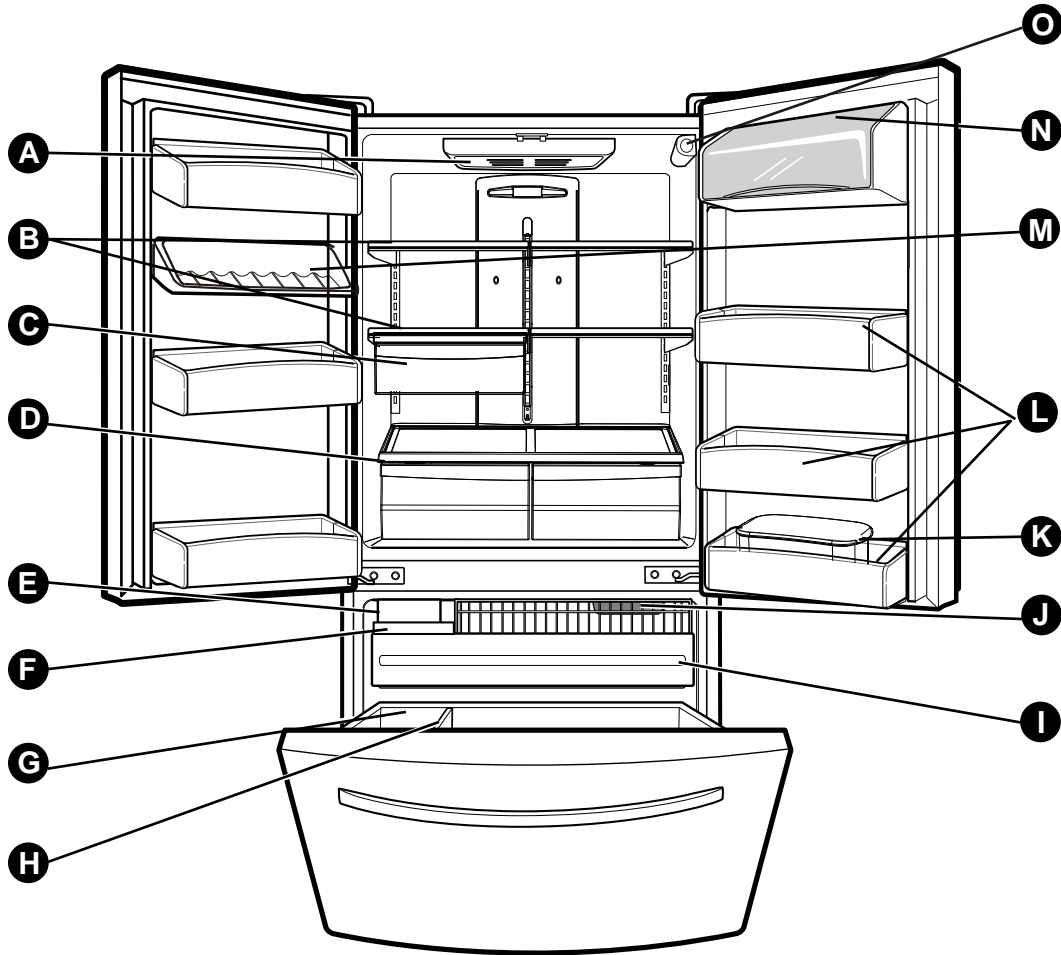
**1-7 REPLACEMENT PARTS**

Thermistor assembly (COMBO).....	EBG43493101
Defrost Thermostat .....	6615JB2005C
Defrost Heater .....	5300JB1100J
Evaporator fan motor .....	4681JK1004A
Capacitor .....	0CZZJB2012J
Compressor (Hi-Side) .....	TCA32125901
Compressor (Lo-Side) .....	5421JJ1001B
Condenser .....	5403JJ1007A
Dryer .....	5851JJ2002B
Condenser fan motor .....	4681JB1029J
Temperature Control .....	6871JB1439C
Main Control .....	6871JK1011G
Harness assembly.....	6877JK2017C

**1-8 AIR FLOW**



## 2. PARTS IDENTIFICATION



Use this section to become more familiar with the parts and features.

**NOTE:**This guide covers several different models.The refrigerator you have purchased may have some or all of the items listed below.The locations of the features shown below may not match your model.

- |                                 |                                  |
|---------------------------------|----------------------------------|
| <b>A</b> Refrigerator Light     | <b>I</b> Glide-Out Drawer Basket |
| <b>B</b> Refrigerator Shelves   | <b>J</b> Freezer Light           |
| <b>C</b> Snack Pan              | <b>K</b> Egg Box                 |
| <b>D</b> Crisper                | <b>L</b> Modular Door Bins       |
| <b>E</b> Adjusta Cube Ice Maker | <b>M</b> Can Rack*               |
| <b>F</b> Ice Bin                | <b>N</b> Dairy Corner            |
| <b>G</b> Durabase               | <b>O</b> Filter                  |
| <b>H</b> Divider                |                                  |

\*On some models

# 3. DISASSEMBLY

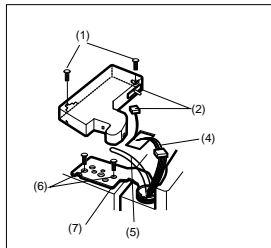
## 3-1 DOOR

### ► Left Door

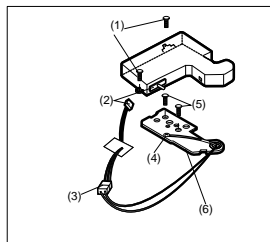
- Loosen the screws and remove the cover on back side (see figure A).
- Disconnect water supply tube by pushing back on the disconnect ring (3).
- Loosen the cover screws (1).
- Disconnect door switch wire (2).
- Disconnect wire harness (4).
- Pull out the tube (5).
- Loosen hinge bolts (6).
- Lift off the top hinge (7).
- Place the door on a non-scratching surface with the inside up.

### ► Right Door

- Loosen the cover screws (1).
- Disconnect door switch wire (2).
- Disconnect wire harness (3).
- Loosen ground screw (4).
- Loosen hinge bolts (5).
- Lift off the top hinge (6).
- Place the door on a non-scratching surface with the inside up.



LEFT



RIGHT

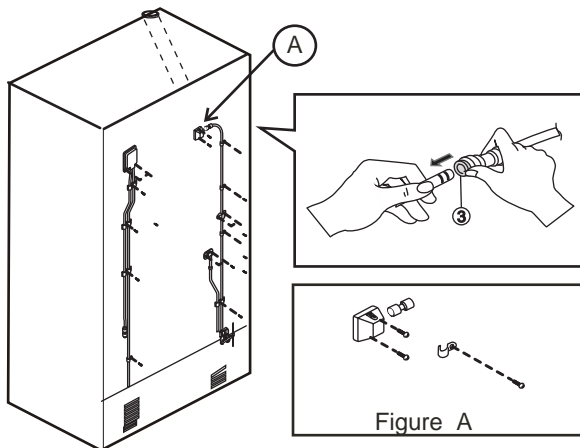


Figure 1

## Door Gasket Removal

### 1. Remove door frame cover

Starting at top of cover and working down, snap cover out and away from door.

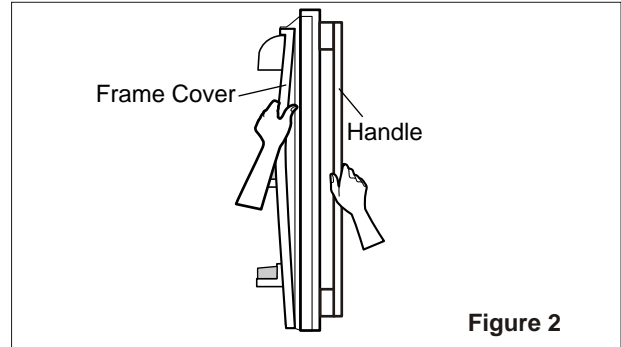


Figure 2

### 2. Remove gasket bracket clips

There are two clips on each door. Start bracket removal near one of the middle clips.

- 1) Pull gasket back to expose gasket bracket clip and door frame.
- 2) Insert a flat tip screwdriver into seam between gasket bracket and door frame and pry back until clips snap out.
- 3) Continue prying back along seam until all clips snap out.

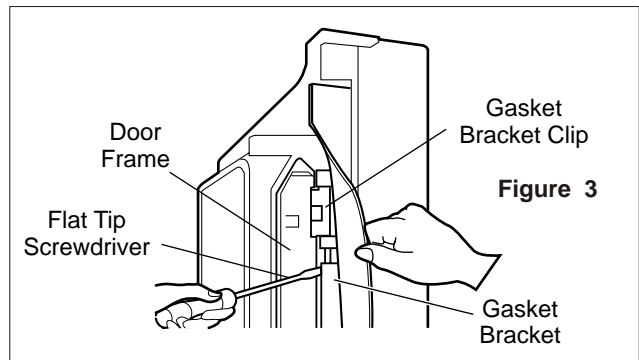


Figure 3

### 3. Remove gasket

Pull gasket free from gasket channel on the three remaining sides of door.

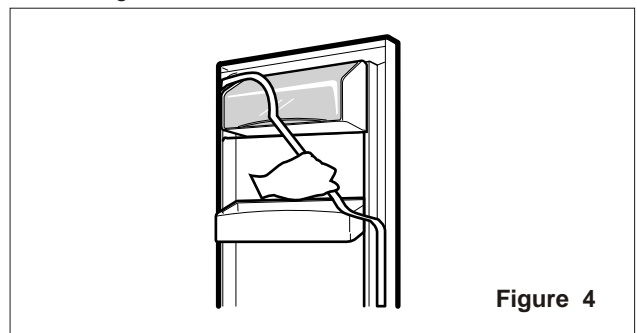


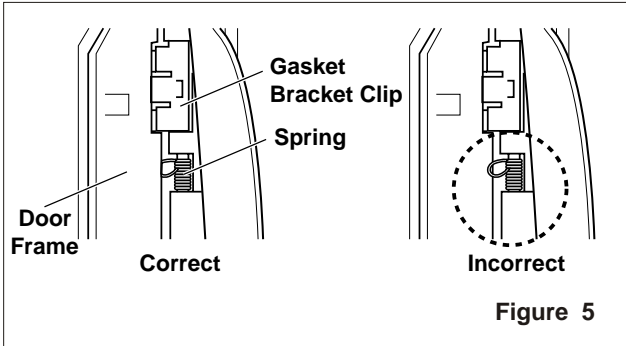
Figure 4

## Door Gasket Replacement

### 1. Insert gasket bracket clips

- 1) Insert gasket bracket edge beneath door frame edge.
- 2) Turn upper gasket bracket spring so that both spring ends are in the door channel.

3) Push in clip until you hear it snap securely into place.



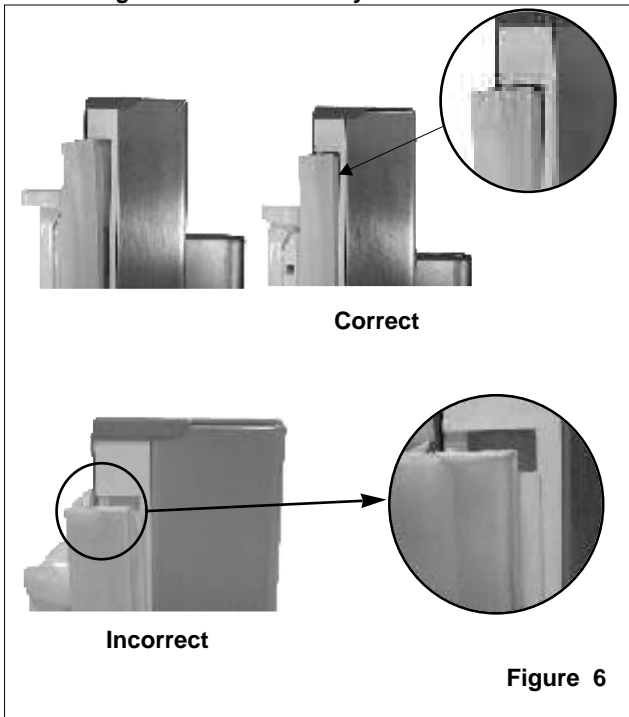
4) Push in remaining two clips until you hear each snap securely into place.

**Note:** Make sure that no part of gasket bracket edge protrudes from beneath door frame edge.

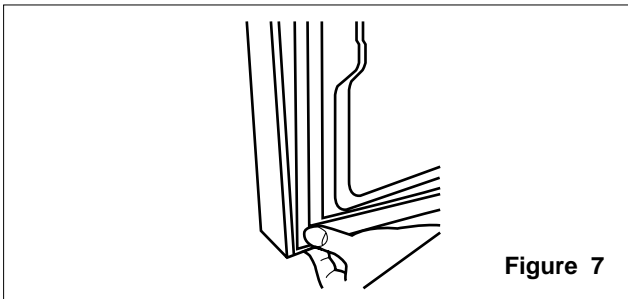
## 2. Insert gasket into channel

1) Snap gasket assembly into the door bracket.

**Inserting the Gasket Assembly into the Bracket Door.**

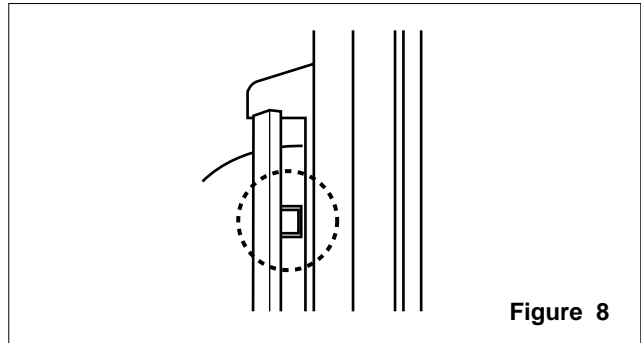


2) Press gasket into channel on the three remaining sides of door.



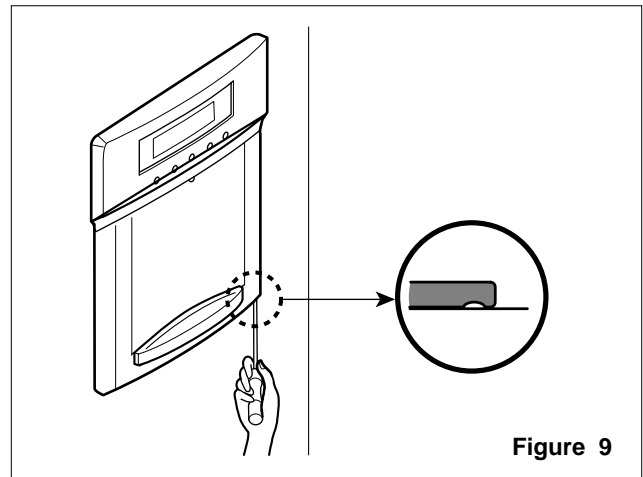
## 3. Replace door frame cover

Starting at top of cover and working down, snap the cover back into door.

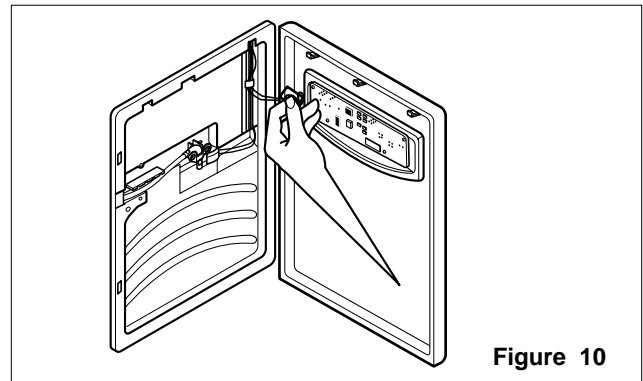


## 3-2 TO REMOVE THE DISPENSER

1. Use flat tip screwdriver to pry back hooks on bottom underside of cover dispenser.



2. Pry off cover dispenser.



Disconnect wire harness.

3. Replace cover dispenser in opposite manner and order of removal.

### 3-3 FAN AND FAN MOTOR

1. Remove the freezer shelf. (If your refrigerator has an icemaker, remove the icemaker first).
2. Remove the plastic guide for slides on left side by unscrewing phillips head screws.
3. Remove the grille by removing one screw and pulling the grille forward.
4. Remove the Fan Motor assembly by loosening 2 screws.
5. Pull out the fan and separate the Fan Motor and Bracket.

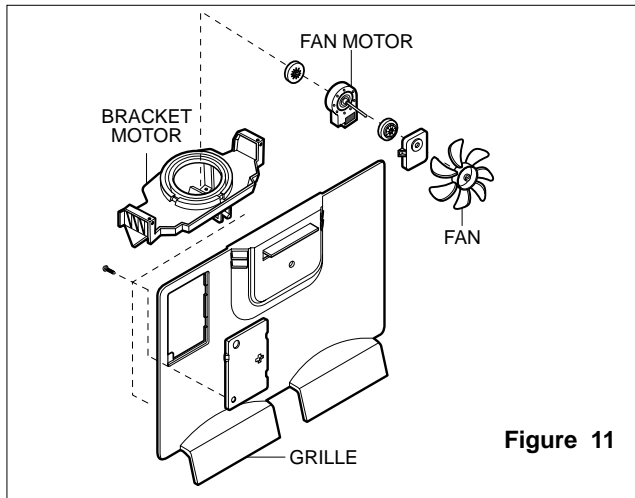


Figure 11

### 3-4 DEFROST CONTROL ASSEMBLY

Defrost Control assembly consist pf Defrost Sensor and FUSE-M.

The defrost Sensor wotks to defrost automatically. It is attached to the metal side of the Evaporator and senses its Temperature.

Fuse-M is a safety device for preventing over-heating of the evaporator area when defrosting.

At 72°C, it turns the Defrost Heater off.

1. Pull out the grille assembly. (Figure 12).
2. Separate the connector with the Defrost Control assembly and replace the Defrost Control assembly after cutting the tie wrap. (Figure 13).
3. Be sure to retire the wires when reassembling after service.

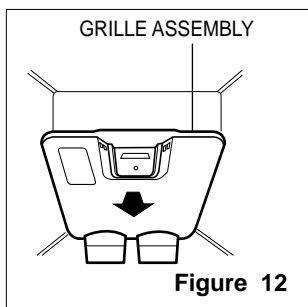


Figure 12

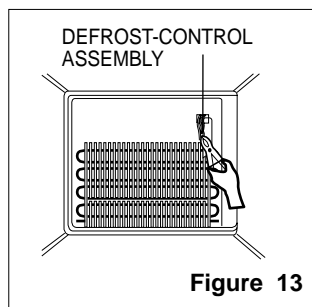


Figure 13

### 3-5 LAMP

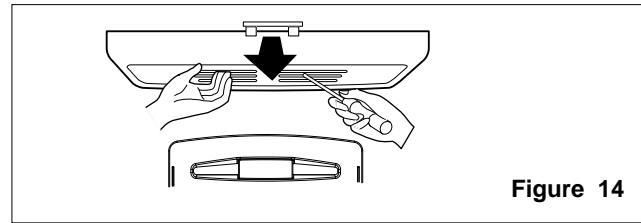


Figure 14

#### 3-5-1 To change the refrigerator light

1. Unplug the power cord from the outlet.
2. Remove refrigerator shelves.
3. Release the hooks on the front of the light shield with the help of a flat screwdriver and pull the shield down to remove it.
4. Turn the bulb counterclockwise.
5. To assemble, first insert the hooks at the back and then push up the light shield.

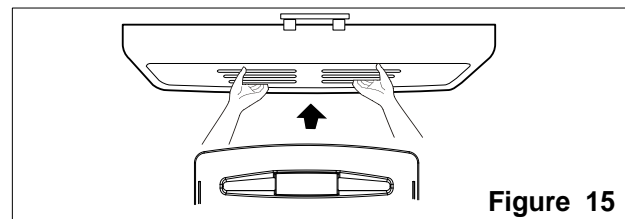


Figure 15

#### 3-5-2 To change the freezer light

1. Unplug refrigerator or disconnect power.
2. Reach behind light shield to remove bulb.
3. Replace bulb with a wattage indicated in the refrigerator section, as shown in picture 1.
4. Plug in refrigerator or reconnect power.

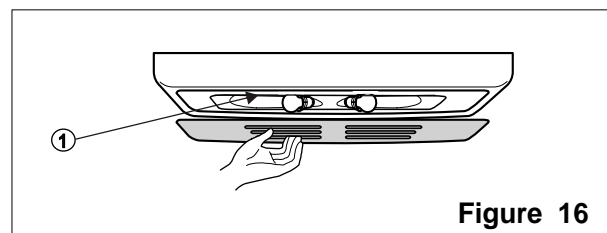
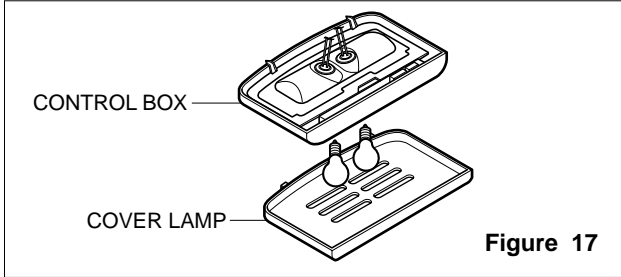


Figure 16



### 3-6 REFRIGERATOR CONTROL BOX

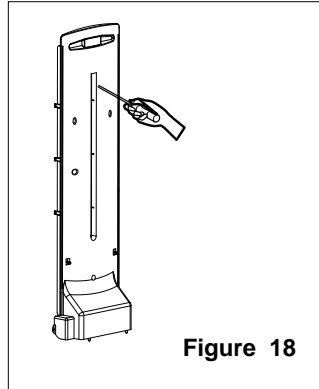
1. First, remove all shelves in the refrigerator, then remove the refrigerator control box by loosening 2 screws.



2. Remove the Refrigerator Control Box by pulling it downward.  
3. Disconnect the lead wire on the right position and separate the lamp sockets.

### 3-7 MULTIDUCT

1. Remove the upper cap by using a flat screwdriver, and remove 2 screws. (Figure 18)  
2. Disconnect the lead wire on the bottom position.



### 3-8 HOW TO REMOVE AND REINSTALL THE PULL OUT DRAWER

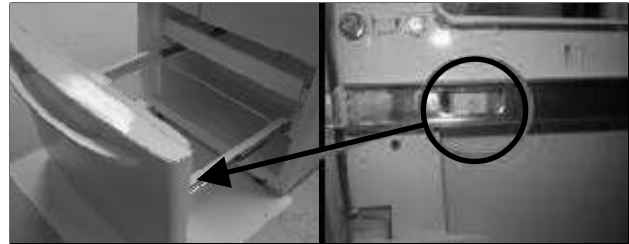
3-8-1 Follow steps to remove

1) Open the freezer door.

2) Remove the lower drawer.



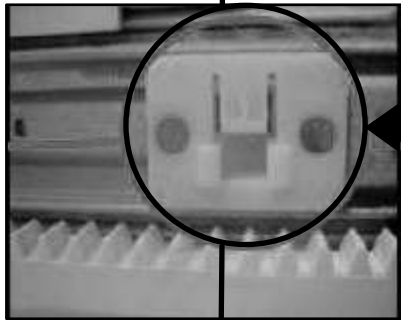
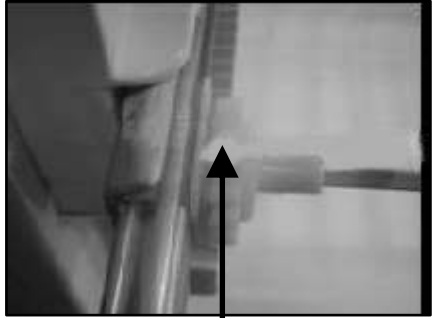
3) Remove the two screws from the guide rails (one from each side).



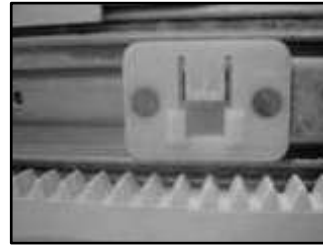
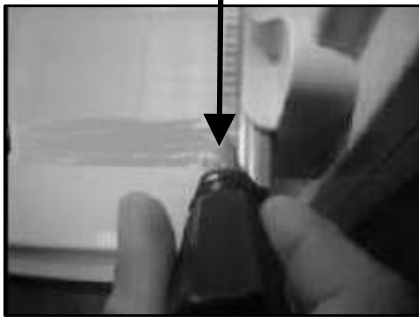
4) Lift the freezer door up to unhook it from the rail support and remove. Pull both rails to full extension.



5) First: Remove the gear from the left side first by releasing the tab behind the gear, place a screwdriver between the gear and the tab and pull up on the gear.  
 Second: Remove the center rail.  
 Third: Remove the gear from the right side by following the same steps for the left side.



**NOTE:** This tab must be pushed in to release the gear.



2) Insert the rail into the right side gear. Gears do not need to be perpendicular to each other.



3) Insert the rail into the left side gear, and insert the gear into the clip.



**3-8-2 Follow steps to reinstall**

1) Reinstall the right side gear into the clip.



4) The rail system will align itself by pushing the rails all the way into the freezer section. Pull the rails back out to full extension.



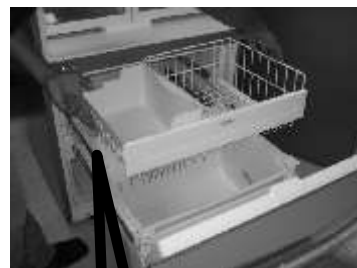
5) Reinstall the freezer door by inserting the rail tabs into the guide rail.



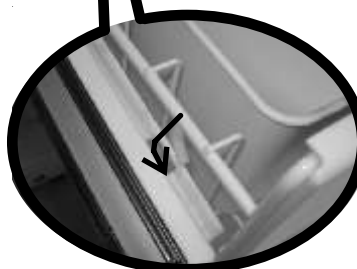
2. To install, pull both rails out to full extension. Hook the basket supports into the rail tabs and push to the back of compartment.



6) Reinstall the two screws into the guide rails (one from each side).

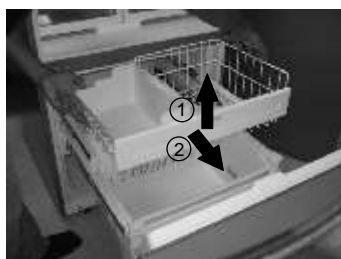


7) Reinstall the lower drawer, and close the freezer door.



### 3-8-3 GLIDE OUT DRAWER BASKET

1. To remove, lift basket up and pull out straight out.



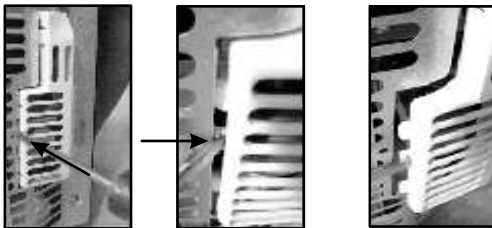
### 3-9 COVER VALVE

-Disassembly

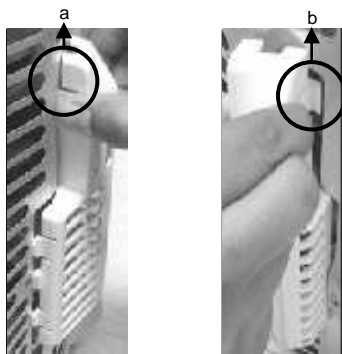
1. Remove the screw.



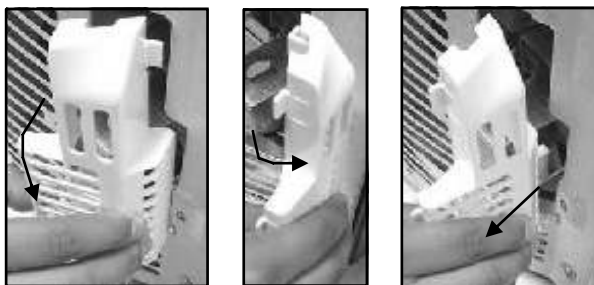
2. Push and then push to the right and release



3. Release hooks a & b.

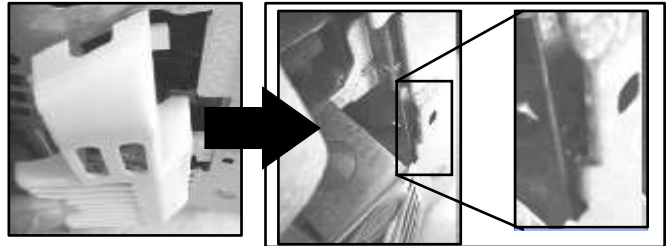


4. Turn the cover valve 120° as shown in the picture, then release it.

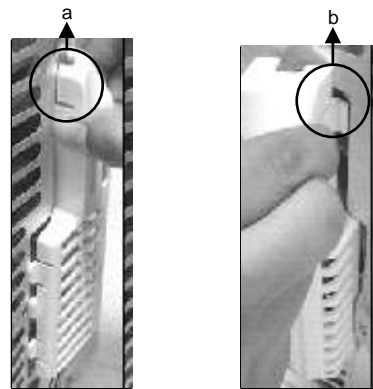


- Assembly

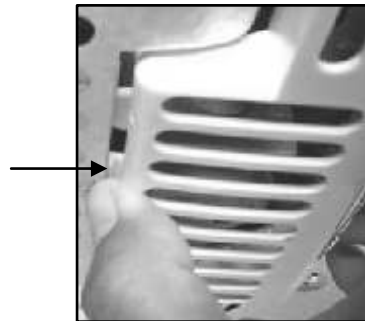
1. Insert the cover valve as shown in the picture, push to insert (may need force).



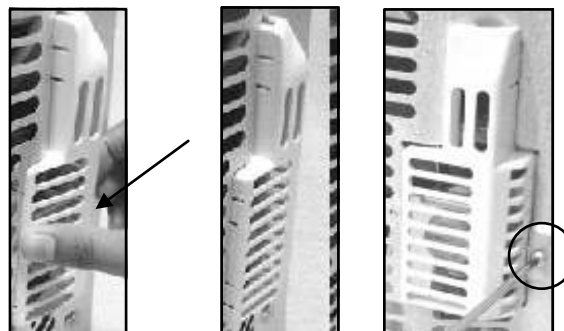
2. Insert hook a & b.



3. Push to the right to insert the cover valve.



4. Then push and release. Install the screw.



# 4. COMPRESSOR ELECTRICAL

## 4-1 COMPRESSOR

### 4-1-1 Role

The compressor intakes low temperature and low pressure gas from the evaporator of the refrigerator and compresses this gas to high temperature and high pressure gas. It then delivers the gas to the condenser.

### 4-1-2 Composition

The compressor includes overload protection. The PTC starter and OLP (overload protector) are attached to the outside of the compressor. Since the compressor is manufactured to tolerances of 1 micron and is hermetically sealed in a dust and moisture-free environment, use extreme caution when repairing it.

### 4-1-3 Note for Usage

- (1) Be careful not to allow over-current.
- (2) If compressor is dropped or handled carelessly, poor operation and noise may result.
- (3) Use proper electric components appropriate to the particular compressor in your product.
- (4) Keep compressor dry.

If the compressor gets wet (in the rain or a damp environment) and rust forms in the pin of the Hermetic Terminal, poor operation and contact may result. If the hermetic connector rusts out or fails, refrigerant and oil will be expelled into the contact area, probably resulting in smoke and fire.

- (5) When replacing the compressor, be careful that dust, humidity, and soldering flux don't contaminate the inside of the compressor. Contamination in the cylinder may cause noise, improper operation or even cause it to lock up.

## 4-2 PTC-STARTER/ COMBO

### 4-2-1 Composition of PTC- Starter

- (1) PTC (Positive Temperature Coefficient) is a no-contact semiconductor starting device which uses ceramic material consisting of  $BaTiO_3$ .
- (2) The higher the temperature is, the higher the resistance value. These features are used as a starting device for the motor.

### 4-2-2 Role of PTC-Starter

- (1) The PTC is attached to the Sealed Compressor and is used for starting the motor.
- (2) The compressor is a single-phase induction motor. During the starting operation, the PTC allows current flow to both the start winding and main winding.

### 4-2-3 Combo TSD

TSD (Time Starting Device) is a new electronic starting system for high efficiency compressors due to the following characteristics:

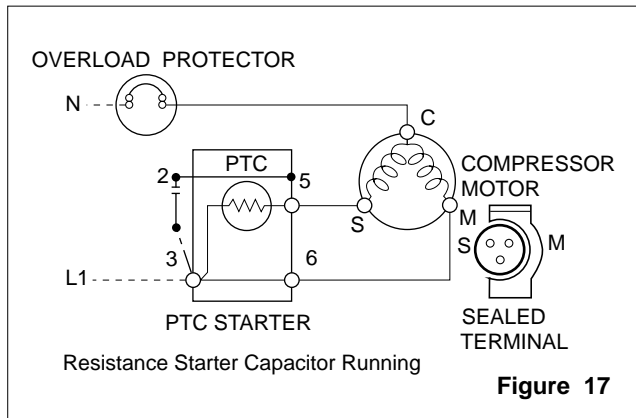
- (1) Combo concept-overload protector, electronic board and cover in a single casing.
- (2) Fully electronic concept.
- (3) Full integration of starting and protection devices.
- (4) Free from mechanical and electromagnetic noises.

### 4-2-4 Role of Combo TSD

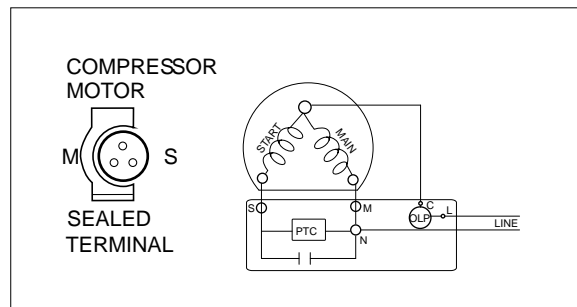
- (1) The combo is attached to the sealed compressor and is used for the operation and protect the motor.
- (2) The compressor is a single phase induction motor. During the starting and operation, the combo allows current flow to both the start and main winding.

### 4-2-5 PTC/Combo - Applied Circuit Diagram Starting Method for the Motor

#### PTC DIAGRAM



#### COMBO DIAGRAM



### 4-2-6 Motor Restarting and PTC/ Combo Cooling

- (1) It requires approximately 5 minutes for the pressure to equalize before the compressor can restart.
- (2) The PTC/Combo device generates heat during operation. Therefore, it must be allowed to cool before the compressor can restart.

### 4-2-7 Relation of PTC-Starter / Combo and OLP

- (1) If the compressor attempts to restart before the PTC/Combo device is cooled, the PTC/Combo device will allow current to flow only to the main winding.
- (2) The OLP will open because of the over current condition. This same process will continue (3 to 5 times) when the compressor attempts to restart until the PTC/Combo device has cooled. The correct OLP must be properly attached to prevent damage to the compressor. Parts may appear physically identical but could have different electrical ratings. Replace parts by part number and model number. Using an incorrect part could result in damage to the product, fire, injury, or possibly death.

4-2-8 Note for using the PTC-Starter / Combo

- (1) Be careful not to allow over-voltage and over-current
  - (2) Do not drop or handle carelessly.
  - (3) Keep away from any liquid.  
If liquid such as oil or water enters the PTC/Combo, PTC/Combo materials may fail due to breakdown of their insulating capabilities.
  - (4) If the exterior of the PTC/Combo is damaged, the resistance value may be altered. This can cause damage to the compressor and result in a no-start or hard-to-start condition.
  - (5) Always use the PTC/Combo designed for the compressor and make sure it is properly attached to the compressor.
- Parts may appear physically identical but could have different electrical ratings. Replace parts by part number and model number. Using an incorrect part could result in damage to the product, fire, injury, or possibly death.

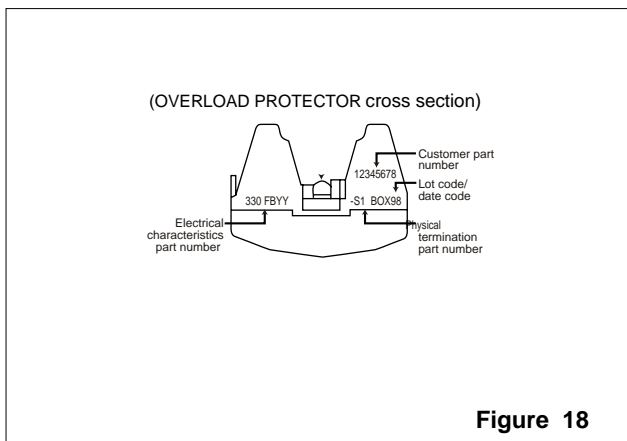
4-3 OLP (OVERLOAD PROTECTOR)

4-3-1 Definition of OLP

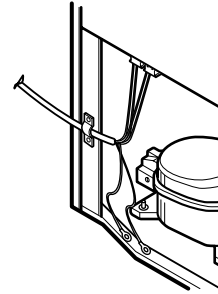
- (1) OLP (OVERLOAD PROTECTOR) is attached to the compressor and protects the motor by opening the circuit to the motor if the temperature rises activating the bimetal spring in the OLP.
- (2) When high current flows to the compressor motor, the bimetal works by heating the heater inside the OLP, and the OLP protects the motor by cutting off the current flowing to the compressor motor.

4-3-2 Role of the OLP

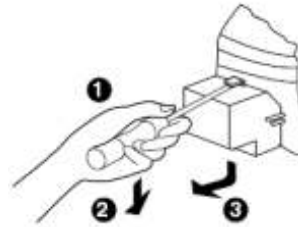
- (1) The OLP is attached to the sealed compressor used for the refrigerator. It prevents the motor coil from being started in the compressor.
- (2) For normal operation of the OLP, do not turn the adjust screw of the OLP in anyway.



4-4 TO REMOVE THE COVER PTC (only if applies)

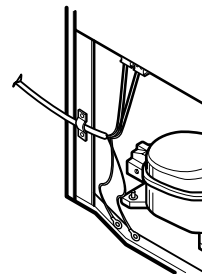


- (1) Remove the cover Back M/C.
- (2) Disconnect two housing upper side of comp connected in.
- (3) Loosen two screws on comp base.

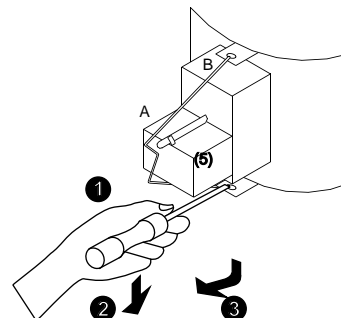


- (4) Use a L-shaped flap tool to pry off the cover.
- (5) Assembly in reverse order of disassembly.

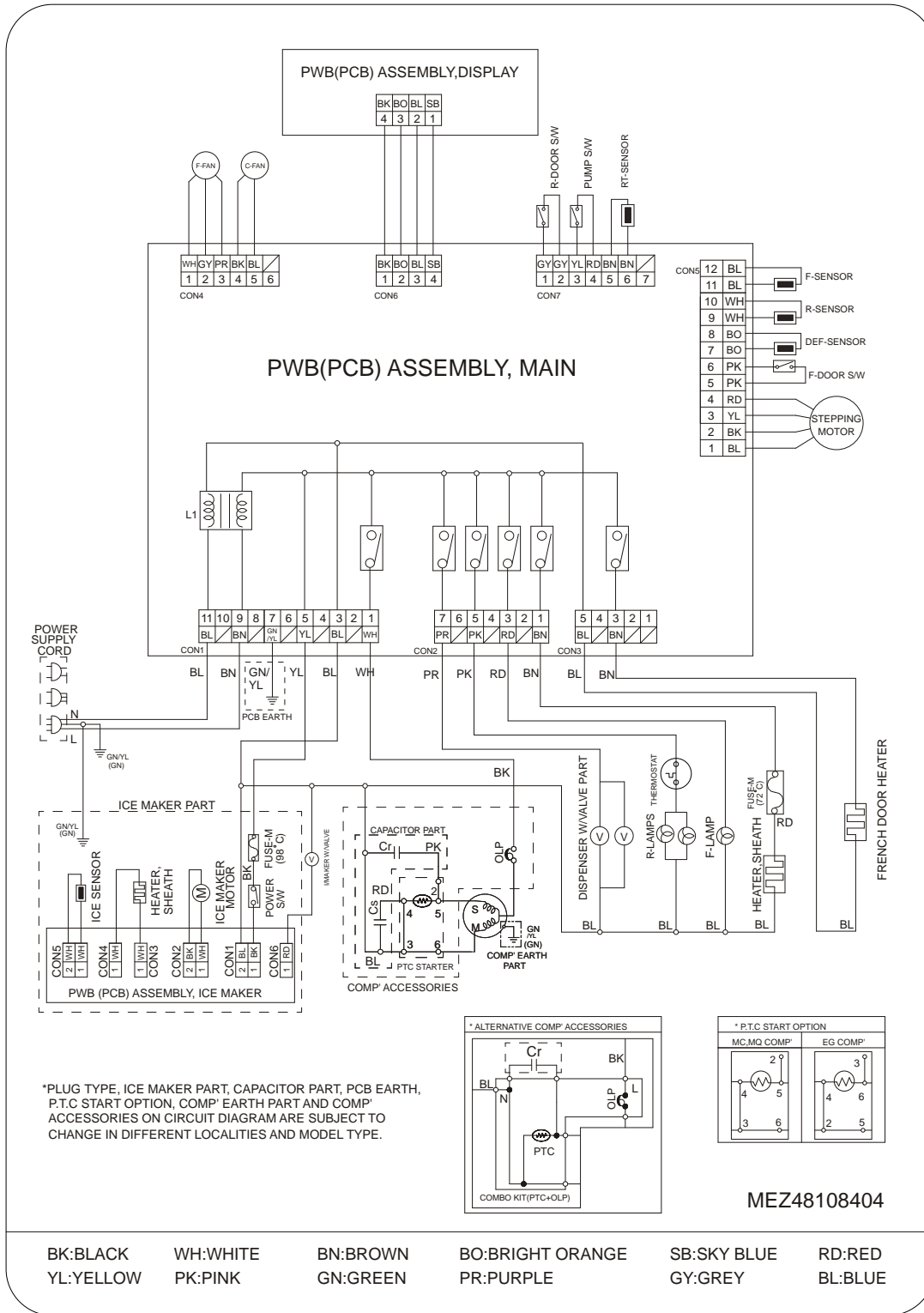
4-5 TO REMOVE THE COMBO (only if applies)



- (1) Remove the cover Back M/C.
- (2) Disconnect two housing upper side of comp connected in.
- (3) Loosen two screws on comp base.
- (4) Use a flat screwdriver to take off the clip from the lower side.
- (5) Take the combo off.
- (6) To assembly the side with the "U" form is hooked in the central part of the compressor base.
- (7) Press the "A" point and lift the "B" point to hook to compressor.

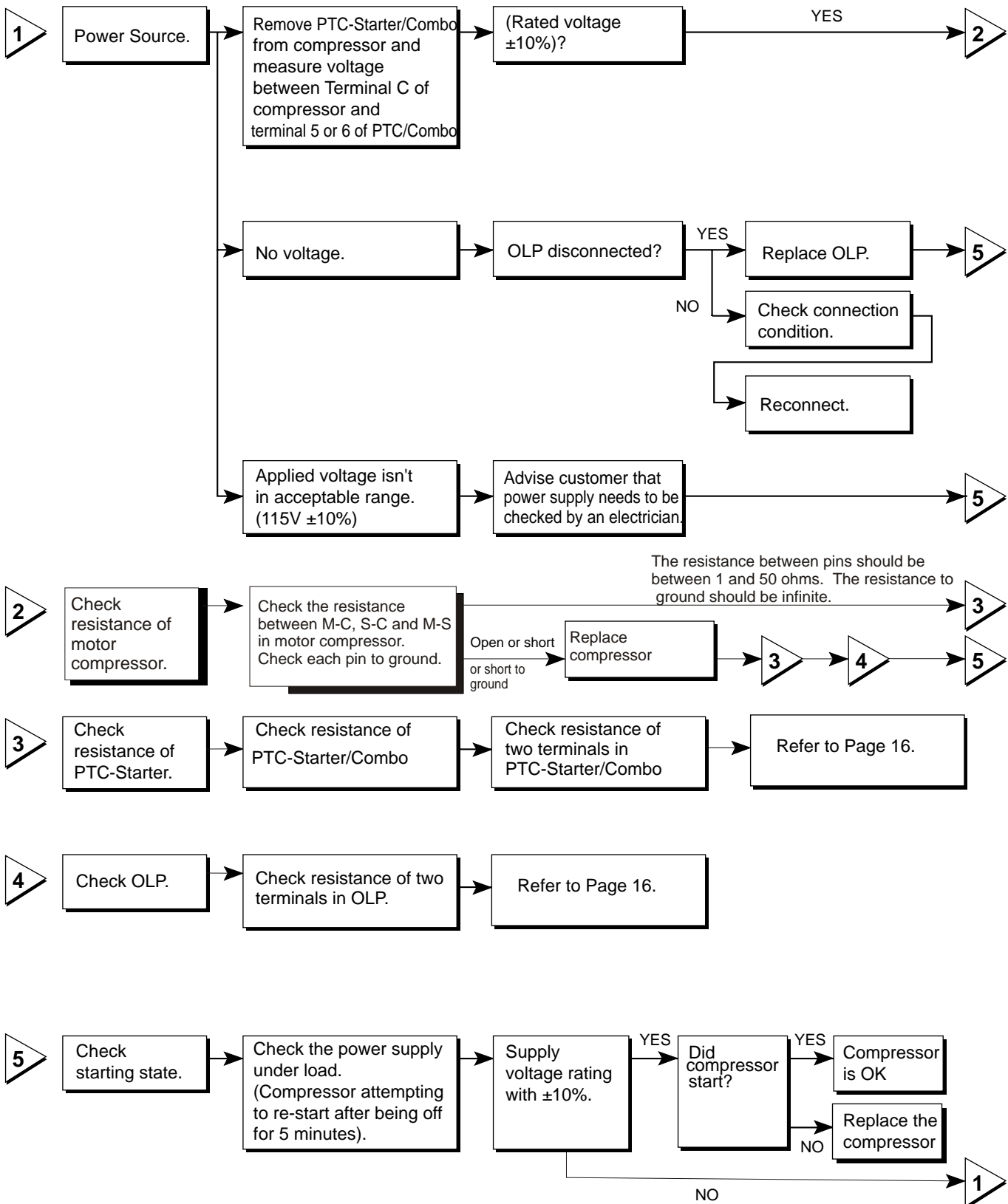


# 5. CIRCUIT DIAGRAM



# 6. TROUBLESHOOTING

## 6-1 COMPRESSOR AND ELECTRIC COMPONENTS





## 6-2 PTC / COMBO AND OLP

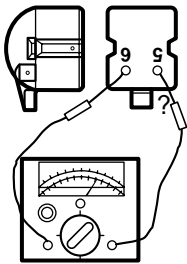
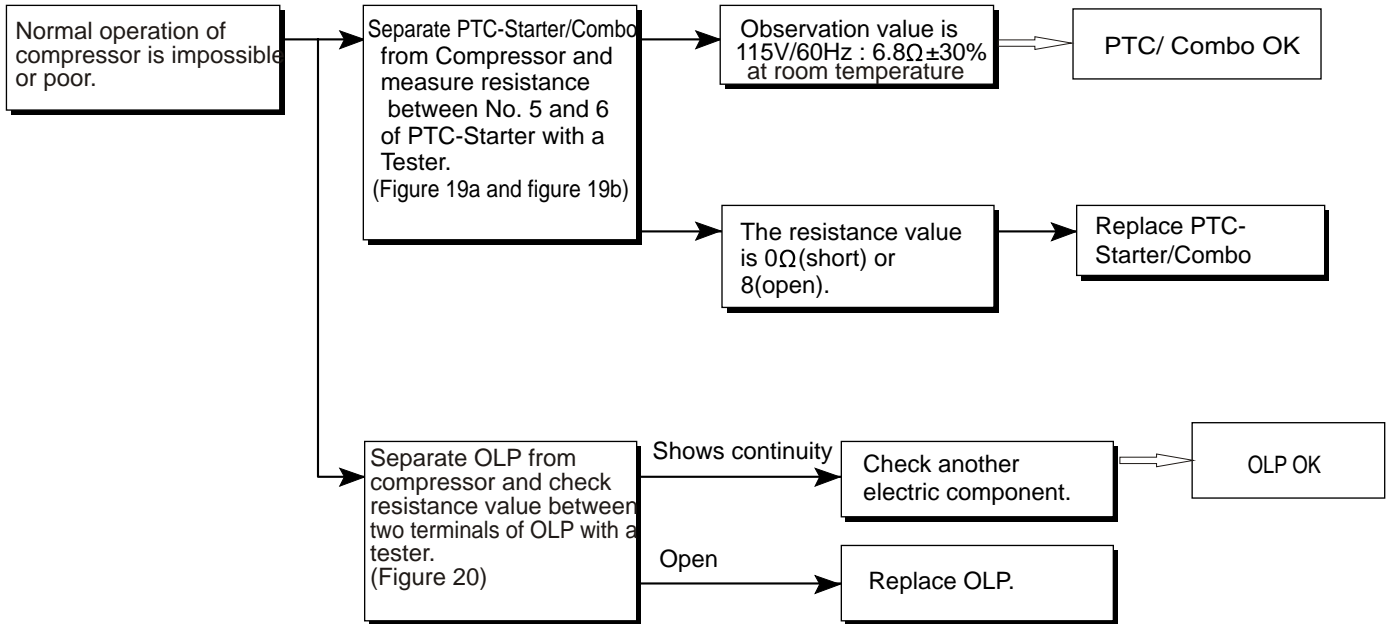


Figure 19a

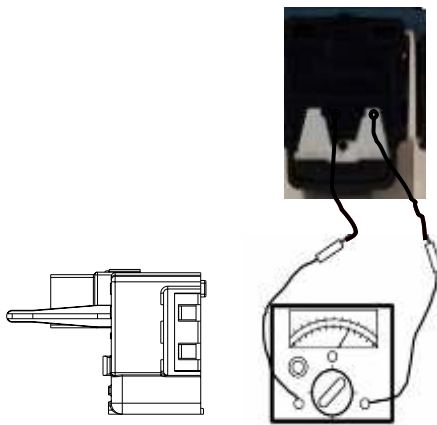


Figure 19b

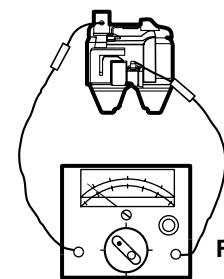
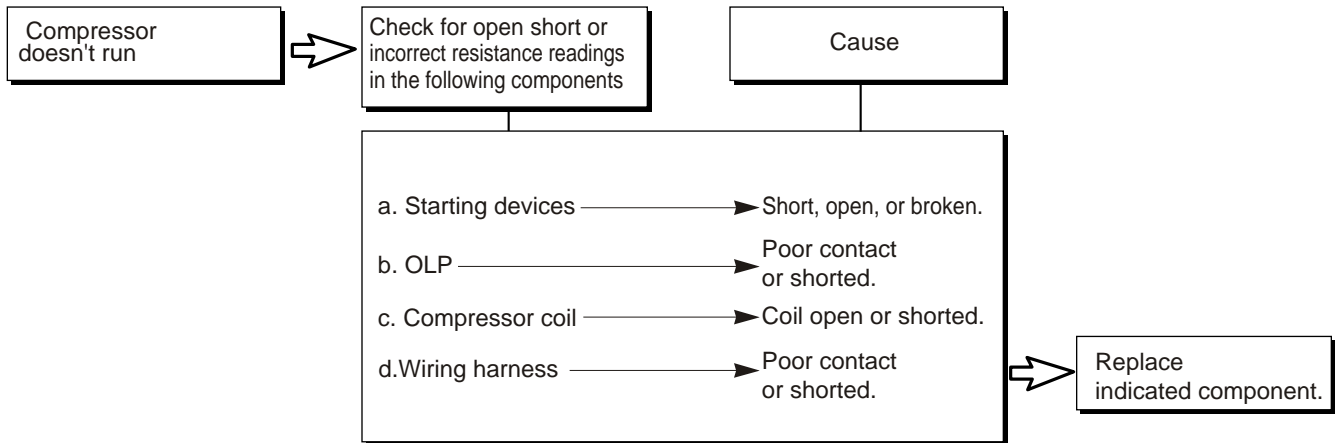


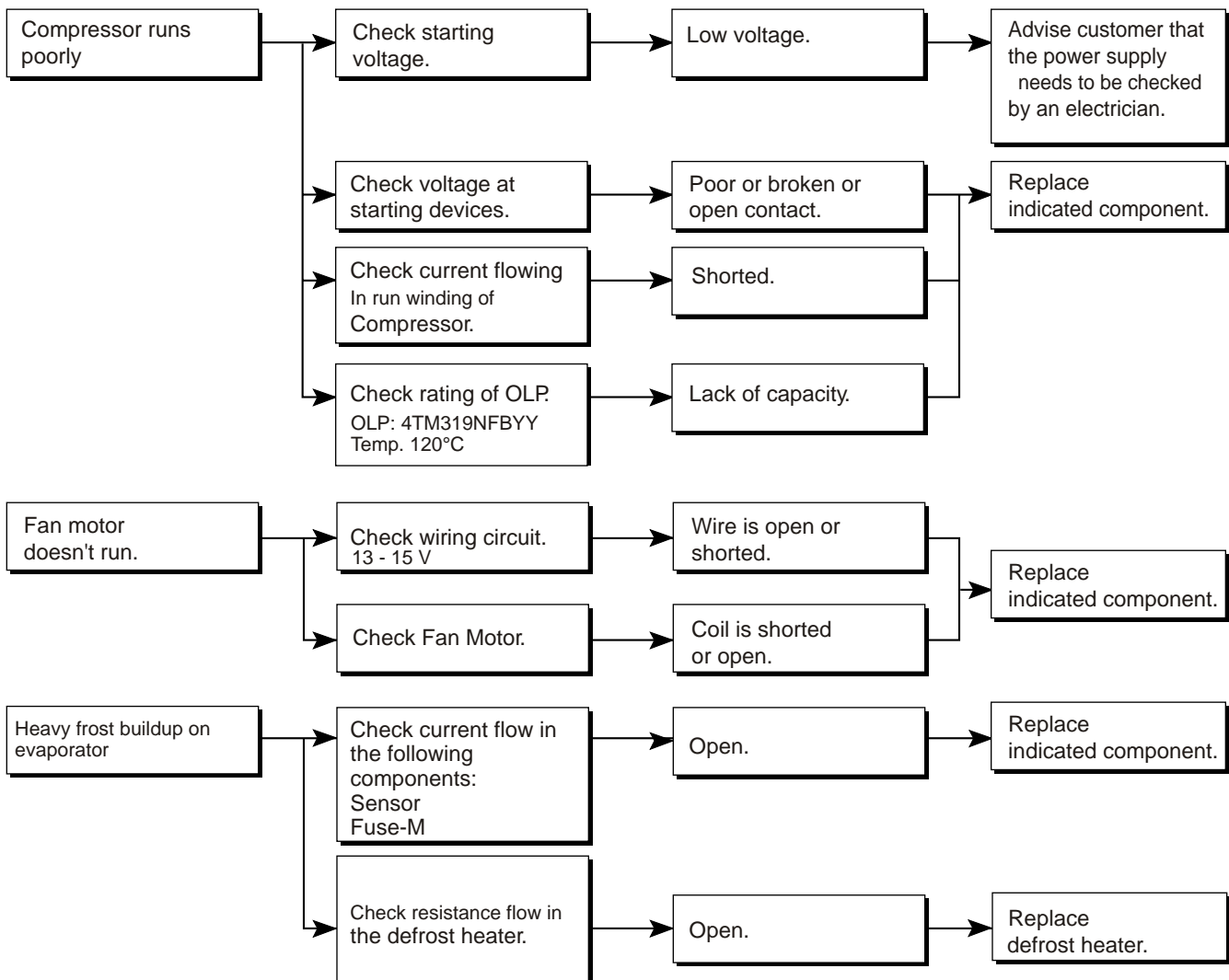
Figure 20

### 6-3 OTHER ELECTRICAL COMPONENTS

Not cooling at all



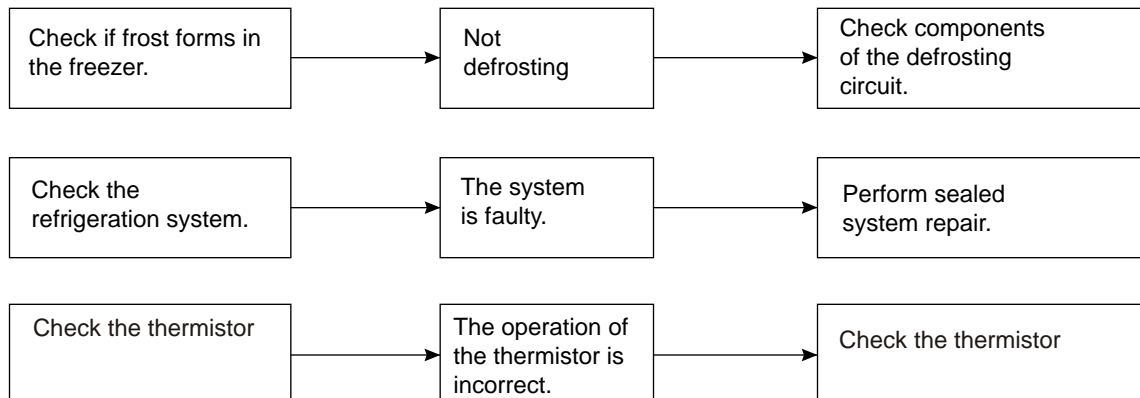
Poor cooling performance



## 6-4 SERVICE DIAGNOSIS CHART

COMPLAINT	POINTS TO BE CHECKED	REMARKS
No Cooling.	<ul style="list-style-type: none"> <li>•Is the power cord unplugged from the outlet?</li> <li>•Check if the power switch is set to OFF.</li> <li>•Check if the fuse of the power switch is shorted.</li> <li>•Measure the voltage of the power outlet.</li> </ul>	<ul style="list-style-type: none"> <li>•Plug into the outlet.</li> <li>•Set the switch to ON.</li> <li>•Replace the fuse.</li> <li>•If the voltage is low, correct the wiring.</li> </ul>
Cools poorly.	<ul style="list-style-type: none"> <li>•Check if the unit is placed too close to the wall.</li> <li>•Check if the unit is placed too close to the stove, gas cooker, or in direct sunlight.</li> <li>•Is the ambient temperature too high or the room door closed?</li> <li>•Check if food put in the refrigerator is hot.</li> <li>•Did you open the door of the unit too often or check if the door is sealed properly?</li> <li>•Check if the Control is set to Warm position</li> </ul>	<ul style="list-style-type: none"> <li>•Place the unit about 4 inches (10 cm) from the wall.</li> <li>•Place the unit away from these heat sources.</li> <li>•Lower the ambient temperature.</li> <li>•Put in foods after they have cooled down.</li> <li>•Don't open the door too often and close it firmly.</li> <li>•Set the control to Recommended position .</li> </ul>
Food in the Refrigerator is frozen.	<ul style="list-style-type: none"> <li>•Is food placed in the cooling air outlet?</li> <li>•Check if the control is set to colder position</li> <li>•Is the ambient temperature below 5° C?</li> </ul>	<ul style="list-style-type: none"> <li>•Place foods in the high-temperature section. (front part)</li> <li>•Set the control to Recommended position .</li> <li>•Set the control to Warm position .</li> </ul>
Condensation or ice forms inside the unit.	<ul style="list-style-type: none"> <li>•Is liquid food sealed?</li> <li>•Check if food put in the refrigerator is hot.</li> <li>•Did you open the door of the unit too Often or check if the door is sealed properly?</li> </ul>	<ul style="list-style-type: none"> <li>•Seal liquid foods with wrap.</li> <li>•Put in foods after they have cooled down.</li> <li>•Don't open the door too often and close it firmly.</li> </ul>
Condensation forms in the Exterior Case.	<ul style="list-style-type: none"> <li>•Check if the ambient temperature and humidity of the surrounding air are high.</li> <li>•Is there a gap in the door gasket?</li> </ul>	<ul style="list-style-type: none"> <li>•Wipe moisture with a dry cloth. It will disappear in low temperature and humidity.</li> <li>•Fill up the gap.</li> </ul>
There is abnormal noise.	<ul style="list-style-type: none"> <li>•Is the unit positioned in a firm and even place?</li> <li>•Are any unnecessary objects placed Behind side of the unit?</li> <li>•Check if the Drip Tray is not firmly attached.</li> <li>•Check if the cover of the compressor enclosure in the lower drip tray taken out.</li> </ul>	<ul style="list-style-type: none"> <li>•Adjust the leveling screw, and position the refrigerator in a firm place.</li> <li>•Remove the objects.</li> <li>•Fix the drip tray firmly in the original position.</li> <li>•Place the cover in its original position.</li> </ul>
Door does not close well.	<ul style="list-style-type: none"> <li>•Check if the door gasket is dirty with an item like juice.</li> <li>•Is the refrigerator level?</li> <li>•Is there too much food in the refrigerator?</li> </ul>	<ul style="list-style-type: none"> <li>•Clean the door gasket.</li> <li>•Position in a firm place and level the leveling screw.</li> <li>•Make sure food stored in shelves does not prevent the door from closing.</li> </ul>
Ice and foods smell unpleasant.	<ul style="list-style-type: none"> <li>•Check if the inside of the unit is dirty.</li> <li>•Are foods with a strong odor unwrapped?</li> <li>•The unit smells of plastic.</li> </ul>	<ul style="list-style-type: none"> <li>•Clean the inside of the unit.</li> <li>•Wrap foods that have a strong odor.</li> <li>•New products smell of plastic, but this will go away after 1-2 weeks.</li> </ul>

Other possible problems:

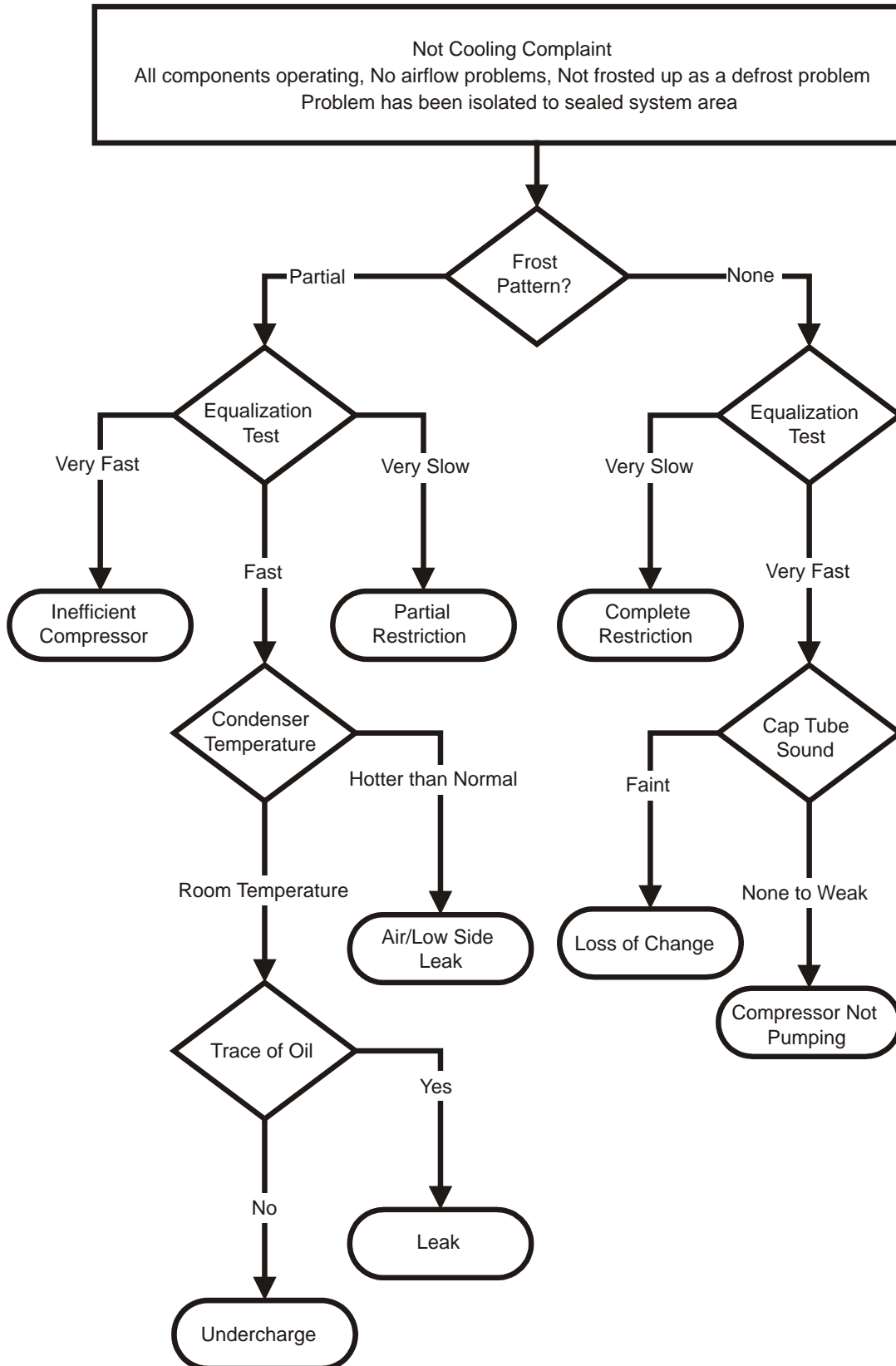


## 6-5 REFRIGERATION CYCLE

### \* Troubleshooting Chart

CAUSE		STATE OF THE UNIT	STATE OF THE EVAPORATOR	TEMPERATURE OF THE COMPRESSOR	REMARKS
LEAKAGE	PARTIAL LEAKAGE	Freezer compartment and refrigerator don't cool normally	Low flowing sound of refrigerant is heard and frost forms in inlet only.	A little higher than Room temperature.	- Refrigerant level is low due to a leak. - Normal cooling is possible by restoring the normal amount of refrigerant and repairing the leak.
	COMPLETE LEAKAGE	Freezer compartment and refrigerator don't cool normally	Flowing sound of refrigerant is not heard and frost isn't formed.	Equal to room temperature.	- No discharging of refrigerant. - Normal cooling is possible by restoring the normal amount of refrigerant and repairing the leak.
RESTRICTION	CLOG	Freezer compartment and refrigerator don't cool normally	Flowing sound of refrigerant is heard and frost forms in inlet only.	A little higher than Room temperature.	- Normal discharging of the refrigerant. - The capillary tube is faulty.
	CLOG	Freezer compartment and refrigerator don't cool.	Flowing sound of refrigerant is not heard and frost isn't formed.	Equal to room temperature.	- Normal discharging of the refrigerant.
MOISTURE RESTRICTION		Cooling operation stops periodically.	Flowing sound of refrigerant is not heard and frost melts.	Lower than room temperature.	- Cooling operation restarts when heating the inlet of the capillary tube.
INEFFICIENT COMPRESSOR	LOW COMPRESSION	Freezer and refrigerator don't cool.	Low flowing sound of refrigerant is heard and frost forms in inlet only.	A little higher than Room temperature.	- Low pressure at high side of compressor due to low refrigerant level.
	NO COMPRESSION	No compressing operation.	Flowing sound of refrigerant is not heard and there is no frost.	Equal to room temperature	- Nopressure in the high pressure part of the compressor.

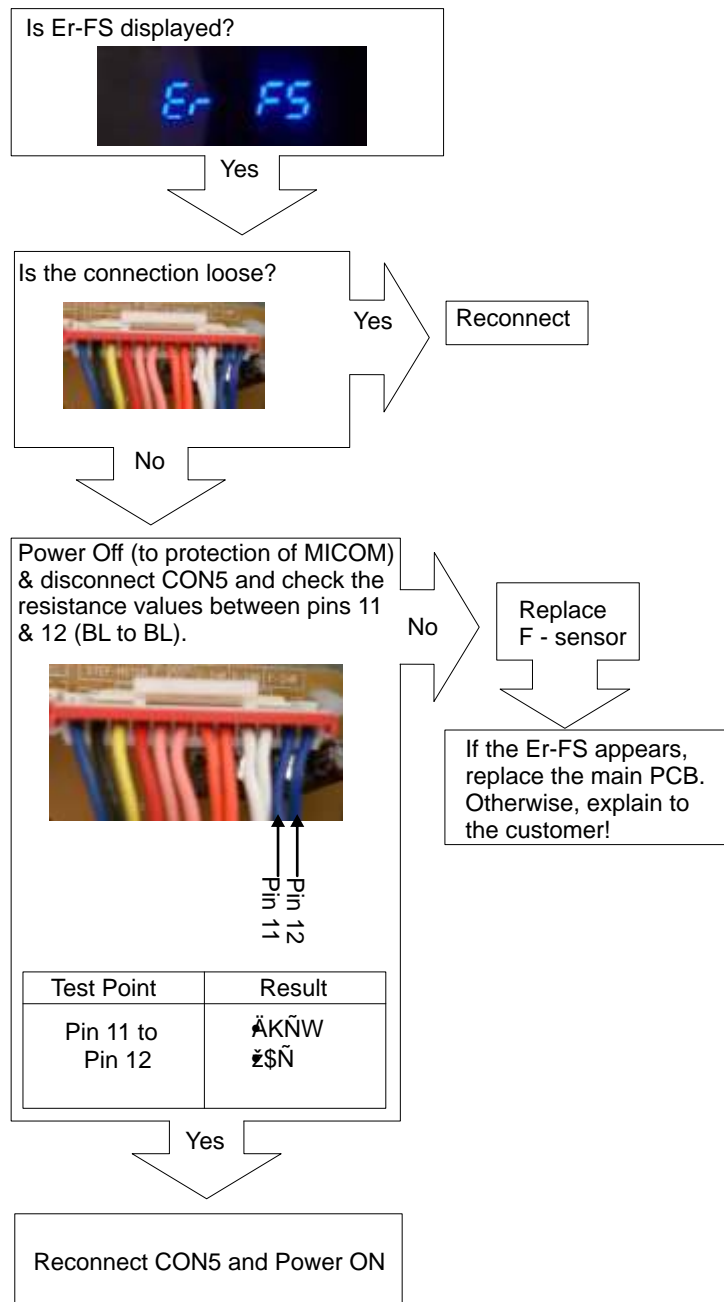
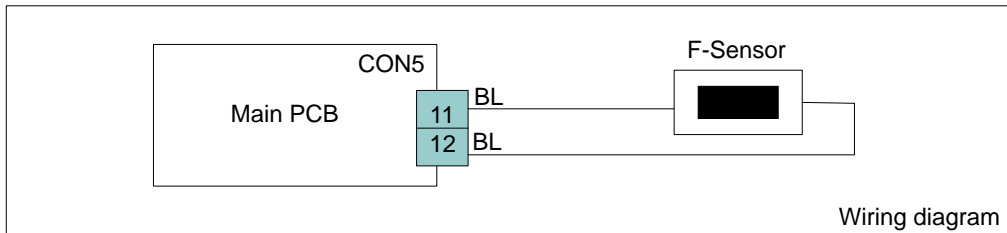
## 6-5-1 SEALED SYSTEM DIAGNOSIS



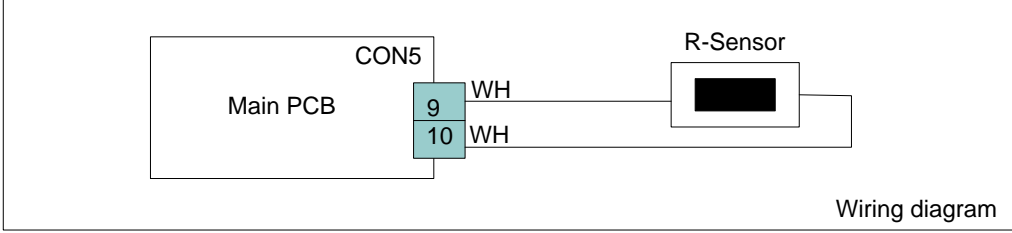
(The equalization test is trying to restart a compressor after it has been operating.)

## 6-6 Troubleshooting with Error

### Freezer Sensor Error



Refrigerator Sensor Error



Is Er-rS displayed?

Yes

Is the connection loose?

Yes → Reconnect

No

Power Off (to protection of MICOM) & disconnect CON5 and check the resistance values between pins 9 & 10 (WH to WH).



Pin 9  
Pin 10

No → Replace R - sensor

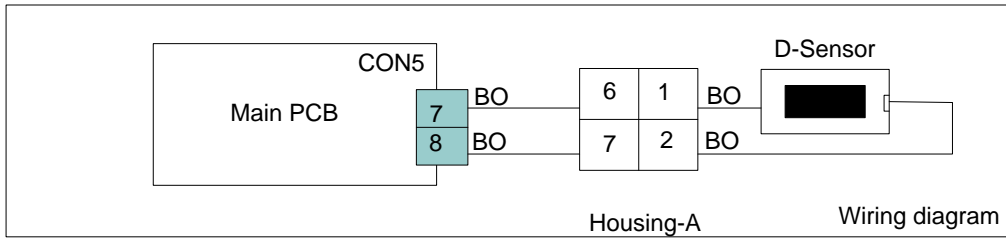
If the Er-rS appears, replace the main PCB. Otherwise, explain to the customer!

Test Point	Result
Pin 9 to Pin 10	∞K± ±\$N

Yes

Reconnect CON5 and Power ON

Defrost Sensor Error



Is Er-dS displayed?

Yes

Is the connection loose?

Yes

Reconnect

No

Power Off (to protection of MICOM) & disconnect CON5 and check the resistance values between pins 7 & 8 (BO to BO).



Pin 7  
Pin 8

Test Point	Result
Pin 7 to Pin 8	∞ ∞Hz

Yes

Reconnect CON5 and Power ON

Retire the back panel of the freezer compartment, and identify the connection of D-Sensor (Housing A), Is the connection loose?



Yes

Reconnect

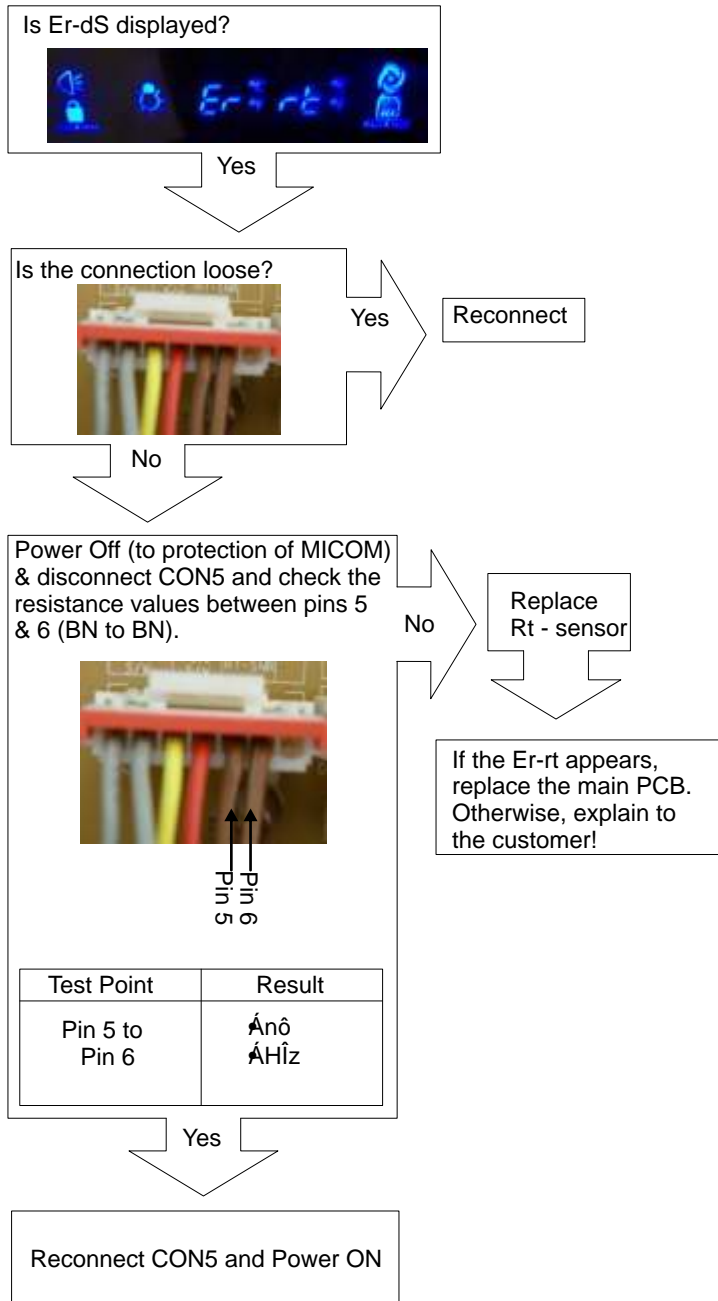
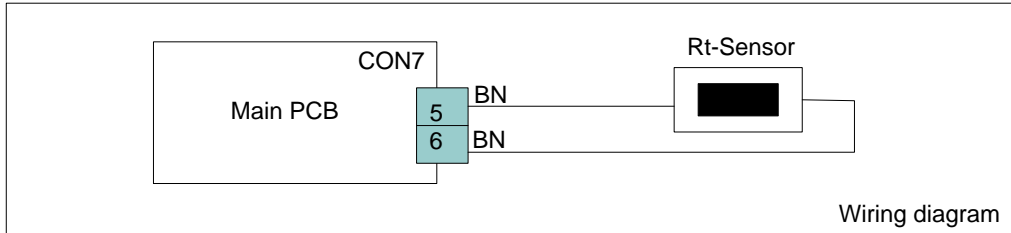
No

Replace D - sensor

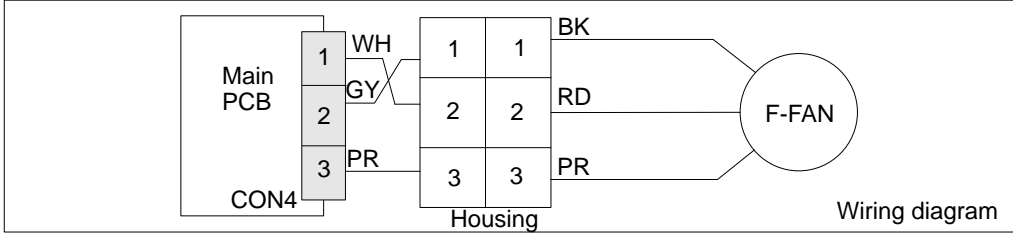
If the Er-dS appears, replace the main PCB. Otherwise, explain to the customer!



Room Temp Sensor Error




Freezer Fan Error



Is Er-FF displayed?  


Yes

Is the connection loose?  


Yes

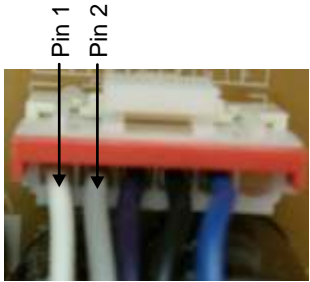
Reconnect

No

Reset and Enter the TEST 1 MODE  
 Is the output voltage between pin 1 and pin 2 of CON4 like as below?

No


Replace Main PCB



Freezer Fan Voltages

Test Point	Result
Pin 1 to Pin 2	12~16 V

Yes

Does the cold-air come out of the top of the main duct?  


No

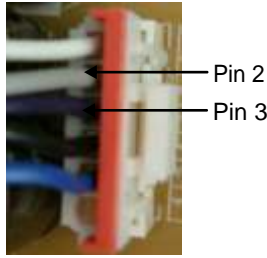
See next page

Yes

Is the feedback voltage between pin 2 & pin 3 of CON4 like as below?  
 (from motor to main board)

No

Replace Main PCB



Feedback Voltages

Test Point	Result
Pin 2 to Pin 3	1~4 V

Yes

Explain to the customer!

Freezer Fan Error

Disassembly the back panel of the Freezer compartment, and identify the connector of the freezer fan, is the connection loose?



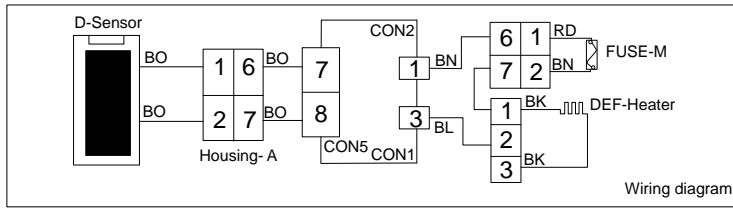
Yes

Reconnect

No

Replace PCB.  
If the Er-FF appears,  
replace the main PCB.  
Otherwise, explain to  
the customer!

Defrost Heater Error



Is Er-dH displayed?



Yes

Are the connections loose?



CON5



CON2

Yes

Reconnect

No

Enter the TEST 3 MODE  
Is the voltage value between CON2 pin1 (BN) and CON1 pin3 (BL) 115V AC?



CON1  
PIN3



CON2  
PIN1

No

Replace MAIN PCB

Yes

RESET TEST 3 MODE  
Is the voltage value between 0 ~ 2 V AC



CON1  
PIN3

CON2  
PIN1

No

Replace Main PCB

Yes

Disassembly the back panel of the freezer compartment and identify the connector of the Defrost Heater and Defrost Sensor. Are this connectors loose?



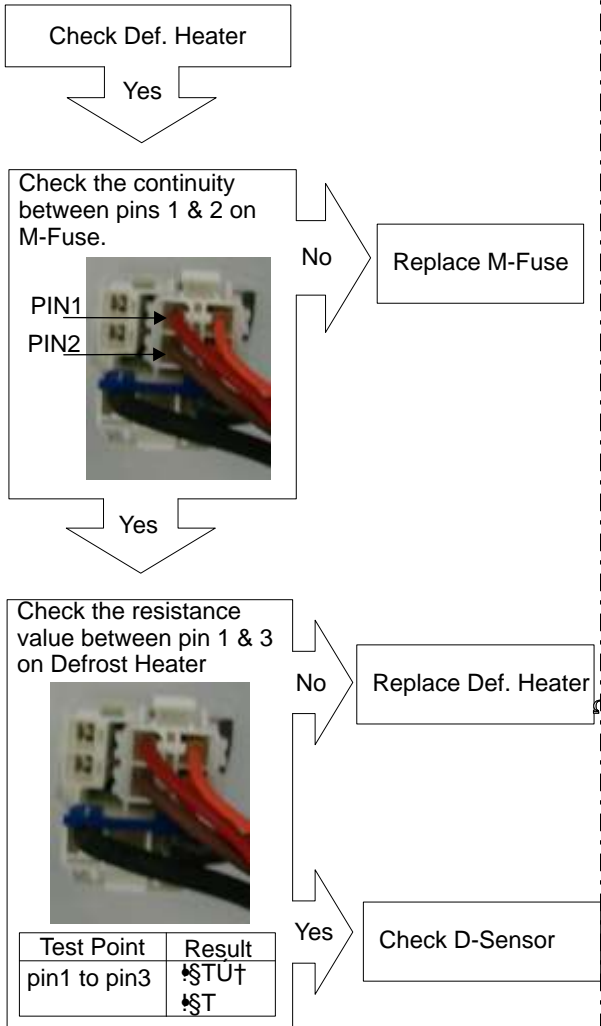
No

Check Def. Heater

Yes

Reconnect

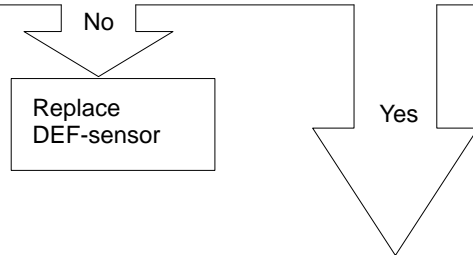
Defrost Heater Error



Is the resistance value of DEF-sensor like as below?  
It depends on the temperature.

Defrost Sensor Resistance

Test Point	Result	Test Point	Result
- 30°	∞	10°	∞
- 20°	∞	20°	∞
- 10°	∞	30°	∞
0°	•	40°	∞

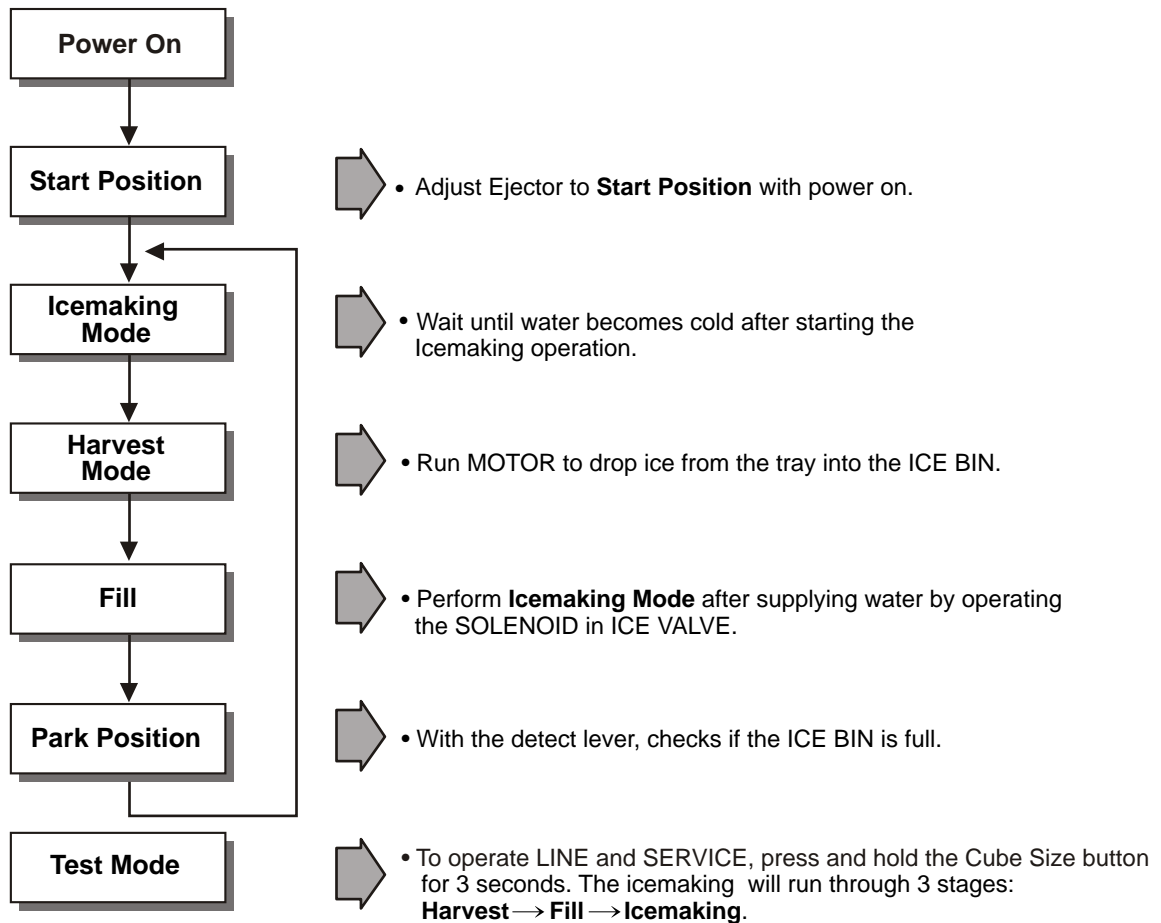


Explain to the customer!  
: It can be occurred, when the gasket is not stuck to roduct or when you put the high temperature loads (hot foods) a lot in the product.

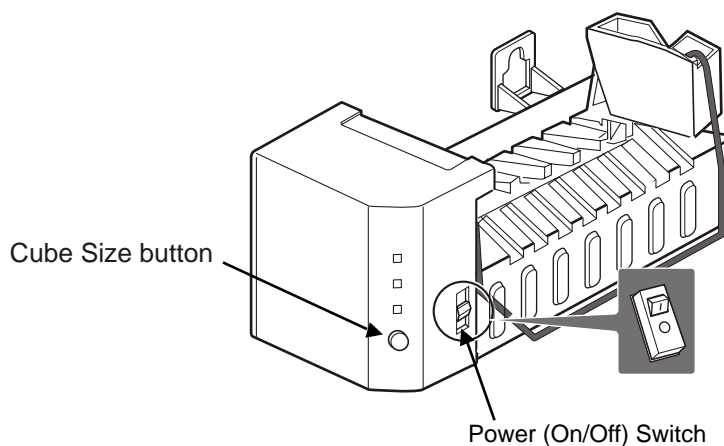
# 7. ICEMAKER OPERATING PRINCIPLES AND REPAIR

## 7-1 OPERATION PRINCIPLE

### 7-1-1 Operation Principle of Icemaker



1. Turning the Icemaker stop switch off (O) stops the icemaking function.
2. Setting the Icemaker switch to OFF and then turning it back on will reset the icemaker control.



## 7-2 ICE MAKER FUNCTIONS

### 7-2-1 Ice Making Mode

1. Icemaking refers to the freezing of supplied water in the ice trays. Complete freezing is assured by measuring the temperature of the Tray with icemaking SENSOR.
2. Icemaking starts after completion of the water fill operation.
3. The icemaking function is completed when the sensor reaches -7°C, 60 to 240 minutes after starting.

**NOTE** :After icemaker power is ON, the icemaker heater will be on for test for 9 sec.

### 7-2-2 Harvest Mode




1. Harvest (Ice removing) refers to the operation of dropping ices into the ice bin from the tray when icemaking has completed.
2. Harvest mode:
  - (1) The Heater is ON for 30 seconds, then the motor starts.
  - (2) Harvest mode is completed if it reaches start position again while Heater & Motor are on at the same time.
    - A. ice bin is full : The EJECTOR stops (heater off).
    - B. ice bin is not full : The EJECTOR rotates twice to open for ice.

**NOTE** :If the EJECTOR does not rotate once within 5 minutes in status (2), separate heater control mode starts operating to prevent the EJECTOR from being constrained. (It is recommended that the user open for ice to return to normal mode.)

### 7-2-3 Fill/Park Position

1. Once a normal harvest mode has been completed, the water solenoid will be activated.
2. The amount of water is adjusted by pressing the fill key repeatedly. This changes the time allowed for fill as illustrated in the table below.

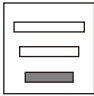




**Water supply amount table**

STAGE	TIME TO SUPPLY	INDICATIONS	REMARKS
1	6 sec.		The water amount will vary depending on the water control switch setting, as well as the water pressure of the connected water line.
2	7 sec.		
3	8 sec.		

## 7-2-5 Function TEST



1. This is a compulsory operation for test, service, cleaning, etc. It is operated by pressing and holding the Cube Size button for 3 seconds.
2. The test works only in the Icemaking Mode. It cannot be entered from the Harvest or Fill mode. (If there is an ERROR, it can only be checked in the TEST mode.)
3. Caution! If the test is performed before water in the icemaker is frozen, the ejector will pass through the water. When the fill mode begins (Stage 4), unless the water supply has been shut off, added water will overflow into the ice bin. If the control Doesn't operate normally in the TEST mode, check and repair as needed.
4. After water is supplied, the normal CYCLE is followed: icemaking ⇒ Harvest ⇒ Fill ⇒ Park Position
5. Five seconds after Stage 5 is completed, the icemaker returns to MICOM control. The time needed to supply water resets to the pre- test setting.

### Diagnosis TABLE

STAGE	ITEMS	INDICATOR *	REMARKS
1	HEATER		Five seconds after heater starts, heater will go off if temperature recorded by sensor is 10°C (50°F) or lever is in up position.
2	MOTOR		Five seconds after heater starts, you can confirm that motor is moving.
3	HALL IC (TRAY)		You can confirm Hall IC detection of position.
4	SOLENOID VALVE		Two seconds after detection of initial position, you can confirm that valve is on.
5	HALL IC (LEVER)		You can check when the Hall IC is sensing a full ice condition. (If there is a water fill error, the fifth LED is not on.)
6	Reset	Return to Status prior to TEST MODE	Five seconds after fifth stage is completed, the icemaker resets to initial status.

## 7-3 DEFECT DIAGNOSIS FUNCTION

### 7-3-1 ERROR CODES shown on Ice Maker water supply control panel

NO	DIVISION	INDICATOR	PROBLEM	REMARKS
1	Normal	Note fill times (see previous page)	None	Display switch operates properly
2	Icemaking Sensor malfunction		Open or shorted wire or sensor	Make sure that the wire on each sensor is connected.
3	Icemaker Kit malfunction		Ejector blades have not reached the park position after 18 minutes from start of harvest mode	Check HALL IC/MOTOR/ HEATER/RELAY

\* ERROR indicators in table can be checked only in TEST mode.

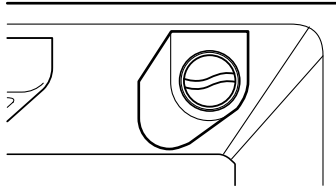


# 8. WATER FILTER

## 8.1 WATER FILTER CARTRIDGE REPLACEMENT

FILTER (on some models)

It is recommended that you replace the filter when the water filter indicator light turns on or your water dispenser or ice maker decreases noticeably.



After changing the water filter cartridge, reset the water filter status display and indicator light by pressing and holding the **BUTTON** for 3 seconds.

How to change the old cartridge.

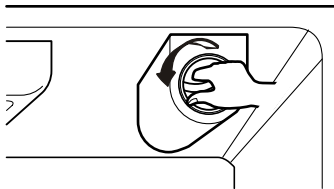
1. Turn the shut off valve off (house valve)\*



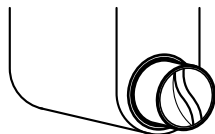
2. Dispense water from the system to empty the tubing (approximately for 50 seconds).\*



3. Remove the old cartridge.  
Rotate the knob of the cartridge counter clockwise.



When the cartridge is removed, it will click out of place.



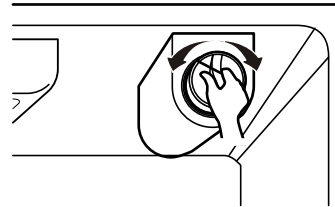
**NOTE:** There will be water in the cartridge. Some spilling may occur through the hole at rear bottom side of cover. You may use a cup or something like that to prevent spilt water drop into food.

Pull out the cartridge.



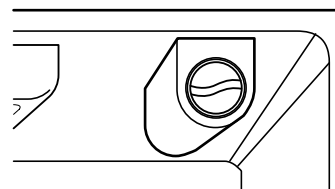
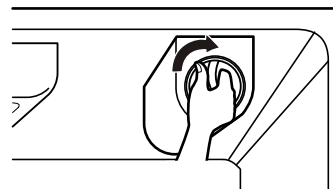
4. Replace with a new cartridge.

Take the new cartridge out of its packaging and remove protective cover from the o-rings. With cartridge knob in the vertical position, push the new filter cartridge into the cover until it stops.

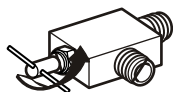


If you can't turn the filter from side to side, it isn't fully inserted. Push it in firmly and twist it into place. You will hear it click into place.

Using its handle, twist the cartridge clockwise about 1/4 turn. You will hear when it clicks into place.



5. Turn the shut off valve on (house valve)\*



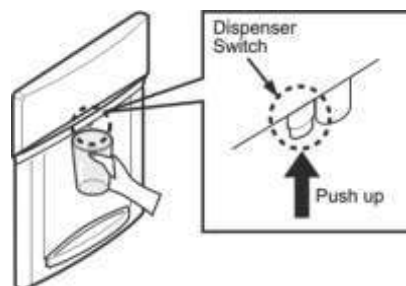
NOTE: To purchase replacement water filter cartridges, visit your local appliance dealer or part distributor.

6. Flush water out from the system until air gets eliminated and water start to dispense (approximately for 60 seconds).\*

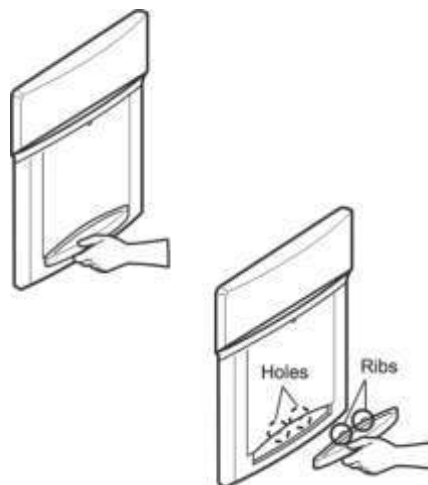


\*Steps 1, 2, 5 & 6 only for models with water dispenser.

## 8.2 WATER DISPENSER (on some models)



1. Push up the dispenser switch with a cup until you hear click to get cold water.  
Try can be easily removed by pressing and pull in git.



2. Tilt up the front of tray slightly and snap the ribs in the holes to replace the tray.

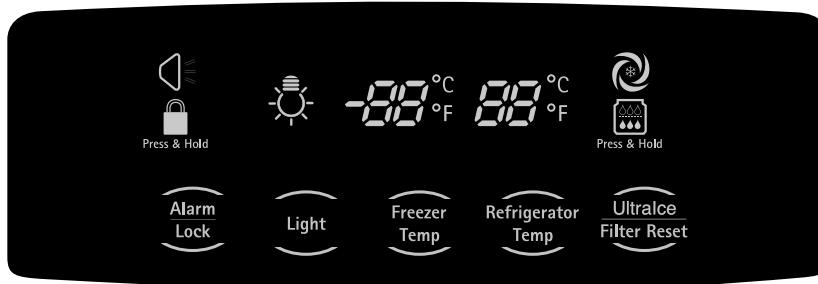
Important: If no water dispensed when the refrigerator is first installed, there may be air in the water line system. Press the dispenser switch for at least two minutes to remove trapped air from the water line and to fill the water system.

# 9. DESCRIPTION OF FUNCTION & CIRCUIT OF MICOM

## 9-1 FUNCTION

### 9-1-1 Function

- When the appliance is plugged in, it is set to "37" for Refrigerator and "0" for freezer.  
You can adjust the Refrigerator and the Freezer control temperature by pressing the ADJUST button.
- When the power is initially applied or restored after a power failure, it is automatically set to "37" & "0".

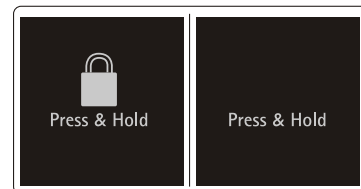


### 9-1-2 How to Change the Temperature Mode to °F / °C

- The setting temperature mode can be changed to °F / °C by pressing and holding Freezer Temp. key of Freezer and Refrigerator Temp. key of Refrigerator over 5 seconds at the same time.
- The initial setting is °F. Whenever the mode is changed, the LED lights are changed.

### 9-1-3 Lock function (dispenser and display button lock)

- In power application of refrigerator, the "LOCK" icon is turned off at the upper side of lock graphic of display with the lock release status.
- If desiring to lock the display the dispenser and control panel push on the LOCK button more than 3 seconds. LOCK text is turned on at the upper side of lock graphic of display with lock status.
- The buzzer sound and control panel and dispenser function is not performed even if pressing display button other than lock key in the lock status.
- If desiring to release the lock status and pressing the lock button more than 3 seconds. "LOCK" icon is turned off at the upper side of lock graphic of display with the lock release status.



Ex) In selecting "LOCK"

Ex) In selecting "LOCK" again

### 9-1-4 Filter condition display function

- There is a replacement indicator icon for the water filter cartridge on the dispenser.
- Water filter needs replacement once six months or about 28,000 seconds of using water filter.
- Water filter light turns on to tell you need to replace the filter soon.
- After replace the filter, press and hold the Filter Reset Button more than 3 seconds.  
Then water filter icon turns off with reset status.



Classification

Classification	In initial Power On / Filter RESET	Replace indicator light on
Filter Status Display		

### 9-1-5 Ultra Ice selection

Please select this function for prompt freezer.

- Function is repeated following below whenever pressing Ultra Ice button.
- Ultra Ice function automatically turns off if a fixed time passes.



### 9-1-6 Control of freezer fan motor

1. Freezer fan motor has high and standard speeds.
2. High speed is used at power-up, for Ultra Ice, and when refrigerator is overloaded.  
Standard speeds is used for general purposes.
3. To improve cooling speed, the RPM of the freezer fan motor change from normal speed to high.
4. High speed (2700RPM) : Initial power on or load corresponding operation, Ultra Ice.  
Normal speed (2400RPM) : General working conditions.
5. Fan motor stops when refrigerator or freezer door opens.

### 9-1-7 Ultra Ice

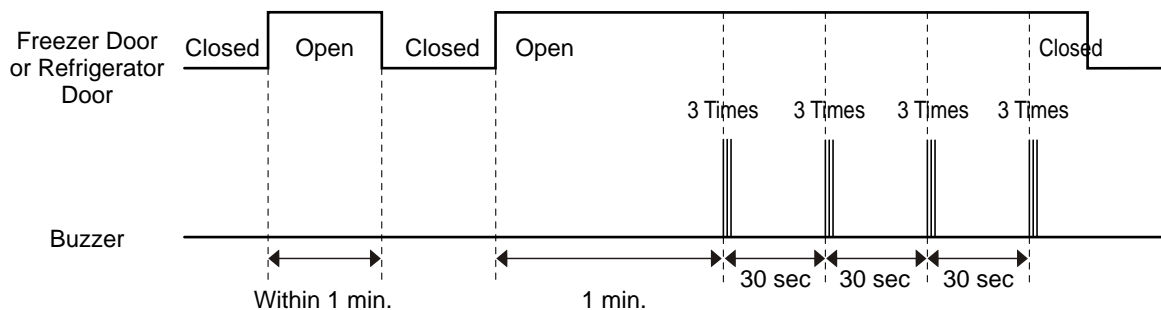
1. The purpose of this function is to intensify the cooling speed of freezer and to increase the amount of ice.
2. When Ultra Ice is selected, LED will remain ON for Ultra Ice Cycle.
3. If power is lost to the refrigerator, Ultra Ice function will be canceled.
4. To activate this function, to press the Ultra Ice key and the LED will turn ON. This function will remain activated for 24 hrs. The first three hours the compressor and Freezer Fan will be ON. The next 21 hours the freezer will be controlled at the lowest temperature. After 24 hours or if the Ultra Ice key is pressed again, the freezer will return to its previous temperature.
5. For the first three hours notice the following cases:
  - (1) Compressor and freezer fan (HIGH RPM) continuously operate for three hours.
  - (2) If defrost starts during Ultra Ice, Ultra Ice operates for the rest of time after defrost is completed, when Ultra Ice operation time is less than 90 minutes.  
If Ultra Ice operates for more than 90 minutes, the Ultra Ice will operate for two hours after defrost is completed.
  - (3) If Ultra Ice is pressed during defrost, Ultra Ice LED is on but this function will start seven minutes after defrost is completed and it shall operate for three hours.
  - (4) If Ultra Ice is selected within seven minutes after compressor has stopped, the compressor (compressor delays seven minutes) shall start after the balance of the delay time.
  - (5) The fan motor in the freezer compartment runs at high speed during Ultra Ice .
6. For the rest of the 21 hours, the freezer will be controlled at the lowest temperature.

### 9-1-8 Refrigerator lamp auto off

1. To avoid heat damage caused by the lamp, it is turned off automatically when the refrigerator door is open for more than 7 minutes.

### 9-1-9 Alarm for Open Door

1. This feature sounds a buzzer when the freezer or refrigerator door is not closed within 1 minute after it is opened.
2. One minute after the door is opened, the buzzer sounds three times each for 1/2 seconds. These tones repeat every 30 seconds.
3. The alarm is cancelled when the freezer or the refrigerator is closed while the buzzer sounds.



---

### **9-1-10 Buzzer Sound**

When the button on the front Display is pushed, a Ding~ Dong~ sound is produced.

### **9-1-11 Defrost cycle**

1. A defrost cycle will be initiated after 4 hours of accumulated compressor run time after the initial power up or a power failure.
2. After the initial defrost, the defrost cycle is initiated after 7 hours of accumulated compressor run time.
3. The defrost cycle will be terminated once the defrost sensor reaches 46°F(8 °C).

### **9-1-12 Filter Replacement Indication**

1. In 6 months after the UNIT (refrigerator) is power on, or after 28,000 seconds of dispenser use, the water filter icon is ON.
2. When the water filter indicator LED is illuminated, you should change the water filter. After this, you must press the water filter button for three seconds and you will hear a ding-dong sound.  
The icon will be OFF. This operation will indicate that the UNIT is reset to its initial conditions, so this process is restarted.

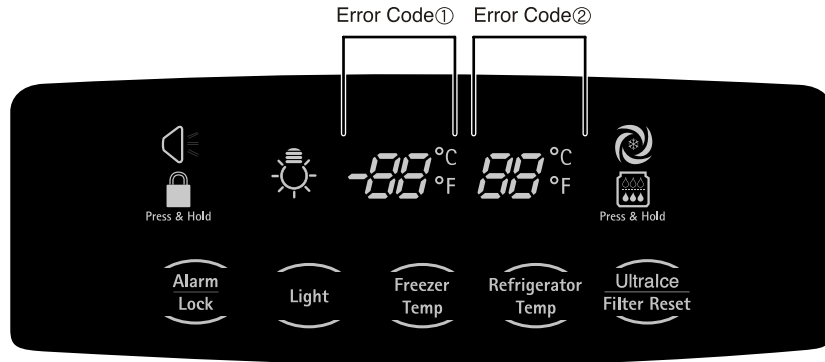
### **9-1-13 Dispenser light**

Please select this function for DISPENSER LIGHT MODE.

1. Normal status (LIGHT icon is OFF) : When dispenser is operated, DISPENSER LIGHT is ON.
2. ON status (LIGHT icon is ON) : DISPENSER LIGHT is on continuously

## 9-1-14 Automatic Diagnosis Function

1. Automatic diagnosis makes servicing the refrigerator easy.
2. When an error occurs, the buttons will not operate; but the tones, such as ding, will sound.
3. When the error CODE removes the sign, it returns to normal operation (RESET).
4. The error CODE shows on the Refrigerator and Freezer Display.



ERROR CODE on display panel

NO	ITEM	ERROR CODE		CONTENTS	REMARKS
		①	②		
1	Failure of freezer sensor	Er	FS	Cut or short circuit wire	Inspect Connecting wires on each sensor
2	Failure of Refrigerator sensor	Er	rS	Cut or short circuit wire	
3	Failure of defrost sensor	Er	dS	Cut or short circuit wire	
4	Failure of Room Temperature sensor	"Er rt" only available in LED check function**		Cut or short circuit wire	
5	Failure of defrost mode	Er	dH	When defrost sensor doesn't reach 46°F(8°C) within 1 hour after starting defrost	Snapping of defrost heater or Temperature fuse, pull-out of connector (indicated minimum 1 hour after failure occurs)
6	Failure of BLDC Fan Motor at Freezing Compartment	Er	FF	If there is no fan motor signal for more than 115sec in operation fan motor	Poor motor, hooking to wires of fan, contact of structures to fan, snapping or short circuit of Lead wires
7	Failure of BLDC Fan Motor a Mechanical Room	Er	CF	If there is no fan motor signal for more than 115sec in operation fan motor	Poor motor, hooking to wires of fan, contact of structures to fan, snapping or short circuit of Lead wires

\*\*LED check function: Press simultaneously "Ultra Ice" and "Freezer Temp" buttons for one second or longer, every LED on the display turns on. When the buttons are released the previous mode is restored.

## 9-1-15 TEST Mode

1. The Test mode allows checking the PCB and the function of the components as well as finding out the defective part in case of an error.
2. The test mode is operated by pressing two buttons at Display panel.
3. While in the test mode, the function control button is not recognized, but the recognition tone (beep~) sounds.
4. After exiting the test mode, be sure to reset by unplugging and then plugging in the appliance.
5. If an error, such as a sensor problem, is detected while in the test mode, the test mode is cleared and the error code is displayed.
6. While an error code is displayed, the test mode will not be activated.

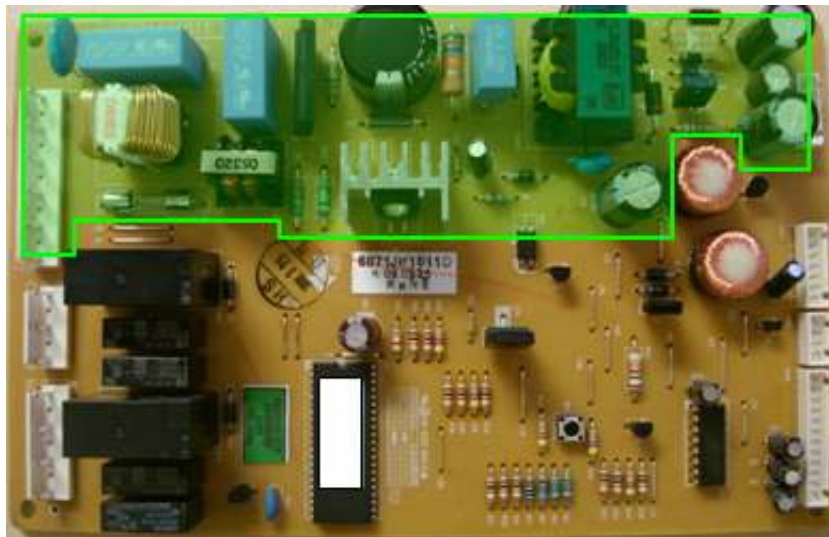
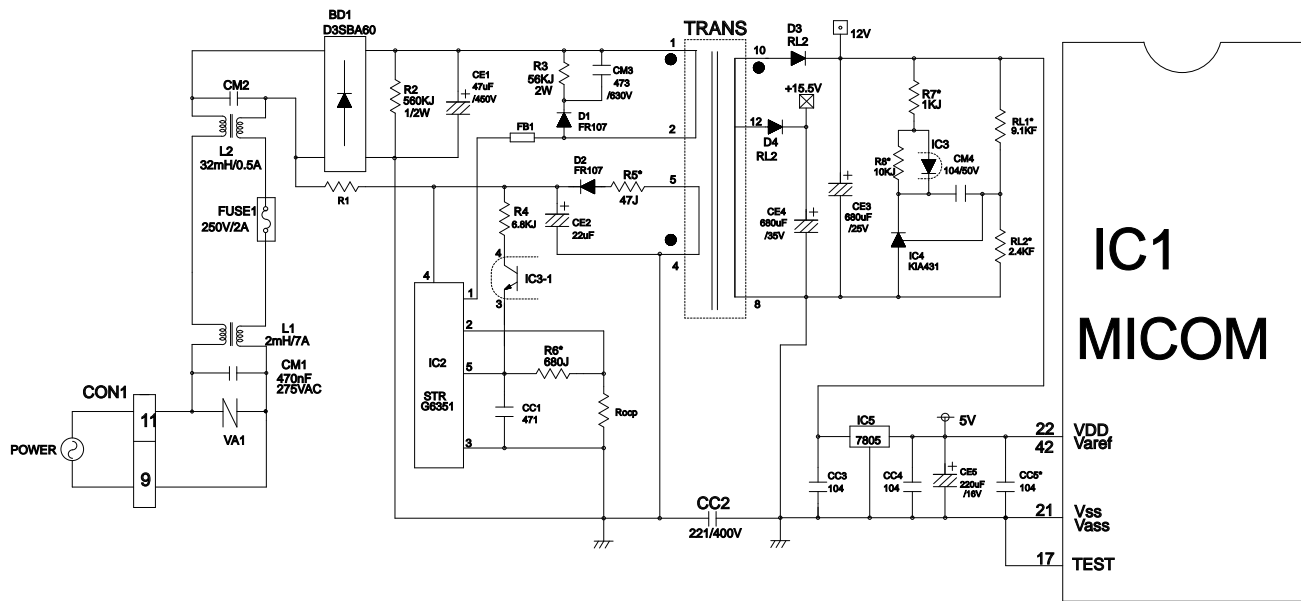
MODE	OPERATION	CONTENTS	REMARKS
TEST1	Push TEST Switch once.	1) Continuous operation of the COMPRESSOR and the Freezer fan 2) Stepping DAMPER OPEN 3) Defrosting HEATER OFF 4) DISPLAY LED all ON	Maximum test time: 5 minutes
TEST2	Push TEST Switch once in TEST MODE 1	1) Continuous operation of the COMPRESSOR and the Freezer fan 2) Stepping DAMPER CLOSE 3) Defrosting HEATER OFF 4) DISPLAY LED shows no. 2	Maximum test time: 5 minutes
TEST3	Push TEST Switch once in TEST MODE 2	1) COMPRESSOR and the Freezer fan OFF 2) Stepping DAMPER CLOSE 3) Defrosting HEATER ON 4) DISPLAY LED shows no. 3	Reset if the Temperature of the Defrosting Sensor is 46°F(8°C) or more.
RESET	Push TEST Switch once in TEST MODE 3	Reset to the previously setting Before TEST MODE.	The compressor will Start after a 7-minute Delay. Maximum test time: 1 hour

### \* Demonstration MODE:

1. Open any door to enter to this mode.
2. Press the Ultra Ice button and Refrigerator Temp button simultaneously for more than 5 seconds.
3. The display shows the Demo graphic. (The word "OFF" appears on the display)
4. In this status all loads are OFF (Compressor/ Fan/ Damper/ Heater)  
(Even is Demonstration Mode. The refrigerator lamp automatic off function works normally and can be demonstrated).
5. Exit Demonstration mode and reset Display by pressing Ultra ice button and Refrigerator Temp button simultaneously for more than 5 seconds.

## 9-2 PCB FUNCTION

### 9-2-1 Power Circuit



The secondary part of the TRANSFORMER is composed of the power supply for the display, the BLDC FAN Motor drive (15.5 V), the relay drive (12 Vdc) and the MICOM and IC (5 Vdc).

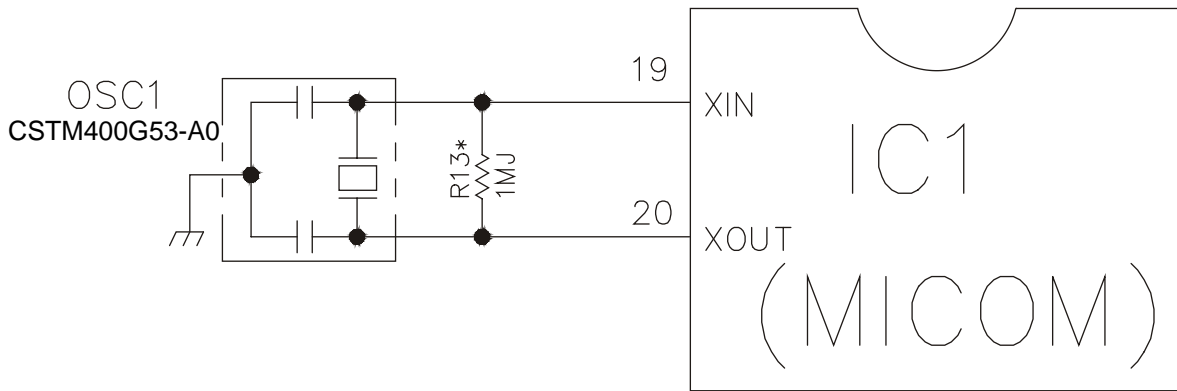
The voltage for each part is as follows:

PART	VA 1	CE 3	CE 4	CE 5
VOLTAGE	115 Vac	12 Vdc	15.5 Vdc	5 V

VA1 is a part for preventing over voltage and noise. When 385V or higher power is applied, the inside elements are short-circuited and broken, resulting in blowout of the fuse in order to protect the elements of the secondary part of the TRANSFORMER.

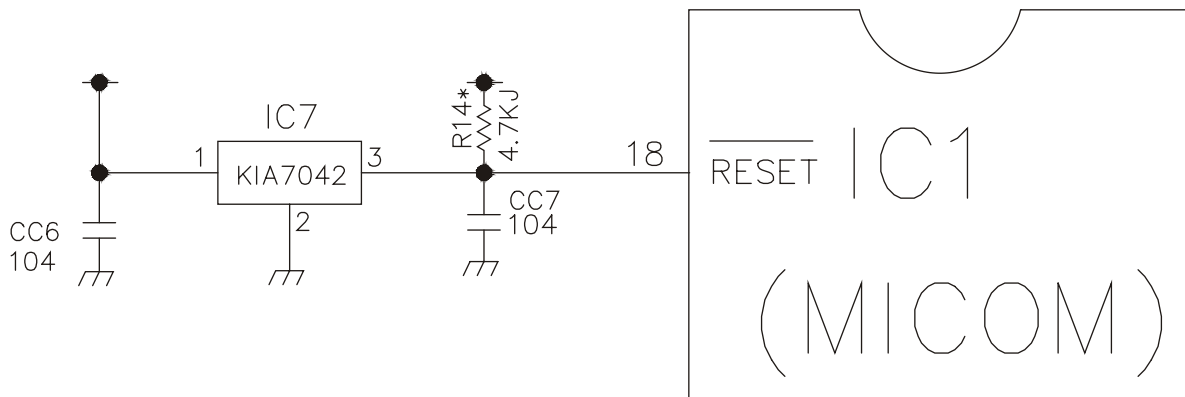


### 9-2-2 Oscillation Circuit



This circuit generates the base clock for calculating time and the synchro clock for transmitting data from and to the inside logic elements of the IC1 (MICOM). Be sure to use specified replacement parts, since calculating time by the IC1 may be changed. If changed, the OSC1 SPEC will not work.

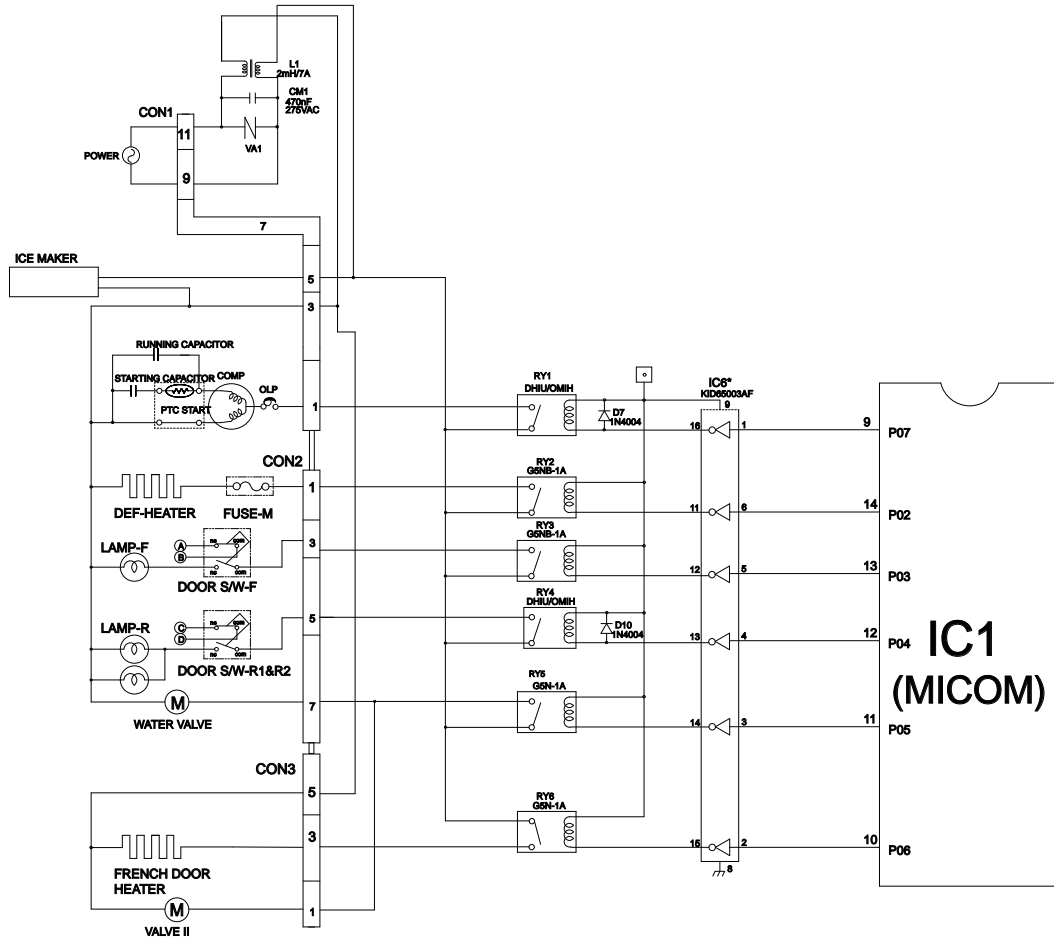
### 9-2-3 Reset Circuit



The RESET circuit allows all the functions to start at the initial conditions by initializing various parts, including the RAM inside the MICOM (IC1) when the power is initially supplied or the power supply to the MICOM is restored after a momentary power failure. For the initial 10ms of power supply, LOW voltage is applied to the MICOM RESET terminal. During a normal operation, 5V is applied to the RESET terminal. (If a malfunction occurs in the RESET IC, the MICOM will not operate.)

## 9-2-4 Load / Buzzer Drive & Open Door Detection Circuit

### 1. Load Drive Condition Check



LOAD TYPE	COMP	DEFROSTING HEATER	F LAMP	R LAMP	FRENCH DOOR HEATER DEW HEATER	VALVE
Measurement Location	CON1 PIN1	CON2 PIN1	CON2 PIN3	CON2 PIN5	CON3 PIN3	CON2 PIN7
Condition	ON	115V				
	OFF	1V or below				

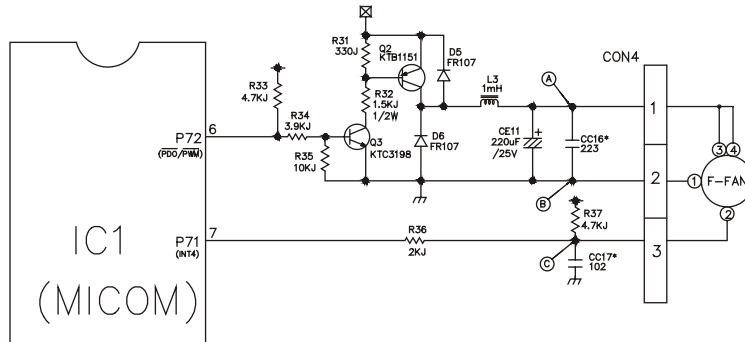
#### Note:

To measure outputs of the control board, check voltages between each Measurement Location and CON1 PIN 3 (neutral).

## 2. Motors driving circuit

### 2.1 Fan motor driving circuit (freezing compartment fan)

1. This circuit makes standby power 0 by cutting of power supplied to ISs inside of the fan motor in the fan motor OFF
2. This is a circuit to perform a temporary change of speed for the fan motor and applies DC voltage up to 7.5V ~ 16V to motor
3. This circuit prevents over-driving the fan motor by cutting of power applied to the fan motor in the lock of fan motor by sensing the operation RPM of the fan motor.



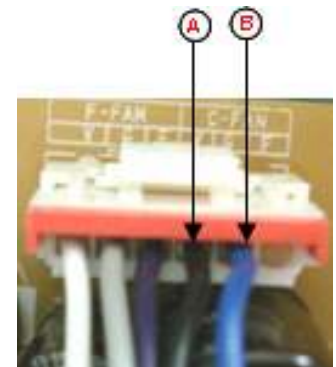
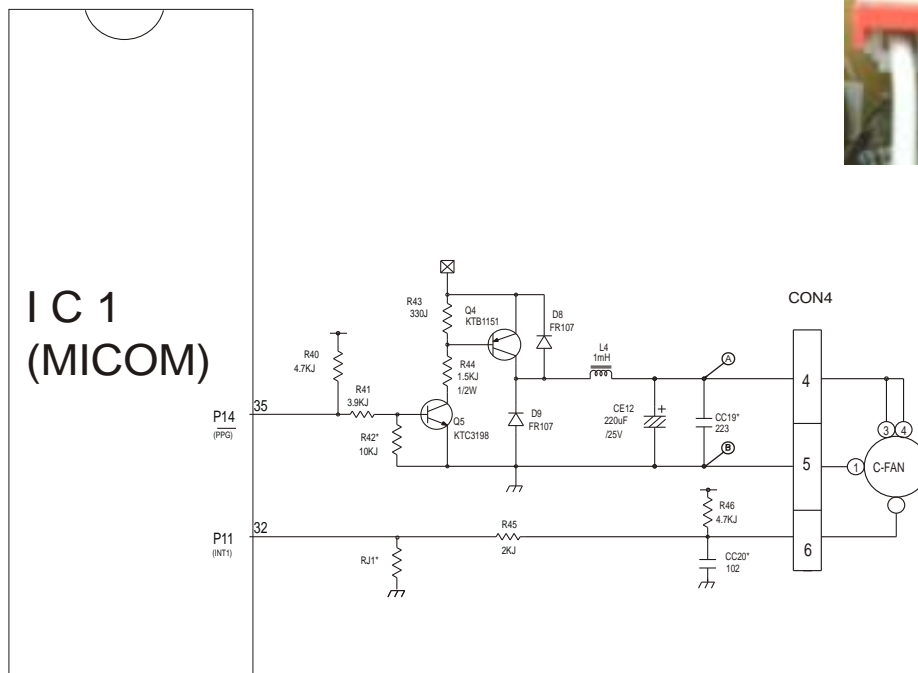
	Ⓐ part	Ⓑ part	Ⓒ part
MOTOR OFF	2V or less	0V	5V
MOTOR ON	13V~16V	0V	2V~3V



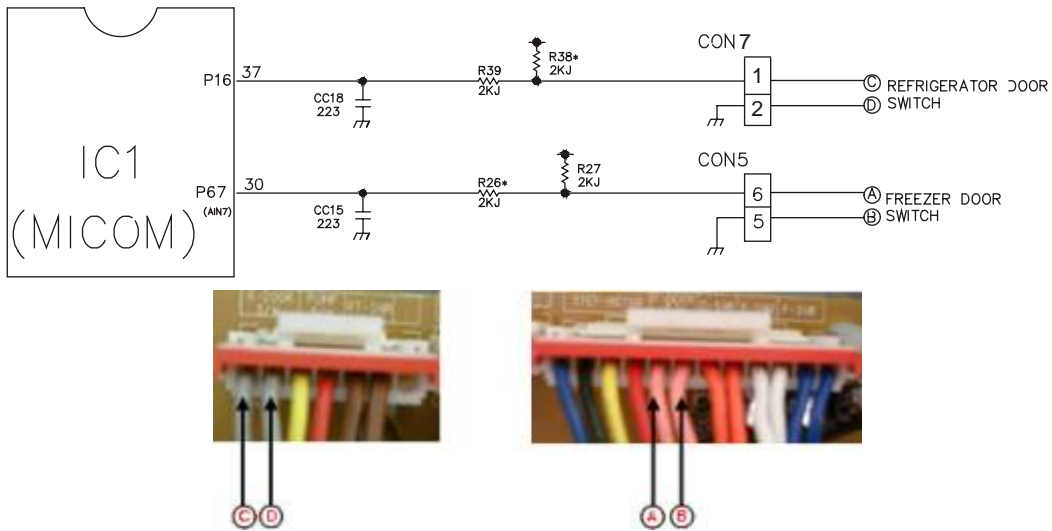
### 2.2 Cooling motor driving circuit (machine room)

1. This circuit makes standby power 0 by cutting off power supplied to ISs inside of the fan motor in the fan motor OFF .
2. This is a circuit to perform a temporary change of speed for the fan motor and applies DC voltage up to 7.5V ~ 16V to motor

	Ⓐ Part	Ⓑ part
MOTOR OFF	2V or less	0V
MOTOR ON	13V~16V	0V

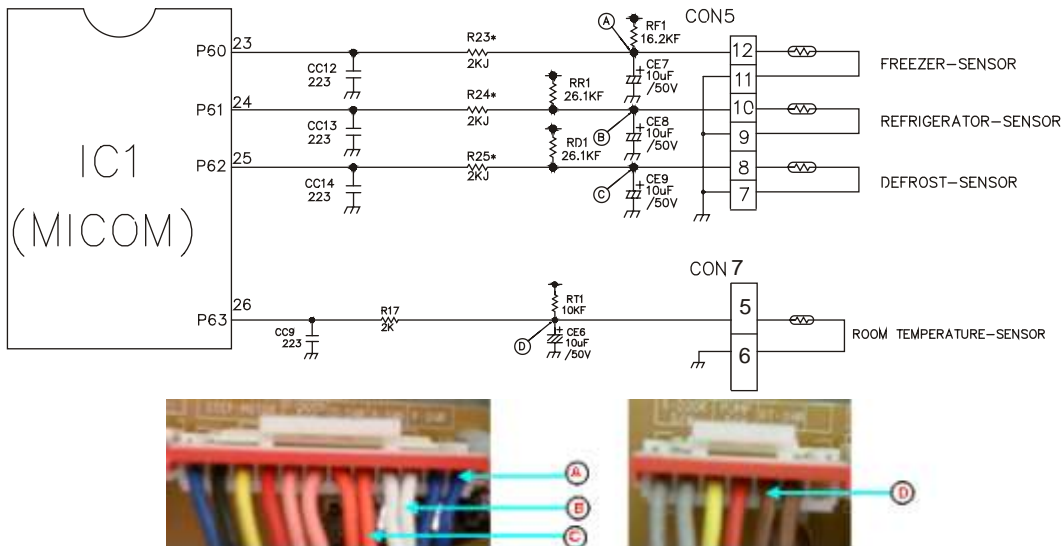


### 3. Open Door Detection Circuit Check



Measurement Location	(PIN NO.30 & PIN NO.37)
Closed	5 V
Open	0 V

### 9-2-5 Temperature Sensor Circuit

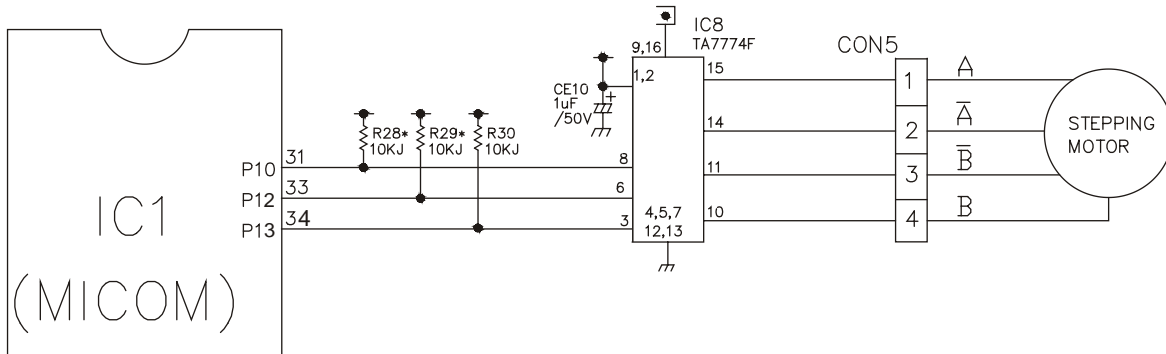


The upper CIRCUIT reads REFRIGERATOR temperature, FREEZER Temperature, and DEFROST-SENSOR temperature for defrosting and the indoor temperature for compensating for the surrounding temperature into MICOM. OPENING or SHORT state of each TEMPERATURE SENSOR are as follows:

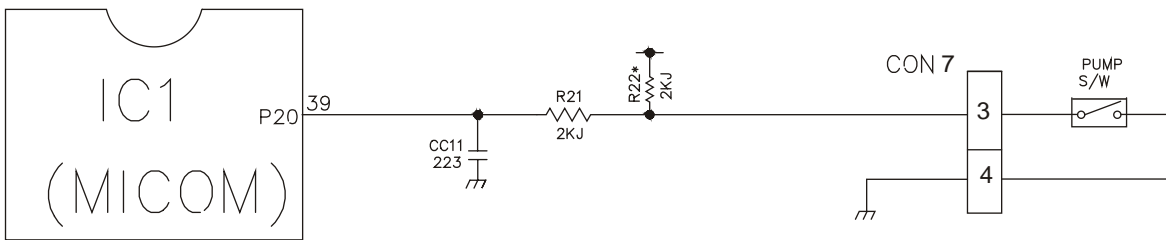
SENSOR	CHECK POINT	NORMAL (-30°C ~ 50°C)	SHORT-CIRCUITED	OPEN
Freezer Sensor	POINT (A) Voltage	0.5 V ~ 4.5 V	0 V	5 V
Refrigerator Sensor	POINT (B) Voltage			
Defrosting Sensor	POINT (C) Voltage			
Room Temperature sensor	POINT (D) Voltage			

### 9-2-6 Refrigeration Compartment Stepping Motor Damper Circuit

\* The circuit shown below is the damper circuit to regulate the refrigerator temperature.

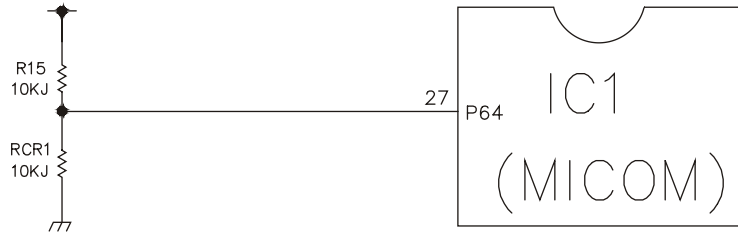
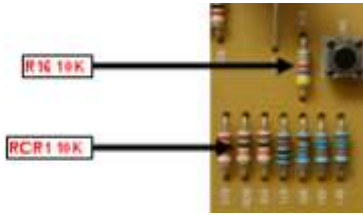


### 9-2-7 Dispenser Input



## 9-2-8 Temperature Compensation & Overcooling/Undercooling Compensation Circuit

### 1. Refrigerator Temperature Compensation



Refrigerator		Remark
Resistance (RCR)	Temperature Compensation	
180 KΩ	+2.5 °C	Compensation by raising the temperature ↑
56 KΩ	+2.0 °C	
33 KΩ	+1.5 °C	
18 KΩ	+1.0 °C	
12 KΩ	+0.5 °C	
10 KΩ	0 °C	Standard Temperature
8.2 KΩ	-0.5 °C	Compensation by lowering the temperature ↓
5.6 KΩ	-1.0 °C	
3.3 KΩ	-1.5 °C	
2 KΩ	-2.0 °C	
470 Ω	-2.5 °C	

Table of Temperature Compensation by adjusting the resistance (difference from the current temperature) e.g., If the refrigerator compensation resistance (RCR) is changed from 10K (the current resistance) to 18K (the adjustment resistance), the temperature of the refrigerator rises 33.8°F(+1°C).

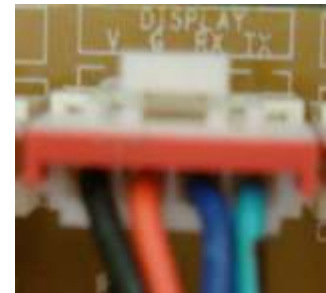
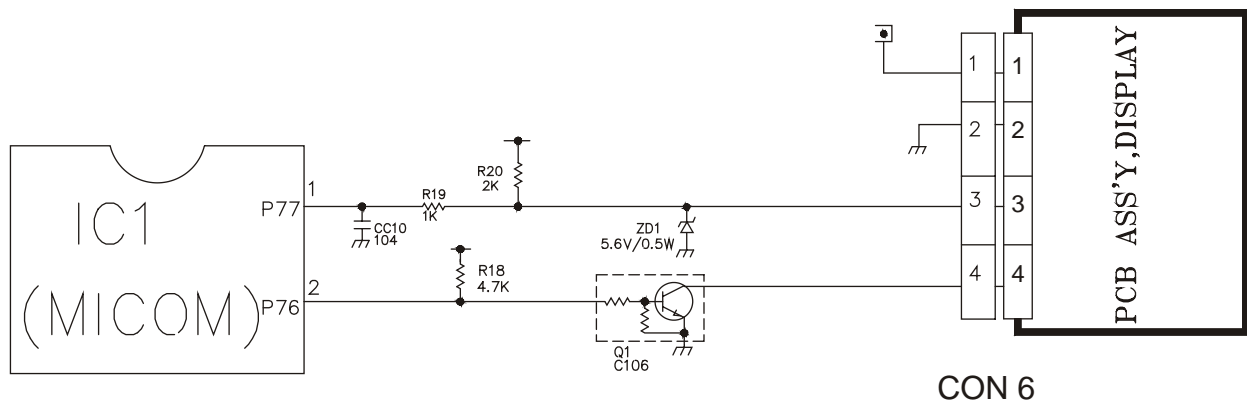
### 2. The temperature compensation for refrigerator compartment is in the following table:

	Revised resistance / Present resistance	470Ω	2kΩ	3.3kΩ	5.6kΩ	8.2kΩ	10kΩ	12kΩ	18kΩ	33kΩ	56kΩ	180kΩ
Refrigerator (RCR)	470Ω	No change	0.5°C Up	1°C Up	1.5°C Up	2°C Up	2.5°C Up	3°C Up	3.5°C Up	4°C Up	4.5°C Up	5°C Up
	2kΩ	0.5°C Down	No Change	0.5°C Up	1°C Up	1.5°C Up	2°C Up	2.5°C Up	3°C Up	3.5°C Up	4°C Up	4.5°C Up
	3.3kΩ	1°C Down	0.5°C Down	No Change	0.5°C Up	1°C Up	1.5°C Up	2°C Up	2.5°C Up	3°C Up	3.5°C Up	4°C Up
	5.6kΩ	1.5°C Down	1°C Down	0.5°C Down	No Change	0.5°C Up	1°C Up	1.5°C Up	2°C Up	2.5°C Up	3°C Up	3.5°C Up
	8.2kΩ	2°C Down	1.5°C Down	1°C Down	0.5°C Down	No Change	0.5°C Up	1°C Up	1.5°C Up	2°C Up	2.5°C Up	3°C Up
	10kΩ	2.5°C Down	2°C Down	1.5°C Down	1°C Down	0.5°C Down	No Change	0.5°C Up	1°C Up	1.5°C Up	2°C Up	2.5°C Up
	12kΩ	3°C Down	2.5°C Down	2°C Down	1.5°C Down	1°C Down	0.5°C Down	No Change	0.5°C Up	1°C Up	1.5°C Up	2°C Up
	18kΩ	3.5°C Down	3°C Down	2.5°C Down	2°C Down	1.5°C Down	1°C Down	0.5°C Down	No Change	0.5°C Up	1°C Up	1.5°C Up
	33kΩ	4°C Down	3.5°C Down	3°C Down	2.5°C Down	2°C Down	1.5°C Down	1°C Down	0.5°C Down	No Change	0.5°C Up	1°C Up
	56kΩ	4.5°C Down	4°C Down	3.5°C Down	3°C Down	2.5°C Down	2°C Down	1.5°C Down	1°C Down	0.5°C Down	No Change	0.5°C Up
	180kΩ	5°C Down	4.5°C Down	4°C Down	3.5°C Down	3°C Down	2.5°C Down	2°C Down	1.5°C Down	1°C Down	0.5°C Down	No Change

**NOTE:** This circuit is designed to input the necessary temperature compensation values into the MICOM. This adjust the refrigerator temperature, which is different in each model.

### 9-2-9 Key Button Input & Display Light-On Circuit

The circuit shown above determines the communication between Main PCB and Display PCB. When a function control key on the operation display is pushed. It also turns on the corresponding function indication LED Module SEVEN SEGMENTS DISPLAY. Then the PCB Assy Display send the corresponding function to the PCB Assy Main to execute the function.



---

### 9-3 RESISTANCE SPECIFICATION OF SENSOR

TEMPERATURE	RESISTANCE OF FREEZER SENSOR	RESISTANCE OF REFRIGERATOR & DEFROST SENSOR & ROOM SENSOR
- 20 °C	22.3 KΩ	77 KΩ
- 15° C	16.9 KΩ	60 KΩ
- 10° C	13.0 KΩ	47.3 KΩ
- 5° C	10.1 KΩ	38.4 KΩ
0 °C	7.8 KΩ	30 KΩ
+ 5° C	6.2 KΩ	24.1 KΩ
+ 10° C	4.9 KΩ	19.5 KΩ
+ 15° C	3.9 KΩ	15.9 KΩ
+ 20° C	3.1 KΩ	13 KΩ
+ 25° C	2.5 KΩ	11 KΩ
+ 30 °C	2.0 KΩ	8.9 KΩ
+ 40 °C	1.4 KΩ	6.2 KΩ
+ 50 °C	0.8 KΩ	4.3 KΩ

The resistance of the SENSOR has a  $\pm 5\%$  tolerance difference.  
Measure the resistance of the SENSOR after leaving it for over 3 minutes in the measuring temperature.  
This delay is necessary due to sensor response speed.



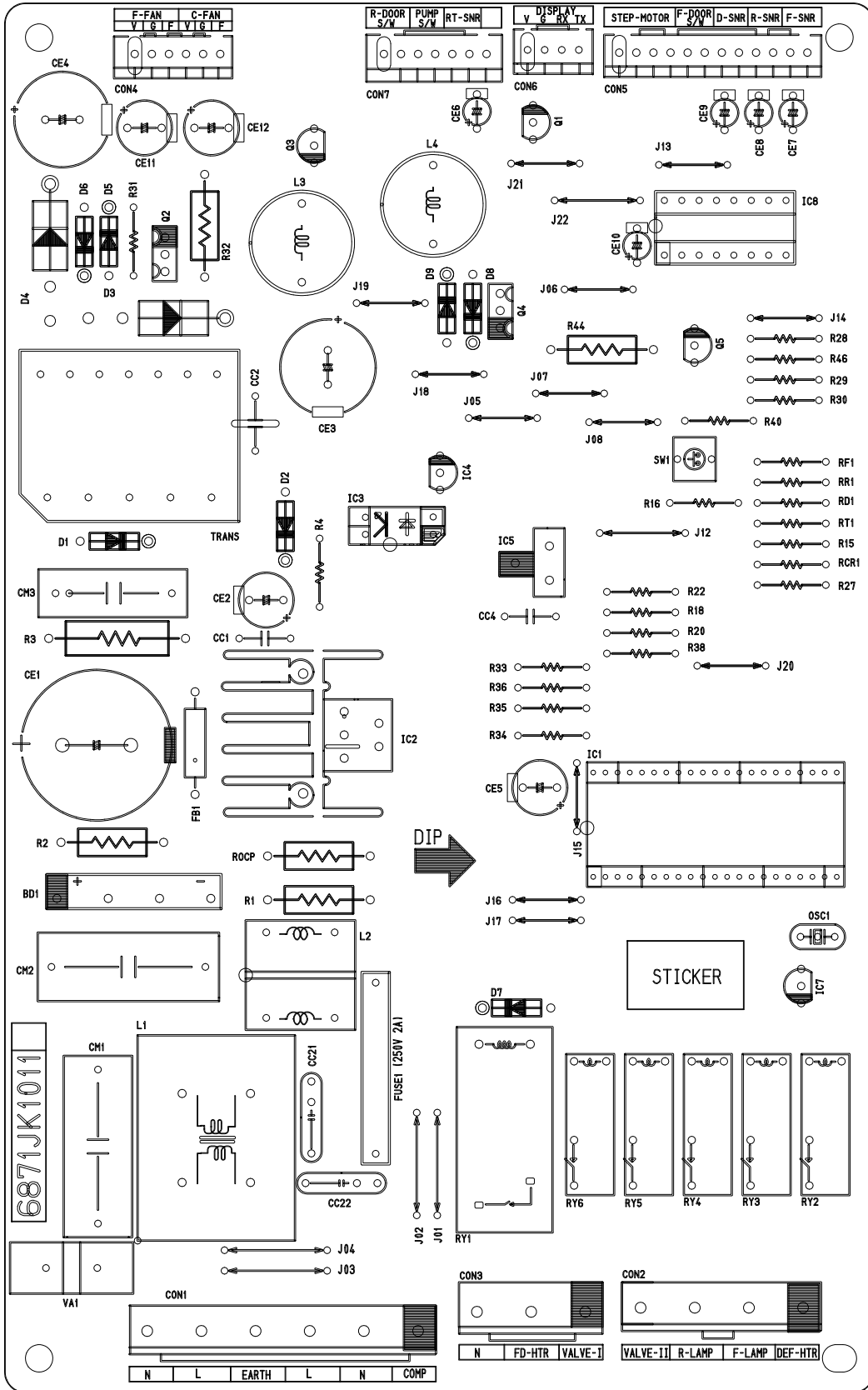
## 9-4 TROUBLESHOOTING

PROBLEM	INDICATED BY	CHECK	CHECKING METHOD	CAUSE	SOLUTION
Power source <sup>1</sup> is poor.	The whole DISPLAY LED/SEVEN SEGMENT DISPLAY's off.	1. FREEZER/ REFRIGERATOR.	Check if FREEZER/ REFRIGERATOR DOOR IS OPEN and check display.	POWER SOURCE is poor.	Check outlet Voltage.
		2. If LAMP is dim.	Check visually.	Applied voltage error.	Use boosting TRANS.
Cooling is poor	No cooling.	3. The connection of the MAIN PWB CONNECTOR.	Check connection of CONNECTOR.	CONNECTOR connection is poor.	Reconnect CONNECTOR.
		1. If the compressor operate.	Use Test Mode 1 (forced cooling). If less than 7 minutes pass after compressor shuts off, don't press the KEY and wait.	TRANS FUSE is open.	Replace TRANS.
Cooling is poor	No cooling.	2. If refrigerant is leaking.	Measure the amount of frost sticking on EVAPORATOR and the surface temperature of the condenser pipe.	COMPRESSOR locked or blocked.	Replace COMPRESSOR.
		1. If FANMOTOR operates.	USE TEST MODE1 (forced COOLING).	OLP, PTC is poor.	Replace OLP, PTC.
				COMPRESSOR RELAY is poor.	Replace MAIN PWB.
		FREEZER TEMPERATURE is incorrect	1. If FANMOTOR operates.	USE TEST MODE1 (forced COOLING).	THE CONNECTING WIRE is poor.
Refrigerant leakage.	Replace the leaking part and replace any lost refrigerant.				
FREEZER TEMPERATURE is incorrect	1. If FANMOTOR operates.	USE TEST MODE1 (forced COOLING).	FAN MOTOR is poor.	Replace the FAN MOTOR.	
			CONNECTING WIRE is poor.	Refer to 8-2-4. 2 and check	
			DEFROSTING is poor.	See DEFROSTING is poor.	
FREEZER TEMPERATURE is incorrect	1. If FANMOTOR operates.	USE TEST MODE1 (forced COOLING).	SENSOR RESISTANCE is poor.	Replace SENSOR.	
			Door liner contact.	Check the seal when the door is closed.	Replace door liner.

PROBLEM	INDICATED BY	CHECK	CHECKING METHOD	CAUSE	SOLUTION
COOLING is poor.	If REFRIGERATOR TEMPERATURE is too low.	1. If FREEZER TEMPERATURE isn't normal.	Check if FREEZER TEMPERATURE is too low.		Make sure the DOOR is attached.
		2. If amount of cool air from FAN MOTOR is sufficient.	Make sure that the amount and speed of cool air are sufficient by touching the check supplied on the REFRIGERATOR.	FAN MOTOR is poor. Passage of cool air is blocked. EVA frozen.	Replace FAN MOTOR. Remove Impurities. See DEFROSTING is poor .
		3. Door Line contact.	Check door seal when door is closed.	Door liner damaged.	Replace Door liner.
DEFROSTING is poor.	NO DEFROSTING.	1. If HEATER emits heat.	USE TEST MODE3 (forced DEFROSTING).	HEATER disconnection.	Replace HEATER.
				TEMPERATURE FUSE disconnection.	Replace TEMPERATURE FUSE.
				Connection is poor.	Check EVAPORATOR connection and wire of MAIN PWB CONNECTOR.
				DEFROST-SENSOR is poor.	Replace DEFROST-SENSOR.
				HEATER RELAY is poor.	Replace RY2 of MAIN PWB.
				DRAIN PIPE is blocked.	Remove ice and Impurities. Check HEATER PLATE resistance.
				Connection is poor.	Reassemble the DEFROST-SENSOR.
				DOOR does not close properly.	Reassemble DOOR. Replace GASKET.
				Make sure that DEFROST SENSOR is connected.	
				Make sure that FREEZER / REFRIGERATOR DOOR is closed.	

# 9-5 MAIN PWB ASSEMBLY AND PARTS LIST

## 9-5-1 Main PWB Assembly

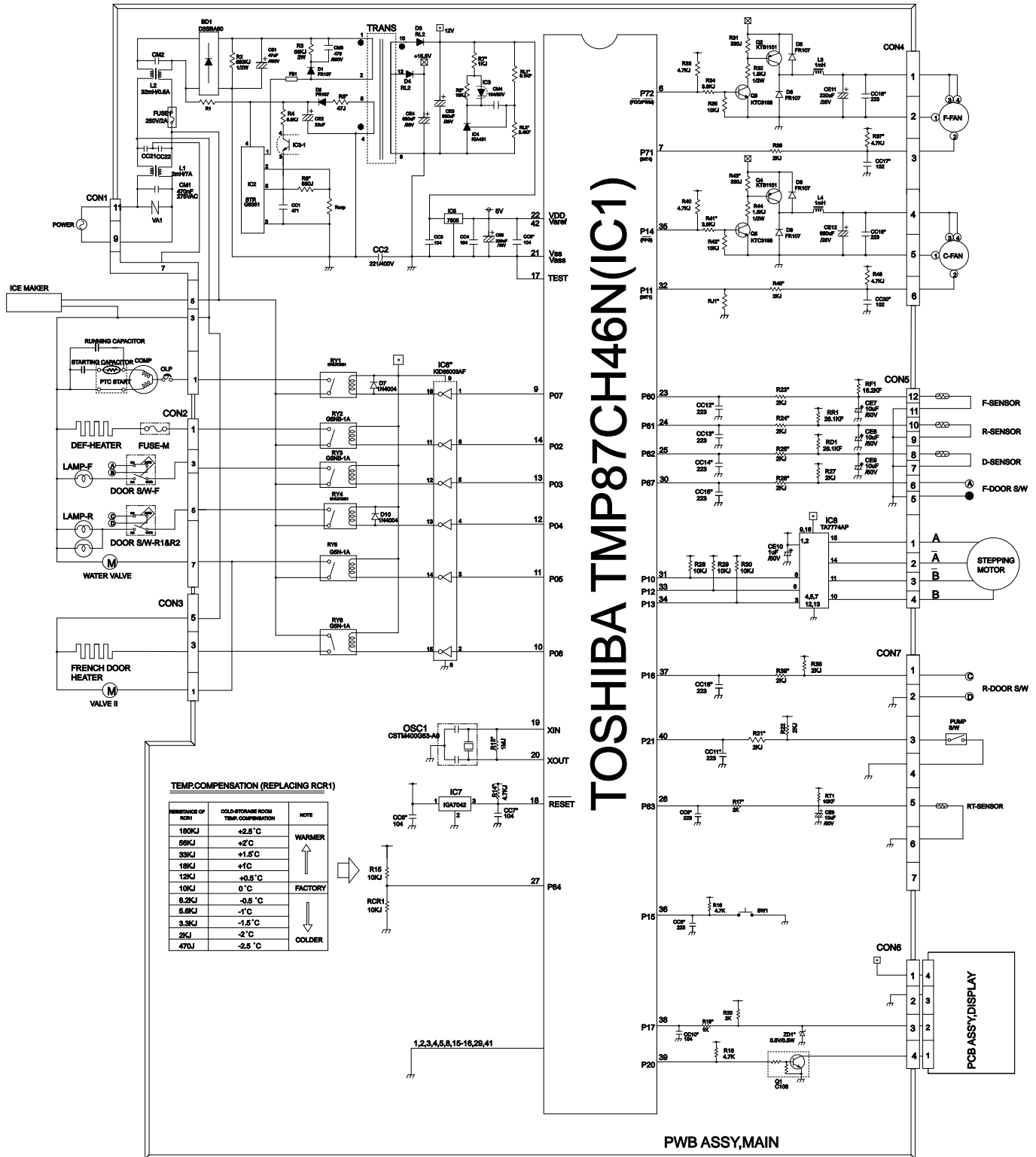


# 9-5-2 Replacement Parts List

No	P/NO	DESCRIPTION	SPEC	MAKER	REMARK
1	6170.E2012B	TRANSFORMER, SMPS COIL 1	BEST-BRAVO-PJT WINNER-PJT	DOO SAN	T-1,L-6
2	6170.E2012C	TRANSFORMER, SMPS COIL 1	OL-PJT 2.5MVA/24V	SAM IL	TRANS
3	6630A0906E	CONNECTOR (CIRC1, WAFER)	YK395-11A1	YEON HO	CON1
4	6630A0906E	CONNECTOR (CIRC1, WAFER)	YK395-07A1	YEON HO	CON2
5	6630A0906E	CONNECTOR (CIRC1, WAFER)	YK395-05A1	YEON HO	CON3
6	6630A0906E	CONNECTOR (CIRC1, WAFER)	SM1250 YEONHO 6P 2.5MM STRAIGHT SN	YEON HO	CON4
7	6630A0906E	CONNECTOR (CIRC1, WAFER)	SM1250 YEONHO 12P 2.5MM STRAIGHT SN	YEON HO	CON5
8	6630A0906E	CONNECTOR (CIRC1, WAFER)	SM1250 YEONHO 4P 2.5MM STRAIGHT SN	YEON HO	CON6
9	6630A0906E	CONNECTOR (CIRC1, WAFER)	SM1250 YEONHO 7P 2.5MM STRAIGHT SN	YEON HO	CON7
10	01Z7.K2002C	IC, DRAWING	TPM87C84GN 42P SDIP BK 01P WINNER-PJT BASIC/OIS	TOSHIBA	IC1
11	01Z7.K2002E	IC, POWER MANAGEMENT	STR-65351 5PIN BK SUPS 2.4PIN FORM	SANKEN	IC2
12	01K6.3500A	IC, POWER MANAGEMENT	PS266LL1-I-V NEC 4P, DIP BK - 1LP72IF	NEC	IC3
13	01K6.3500A	IC, REC	KI431 11P1 - - -	KEC CHANGJIANG	IC4
14	01K6.780500Z	IC, LINEAR	KI47805PT 30P BK 5V IA REFORM	KEC CHANGJIANG	IC5
15	01K6.950000B	IC, STANDARD LOGIC	KI65003AP 16P SDIP BK DRIVE IC	KEC	IC6
16	01K6.950000B	IC, STANDARD LOGIC	KI65003AF 16 50P BK 7OH DRIVE	KEC	IC6
17	01K6.704200D	IC, REC	KI47042P 2K71P 4,2 RESET KEC - - - -	KEC	IC7
18	01T077400A	IC, DRAWING	T17740AP 16, SDIP BK DRIVE, IC STEPPING MOTOR	TOSHIBA	IC8
19	01Z7.K2002M	IC, DRAWING	TPM87C84GN 42P SDIP BK 01P WINNER-PJT ARGENTINA	TOSHIBA	IC1
20	6920.B2005C	RELAY	ALF82 250VAC 16A 12VDC IA NO VENTING	MATSUSHITA	RY1
21	6920.B2005C	RELAY	GS-15-1A-NT 250VAC 16A 12VDC IA NO VENTING	OMRON	
22	6920.B2005C	RELAY	DHU 11 250VAC 16A 12VDC IA VENTING	NEC	
23	6920.B2005C	RELAY	DMH-SS-112LM DEG AC240V DC12V 16A IA	OMRON	
24	6920.B2005C	RELAY	GSN-1A-OMRON 250VAC 1.5A 12VDC IA JAPAN	OMRON	
25	6920.B2005C	RELAY	GSN-1A-EICHHAI 250VAC 5A 12VDC IA NO VENTING	OMRON	
26	6920.B2005C	RELAY	GSN-1A-E JAPAN 250VAC 5A 12VDC IA NO VENTING	OMRON	
27	6920.B2005C	RELAY	PCJ-112EJICHINAI 250VAC 3A 12VDC IA NO VENTING	TYCO	RY3,RY5,RY6 ΔRY4
28	6920.B2005C	RELAY	ALDI2 JAPAN 250VAC 3A 12VDC IA NO VENTING	MATSUSHITA	
29	6920.B2005C	RELAY	ALDI2 MATSUSHITA 250VAC 3A 12VDC IA NO VENTING	MATSUSHITA	
30	6920.B2005C	RELAY	GSN-1A-OMRON 250VAC 3A 12VDC IA	OMRON	
31	6920.B2005C	RELAY	GSN-1A-EICHHAI 250VAC 5A 12VDC IA NO VENTING	OMRON	
32	6920.B2005C	RELAY	GSN-1A-E JAPAN 250VAC 5A 12VDC IA NO VENTING	OMRON	
33	6920.B2005C	RELAY	GSN-1A JAPAN 250VAC 5A 12VDC IA NO VENTING	OMRON	
34	6920.B2005C	RELAY	GSN-1A 250VAC 5A 12VDC IC NO VENTING	OMRON	
35	6212A3041A	RESONATOR, CERAMIC	CST1.54M00653-AD MURATA 4.00MHz +/- 0.5% TA 15PF 3	MURATA	OSC1
36	6102.E8001B	VARISTOR	INR4021 ILJIN ULVDE BK 620V	IL JIN	VA1
37	6102.E8001B	VARISTOR	SVC320-14A	ASB	VAI
38	6102.E8001B	VARISTOR	TVL16201	THINKING	VAI
39	6102.E8001B	VARISTOR	INR4033K IL JIN UL/CSAVDE BK, SVC330-14A(SAM HWA1), TVR433H THINNING	IL JIN	VAI
40	008360000A	DIODE, RECTIFIERS	I036A60 BK SHINDENGEN - 600V 4A BDA - IOUA	SHINDENGEN	BD1
41	008360000A	DIODE, RECTIFIERS	RECTIN400M TP	DELTA	D7
42	008360000A	DIODE, RECTIFIERS	FR107 TP RECTRON 0041 1000V IA 30A 50MSEC 5A	SANKEN	D1, D2, D5, D6, D8, D9
43	008360000A	DIODE, RECTIFIERS	RL2 SANKEN BK 10N 400V 2A 40A 50MSEC IOU	SANKEN	D13, D4
44	008360000A	DIODE, RECTIFIERS	IN2328 MOTOROLA TP 0034 0.5M 5.6V BMA _PF	DEL TA	ZD1
45	008360000A	DIODE, RECTIFIERS	-	-	-
46	008360000A	DIODE, RECTIFIERS	I036A60 BK SHINDENGEN - 600V 4A BDA - IOUA	SHINDENGEN	BD1
47	008360000A	DIODE, RECTIFIERS	RECTIN400M TP	DELTA	D7
48	008360000A	DIODE, RECTIFIERS	FR107 TP RECTRON 0041 1000V IA 30A 50MSEC 5A	SANKEN	D1, D2, D5, D6, D8, D9
49	008360000A	DIODE, RECTIFIERS	RL2 SANKEN BK 10N 400V 2A 40A 50MSEC IOU	SANKEN	D13, D4
50	008360000A	DIODE, RECTIFIERS	IN2328 MOTOROLA TP 0034 0.5M 5.6V BMA _PF	DEL TA	ZD1
51	008360000A	DIODE, RECTIFIERS	-	-	-
52	008360000A	DIODE, RECTIFIERS	-	-	-
53	008360000A	DIODE, RECTIFIERS	-	-	-
54	008360000A	DIODE, RECTIFIERS	-	-	-
55	008360000A	DIODE, RECTIFIERS	-	-	-
56	008360000A	DIODE, RECTIFIERS	-	-	-
57	008360000A	DIODE, RECTIFIERS	-	-	-
58	008360000A	DIODE, RECTIFIERS	-	-	-
59	008360000A	DIODE, RECTIFIERS	-	-	-
60	008360000A	DIODE, RECTIFIERS	-	-	-
61	008360000A	DIODE, RECTIFIERS	-	-	-
62	008360000A	DIODE, RECTIFIERS	-	-	-
63	008360000A	DIODE, RECTIFIERS	-	-	-
64	008360000A	DIODE, RECTIFIERS	-	-	-
65	008360000A	DIODE, RECTIFIERS	-	-	-
66	008360000A	DIODE, RECTIFIERS	-	-	-
67	008360000A	DIODE, RECTIFIERS	-	-	-
68	008360000A	DIODE, RECTIFIERS	-	-	-
69	008360000A	DIODE, RECTIFIERS	-	-	-
70	008360000A	DIODE, RECTIFIERS	-	-	-
71	008360000A	DIODE, RECTIFIERS	-	-	-
72	008360000A	DIODE, RECTIFIERS	-	-	-
73	008360000A	DIODE, RECTIFIERS	-	-	-
74	008360000A	DIODE, RECTIFIERS	-	-	-
75	008360000A	DIODE, RECTIFIERS	-	-	-
76	008360000A	DIODE, RECTIFIERS	-	-	-
77	008360000A	DIODE, RECTIFIERS	-	-	-
78	008360000A	DIODE, RECTIFIERS	-	-	-
79	008360000A	DIODE, RECTIFIERS	-	-	-
80	008360000A	DIODE, RECTIFIERS	-	-	-
81	008360000A	DIODE, RECTIFIERS	-	-	-
82	008360000A	DIODE, RECTIFIERS	-	-	-
83	008360000A	DIODE, RECTIFIERS	-	-	-
84	008360000A	DIODE, RECTIFIERS	-	-	-
85	008360000A	DIODE, RECTIFIERS	-	-	-
86	008360000A	DIODE, RECTIFIERS	-	-	-
87	008360000A	DIODE, RECTIFIERS	-	-	-
88	008360000A	DIODE, RECTIFIERS	-	-	-
89	008360000A	DIODE, RECTIFIERS	-	-	-
90	008360000A	DIODE, RECTIFIERS	-	-	-
91	008360000A	DIODE, RECTIFIERS	-	-	-
92	008360000A	DIODE, RECTIFIERS	-	-	-
93	008360000A	DIODE, RECTIFIERS	-	-	-
94	008360000A	DIODE, RECTIFIERS	-	-	-
95	008360000A	DIODE, RECTIFIERS	-	-	-
96	008360000A	DIODE, RECTIFIERS	-	-	-
97	008360000A	DIODE, RECTIFIERS	-	-	-
98	008360000A	DIODE, RECTIFIERS	-	-	-
99	008360000A	DIODE, RECTIFIERS	-	-	-
100	008360000A	DIODE, RECTIFIERS	-	-	-
101	008360000A	DIODE, RECTIFIERS	-	-	-
102	6854E50001A	JMP #IFE	0.68M 52M TP TAPING SN	DME A LEAD	
103	0FZ7.B3001A	FUSE, DRAWING	Z4 250V - SLOW-BLOW LITTELFUSE, TRIAD	SAM JU KYO YUK	FUSE1
104	6854E50001A	FUSE, DRAWING	Z4 250V - SLOW-BLOW LITTELFUSE, TRIAD	SAM JU KYO YUK	FUSE1
105	6854E50001A	FUSE, DRAWING	Z4 250V - SLOW-BLOW LITTELFUSE, TRIAD	SAM JU KYO YUK	FUSE1
106	6854E50001A	FUSE, DRAWING	Z4 250V - SLOW-BLOW LITTELFUSE, TRIAD	SAM JU KYO YUK	FUSE1
107	6854E50001A	FUSE, DRAWING	Z4 250V - SLOW-BLOW LITTELFUSE, TRIAD	SAM JU KYO YUK	FUSE1
108	6854E50001A	FUSE, DRAWING	Z4 250V - SLOW-BLOW LITTELFUSE, TRIAD	SAM JU KYO YUK	FUSE1
109	01Z7.K2002C	IC, DRAWING	TPM87C84GN 42P SDIP BK 01P WINNER-PJT BASIC/OIS	TOSHIBA	IC1
110	01Z7.K2002E	IC, DRAWING	TPM87C84GN 42P SDIP BK 01P WINNER-PJT BASIC/OIS	TOSHIBA	IC1

# 9-6 PWB DIAGRAM

## 9-6-1 PWB Main Assembly



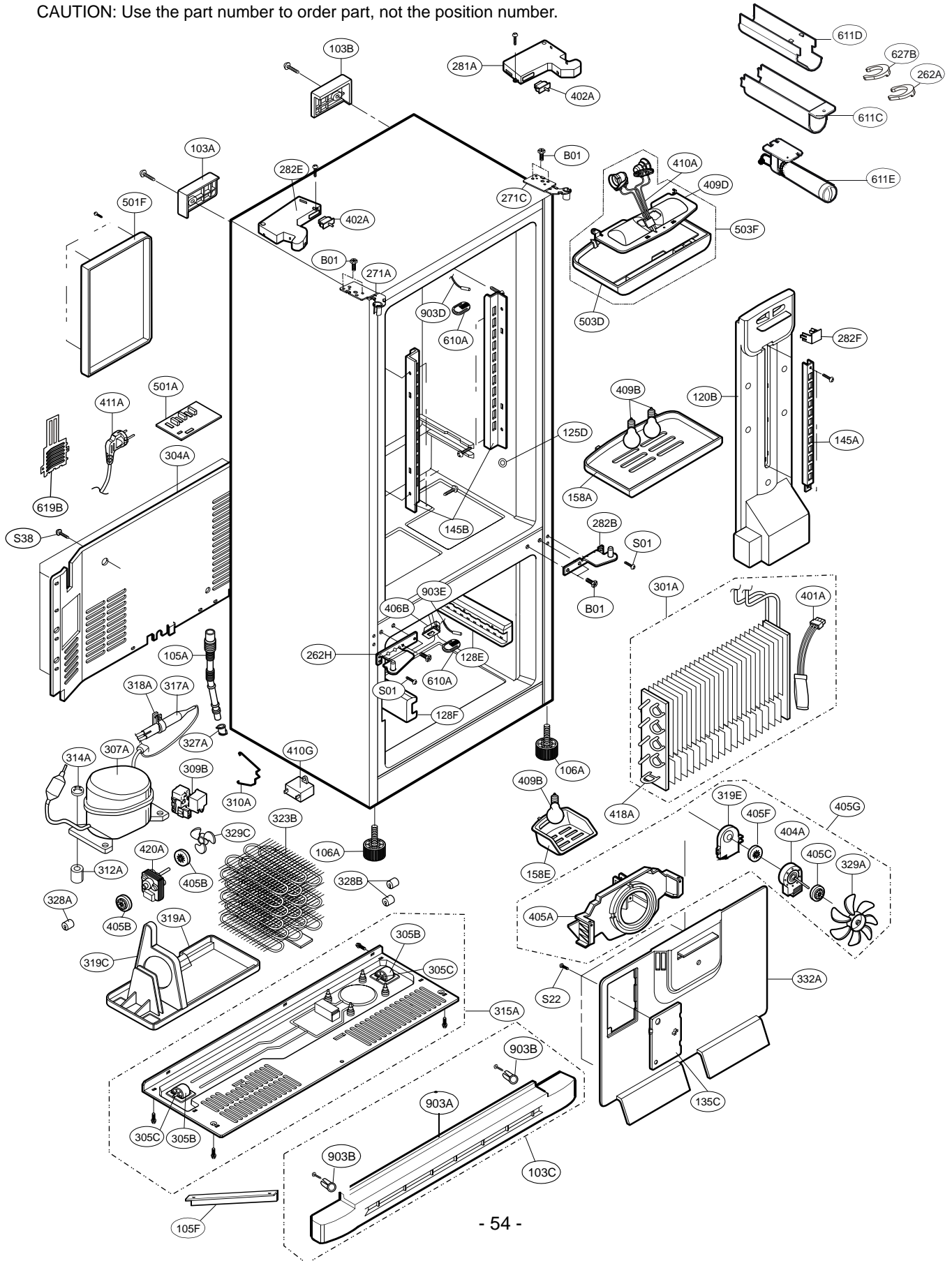
**TEMP. COMPENSATION (REPLACING RCR1)**

REFERENCE OF RCR1	COLD-STORAGE ROOM TEMP. COMPENSATION	NOTE
180KJ	+2.5 °C	↑ WARMER
58KJ	+2 °C	
33KJ	+1.5 °C	
18KJ	+1 °C	
12KJ	+0.5 °C	↓ COLDER
10KJ	0 °C	
8.2KJ	-0.5 °C	
5.8KJ	-1 °C	
3.9KJ	-1.5 °C	
2KJ	-2 °C	
470J	-2.5 °C	

# 10. EXPLODED VIEW & REPLACEMENT PARTS LIST

## CASE PARTS

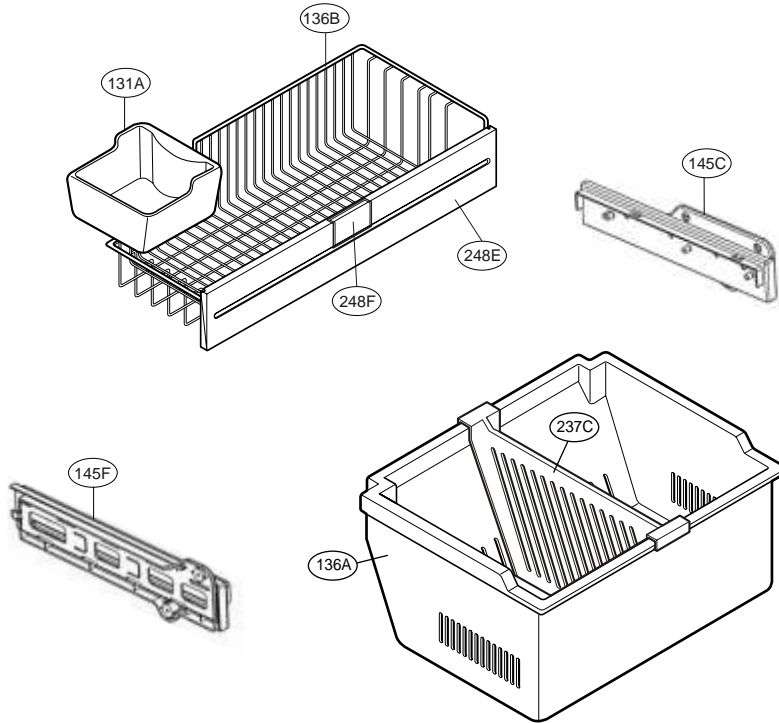
CAUTION: Use the part number to order part, not the position number.



# FREEZER PARTS

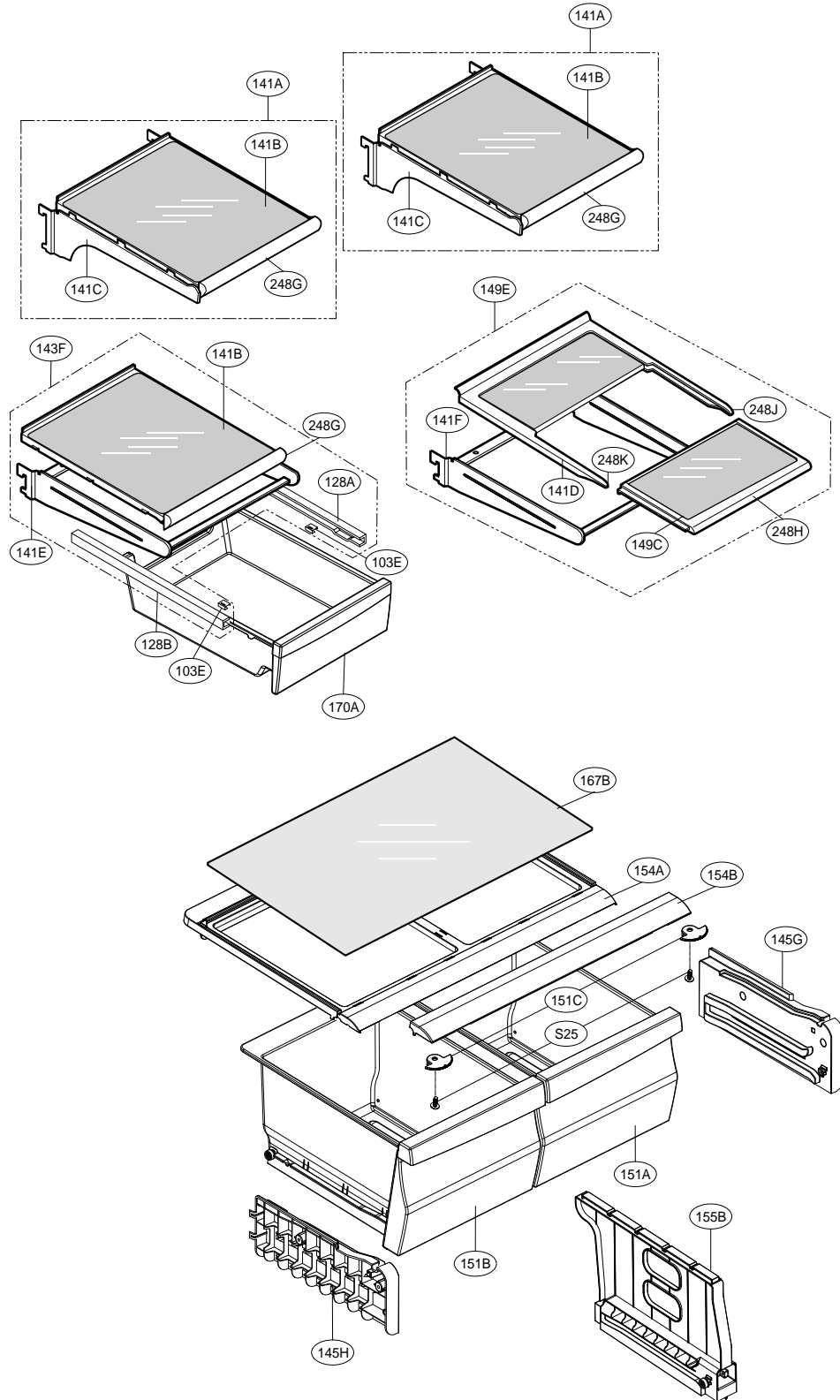
---

CAUTION: Use the part number to order part, not the position number.



# REFRIGERATOR PARTS

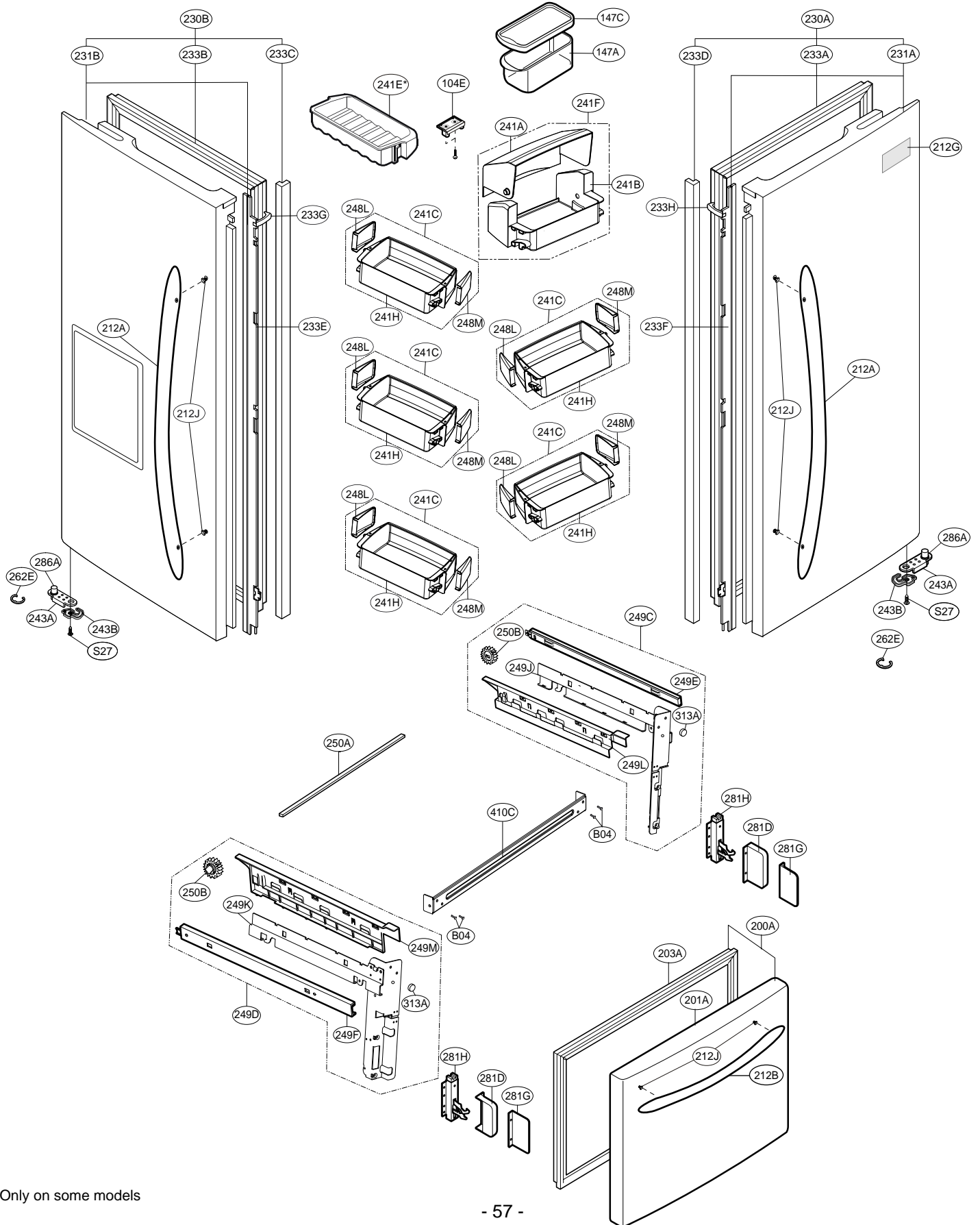
CAUTION: Use the part number to order part, not the position number.





# DOOR PARTS

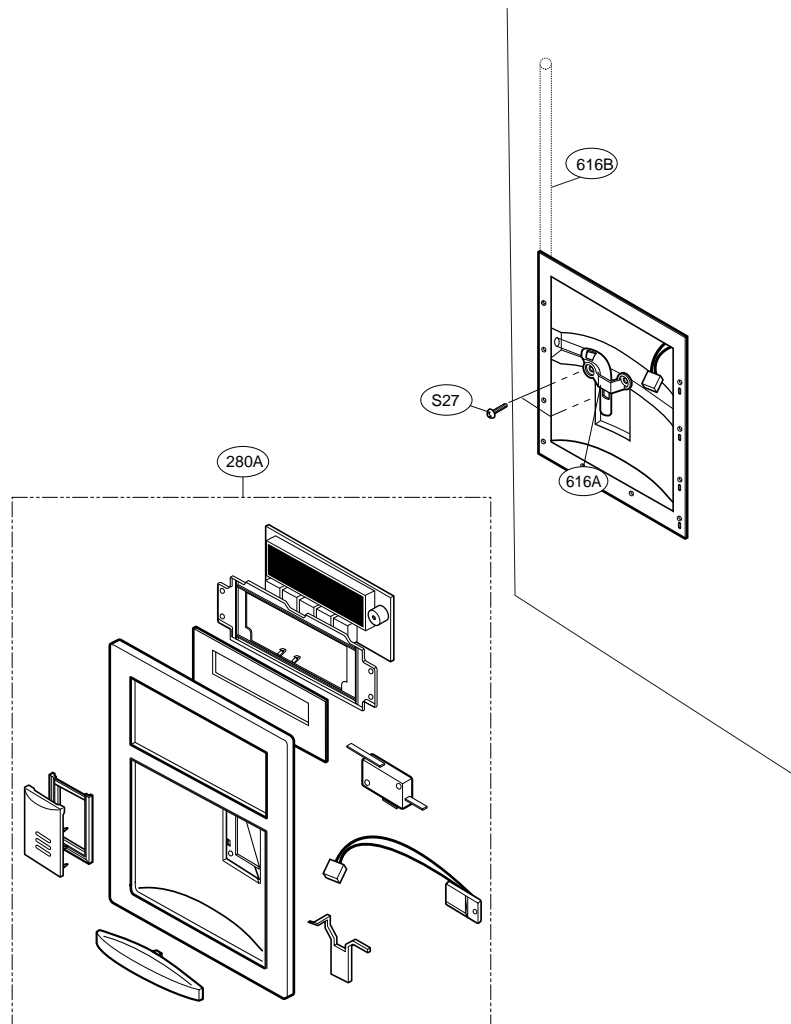
CAUTION: Use the part number to order part, not the position number.



\* Only on some models

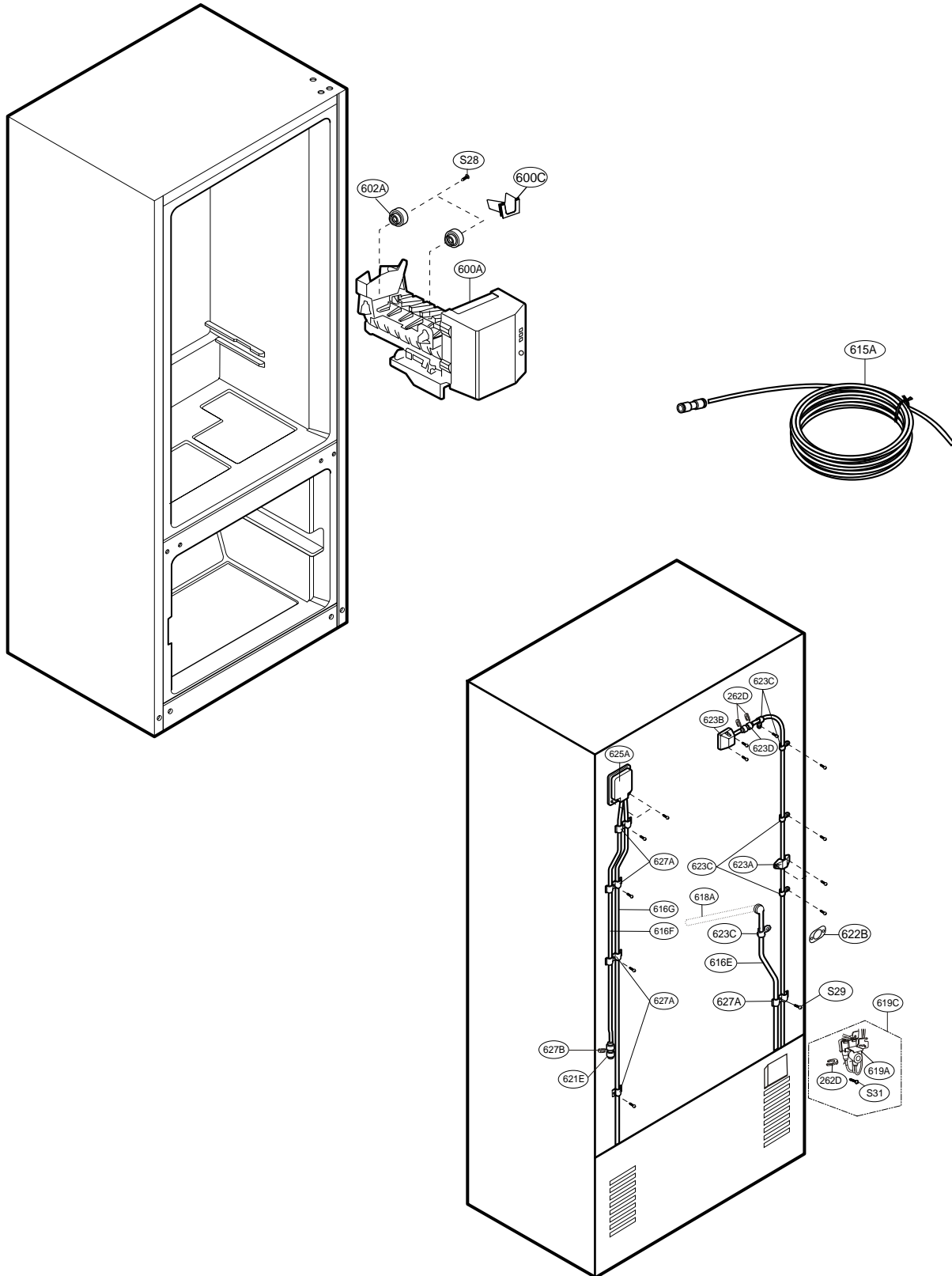
# DISPENSER PARTS

CAUTION: Use the part number to order part, not the position number.



# WATER and ICE MAKER PARTS

CAUTION: Use the part number to order part, not the position number.



795.78343.800

Loc No.	Part No.	Description	Loc No.	Part No.	Description	Loc No.	Part No.	Description
103A	3650JJ2003H	Handle,Rear	241C	AAP65631401	Basket Assembly,Door	332A	3531JJ1004A	Grille Assembly,Fan
103B	3650JJ2003D	Handle,Rear	241F	AKC65631501	Bucket Assembly,Dairy	401A	6615JB2005C	Controller Assembly
103C	3551JJ1015H	Cover Assembly,Lower	241H	MAN53467001	Basket,Door	402A	6600JB3007B	Switch,Push Button
103E	5218JJ3001A	Rail,Slide	243A	4620JJ3006D	Stopper,Door	402A	6600JB3007B	Switch,Push Button
103E	5218JJ3001A	Rail,Slide	243A	4620JJ3006D	Stopper,Door	404A	4681JK1004A	AC Motor
104E	4931JJ3002A	Holder Assembly,Gasket	243B	4620JJ2009A	Stopper,Door	405A	4811JJ2002A	Bracket Assembly,Motor
105A	5251JA3003B	Tube Assembly,Drain	243B	4620JJ2009A	Stopper,Door	405B	5040JJ2001A	Damper,Motor Support
105F	5070JJ3002A	Skirt,Lower	248E	3806JJ1048A	Decor,Tray	405C	5040JA2009B	Damper,Motor Support
106A	4779JA2003A	Leg Assembly,Adjust	248F	3806JL2011B	Decor,Tray	405F	5040JA2004B	Damper,Motor Support
120B	ADJ65631801	Duct Assembly,Multi	248G	MCR53464901	Decor,Shelf	405G	4811JJ2002H	Bracket Assembly,Motor
125D	4930JJ3007A	Holder,Bracket	248G	MCR53464901	Decor,Shelf	406B	6600JB1010A	Switch,Push Button
128A	4975JJ2002A	Guide Assembly,Rail	248H	MCR53466301	Decor,Shelf	409B	6912JK2002C	Lamp,Incandescent
128B	4975JJ2002B	Guide Assembly,Rail	248J	MCR55502702	Decor,Shelf	409D	3034JJ1002B	Reflector,Lamp
128E	4930JJ1025B	Holder,Rail	248K	MCR55502701	Decor,Shelf	410A	6621JK2003B	Harness Assembly
128F	4930JJ1025A	Holder,Rail	248L	MCR53467102	Decor,Basket	410C	4932JJ2006C	Connector,Tilt
131A	5074JJ1055A	BUCKET,ICE	248M	MCR53467101	Decor,Basket	410G	0CZZJB2012J	Capacitor,Electric Appliance Film,Box
135C	3550JJ2030A	Cover,Grille Fan	249C	ACJ32471702	Connector Assembly	411A	6411JK1006A	Power Cord Assembly
136A	3391JJ1011B	Tray Assembly,Drawer	249D	ACJ32471701	Connector Assembly	418A	5300JB1100J	Heater,Sheath
136B	3390JJ1090A	Tray,Drawer	249E	5218JA1010E	Rail,Slide	420A	4681JB1029J	Motor,DC
141A	AHT65631201	Shelf Assembly,Refrigerator	249F	5218JA1010F	Rail,Slide	501A	6871JK1011G	PCB Assembly,Main
141B	MHL53464801	Shelf,Refrigerator	249J	ACJ32308804	Connector Assembly	501F	3551JJ1020A	Cover Assembly,PCB
141B	MHL53464801	Shelf,Refrigerator	249K	ACJ32308803	Connector Assembly	503D	3110JJ1021A	Case,Display
141C	5027JJ2005C	Shelf Assembly,Net	249L	MCK30136701	Cover,Connector	503F	ABQ33905306	Case Assembly,Display
141D	AHT67066001	Shelf Assembly,Refrigerator	249M	MCK30136702	Cover,Connector	600A	5989JA0002Q	Ice Maker Assembly,Kit
141E	5027JJ2005F	Shelf Assembly,Net	249Q	ACJ67019901	Connector Assembly	600C	MEA32865501	Guide,Tube
141F	5027JJ2005D	Shelf Assembly,Net	250A	4270JJ3001E	Bar	602A	4931JA3005B	Holder Assembly,Bracket
143F	AHT65631202	Shelf Assembly,Refrigerator	250B	4403JJ3001A	Connector Assembly	602A	4931JA3005B	Holder Assembly,Bracket
145A	4930JJ2003A	Holder,Shelf	250B	4403JJ3001A	Connector Assembly	610A	3550JJ2020A	Cover,Sensor
145B	4930JJ2004A	Holder,Shelf	262A	4930JA3093A	Holder,Bracket	611C	3550JL1008C	Cover,Filter
145C	4975JJ2028C	Guide Assembly,Rail	262D	4004JA3002A	Clip	611D	3550JJ2028B	Cover,Filter
145F	4975JJ2028D	Guide Assembly,Rail	262E	4350JA3005B	Ring	611E	5231JA2005E	Filter Assembly,Head
145G	AEC65631002	Guide Assembly,TV	262H	4775JJ2019F	Hinge Assembly,Center	615A	4839JJ2002B	Tank Assembly,Water
145H	AEC65631001	Guide Assembly,TV	271A	AEH36437001	Hinge Assembly,Upper	616A	5210JA2012F	Tube,Inject
147A	5074JJ1005A	Bucket,Dairy	271C	AEH36437002	Hinge Assembly,Upper	616B	5210JA3005U	Tube,Plastic
147C	3550JJ1017A	Cover,Bucket	280A	ACQ54093306	Cover Assembly,Dispenser	616E	5211JA2003B	Tube Assembly,Inject
149C	AHT67066101	Shelf Assembly,Refrigerator	281A	ACQ36833808	Cover Assembly,Hinge	616F	5210JA3004B	Tube,Plastic
149E	AHT65631301	Shelf Assembly,Refrigerator	281D	3550JJ2043A	Cover,Hinge	616G	5210JA3005P	Tube,Plastic
151A	AJP65630802	Tray Assembly,Vegetable	281G	3550JJ2044A	Cover,Hinge	618A	5210JJ3006B	Tube,Inject
151B	AJP65630801	Tray Assembly,Vegetable	281H	4775JJ2011B	Hinge Assembly,Lower	619A	5220JA2013A	Valve,Water
151C	MEY42240602	Knob,Shutter	282B	4775JJ2019E	Hinge Assembly,Center	619B	3550JJ2024A	Cover,Valve
154A	MCK53463001	Cover,TV	282E	ACQ36833807	Cover Assembly,Hinge	619C	AJU55759401	Valve Assembly,Water
154B	MCR55148401	Decor,Cover TV	282F	MBL55502801	Cap,Duct	621E	4932JA3014A	Connector,Tube
155B	AEC65630901	Guide Assembly,Rail	286A	4984JJ3003A	BUSH	622B	MJH36429401	Supporter,Tube Guide
158A	3550JJ1104A	Cover,Lamp	286A	4984JJ3003A	BUSH	623A	5006JJ2004A	Cap,Cover
158E	MCK30060901	Cover,Lamp	301A	5421JJ1001B	Evaporator Assembly	623B	5006JJ2003A	Cap,Cover
167B	4890JL1002H	Shelf,Glass	304A	3551JJ2008B	Cover Assembly,Machinery(Rear)	623C	4770JA3001A	Band
170A	AJP65631101	Tray Assembly,Meat	305B	4580JJ3001A	Roller	623C	4770JA3001A	Band
200A	ADC52734111	Door Assembly,Freezer	305B	4580JJ3001A	Roller	623D	4932JA3009C	Connector,Tube
201A	ADD56666205	Door Foam Assembly,Freezer	305C	4J04238A	Pin,Common	625A	3550JJ2034A	Cover,Tube
203A	ADX52752608	Gasket Assembly,Door	305C	4J04238A	Pin,Common	627A	4930JA3054A	Holder,Pipe
212A	AED37083001	Handle Assembly,Refrigerator	307A	TCA32125901	Compressor,Set Assembly	627A	4930JA3054A	Holder,Pipe
212B	AED37133205	Handle Assembly,Freezer	309B	EBG43493101	Thermistor Assembly,PTC	627B	4930JA3091A	Holder,Bracket
212G	3846JD1019A	NAME PLATE	310A	4810JJ3033A	Bracket,Cover	627B	4930JA3091A	Holder,Bracket
212J	4620JJ2010C	STOPPER,HANDLE	312A	5040JA3031A	Damper,Compressor	903A	3550JJ0006D	Cover,Lower
230A	ADC65631901	Door Assembly,Refrigerator(Right)	313A	5040JJ3007A	Damper	903B	4930JJ2021A	Holder,Cover(Lower)
230B	ADC65632001	Door Assembly,Refrigerator(Left)	313A	5040JJ3007A	Damper	903D	6500JK1003A	Sensor
231A	ADD65632201	Door Foam Assembly,Refrigerator	314A	4620JA3009A	Stopper,Compressor	903E	6500JK1004A	Sensor
231B	ADD65632401	Door Foam Assembly,Refrigerator	315A	3103JJ1001J	Base Assembly,Compressor	B01	1STZJA3004F	Screw,Customized
233A	4987JJ2003N	Gasket Assembly,Door	317A	5851JJ2002F	Drier Assembly	B04	1STZJA3001B	Screw,Customized
233B	4987JJ2003P	Gasket Assembly,Door	318A	4930JA3034A	Holder,Drier	S01	1SZZJJ3010A	Screw,Customized
233C	ACQ67902601	Cover Assembly,Front	319A	3390JJ0004A	Tray,Drip	S22	J471-00001J	Screw,Customized
233D	ACQ67902602	Cover Assembly,Front	319C	MEA41997401	Guide,Fan	S24	1SZZJA3011B	Screw,Customized
233E	4930JJ2028B	Holder,Gasket	319E	4810JJ2005A	Bracket,Motor	S25	1SBZJA3004K	Screw,Customized
233F	4930JJ2028A	Holder,Gasket	323B	5403JJ1007A	Condenser Assembly,Wire	S27	4J01424C	Screw,Customized
233G	4430JJ2005B	Cam,Shaft	327A	5006JA3034A	Cap,Drain Tube	S27	4J01424C	Screw,Customized
233H	4430JJ2005A	Cam,Shaft	328A	4J03020A	Damper,Pipe	S28	1SZZJJ3005E	Screw,Customized
237C	4974JJ1021A	Guide,Drawer	328B	4J04328A	Damper,Pipe	S31	4000W4A003A	Screw,Customized
241A	MCK55148701	Cover,Bucket	329A	5901JJ1005A	Fan Assembly	S38	4J00415D	Screw,Customized
241B	MK53467401	Bucket,Dairy	329C	ADP36665702	Fan Assembly			

795.78342.800

Loc No.	Part No.	Description	Loc No.	Part No.	Description	Loc No.	Part No.	Description
103A	3650JJ2003E	Handle,Rear	241C	AAP65631401	Basket Assembly,Door	332A	3531JJ1004A	Grille Assembly,Fan
103B	3650JJ2003A	Handle,Rear	241F	AKC65631501	Bucket Assembly,Dairy	401A	6615JB2005C	Controller Assembly
103C	3551JJ1015B	Cover Assembly,Lower	241H	MAN53467001	Basket,Door	402A	6600JB3007A	Switch,Push Button
103E	5218JJ3001A	Rail,Slide	243A	4620JJ3006A	Stopper,Door	402A	6600JB3007A	Switch,Push Button
103E	5218JJ3001A	Rail,Slide	243A	4620JJ3006A	Stopper,Door	404A	4681JK1004A	AC Motor
104E	4931JJ3002A	Holder Assembly,Gasket	243B	4620JJ2009A	Stopper,Door	405A	4811JJ2002A	Bracket Assembly,Motor
105A	5251JA3003B	Tube Assembly,Drain	243B	4620JJ2009A	Stopper,Door	405B	5040JJ2001A	Capacitor,Motor Support
105F	5070JJ3002A	Skirt,Lower	248E	3806JJ1048A	Decor,Tray	405C	5040JA2009B	Damper,Motor Support
106A	4779JA2003A	Leg Assembly,Adjust	248F	3806JJ2011B	Decor,Tray	405F	5040JA2004B	Damper,Motor Support
120B	ADJ65631801	Duct Assembly,Multi	248G	MCR53464901	Decor,Shelf	405G	4811JJ2002H	Bracket Assembly,Motor
125D	4930JJ3007A	Holder,Bracket	248G	MCR53464901	Decor,Shelf	406B	6600JB1010A	Switch,Push Button
128A	4975JJ2002A	Guide Assembly,Rail	248H	MCR53466301	Decor,Shelf	409B	6912JK2002C	Lamp,Incandescent
128B	4975JJ2002B	Guide Assembly,Rail	248J	MCR55502702	Decor,Shelf	409D	3034JJ1002B	Reflector,Lamp
128E	4930JJ1025B	Holder,Rail	248K	MCR55502701	Decor,Shelf	410A	6621JK2003B	Harness Assembly
128F	4930JJ1025A	Holder,Rail	248L	MCR53467102	Decor,Basket	410C	4932JJ2006C	Connector,Tilt
131A	5074JJ1055A	BUCKET,ICE	248M	MCR53467101	Decor,Basket	410G	OCZZJB2012J	Capacitor,Electric Appliance Film,Box
135C	3550JJ2030A	Cover,Grille Fan	249C	ACJ32471702	Connector Assembly	411A	6411JK1006A	Power Cord Assembly
136A	3391JJ1011B	Tray Assembly,Drawer	249D	ACJ32471701	Connector Assembly	418A	5300JB1100J	Heater,Sheath
136B	3390JJ1090A	Tray,Drawer	249E	5218JA1010E	Rail,Slide	420A	4681JB1029J	Motor,DC
141A	AHT65631201	Shelf Assembly,Refrigerator	249F	5218JA1010F	Rail,Slide	501A	6871JK1011G	PCB Assembly,Main
141B	MHL53464801	Shelf,Refrigerator	249J	ACJ32308804	Connector Assembly	501F	3551JJ1020A	Cover Assembly,PCB
141B	MHL53464801	Shelf,Refrigerator	249K	ACJ32308803	Connector Assembly	503D	3110JJ1021A	Case,Display
141C	5027JJ2005C	Shelf Assembly,Net	249L	MCK30136701	Cover,Connector	503F	ABQ33905306	Case Assembly,Display
141D	AHT67066001	Shelf Assembly,Refrigerator	249M	MCK30136702	Cover,Connector	600A	5989JA0002Q	Ice Maker Assembly,Kit
141E	5027JJ2005F	Shelf Assembly,Net	249Q	ACJ67019901	Connector Assembly	600C	MEA32865501	Guide,Tube
141F	5027JJ2005D	Shelf Assembly,Net	250A	4270JJ3001E	Bar	602A	4931JA3005B	Holder Assembly,Bracket
143F	AHT65631202	Shelf Assembly,Refrigerator	250B	4403JJ3001A	Connector Assembly	602A	4931JA3005B	Holder Assembly,Bracket
145A	4930JJ2003A	Holder,Shelf	250B	4403JJ3001A	Connector Assembly	610A	3550JJ2020A	Cover,Sensor
145B	4930JJ2004A	Holder,Shelf	262A	4930JA3093A	Holder,Bracket	611C	3550JJ1008C	Cover,Filter
145C	4975JJ2028C	Guide Assembly,Rail	262D	4004JA3002A	Clip	611D	3550JJ2028B	Cover,Filter
145F	4975JJ2028D	Guide Assembly,Rail	262E	4350JA3005B	Ring	611E	5231JA2005E	Filter Assembly,Head
145G	AEC65631002	Guide Assembly,TV	262H	4775JJ2019B	Hinge Assembly,Center	615A	4839JJ2002B	Tank Assembly,Water
145H	AEC65631001	Guide Assembly,TV	271A	AEH36437001	Hinge Assembly,Upper	616A	5210JA2012A	Tube,Inject
147A	5074JJ1005A	Bucket,Dairy	271C	AEH36437002	Hinge Assembly,Upper	616B	5210JA3005U	Tube,Plastic
147C	3550JJ1017A	Cover,Bucket	280A	ACQ54093308	Cover Assembly,Dispenser	616E	5211JA2003B	Tube Assembly,Inject
149C	AHT67066101	Shelf Assembly,Refrigerator	281A	ACQ36833802	Cover Assembly,Hinge	616F	5210JA3004B	Tube,Plastic
149E	AHT65631301	Shelf Assembly,Refrigerator	281D	3550JJ2043A	Cover,Hinge	616G	5210JA3005P	Tube,Plastic
151A	AJP65630802	Tray Assembly,Vegetable	281G	3550JJ2044A	Cover,Hinge	618A	5210JJ3006B	Tube,Inject
151B	AJP65630801	Tray Assembly,Vegetable	281H	4775JJ2011B	Hinge Assembly,Lower	619A	5220JA2013A	Valve,Water
151C	MEY42240602	Knob,Shutter	282B	4775JJ2019A	Hinge Assembly,Center	619B	3550JJ2024A	Cover,Valve
154A	MCK53463001	Cover,TV	282E	ACQ36833801	Cover Assembly,Hinge	619C	AJU55759401	Valve Assembly,Water
154B	MCR55148401	Decor,Cover TV	282F	MBL55502801	Cap,Duct	621E	4932JA3014A	Connector,Tube
155B	AEC65630901	Guide Assembly,Rail	286A	4984JJ3003A	BUSH	622B	MJH36429401	Supporter,Tube Guide
158A	3550JJ1104A	Cover,Lamp	286A	4984JJ3003A	BUSH	623A	5006JJ2004A	Cap,Cover
158E	MCK30060901	Cover,Lamp	301A	5421JJ1001B	Evaporator Assembly	623B	5006JJ2003A	Cap,Cover
167B	4890JJ1002H	Shelf,Glass	304A	3551JJ2008B	Cover Assembly,Machinery(Rear)	623C	4770JA3001A	Band
170A	AJP65631101	Tray Assembly,Meat	305B	4580JJ3001A	Roller	623C	4770JA3001A	Band
200A	ADC52734112	Door Assembly,Freezer	305B	4580JJ3001A	Roller	623D	4932JA3009C	Connector,Tube
201A	ADD36429911	Door Foam Assembly,Freezer	305C	4J04238A	Pin,Common	625A	3550JJ2034A	Cover,Tube
203A	ADX52752607	Gasket Assembly,Door	305C	4J04238A	Pin,Common	627A	4930JA3054A	Holder,Pipe
212A	AED37083003	Handle Assembly,Refrigerator	307A	TCA32125901	Compressor,Set Assembly	627A	4930JA3054A	Holder,Pipe
212B	AED37133207	Handle Assembly,Freezer	309B	EBG43493101	Thermistor Assembly,PTC	627B	4930JA3091A	Holder,Bracket
212G	3846JD1019A	NAME PLATE	310A	4810JJ3033A	Bracket,Cover	627B	4930JA3091A	Holder,Bracket
212J	4620JJ2010C	STOPPER,HANDLE	312A	5040JA3031A	Damper,Compressor	903A	3550JJ0006A	Cover,Lower
230A	ADC65631902	Door Assembly,Refrigerator(Right)	313A	5040JJ3007A	Damper	903B	4930JJ2021A	Holder,Cover(Lower)
230B	ADC65632002	Door Assembly,Refrigerator(Left)	313A	5040JJ3007A	Damper	903D	6500JK1003A	Sensor
231A	ADD65632202	Door Foam Assembly,Refrigerator	314A	4620JA3009A	Stopper,Compressor	903E	6500JK1004A	Sensor
231B	ADD65632402	Door Foam Assembly,Refrigerator	315A	3103JJ1001J	Base Assembly,Compressor	B01	1STZJA3004F	Screw,Customized
233A	4987JJ2003E	Gasket Assembly,Door	317A	5851JJ2002F	Drier Assembly	B04	1STZJA3001B	Screw,Customized
233B	4987JJ2003G	Gasket Assembly,Door	318A	4930JA3034A	Holder,Drier	S01	1SZZJ3010A	Screw,Customized
233C	ACQ67902601	Cover Assembly,Front	319A	3390JJ0004A	Tray,Drip	S22	J471-00001J	Screw,Customized
233D	ACQ67902602	Cover Assembly,Front	319C	MEA41997401	Guide,Fan	S24	1SZZJA3011B	Screw,Customized
233E	4930JJ2028B	Holder,Gasket	319E	4810JJ2005A	Bracket,Motor	S25	1SBZJA3004K	Screw,Customized
233F	4930JJ2028A	Holder,Gasket	323B	5403JJ1007A	Condenser Assembly,Wire	S27	4J01424C	Screw,Customized
233G	4430JJ2005B	Cam,Shaft	327A	5006JA3034A	Cap,Drain Tube	S27	4J01424C	Screw,Customized
233H	4430JJ2005A	Cam,Shaft	328A	4J03020A	Damper,Pipe	S28	1SZZJ3005E	Screw,Customized
237C	4974JJ1021A	Guide,Drawer	328B	4J04328A	Damper,Pipe	S31	4000W4A003A	Screw,Customized
241A	MCK55148701	Cover,Bucket	329A	5901JJ1005A	Fan Assembly	S38	4J00415D	Screw,Customized
241B	MKK53467401	Bucket,Dairy	329C	ADP36665702	Fan Assembly			

795.78353.800								
Loc No.	Part No.	Description	Loc No.	Part No.	Description	Loc No.	Part No.	Description
103A	3650J2003H	Handle,Rear	241C	AAP65631401	Basket Assembly,Door	329C	ADP36665702	Fan Assembly
103B	3650J2003D	Handle,Rear	241E	5004JJ0171A	BASKET,DOOR	332A	3531JJ1004A	Grille Assembly,Fan
103C	3551JJ1015H	Cover Assembly,Lower	241F	AKC65631501	Bucket Assembly,Dairy	401A	6615JB2005C	Controller Assembly
103E	5218JJ3001A	Rail,Slide	241H	MAN53467001	Basket,Door	402A	6600JB3007B	Switch,Push Button
103E	5218JJ3001A	Rail,Slide	243A	4620JJ3006D	Stopper,Door	402A	6600JB3007B	Switch,Push Button
104E	4931JJ3002A	Holder Assembly,Gasket	243A	4620JJ3006D	Stopper,Door	404A	4681JK1004A	AC Motor
105A	5251JA3003B	Tube Assembly,Drain	243B	4620JJ2009A	Stopper,Door	405A	4811JJ2002A	Bracket Assembly,Motor
105F	5070JJ3002A	Skirt,Lower	243B	4620JJ2009A	Stopper,Door	405B	5040JJ2001A	Damper,Motor Support
106A	4779JA2003A	Leg Assembly,Adjust	248E	3806JJ1048A	Decor,Tray	405C	5040JA2009B	Damper,Motor Support
120B	ADJ65631801	Duct Assembly,Multi	248F	3806JL2011B	Decor,Tray	405F	5040JA2004B	Damper,Motor Support
125D	4930JJ3007A	Holder,Bracket	248G	MCR53464901	Decor,Shelf	405G	4811JJ2002H	Bracket Assembly,Motor
128A	4975JJ2002A	Guide Assembly,Rail	248G	MCR53464901	Decor,Shelf	406B	6600JB1010A	Switch,Push Button
128B	4975JJ2002B	Guide Assembly,Rail	248H	MCR53466301	Decor,Shelf	409B	6912JK2002C	Lamp,Incandescent
128E	4930JJ1025B	Holder,Rail	248J	MCR55502702	Decor,Shelf	409D	3034JJ1002B	Reflector,Lamp
128F	4930JJ1025A	Holder,Rail	248K	MCR55502701	Decor,Shelf	410A	6621JK2003B	Harness Assembly
131A	5074JJ1055A	BUCKET,ICE	248L	MCR53467102	Decor,Basket	410C	4932JJ2006C	Connector,Tilt
135C	3550JJ2030A	Cover,Grille Fan	248M	MCR53467101	Decor,Basket	410G	0CZZJB2012J	Capacitor,Electric Appliance Film,Box
136A	3391JJ1011B	Tray Assembly,Drawer	249C	ACJ32471702	Connector Assembly	411A	6411JK1006A	Damper Cord Assembly
136B	3390JJ1090A	Tray,Drawer	249D	ACJ32471701	Connector Assembly	418A	5300JB1100J	Heater,Sheath
141A	AHT65631201	Shelf Assembly,Refrigerator	249E	5218JA1010E	Rail,Slide	420A	4681JB1029J	Motor,DC
141B	MHL53464801	Shelf,Refrigerator	249F	5218JA1010F	Rail,Slide	501A	6871JK1011G	PCB Assembly,Main
141B	MHL53464801	Shelf,Refrigerator	249J	ACJ32308804	Connector Assembly	501F	3551JJ1020A	Cover Assembly,PCB
141C	5027JJ2005C	Shelf Assembly,Net	249K	ACJ32308803	Connector Assembly	503D	3110JJ1021A	Case,Display
141D	AHT67066001	Shelf Assembly,Refrigerator	249L	MCK30136701	Cover,Connector	503F	ABQ33905306	Case Assembly,Display
141E	5027JJ2005F	Shelf Assembly,Net	249M	MCK30136702	Cover,Connector	600A	5989JA0002Q	Ice Maker Assembly,Kit
141F	5027JJ2005D	Shelf Assembly,Net	249Q	ACJ67019901	Connector Assembly	600C	MEA32865501	Guide,Tube
143F	AHT65631202	Shelf Assembly,Refrigerator	250A	4270JJ3001E	Bar	602A	4931JA3005B	Holder Assembly,Bracket
145A	4930JJ2003A	Holder,Shelf	250B	4403JJ3001A	Connector Assembly	602A	4931JA3005B	Holder Assembly,Bracket
145B	4930JJ2004A	Holder,Shelf	250B	4403JJ3001A	Connector Assembly	610A	3550JJ2020A	Cover,Sensor
145C	4975JJ2028C	Guide Assembly,Rail	262A	4930JA3093A	Holder,Bracket	611C	3550JL1008C	Cover,Filter
145F	4975JJ2028D	Guide Assembly,Rail	262D	4004JA3002A	Clip	611D	3550JJ2028B	Cover,Filter
145G	AEC65631002	Guide Assembly,TV	262E	4350JA3005B	Ring	611E	5231JA2005E	Filter Assembly,Head
145H	AEC65631001	Guide Assembly,TV	262H	4775JJ2019F	Hinge Assembly,Center	615A	4839JJ2002B	Tank Assembly,Water
147A	5074JJ1005A	Bucket,Dairy	271A	AEH36437001	Hinge Assembly,Upper	616A	5210JA2012F	Tube,Inject
147C	3550JJ1017A	Cover,Bucket	271C	AEH36437002	Hinge Assembly,Upper	616B	5210JA3005U	Tube,Plastic
149C	AHT67066101	Shelf Assembly,Refrigerator	280A	ACQ54093306	Cover Assembly,Dispenser	616E	5211JA3003B	Tube Assembly,Inject
149E	AHT65631301	Shelf Assembly,Refrigerator	281A	ACQ36833808	Cover Assembly,Hinge	616F	5210JA3004B	Tube,Plastic
151A	AJP65630802	Tray Assembly,Vegetable	281D	3550JJ2043A	Cover,Hinge	616G	5210JA3005P	Tube,Plastic
151B	AJP65630801	Tray Assembly,Vegetable	281G	3550JJ2044A	Cover,Hinge	618A	5210JJ3006B	Tube,Inject
151C	MEY42240602	Knob,Shutter	281H	4775JJ2011B	Hinge Assembly,Lower	619A	5220JA2013A	Valve,Water
154A	MCK53463001	Cover,TV	282B	4775JJ2019E	Hinge Assembly,Center	619B	3550JJ2024A	Cover,Valve
154B	MCR55148401	Decor,Cover TV	282E	ACQ36833807	Cover Assembly,Hinge	619C	AJU55759401	Valve Assembly,Water
155B	AEC65630901	Guide Assembly,Rail	282F	MBL55502801	Cap,Duct	621E	4932JA3014A	Connector,Tube
158A	3550JJ1104A	Cover,Lamp	286A	4984JJ3003A	BUSH	622B	MJH36429401	Supporter,Tube Guide
158E	MCK30060901	Cover,Lamp	286A	4984JJ3003A	BUSH	623A	5006JJ2004A	Cap,Cover
167B	4890JJ1002H	Shelf,Glass	301A	5421JJ1001B	Evaporator Assembly	623B	5006JJ2003A	Cap,Cover
170A	AJP65631101	Tray Assembly,Meat	304A	3551JJ2008B	Cover Assembly,Machinery(Rear)	623C	4770JA3001A	Band
200A	ADC52734111	Door Assembly,Freezer	305B	4580JJ3001A	Roller	623C	4770JA3001A	Band
201A	ADD56666205	Door Foam Assembly,Freezer	305B	4580JJ3001A	Roller	623D	4932JA3009C	Connector,Tube
203A	ADX52752608	Gasket Assembly,Door	305C	4J04238A	Pin,Common	625A	3550JJ2034A	Cover,Tube
212A	AED37083001	Handle Assembly,Refrigerator	305C	4J04238A	Pin,Common	627A	4930JA3054A	Holder,Pipe
212B	AED37133205	Handle Assembly,Freezer	307A	TCA32125901	Compressor,Set Assembly	627A	4930JA3054A	Holder,Pipe
212G	3846JD1019A	NAME PLATE	309B	EBG43493101	Thermistor Assembly,PTC	627B	4930JA3091A	Holder,Bracket
212J	4620JJ2010C	STOPPER,HANDLE	310A	4810JJ3033A	Bracket,Cover	627B	4930JA3091A	Holder,Bracket
230A	ADC65631901	Door Assembly,Refrigerator(Right)	312A	5040JA3031A	Damper,Compressor	903A	3550JJ0006D	Cover,Lower
230B	ADC65632001	Door Assembly,Refrigerator(Left)	313A	5040JJ3007A	Damper	903B	4930JJ2021A	Holder,Cover(Lower)
231A	ADD65632201	Door Foam Assembly,Refrigerator	313A	5040JJ3007A	Damper	903D	6500JK1003A	Sensor
231B	ADD65632401	Door Foam Assembly,Refrigerator	314A	4620JA3009A	Stopper,Compressor	903E	6500JK1004A	Sensor
233A	4987JJ2003N	Gasket Assembly,Door	315A	3103JJ1001J	Base Assembly,Compressor	B01	1STZJA3004F	Screw,Customized
233B	4987JJ2003P	Gasket Assembly,Door	317A	5851JJ2002F	Drier Assembly	B04	1STZJA3001B	Screw,Customized
233C	ACQ67902601	Cover Assembly,Front	318A	4930JA3034A	Holder,Drier	S01	1SZZJJ3010A	Screw,Customized
233D	ACQ67902602	Cover Assembly,Front	319A	3390JJ0004A	Tray,Drip	S22	J471-00001J	Screw,Customized
233E	4930JJ2028B	Holder,Gasket	319C	MEA41997401	Guide,Fan	S24	1SZZJA3011B	Screw,Customized
233F	4930JJ2028A	Holder,Gasket	319E	4810JJ2005A	Bracket,Motor	S25	1SBZJA3004K	Screw,Customized
233G	4430JJ2005B	Cam,Shaft	323B	5403JJ1007A	Condenser Assembly,Wire	S27	4J01424C	Screw,Customized
233H	4430JJ2005A	Cam,Shaft	327A	5006JA3034A	Cap,Drain Tube	S27	4J01424C	Screw,Customized
237C	4974JJ1021A	Guide,Drawer	328A	4J03020A	Damper,Pipe	S28	1SZZJJ3005E	Screw,Customized
241A	MCK55148701	Cover,Bucket	328B	4J04328A	Damper,Pipe	S31	4000W4A003A	Screw,Customized
241B	MKK53467401	Bucket,Dairy	329A	5901JJ1005A	Fan Assembly	S38	4J00415D	Screw,Customized

795.78356.800								
Loc No.	Part No.	Description	Loc No.	Part No.	Description	Loc No.	Part No.	Description
103A	3650JJ2003H	Handle,Rear	241C	AAP65631401	Basket Assembly,Door	329C	ADP36665702	Fan Assembly
103B	3650JJ2003D	Handle,Rear	241E	5004JJ1071A	BASKET,DOOR	332A	3531JJ1004A	Grille Assembly,Fan
103C	3551JJ1015H	Cover Assembly,Lower	241F	AKC65631501	Basket Assembly,Dairy	401A	6615JB2005C	Controller Assembly
103E	5218JJ3001A	Rail,Slide	241H	MAN53467001	Basket,Door	402A	6600JB3007B	Switch,Push Button
103E	5218JJ3001A	Rail,Slide	243A	4620JJ3006D	Stopper,Door	402A	6600JB3007B	Switch,Push Button
104E	4931JJ3002A	Holder Assembly,Gasket	243A	4620JJ3006D	Stopper,Door	404A	4681JK1004A	AC Motor
105A	5251JA3003B	Tube Assembly,Drain	243B	4620JJ2009A	Stopper,Door	405A	4811JJ2002A	Bracket Assembly,Motor
105F	5070JJ3002A	Skirt,Lower	243B	4620JJ2009A	Stopper,Door	405B	5040JJ2001A	Damper,Motor Support
106A	4779JA2003A	Leg Assembly,Adjust	248E	3806JJ1048A	Decor,Tray	405C	5040JA2009B	Damper,Motor Support
120B	ADJ65631801	Duct Assembly,Multi	248F	3806JL2011B	Decor,Tray	405F	5040JA2004B	Damper,Motor Support
125D	4930JJ3007A	Holder,Bracket	248G	MCR53464901	Decor,Shelf	405G	4811JJ2002H	Bracket Assembly,Motor
128A	4975JJ2002A	Guide Assembly,Rail	248G	MCR53464901	Decor,Shelf	406B	6600JB1010A	Switch,Push Button
128B	4975JJ2002B	Guide Assembly,Rail	248H	MCR53466301	Decor,Shelf	409B	6912JK2002C	Lamp,Incandescent
128E	4930JJ1025B	Holder,Rail	248J	MCR55502702	Decor,Shelf	409D	3034JJ1002B	Reflector,Lamp
128F	4930JJ1025A	Holder,Rail	248K	MCR55502701	Decor,Shelf	410A	6621JK2003B	Harness Assembly
131A	5074JJ1055A	BUCKET,ICE	248L	MCR53467102	Decor,Basket	410C	4932JJ2006C	Connector,Tilt
135C	3550JJ2030A	Cover,Grille Fan	248M	MCR53467101	Decor,Basket	410G	OCZZJB2012J	Capacitor,Electric Appliance Film,Box
136A	3391JJ1011B	Tray Assembly,Drawer	249C	ACJ32471702	Connector Assembly	411A	6411JK1006A	Power Cord Assembly
136B	3390JJ1090A	Tray,Drawer	249D	ACJ32471701	Connector Assembly	418A	5300JB1100J	Heater,Sheath
141A	AHT65631201	Shelf Assembly,Refrigerator	249E	5218JA1010E	Rail,Slide	420A	4681JB1029J	Motor,DC
141B	MHL53464801	Shelf,Refrigerator	249F	5218JA1010F	Rail,Slide	501A	6871JK1011G	PCB Assembly,Main
141B	MHL53464801	Shelf,Refrigerator	249J	ACJ32308804	Connector Assembly	501F	3551JJ1020A	Cover Assembly,PCB
141C	5027JJ2005C	Shelf Assembly,Net	249K	ACJ32308803	Connector Assembly	503D	3110JJ1021A	Case,Display
141D	AHT67066001	Shelf Assembly,Refrigerator	249L	MCK30136701	Cover,Connector	503F	ABQ33905306	Case Assembly,Display
141E	5027JJ2005F	Shelf Assembly,Net	249M	MCK30136702	Cover,Connector	600A	5989JA0002Q	Ice Maker Assembly,Kit
141F	5027JJ2005D	Shelf Assembly,Net	249Q	ACJ67019901	Connector Assembly	600C	MEA32865501	Guide,Tube
143F	AHT65631202	Shelf Assembly,Refrigerator	250A	4270JJ3001E	Bar	602A	4931JA3005B	Holder Assembly,Bracket
145A	4930JJ2003A	Holder,Shelf	250B	4403JJ3001A	Connector Assembly	602A	4931JA3005B	Holder Assembly,Bracket
145B	4930JJ2004A	Holder,Shelf	250B	4403JJ3001A	Connector Assembly	610A	3550JJ2020A	Cover,Sensor
145C	4975JJ2028C	Guide Assembly,Rail	262A	4930JA3093A	Holder,Bracket	611C	3550JL1008C	Cover,Filter
145F	4975JJ2028D	Guide Assembly,Rail	262D	4004JA3002A	Clip	611D	3550JJ2028B	Cover,Filter
145G	AEC65631002	Guide Assembly,TV	262E	4350JA3005B	Ring	611E	5231JA2005E	Filter Assembly,Head
145H	AEC65631001	Guide Assembly,TV	262H	4775JJ2019F	Hinge Assembly,Center	615A	4839JJ2002B	Tank Assembly,Water
147A	5074JJ1005A	Bucket,Dairy	271A	AEH36437001	Hinge Assembly,Upper	616A	5210JA2012F	Tube,Inject
147C	3550JJ1017A	Cover,Bucket	271C	AEH36437002	Hinge Assembly,Upper	616B	5210JA3005U	Tube,Plastic
149C	AHT67066101	Shelf Assembly,Refrigerator	280A	ACQ54093306	Cover Assembly,Dispenser	616E	5211JA2003B	Tube Assembly,Inject
149E	AHT65631301	Shelf Assembly,Refrigerator	281A	ACQ36833808	Cover Assembly,Hinge	616F	5210JA3004B	Tube,Plastic
151A	AJP65630802	Tray Assembly,Vegetable	281D	3550JJ2043A	Cover,Hinge	616G	5210JA3005P	Tube,Plastic
151B	AJP65630801	Tray Assembly,Vegetable	281G	3550JJ2044A	Cover,Hinge	618A	5210JJ3006B	Tube,Inject
151C	MEY42240602	Knob,Shutter	281H	4775JJ2011B	Hinge Assembly,Lower	619A	5220JA2013A	Valve,Water
154A	MCK53463001	Cover,TV	282B	4775JJ2019E	Hinge Assembly,Center	619B	3550JJ2024A	Cover,Valve
154B	MCR55148401	Decor,Cover TV	282E	ACQ36833807	Cover Assembly,Hinge	619C	AJU55759401	Valve Assembly,Water
155B	AEC65630901	Guide Assembly,Rail	282F	MBL55502801	Cap,Duct	621E	4932JA3014A	Connector,Tube
158A	3550JJ1104A	Cover,Lamp	286A	4984JJ3003A	BUSH	622B	MJH36429401	Supporter,Tube Guide
158E	MCK30060901	Cover,Lamp	286A	4984JJ3003A	BUSH	623A	5006JJ2004A	Cap,Cover
167B	4890JL1002H	Shelf,Glass	301A	5421JJ1001B	Evaporator Assembly	623B	5006JJ2003A	Cap,Cover
170A	AJP65631101	Tray Assembly,Meat	304A	3551JJ2008B	Cover Assembly,Machinery(Rear)	623C	4770JA3001A	Band
200A	ADC65632103	Door Assembly,Freezer	305B	4580JJ3001A	Roller	623C	4770JA3001A	Band
201A	ADD65632503	Door Foam Assembly,Freezer	305B	4580JJ3001A	Roller	623D	4932JA3009C	Connector,Tube
203A	ADX52752608	Gasket Assembly,Door	305C	4J04238A	Pin,Common	625A	3550JJ2034A	Cover,Tube
212A	AED37083001	Handle Assembly,Refrigerator	305C	4J04238A	Pin,Common	627A	4930JA3054A	Holder,Pipe
212B	AED37133205	Handle Assembly,Freezer	307A	TCA32125901	Compressor,Set Assembly	627A	4930JA3054A	Holder,Pipe
212G	3846JD1019A	NAME PLATE	309B	EBG43493101	Thermistor Assembly,PTC	627B	4930JA3091A	Holder,Bracket
212J	4620JJ2010C	STOPPER,HANDLE	310A	4810JJ3033A	Bracket,Cover	627B	4930JA3091A	Holder,Bracket
230A	ADC65631905	Door Assembly,Refrigerator(Right)	312A	5040JA3031A	Damper,Compressor	903A	3550JJ0006D	Cover,Lower
230B	ADC65632005	Door Assembly,Refrigerator(Left)	313A	5040JJ3007A	Damper	903B	4930JJ2021A	Holder,Cover(Lower)
231A	ADD65632205	Door Foam Assembly,Refrigerator	313A	5040JJ3007A	Damper	903D	6500JK1003A	Sensor
231B	ADD65632405	Door Foam Assembly,Refrigerator	314A	4620JA3009A	Stopper,Compressor	903E	6500JK1004A	Sensor
233A	4987JJ2003N	Gasket Assembly,Door	315A	3103JJ1001J	Base Assembly,Compressor	B01	1STZJA3004F	Screw,Customized
233B	4987JJ2003P	Gasket Assembly,Door	317A	5851JJ2002F	Drier Assembly	B04	1STZJA3001B	Screw,Customized
233C	ACQ67902601	Cover Assembly,Front	318A	4930JA3034A	Holder,Drier	S01	1SZZJJ3010A	Screw,Customized
233D	ACQ67902602	Cover Assembly,Front	319A	3390JJ0004A	Tray,Drip	S22	J471-00001J	Screw,Customized
233E	4930JJ2028B	Holder,Gasket	319C	MEA41997401	Guide,Fan	S24	1SZZJA3011B	Screw,Customized
233F	4930JJ2028A	Holder,Gasket	319E	4810JJ2005A	Bracket,Motor	S25	1SBZJA3004K	Screw,Customized
233G	4430JJ2005B	Cam,Shaft	323B	5403JJ1007A	Condenser Assembly,Wire	S27	4J01424C	Screw,Customized
233H	4430JJ2005A	Cam,Shaft	327A	5006JA3034A	Cap,Drain Tube	S27	4J01424C	Screw,Customized
237C	4974JJ1021A	Guide,Drawer	328A	4J03020A	Damper,Pipe	S28	1SZZJJ3005E	Screw,Customized
241A	MCK55148701	Cover,Bucket	328B	4J04328A	Damper,Pipe	S31	4000W4A003A	Screw,Customized
241B	MKK53467401	Bucket,Dairy	329A	5901JJ1005A	Fan Assembly	S38	4J00415D	Screw,Customized

795.78346.800

Loc No.	Part No.	Description	Loc No.	Part No.	Description	Loc No.	Part No.	Description
103A	3650J2003H	Handle,Rear	241C	AAP65631401	Basket Assembly,Door	332A	3531JJ1004A	Grille Assembly,Fan
103B	3650J2003D	Handle,Rear	241F	AKC65631501	Bucket Assembly,Dairy	401A	6615JB2005C	Controller Assembly
103C	3551J11015H	Cover Assembly,Lower	241H	MAN53467001	Basket, Door	402A	6600JB3007B	Switch,Push Button
103E	5218J3001A	Rail,Slide	243A	4620JJ3006D	Stopper,Door	402A	6600JB3007B	Switch,Push Button
103E	5218J3001A	Rail,Slide	243A	4620JJ3006D	Stopper,Door	404A	4681JK1004A	AC Motor
104E	4931JJ3002A	Holder Assembly,Gasket	243B	4620JJ2009A	Stopper,Door	405A	4811JJ2002A	Bracket Assembly,Motor
105A	5251JA3003B	Tube Assembly,Drain	243B	4620JJ2009A	Stopper,Door	405B	5040JJ2001A	Damper,Motor Support
105F	5070JJ3002A	Skirt, Lower	248E	3806JJ1048A	Decor,Tray	405C	5040JA2009B	Damper,Motor Support
106A	4779JA2003A	Leg Assembly,Adjust	248F	3806JL2011B	Decor,Tray	405F	5040JA2004B	Damper,Motor Support
120B	ADJ65631801	Duct Assembly,Multi	248G	MCR53464901	Decor,Shelf	405G	4811JJ2002H	Bracket Assembly,Motor
125D	4930JJ3007A	Holder,Bracket	248G	MCR53464901	Decor,Shelf	406B	6600JB1010A	Switch,Push Button
128A	4975JJ2002A	Guide Assembly,Rail	248H	MCR53466301	Decor,Shelf	409B	6912JK2002C	Lamp, Incandescent
128B	4975JJ2002B	Guide Assembly,Rail	248J	MCR55502702	Decor,Shelf	409D	3034JJ1002B	Reflector,Lamp
128E	4930JJ1025B	Holder,Rail	248K	MCR5550270E	Decor,Shelf	410A	6621JK2003B	Harness Assembly
128F	4930JJ1025A	Holder,Rail	248L	MCR53467102	Decor,Basket	410C	4932JJ2006C	Connector,Tilt
131A	5074JJ1055A	BUCKET,ICE	248M	MCR53467101	Decor,Basket	410G	OCZZJB2012J	Capacitor,Electric Appliance Film,Box
135C	3550JJ2030A	Cover,Grille Fan	249C	ACJ32471702	Connector Assembly	411A	6411JK1006A	Power Cord Assembly
136A	3391JJ1011B	Tray Assembly,Drawer	249D	ACJ32471701	Connector Assembly	418A	5300JB1100J	Heater,Sheath
136B	3390JJ1090A	Tray,Drawer	249E	5218JA1010E	Rail, Slide	420A	4681JB1029J	Motor,DC
141A	AHT65631201	Shelf Assembly,Refrigerator	249F	5218JA1010F	Rail,Slide	501A	6871JK1011G	PCB Assembly,Main
141B	MHL53464801	Shelf,Refrigerator	249J	ACJ32308804	Connector Assembly	501F	3551JJ1020A	Cover Assembly,PCB
141B	MHL53464801	Shelf,Refrigerator	249K	ACJ32308803	Connector Assembly	503D	3110JJ1021A	Case,Display
141C	5027JJ2005C	Shelf Assembly,Net	249L	MCK30136701	Cover,Connector	503F	ABQ33905306	Case Assembly,Display
141D	AHT67066001	Shelf Assembly,Refrigerator	249M	MCK30136702	Cover,Connector	600A	5989JA0002Q	Ice Maker Assembly,Kit
141E	5027JJ2005F	Shelf Assembly,Net	249Q	ACJ67019901	Connector Assembly	600C	MEA32865501	Guide, Tube
141F	5027JJ2005D	Shelf Assembly,Net	250A	4270JJ3001E	Bar	602A	4931JA3005B	Holder Assembly,Bracket
143F	AHT65631202	Shelf Assembly,Refrigerator	250B	4403JJ3001A	Connector Assembly	602A	4931JA3005B	Holder Assembly,Bracket
145A	4930JJ2003A	Holder,Shelf	250B	4403JJ3001A	Connector Assembly	610A	3550JJ2020A	Cover,Sensor
145B	4930JJ2004A	Holder,Shelf	262A	4930JA3093A	Holder,Bracket	611C	3550JL1008C	Cover,Filter
145C	4975JJ2028C	Guide Assembly,Rail	262D	4004JA3002A	Clip	611D	3550JJ2028B	Cover,Filter
145F	4975JJ2028D	Guide Assembly,Rail	262E	4350JA3005B	Ring	611E	5231JA2005E	Filter Assembly,Head
145G	AEC65631002	Guide Assembly,TV	262H	4775JJ2019F	Hinge Assembly,Center	615A	4839JJ2002B	Tank Assembly,Water
145H	AEC65631001	Guide Assembly,TV	271A	AEH36437001	Hinge Assembly,Upper	616A	5210JA2012F	Valve,Inject
147A	5074JJ1005A	Bucket, Dairy	271C	AEH36437002	Hinge Assembly,Upper	616B	5210JA3005U	Tube,Plastic
147C	3550JJ1017A	Cover,Bucket	280A	ACQ54093306	Cover Assembly,Dispenser	616E	5211JA2003B	Tube Assembly,Inject
149C	AHT67066101	Shelf Assembly,Refrigerator	281A	ACQ36833808	Cover Assembly,Hinge	616F	5210JA3004B	Tube,Plastic
149E	AHT65631301	Shelf Assembly,Refrigerator	281D	3550JJ2043A	Cover,Hinge	616G	5210JA3005P	Tube,Plastic
151A	AJP65630802	Tray Assembly,Vegetable	281G	3550JJ2044A	Cover,Hinge	618A	5210JJ3006B	Tube,Inject
151B	AJP65630801	Tray Assembly,Vegetable	281H	4775JJ2011B	Hinge Assembly,Lower	619A	5220JA2013A	Valve,Water
151C	MEY42240602	Knob,Shutter	282B	4775JJ2019E	Hinge Assembly,Center	619B	3550JJ2024A	Cover,Valve
154A	MCK53463001	Cover,TV	282E	ACQ36833807	Cover Assembly,Hinge	619C	AJU55759401	Valve Assembly,Water
154B	MCR55148401	Decor,Cover TV	282F	MBL55502801	Cap,Duct	621E	4932JA3014A	Connector,Tube
155B	AEC65630901	Guide Assembly,Rail	286A	4984JJ3003A	BUSH	622B	MJH36429401	Supporter,Tube Guide
158A	3550JJ1104A	Cover,Lamp	286A	4984JJ3003A	BUSH	623A	5006JJ2004A	Cap,Cover
158E	MCK30060901	Cover,Lamp	301A	5421JJ1001B	Evaporator Assembly	623B	5006JJ2003A	Cap,Cover
167B	4890JL1002H	Shelf,Glass	304A	3551JJ2008B	Cover Assembly,Machinery(Rear)	623C	4770JA3001A	Band
170A	AJP65631101	Tray Assembly,Meat	305B	4580JJ3001A	Roller	623C	4770JA3001A	Band
200A	ADC65632103	Door Assembly,Freezer	305B	4580JJ3001A	Roller	623D	4932JA3009C	Connector,Tube
201A	ADD65632503	Door Foam Assembly,Freezer	305C	4J04238A	Pin,Common	625A	3550JJ2034A	Cover,Tube
203A	ADX52752608	Gasket Assembly,Door	305C	4J04238A	Pin,Common	627A	4930JA3054A	Holder,Pipe
212A	AED37083001	Handle Assembly,Refrigerator	307A	TCA32125901	Compressor,Set Assembly	627A	4930JA3054A	Holder,Pipe
212B	AED37133205	Handle Assembly,Freezer	309B	EBG43493101	Thermistor Assembly,PTC	627B	4930JA3091A	Holder,Bracket
212G	3846JD1019A	NAME PLATE	310A	4810JJ3033A	Bracket,Cover	627B	4930JA3091A	Holder,Bracket
212J	4620JJ2010C	STOPPER,HANDLE	312A	5040JA3031A	Damper,Compressor	903A	3550JJ0006D	Cover,Lower
230A	ADC65631905	Door Assembly,Refrigerator(Right)	313A	5040JJ3007A	Damper	903B	4930JJ2021A	Holder,Cover(Lower)
230B	ADC65632005	Door Assembly,Refrigerator(Left)	313A	5040JJ3007A	Damper	903D	6500JK1003A	Sensor
231A	ADD65632205	Door Foam Assembly,Refrigerator	314A	4620JA3009A	Stopper,Compressor	903E	6500JK1004A	Sensor
231B	ADD65632405	Door Foam Assembly,Refrigerator	315A	3103JJ1001J	Base Assembly,Compressor	B01	1STZJA3004F	Screw,Customized
233A	4987JJ2003N	Gasket Assembly,Door	317A	5851JJ2002F	Drier Assembly	B04	1STZJA3001B	Screw,Customized
233B	4987JJ2003P	Gasket Assembly,Door	318A	4930JA3034A	Holder,Drier	S01	1SZJJ3010A	Screw,Customized
233C	ACQ67902601	Cover Assembly,Front	319A	3390JJ0004A	Tray,Drip	S22	J471-00001J	Screw,Customized
233D	ACQ67902602	Cover Assembly,Front	319C	MEA41997401	Guide,Fan	S24	1SZZJA3011B	Screw,Customized
233E	4930JJ2028B	Holder,Gasket	319E	4810JJ2005A	Bracket,Motor	S25	1SBZJA3004K	Screw,Customized
233F	4930JJ2028A	Holder,Gasket	323B	5403JJ1007A	Condenser Assembly,Wire	S27	4J01424C	Screw,Customized
233G	4430JJ2005B	Cam,Shaft	327A	5006JA3034A	Cap,Drain Tube	S27	4J01424C	Screw,Customized
233H	4430JJ2005A	Cam,Shaft	328A	4J03020A	Damper,Pipe	S28	1SZZJJ3005E	Screw,Customized
237C	4974JJ1021A	Guide,Drawer	328B	4J04328A	Damper,Pipe	S31	4000W4A003A	Screw,Customized
241A	MCK55148701	Cover,Bucket	329A	5901JJ1005A	Fan Assembly	S38	4J00415D	Screw,Customized
241B	MKK53467401	Bucket, Dairy	329C	ADP36665702	Fan Assembly			



795.78352.800				
LOC NO	PART NO	DESCRIPTION	LOC NO PART NO DESCRIPTION	LOC NO PART NO DESCRIPTION
103A	3650JJ2003E	Handle,Rear	241C AAP65631401 Basket Assembly,Door	329C ADP36665702 Fan Assembly
103B	3650JJ2003A	Handle,Rear	241E 5004JJ1071A BASKET,DOOR	332A 3531JJ1004A Grille Assembly,Fan
103C	3551JJ1015B	Cover Assembly,Lower	241F AKC65631501 Bucket Assembly,Dairy	401A 6615JB2005C Controller Assembly
103E	5218JJ3001A	Rail,Slide	241H MAN53467001 Basket,Door	402A 6600JB3007A Switch,Push Button
103E	5218JJ3001A	Rail,Slide	243A 4620JJ3006A Stopper,Door	402A 6600JB3007A Switch,Push Button
104E	4931JJ3002A	Holder Assembly,Gasket	243A 4620JJ3006A Stopper,Door	404A 4681JK1004A AC Motor
105A	5251JA3003B	Tube Assembly,Drain	243B 4620JJ2009A Stopper,Door	405A 4811JJ2002A Bracket Assembly,Motor
105F	5070JJ3002A	Skirt,Lower	243B 4620JJ2009A Stopper,Door	405B 5040JJ2001A Damper,Motor Support
106A	4779JA2003A	Leg Assembly,Adjust	248E 3806JJ1048A Decor,Tray	405C 5040JA2009B Damper,Motor Support
120B	ADJ65631801	Duct Assembly,Multi	248F 3806JL2011B Decor,Tray	405F 5040JA2004B Damper,Motor Support
125D	4930JJ3007A	Holder,Bracket	248G MCR53464901 Decor,Shelf	405G 4811JJ2002H Bracket Assembly,Motor
128A	4975JJ2002A	Guide Assembly,Rail	248G MCR53464901 Decor,Shelf	406B 6600JB1010A Switch,Push Button
128B	4975JJ2002B	Guide Assembly,Rail	248H MCR53466301 Decor,Shelf	409B 6912JK2002C Lamp,Incandescent
128E	4930JJ1025B	Holder,Rail	248J MCR55502702 Decor,Shelf	409D 3034JJ1002B Reflector,Lamp
128F	4930JJ1025A	Holder,Rail	248K MCR55502701 Decor,Shelf	410A 6621JK2003B Harness Assembly
131A	5074JJ1055A	BUCKET,ICE	248L MCR53467102 Decor,Basket	410C 4932JJ2006C Connector,Tilt
135C	3550JJ2030A	Cover,Grille Fan	248M MCR53467101 Decor,Basket	410G 0CZZJB2012J Capacitor,Electric Appliance Film,Box
136A	3391JJ1011B	Tray Assembly,Drawer	249C ACJ32471702 Connector Assembly	411A 6411JK1006A Power Cord Assembly
136B	3390JJ1090A	Tray,Drawer	249D ACJ32471701 Connector Assembly	418A 5300JB1100J Heater,Sheath
141A	AHT65631201	Shelf Assembly,Refrigerator	249E 5218JA1010E Rail,Slide	420A 4681JB1029J Motor,DC
141B	MHL53464801	Shelf,Refrigerator	249F 5218JA1010F Rail,Slide	501A 6871JK1011G PCB Assembly,Main
141B	MHL53464801	Shelf,Refrigerator	249J ACJ3230880A Connector Assembly	501F 3551JJ1020A Cover Assembly,PCB
141C	5027JJ2005C	Shelf Assembly,Net	249K ACJ32308803 Connector Assembly	503D 3110JJ1021A Case,Display
141D	AHT67066001	Shelf Assembly,Refrigerator	249L MCK30136701 Cover,Connector	503F ABQ33905306 Case Assembly,Display
141E	5027JJ2005F	Shelf Assembly,Net	249M MCK30136702 Cover,Connector	600A 5989JA0002Q Ice Maker Assembly,Kit
141F	5027JJ2005D	Shelf Assembly,Net	249Q ACJ67019901 Connector Assembly	600C MEA32865501 Guide,Tube
143F	AHT65631202	Shelf Assembly,Refrigerator	250A 4270JJ3001E Bar	602A 4931JA3005B Holder Assembly,Bracket
145A	4930JJ2003A	Holder,Shelf	250B 4403JJ3001A Connector Assembly	602A 4931JA3005B Holder Assembly,Bracket
145B	4930JJ2004A	Holder,Shelf	250B 4403JJ3001A Connector Assembly	610A 3550JJ2020A Cover,Sensor
145C	4975JJ2028C	Guide Assembly,Rail	262A 4930JA3093A Holder,Bracket	611C 3550JL1008C Cover,Filter
145F	4975JJ2028D	Guide Assembly,Rail	262D 4004JA3002A Clip	611D 3550JJ2028B Cover,Filter
145G	AEC65631002	Guide Assembly,TV	262E 4350JA3005B Ring	611E 5231JA2005E Filter Assembly,Head
145H	AEC65631001	Guide Assembly,TV	262H 4775JJ2019B Hinge Assembly,Center	615A 4839JJ2002B Tank Assembly,Water
147A	5074JJ1005A	Bucket,Dairy	271A AEH36437001 Hinge Assembly,Upper	616A 5210JA2012A Tube,Inject
147C	3550JJ1017A	Cover,Bucket	271C AEH36437002 Hinge Assembly,Upper	616B 5210JA3005U Tube,Plastic
149C	AHT67066101	Shelf Assembly,Refrigerator	280A ACQ54093308 Cover Assembly,Dispenser	616E 5211JA2003B Tube Assembly,Inject
149E	AHT65631301	Shelf Assembly,Refrigerator	281A ACQ36833802 Cover Assembly,Hinge	616F 5210JA3004B Tube,Plastic
151A	AJP65630801	Tray Assembly,Vegetable	281D 3550JJ2043A Cover,Hinge	616G 5210JA3005P Tube,Plastic
151B	AJP65630801	Tray Assembly,Vegetable	281G 3550JJ2044A Cover,Hinge	618A 5210JJ3006B Tube,Inject
151C	MEY42240601	Knob,Shutter	281H 4775JJ2011B Hinge Assembly,Lower	619A 5220JA2013A Valve,Water
154A	MCK53463001	Cover,TV	282B 4775JJ2019A Hinge Assembly,Center	619B 3550JJ2024A Cover,Valve
154B	MCR55148401	Decor,Cover TV	282E ACQ36833801 Cover Assembly,Hinge	619C AJU55759401 Valve Assembly,Water
155B	AEC65630901	Guide Assembly,Rail	282F MBL55502801 Cap,Duct	621E 4932JA3014A Connector,Tube
158A	3550JJ1104A	Cover,Lamp	286A 4984JJ3003A BUSH	622B MJH36429401 Supporter,Tube Guide
158E	MCK30060901	Cover,Lamp	286A 4984JJ3003A BUSH	623A 5006JJ2004A Cap,Cover
167B	4890JL1002H	Shelf,Glass	301A 5421JJ1001B Evaporator Assembly	623B 5006JJ2003A Cap,Cover
170A	AJP65631101	Tray Assembly,Meat	304A 3551JJ2008B Cover Assembly,Machinery(Rear)	623C 4770JA3001A Band
200A	ADC52734112	Door Assembly,Freezer	305B 4580JJ3001A Roller	623C 4770JA3001A Band
201A	ADD36429911	Door Foam Assembly,Freezer	305B 4580JJ3001A Roller	623D 4932JA3009C Connector,Tube
203A	ADX52752607	Gasket Assembly,Door	305C 4J04238A Pin,Common	625A 3550JJ2034A Cover,Tube
212A	AED37083003	Handle Assembly,Refrigerator	305C 4J04238A Pin,Common	627A 4930JA3054A Holder,Pipe
212B	AED37133207	Handle Assembly,Freezer	307A TCA32125901 Compressor,Set Assembly	627A 4930JA3054A Holder,Pipe
212G	3846JD1019A	NAME PLATE	309B EBG43493101 Thermistor Assembly,PTC	627B 4930JA3091A Holder,Bracket
212J	4620JJ2010C	STOPPER,HANDLE	310A 4810JJ3033A Bracket,Cover	627B 4930JA3091A Holder,Bracket
230A	ADC65631902	Door Assembly,Refrigerator(Right)	312A 5040JA3031A Damper,Compressor	903A 3550J0006A Cover,Lower
230B	ADC65632002	Door Assembly,Refrigerator(Left)	313A 5040JJ3007A Damper	903B 4930JJ2021A Holder,Cover(Lower)
231A	ADD65632202	Door Foam Assembly,Refrigerator	313A 5040JJ3007A Damper	903D 6500JK1003A Sensor
231B	ADD65632402	Door Foam Assembly,Refrigerator	314A 4620JA3009A Stopper,Compressor	903E 6500JK1004A Sensor
233A	4987JJ2003E	Gasket Assembly,Door	315A 3103JJ1001J Base Assembly,Compressor	B01 1STZJA3004F Screw,Customized
233B	4987JJ2003G	Gasket Assembly,Door	317A 5851JJ2002F Drier Assembly	B04 1STZJA3001B Screw,Customized
233C	ACQ67902601	Cover Assembly,Front	318A 4930JA3034A Holder,Drier	S01 1SZZJJ3010A Screw,Customized
233D	ACQ67902602	Cover Assembly,Front	319A 3390JJ0004A Tray,Drip	S22 J47100001J Screw,Customized
233E	4930JJ2028B	Holder,Gasket	319C MEA41997401 Guide,Fan	S24 1SZZJA3011B Screw,Customized
233F	4930JJ2028A	Holder,Gasket	319E 4810JJ2005A Bracket,Motor	S25 1SBZJA3004K Screw,Customized
233G	4430JJ2005B	Cam,Shaft	323B 5403JJ1007A Condenser Assembly,Wire	S27 4J01424C Screw,Customized
233H	4430JJ2005A	Cam,Shaft	327A 5006JA3034A Cap,Drain Tube	S27 4J01424C Screw,Customized
237C	4974JJ1021A	Guide,Drawer	328A 4J03020A Damper,Pipe	S28 1SZZJJ3005E Screw,Customized
241A	MCK55148701	Cover,Bucket	328B 4J04328A Damper,Pipe	S31 4000W4A003A Screw,Customized
241B	MKK53467401	Bucket,Dairy	329A 5901JJ1005A Fan Assembly	S38 4J00415D Screw,Customized

## 795.78344.800

LOC NO	PART NO	DESCRIPTION	LOC NO	PART NO	DESCRIPTION	LOC NO	PART NO	DESCRIPTION
103A	3650JJ2003F	Handle,Rear	241C	AAP65631401	Basket Assembly,Door	332A	3531JJ1004A	Grille Assembly,Fan
103B	3650JJ2003B	Handle,Rear	241F	AKC65631501	Bucket Assembly,Dairy	401A	6615JB2005C	Controller Assembly
103C	3551JJ1015D	Cover Assembly,Lower	241H	MAN53467001	Basket,Door	402A	6600JB3007A	Switch,Push Button
103E	5218JJ3001A	Rail,Slide	243A	4620JJ3006B	Stopper,Door	402A	6600JB3007A	Switch,Push Button
103E	5218JJ3001A	Rail,Slide	243A	4620JJ3006B	Stopper,Door	404A	4681JK1004A	AC Motor
104E	4931JJ3002A	Holder Assembly,Gasket	243B	4620JJ2009A	Stopper,Door	405A	4811JJ2002A	Bracket Assembly,Motor
105A	5251JA3003B	Tube Assembly,Drain	243B	4620JJ2009A	Stopper,Door	405B	5040JJ2001A	Damper,Motor Support
105F	5070JJ3002A	Skirt,Lower	248E	3806JJ1048A	Decor,Tray	405C	5040JA2009B	Damper,Motor Support
106A	4779JA2003A	Leg Assembly,Adjust	248F	3806JL2011B	Decor,Tray	405F	5040JA2004B	Damper,Motor Support
120B	ADJ65631801	Duct Assembly,Multi	248G	MCR53464901	Decor,Shelf	405G	4811JJ2002H	Bracket Assembly,Motor
125D	4930JJ3007A	Holder,Bracket	248G	MCR53464901	Decor,Shelf	406B	6600JB1010A	Switch,Push Button
128A	4975JJ2002A	Guide Assembly,Rail	248H	MCR53466301	Decor,Shelf	409B	6912JK2002C	Lamp,Incandescent
128B	4975JJ2002B	Guide Assembly,Rail	248J	MCR55502702	Decor,Shelf	409D	3034JJ1002B	Reflector,Lamp
128E	4930JJ1025B	Holder,Rail	248K	MCR55502701	Decor,Shelf	410A	6621JK2003B	Harness Assembly
128F	4930JJ1025A	Holder,Rail	248L	MCR53467102	Decor,Basket	410C	4932JJ2006C	Connector,Tilt
131A	5074JJ1055A	BUCKET,ICE	248M	MCR53467101	Decor,Basket	410G	0CZZJB2012J	Capacitor,Electric Appliance Film,Box
135C	3550JJ2030A	Cover,Grille Fan	249C	ACJ32471702	Connector Assembly	411A	6411JK1006A	Power Cord Assembly
136A	3391JJ1011B	Tray Assembly,Drawer	249D	ACJ32471701	Connector Assembly	418A	5300JB1100J	Heater,Sheath
136B	3390JJ1090A	Tray,Drawer	249E	5218JA1010E	Rail,Slide	420A	4681JB1029J	Motor,DC
141A	AHT65631201	Shelf Assembly,Refrigerator	249F	5218JA1010F	Rail,Slide	501A	6871JK1011G	PCB Assembly,Main
141B	MHL53464801	Shelf,Refrigerator	249J	ACJ32308804	Connector Assembly	501F	3551JJ1020A	Cover Assembly,PCB
141B	MHL53464801	Shelf,Refrigerator	249K	ACJ32308803	Connector Assembly	503D	3110JJ1021A	Case,Display
141C	5027JJ2005C	Shelf Assembly,Net	249L	MCK30136701	Cover,Connector	503F	ABQ33905306	Case Assembly,Display
141D	AHT67066001	Shelf Assembly,Refrigerator	249M	MCK30136702	Cover,Connector	600A	5989JA0002Q	Ice Maker Assembly,Kit
141E	5027JJ2005F	Shelf Assembly,Net	249Q	ACJ67019901	Connector Assembly	600C	MEA32865501	Guide,Tube
141F	5027JJ2005D	Shelf Assembly,Net	250A	4270JJ3001E	Bar	602A	4931JA3005B	Holder Assembly,Bracket
143F	AHT65631202	Shelf Assembly,Refrigerator	250B	4403JJ3001A	Connector Assembly	602A	4931JA3005B	Holder Assembly,Bracket
145A	4930JJ2003A	Holder,Shelf	250B	4403JJ3001A	Connector Assembly	610A	3550JJ2020A	Cover,Sensor
145B	4930JJ2004A	Holder,Shelf	262A	4930JA3093A	Holder,Bracket	611C	3550JL1008C	Cover,Filter
145C	4975JJ2028C	Guide Assembly,Rail	262D	4004JA3002A	Clip	611D	3550JJ2028B	Cover,Filter
145F	4975JJ2028D	Guide Assembly,Rail	262E	4350JA3005B	Ring	611E	5231JA2005E	Filter Assembly,Head
145G	AEC65631002	Guide Assembly,TV	262H	4775JJ2019H	Hinge Assembly,Center	615A	4839JJ2002B	Tank Assembly,Water
145H	AEC65631001	Guide Assembly,TV	271A	AEH36437001	Hinge Assembly,Upper	616A	5210JA2012G	Tube,Inject
147A	5074JJ1005A	Bucket,Dairy	271C	AEH36437002	Hinge Assembly,Upper	616B	5210JA3005U	Tube,Plastic
147C	3550JJ1017A	Cover,Bucket	280A	ACQ54093309	Cover Assembly,Dispenser	616E	5211JA2003B	Tube Assembly,Inject
149C	AHT67066101	Shelf Assembly,Refrigerator	281A	ACQ36833806	Cover Assembly,Hinge	616F	5210JA3004B	Tube,Plastic
149E	AHT65631301	Shelf Assembly,Refrigerator	281D	3550JJ2043A	Cover,Hinge	616G	5210JA3005P	Tube,Plastic
151A	AJP65630802	Tray Assembly,Vegetable	281G	3550JJ2044A	Cover,Hinge	618A	5210JJ3006B	Tube,Inject
151B	AJP65630801	Tray Assembly,Vegetable	281H	4775JJ2011B	Hinge Assembly,Lower	619A	5220JA2013A	Valve,Water
151C	MEY42240602	Knob,Shutter	282B	4775JJ2019G	Hinge Assembly,Center	619B	3550JJ2024A	Cover,Valve
154A	MCK53463001	Cover,TV	282E	ACQ36833805	Cover Assembly,Hinge	619C	AJU55759401	Valve Assembly,Water
154B	MCR55148401	Decor,Cover TV	282F	MBL55502801	Cap,Duct	621E	4932JA3014A	Connector,Tube
155B	AEC65630901	Guide Assembly,Rail	286A	4984JJ3003A	BUSH	622B	MJH36429401	Supporter,Tube Guide
158A	3550JJ1104A	Cover,Lamp	286A	4984JJ3003A	BUSH	623A	5006JJ2004A	Cap,Cover
158E	MCK30060901	Cover,Lamp	301A	5421JJ1001B	Evaporator Assembly	623B	5006JJ2003A	Cap,Cover
167B	4890JL1002H	Shelf, Glass	304A	3551JJ2008B	Cover Assembly,Machinery(Rear)	623C	4770JA3001A	Band
170A	AJP65631101	Tray Assembly,Meat	305B	4580JJ3001A	Roller	623C	4770JA3001A	Band
200A	ADC65632102	Door Assembly,Freezer	305B	4580JJ3001A	Roller	623D	4932JA3009C	Connector,Tube
201A	ADD65632502	Door Foam Assembly,Freezer	305C	4J04238A	Pin,Common	625A	3550JJ2034A	Cover,Tube
203A	ADX52752607	Gasket Assembly,Door	305C	4J04238A	Pin,Common	627A	4930JA3054A	Holder,Pipe
212A	AED37083004	Handle Assembly,Refrigerator	307A	TCA32125901	Compressor,Set Assembly	627A	4930JA3054A	Holder,Pipe
212B	AED37133208	Handle Assembly,Freezer	309B	EBG43493101	Thermistor Assembly,PTC	627B	4930JA3091A	Holder,Bracket
212G	3846JD1019A	NAME PLATE	310A	4810JJ3003A	Bracket,Cover	627B	4930JA3091A	Holder,Bracket
212J	4620JJ2010C	STOPPER,HANDLE	312A	5040JA3031A	Damper,Compressor	903A	3550JJ0006B	Cover,Lower
230A	ADC65631904	Door Assembly,Refrigerator(Right)	313A	5040JJ3007A	Damper	903B	4930JJ2021A	Holder,Cover(Lower)
230B	ADC65632004	Door Assembly,Refrigerator(Left)	313A	5040JJ3007A	Damper	903D	6500JK1003A	Sensor
231A	ADD65632204	Door Foam Assembly,Refrigerator	314A	4620JA3009A	Stopper,Compressor	903E	6500JK1004A	Sensor
231B	ADD65632404	Door Foam Assembly,Refrigerator	315A	3103JJ1001J	Base Assembly,Compressor	B01	1STZJA3004F	Screw,Customized
233A	4987JJ2003E	Gasket Assembly,Door	317A	5851JJ2002F	Drier Assembly	B04	1STZJA3001B	Screw,Customized
233B	4987JJ2003G	Gasket Assembly,Door	318A	4930JA3034A	Holder,Drier	S01	1SZZJJ3010A	Screw,Customized
233C	ACQ67902601	Cover Assembly,Front	319A	3390JJ0004A	Tray,Drip	S22	J47100001J	Screw,Customized
233D	ACQ67902602	Cover Assembly,Front	319C	MEA41997401	Guide,Fan	S24	1SZZJA3011B	Screw,Customized
233E	4930JJ2028B	Holder,Gasket	319E	4810JJ2005A	Bracket,Motor	S25	1SBZJA3004K	Screw,Customized
233F	4930JJ2028A	Holder,Gasket	323B	5403JJ1007A	Condenser Assembly,Wire	S27	4J01424C	Screw,Customized
233G	4430JJ2005B	Cam,Shaft	327A	5006JA3034A	Cap,Drain Tube	S27	4J01424C	Screw,Customized
233H	4430JJ2005A	Cam,Shaft	328A	4J03020A	Damper,Pipe	S28	1SZZJJ3005E	Screw,Customized
237C	4974JJ1021A	Guide,Drawer	328B	4J04328A	Damper,Pipe	S31	4000W4A003A	Screw,Customized
241A	MCK55148701	Cover,Bucket	329A	5901JJ1005A	Fan Assembly	S38	4J00415D	Screw,Customized
241B	MKK53467401	Bucket,Dairy	329C	ADP36665702	Fan Assembly			

795.78354.800

LOC NO	PART NO	DESCRIPTION	LOC NO	PART NO	DESCRIPTION	LOC NO	PART NO	DESCRIPTION
103A	3650JJ2003F	Handle,Rear	241C	AAP65631401	Basket Assembly,Door	329C	ADP36665702	Fan Assembly
103B	3650JJ2003B	Handle,Rear	241E	5004JJ1071A	BASKET,DOOR	332A	3531JJ1004A	Grille Assembly,Fan
103C	3551JJ1015D	Cover Assembly,Lower	241F	AKC65631501	Bucket Assembly,Dairy	401A	6615JB2005C	Controller Assembly
103E	5218JJ3001A	Rail,Slide	241H	MAN53467001	Basket,Door	402A	6600JB3007A	Switch,Push Button
104E	4931JJ3002A	Holder Assembly,Gasket	243A	4620JJ3006B	Stopper,Door	402A	6600JB3007A	Switch,Push Button
105A	5251JA3003B	Tube Assembly,Drain	243A	4620JJ3006B	Stopper,Door	404A	4681JK1004A	AC Motor
105F	5070JJ3002A	Skirt,Lower	243B	4620JJ2009A	Stopper,Door	405A	4811JJ2002A	Bracket Assembly,Motor
106A	4779JA2003A	Leg Assembly,Adjust	243B	4620JJ2009A	Stopper,Door	405B	5040JJ2001A	Damper,Motor Support
120B	ADJ65631801	Duct Assembly,Multi	248E	3806JJ1048A	Decor,Tray	405C	5040JA2009B	Damper,Motor Support
125D	4930JJ3007A	Holder,Bracket	248F	3806JL2011B	Decor,Tray	405F	5040JA2004B	Damper,Motor Support
128A	4975JJ2002A	Cover,Grille Fan	248G	MCR53464901	Decor,Shelf	405G	4811JJ2002H	Bracket Assembly,Motor
128B	4975JJ2002B	Guide Assembly,Rail	248G	MCR53464901	Decor,Shelf	406B	6600JB1010A	Switch,Push Button
128E	4930JJ1025B	Holder,Rail	248H	MCR53466301	Decor,Shelf	409B	6912JK2002C	Lamp,Incandescent
128F	4930JJ1025B	Holder,Rail	248J	MCR55502702	Decor,Shelf	409D	3034JJ1002B	Reflector,Lamp
131A	5074JJ1055A	BUCKET,ICE	248K	MCR55502701	Decor,Shelf	410A	6621JK2003B	Motor,DC
135C	3550JJ2030A	Cover,Grille Fan	248L	MCR53467102	Decor,Basket	410C	4932JJ2006C	Connector,Tilt
136A	3391JJ1011B	Tray Assembly,Drawer	248M	MCR53467101	Decor,Basket	410G	0CZZJB2012J	Capacitor,Electric Appliance Film,Box
136B	3390JJ1090A	Tray,Drawer	249C	ACJ32471702	Connector Assembly	411A	6411JK1006A	Power Cord Assembly
141A	AHT65631201	Shelf Assembly,Refrigerator	249D	ACJ32471701	Connector Assembly	418A	5300JB1100J	Heater,Sheath
141B	MHL53464801	Shelf,Refrigerator	249E	5218JA1010E	Rail,Slide	420A	4681JB1029J	Motor,DC
141C	MHL53464801	Shelf,Refrigerator	249F	5218JA1010F	Rail,Slide	501A	6871JK1011G	PCB Assembly,Main
141D	5027JJ2005C	Shelf Assembly,Net	249J	ACJ3230880A	Connector Assembly	501F	3551JJ1020A	Cover Assembly,PCB
141E	AHT67066001	Shelf Assembly,Refrigerator	249K	ACJ32308803	Connector Assembly	503D	3110JJ1021A	Case,Display
141F	5027JJ2005D	Shelf Assembly,Net	249L	MCK30136701	Cover,Connector	503F	ABQ33905306	Case Assembly,Display
143F	AHT65631202	Shelf Assembly,Refrigerator	249M	MCK30136702	Cover,Connector	600A	5989JA0002Q	Ice Maker Assembly,Kit
145A	4930JJ2003A	Holder,Shelf	249Q	ACJ67019901	Connector Assembly	600C	MEA32865501	Guide,Tube
145B	4930JJ2004A	Holder,Shelf	250A	4270JJ3001E	Bar	602A	4931JA3005B	Holder Assembly,Bracket
145C	4975JJ2028C	Guide Assembly,Rail	250B	4403JJ3001A	Connector Assembly	602A	4931JA3005B	Holder Assembly,Bracket
145F	4975JJ2028D	Guide Assembly,Rail	250B	4403JJ3001A	Connector Assembly	610A	3550JJ2020A	Cover,Sensor
145G	AEC65631002	Guide Assembly,TV	262A	4930JA3093A	Holder,Bracket	611C	3550JJ1008C	Cover,Filter
145H	AEC65631001	Guide Assembly,TV	262D	4004JA3002A	Clip	611D	3550JJ2028B	Cover,Filter
147A	5074JJ1005A	Bucket,Dairy	262E	4350JA3005B	Ring	611E	5231JA2005E	Filter Assembly,Head
147C	3550JJ1017A	Cover,Bucket	262H	4775JJ2019H	Hinge Assembly,Center	615A	4839JJ2002B	Tank Assembly,Water
149C	AHT67066101	Shelf Assembly,Refrigerator	271A	AEH36437001	Hinge Assembly,Upper	616A	5210JA2012G	Tube,Inject
149E	AHT65631301	Shelf Assembly,Refrigerator	271C	AEH36437002	Hinge Assembly,Upper	616B	5210JA3005U	Tube,Plastic
151A	AJP65630802	Tray Assembly,Vegetable	280A	ACQ54093309	Cover Assembly,Dispenser	616E	5211JA2003B	Tube Assembly,Inject
151B	AJP65630801	Tray Assembly,Vegetable	281A	ACQ36833806	Cover Assembly,Hinge	616F	5210JA3004B	Tube,Plastic
151C	MEY42240602	Knob,Shutter	281D	3550JJ2043A	Cover,Hinge	616G	5210JA3005P	Tube,Plastic
154A	MCK53463001	Cover,TV	281G	3550JJ2044A	Cover,Hinge	618A	5210JJ3006B	Tube,Inject
154B	MCR55148401	Decor,Cover TV	281H	4775JJ2011B	Hinge Assembly,Lower	619A	5220JA2013A	Valve,Water
155B	AEC65630901	Guide Assembly,Rail	282B	4775JJ2019G	Hinge Assembly,Center	619B	3550JJ2024A	Cover,Valve
158A	3550JJ1104A	Cover,Lamp	282E	ACQ36833805	Cover Assembly,Hinge	619C	AJU55759401	Valve Assembly,Water
158E	MCK30060901	Cover,Lamp	282F	MBL55502801	Cap,Duct	621E	4932JA3014A	Connector,Tube
167B	4890JL1002H	Shelf,Glass	286A	4984JJ3003A	BUSH	622B	MJH36429401	Supporter,Tube Guide
170A	AJP65631101	Tray Assembly,Meat	286A	4984JJ3003A	BUSH	623A	5006JJ2004A	Cap,Cover
200A	ADC65632102	Door Assembly,Freezer	301A	5421JJ1001B	Evaporator Assembly	623B	5006JJ2003A	Cap,Cover
201A	ADD65632502	Door Foam Assembly,Freezer	304A	3551JJ2008B	Cover Assembly,Machinery(Rear)	623C	4770JA3001A	Band
203A	ADX52752607	Gasket Assembly,Door	305B	4580JJ3001A	Roller	623C	4770JA3001A	Band
212A	AED37083004	Handle Assembly,Refrigerator	305B	4580JJ3001A	Roller	623D	4932JA3009C	Connector,Tube
212B	AED37133208	Handle Assembly,Freezer	305C	4J04238A	Pin,Common	625A	3550JJ2034A	Cover,Tube
212G	3846JD1019A	NAME PLATE	305C	4J04238A	Pin,Common	627A	4930JA3054A	Holder,Pipe
212J	4620JJ2010C	STOPPER,HANDLE	307A	TCA32125901	Compressor,Set Assembly	627A	4930JA3054A	Holder,Pipe
230A	ADC65631904	Door Assembly,Refrigerator(Right)	309B	EBG43493101	Thermistor Assembly,PTC	627B	4930JA3091A	Holder,Bracket
230B	ADC65632004	Door Assembly,Refrigerator(Left)	310A	4810JJ3033A	Bracket,Cover	627B	4930JA3091A	Holder,Bracket
231A	ADD65632204	Door Foam Assembly,Refrigerator	312A	5040JA3031A	Damper,Compressor	903A	3550JJ0006B	Cover,Lower
231B	ADD65632404	Door Foam Assembly,Refrigerator	313A	5040JJ3007A	Damper	903B	4930JJ2021A	Holder,Cover(Lower)
233A	4987JJ2003E	Gasket Assembly,Door	313A	5040JJ3007A	Damper	903D	6500JK1003A	Sensor
233B	4987JJ2003G	Gasket Assembly,Door	314A	4620JA3009A	Stopper,Compressor	903E	6500JK1004A	Sensor
233C	ACQ67902601	Cover Assembly,Front	315A	3103JJ1001J	Base Assembly,Compressor	B01	1STZJA3004F	Screw,Customized
233D	ACQ67902602	Cover Assembly,Front	317A	5851JJ2002F	Drier Assembly	B04	1STZJA3001B	Screw,Customized
233E	4930JJ2028B	Holder,Gasket	318A	4930JA3034A	Holder,Drier	S01	1SZJJ3010A	Screw,Customized
233F	4930JJ2028A	Holder,Gasket	319A	3390JJ0004A	Tray,Drip	S22	J47100001J	Screw,Customized
233G	4430JJ2005B	Cam,Shaft	319C	MEA41997401	Guide,Fan	S24	1SZZJA3011B	Screw,Customized
233H	4430JJ2005A	Cam,Shaft	319E	4810JJ2005A	Bracket,Motor	S25	1SBZJA3004K	Screw,Customized
237C	4974JJ1021A	Guide,Drawer	323B	5403JJ1007A	Condenser Assembly,Wire	S27	4J01424C	Screw,Customized
241A	MCK55148701	Cover,Bucket	327A	5006JA3034A	Cap,Drain Tube	S27	4J01424C	Screw,Customized
241B	MCK53467401	Bucket,Dairy	328A	4J03020A	Damper,Pipe	S28	1SZZJJ3005E	Screw,Customized
			328B	4J04328A	Damper,Pipe	S31	4000W4A003A	Screw,Customized
			329A	5901JJ1005A	Fan Assembly	S38	4J00415D	Screw,Customized

795.78349.800								
LOC NO	PART NO	DESCRIPTION	LOC NO	PART NO	DESCRIPTION	LOC NO	PART NO	DESCRIPTION
103A	3650JJ2003M	Handle,Rear	241C	AAP65631401	Basket Assembly,Door	332A	3531JJ1004A	Grille Assembly,Fan
103B	3650JJ2003L	Handle,Rear	241F	AKC65631501	Bucket Assembly,Dairy	401A	6615JB2005C	Controller Assembly
103C	3551JJ1015F	Cover Assembly,Lower	241H	MAN53467001	Basket,Door	402A	6600JB3007E	Switch,Push Button
103E	5218JJ3001A	Rail,Slide	243A	4620JJ3006C	Stopper,Door	402A	6600JB3007E	Switch,Push Button
103E	5218JJ3001A	Rail,Slide	243A	4620JJ3006C	Stopper,Door	404A	4681JK1004A	AC Motor
104E	4931JJ3002A	Holder Assembly,Gasket	243B	4620JJ2009A	Stopper,Door	405A	4811JJ2002A	Bracket Assembly,Motor
105A	5251JA3003B	Tube Assembly,Drain	243B	4620JJ2009A	Stopper,Door	405B	5040JJ2001A	Damper,Motor Support
105F	5070JJ3002A	Skirt,Lower	248E	3806JJ1048A	Decor,Tray	405C	5040JA2009B	Damper,Motor Support
106A	4779JA2003A	Leg Assembly,Adjust	248F	3806JL2011B	Decor,Tray	405F	5040JA2004B	Damper,Motor Support
120B	ADJ65631801	Duct Assembly,Multi	248G	MCR53464901	Decor,Shelf	405G	4811JJ2002H	Bracket Assembly,Motor
125D	4930JJ3007A	Holder,Bracket	248G	MCR53464901	Decor,Shelf	406B	6600JB1010A	Switch,Push Button
128A	4975JJ2002A	Guide Assembly,Rail	248H	MCR53466301	Decor,Shelf	409B	6912JK2002C	Lamp,Incandescent
128B	4975JJ2002B	Guide Assembly,Rail	248J	MCR5502702	Decor,Shelf	409D	3034JJ1002B	Reflector,Lamp
128E	4930JJ1025B	Holder,Rail	248K	MCR5502701	Decor,Shelf	410A	6621JK2003B	Harness Assembly
128F	4930JJ1025A	Holder,Rail	248L	MCR53467102	Rail,Slide	410C	4932JJ2006C	Connector,Tilt
131A	5074JJ1055A	BUCKET,ICE	248M	MCR53467101	Decor,Basket	410G	0CZJB2012J	Capacitor,Electric Appliance Film,Box
135C	3550JJ2030A	Cover,Grille Fan	249C	ACJ32471702	Connector Assembly	411A	6411JK1006A	Power Cord Assembly
136A	3391JJ1011B	Tray Assembly,Drawer	249D	ACJ32471701	Connector Assembly	418A	5300JB1100J	Heater,Sheath
136B	3390JJ1090A	Tray,Drawer	249E	5218JA1010E	Rail,Slide	420A	4681JB1029J	Motor,DC
141A	AHT65631201	Shelf Assembly,Refrigerator	249F	5218JA1010F	Rail,Slide	501A	6871JK1011G	PCB Assembly,Main
141B	MHL53464801	Shelf,Refrigerator	249J	ACJ3230880A	Connector Assembly	501F	3551JJ1020A	Cover Assembly,PCB
141B	MHL53464801	Shelf,Refrigerator	249K	ACJ32308803	Connector Assembly	503D	3110JJ1021A	Case,Display
141C	5027JJ2005C	Shelf Assembly,Net	249L	MCK30136701	Cover,Connector	503F	ABQ33905306	Case Assembly,Display
141D	AHT67066001	Shelf Assembly,Refrigerator	249M	MCK30136702	Cover,Connector	600A	5989JA0002Q	Ice Maker Assembly,Kit
141E	5027JJ2005F	Shelf Assembly,Net	249Q	ACJ67019901	Connector Assembly	600C	MEA32865501	Guide,Tube
141F	5027JJ2005D	Shelf Assembly,Net	250A	4270JJ3001E	Bar	602A	4931JA3005B	Holder Assembly,Bracket
143F	AHT65631202	Shelf Assembly,Refrigerator	250B	4403JJ3001A	Connector Assembly	602A	4931JA3005B	Holder Assembly,Bracket
145A	4930JJ2003A	Holder,Shelf	250B	4403JJ3001A	Connector Assembly	610A	3550JJ2020A	Cover,Sensor
145B	4930JJ2004A	Holder,Shelf	262A	4930JA3093A	Holder,Bracket	611C	3550JL1008C	Cover,Filter
145C	4975JJ2028C	Guide Assembly,Rail	262D	4004JA3002A	Clip	611D	3550JJ2028B	Cover,Filter
145F	4975JJ2028D	Guide Assembly,Rail	262E	4350JA3005B	Ring	611E	5231JA2005E	Filter Assembly,Head
145G	AEC65631002	Guide Assembly,TV	262H	4775JJ2019D	Hinge Assembly,Center	615A	4839JJ2002B	Tank Assembly,Water
145H	AEC65631001	Guide Assembly,TV	271A	AEH36437001	Hinge Assembly,Upper	616A	5210JA2012E	Tube,Inject
147A	5074JJ1005A	Bucket,Dairy	271C	AEH36437002	Hinge Assembly,Upper	616B	5210JA3005U	Tube,Plastic
147C	3550JJ1017A	Cover,Bucket	280A	ACQ54093307	Cover Assembly,Dispenser	616E	5211JA2003B	Tube Assembly,Inject
149C	AHT67066101	Shelf Assembly,Refrigerator	281A	ACQ36833803	Cover Assembly,Hinge	616F	5210JA3004B	Tube,Plastic
149E	AHT65631301	Shelf Assembly,Refrigerator	281D	3550JJ2043A	Cover,Hinge	616G	5210JA3005F	Tube,Plastic
151A	AJP65630802	Tray Assembly,Vegetable	281G	3550JJ2044A	Cover,Hinge	618A	5210JJ3006B	Tube,Inject
151B	AJP65630801	Tray Assembly,Vegetable	281H	4775JJ2011B	Hinge Assembly,Lower	619A	5220JA2013A	Valve,Water
151C	MEY42240602	Knob,Shutter	282B	4775JJ2019C	Hinge Assembly,Center	619B	3550JJ2024A	Cover,Valve
154A	MCK53463001	Cover,TV	282E	ACQ36833804	Cover Assembly,Hinge	619C	AJU55759401	Valve Assembly,Water
154B	MCR55148401	Decor,Cover TV	282F	MBL55502801	Cap,Duct	621E	4932JA3014A	Connector,Tube
155B	AEC65630901	Guide Assembly,Rail	286A	4984JJ3003A	BUSH	622B	MJH36429401	Supporter,Tube Guide
158A	3550JJ1104A	Cover,Lamp	286A	4984JJ3003A	BUSH	623A	5006JJ2004A	Cap,Cover
158E	MCK30060901	Cover,Lamp	301A	5421JJ1001B	Evaporator Assembly	623B	5006JJ2003A	Cap,Cover
167B	4890JL1002H	Shelf,Glass	304A	3551JJ2008B	Cover Assembly,Machinery(Rear)	623C	4770JA3001A	Band
170A	AJP65631101	Tray Assembly,Meat	305B	4580JJ3001A	Roller	623C	4770JA3001A	Band
200A	ADC65632101	Door Assembly,Freezer	305B	4580JJ3001A	Roller	623D	4932JA3009C	Connector,Tube
201A	ADD65632501	Door Foam Assembly,Freezer	305C	4J04238A	Pin,Common	625A	3550JJ2034A	Cover,Tube
203A	ADX52752609	Gasket Assembly,Door	305C	4J04238A	Pin,Common	627A	4930JA3054A	Holder,Pipe
212A	AED37083002	Handle Assembly,Refrigerator	307A	TCA32125901	Compressor,Set Assembly	627A	4930JA3054A	Holder,Pipe
212B	AED37133206	Handle Assembly,Freezer	309B	EBG43493101	Thermistor Assembly,PTC	627B	4930JA3091A	Holder,Bracket
212G	3846JD1019A	NAME PLATE	310A	4810JJ3033A	Bracket,Cover	627B	4930JA3091A	Holder,Bracket
212J	4620JJ2010C	STOPPER,HANDLE	312A	5040JA3031A	Damper,Compressor	903A	3550JJ0006C	Cover,Lower
230A	ADC65631903	Door Assembly,Refrigerator(Right)	313A	5040JJ3007A	Damper	903B	4930JJ2021A	Holder,Cover(Lower)
230B	ADC65632003	Door Assembly,Refrigerator(Left)	313A	5040JJ3007A	Damper	903D	6500JK1003A	Sensor
231A	ADD65632203	Door Foam Assembly,Refrigerator	314A	4620JA3009A	Stopper,Compressor	903E	6500JK1004A	Sensor
231B	ADD65632403	Door Foam Assembly,Refrigerator	315A	3103JJ1001J	Base Assembly,Compressor	B01	1STZJA3004F	Screw,Customized
233A	4987JJ2003F	Gasket Assembly,Door	317A	5851JJ2002F	Drier Assembly	B04	1STZJA3001B	Screw,Customized
233B	4987JJ2003H	Gasket Assembly,Door	318A	4930JA3034A	Holder,Drier	S01	1SZZJJ3010A	Screw,Customized
233C	ACQ67902601	Cover Assembly,Front	319A	3390JJ0004A	Tray,Drip	S22	J47100001J	Screw,Customized
233D	ACQ67902602	Cover Assembly,Front	319C	MEA41997401	Guide,Fan	S24	1SZZJA3011B	Screw,Customized
233E	4930JJ2028B	Holder,Gasket	319E	4810JJ2005A	Bracket,Motor	S25	1SBZJA3004K	Screw,Customized
233F	4930JJ2028A	Holder,Gasket	323B	5403JJ1007A	Condenser Assembly,Wire	S27	4J01424C	Screw,Customized
233G	4430JJ2005B	Cam,Shaft	327A	5006JA3034A	Cap,Drain Tube	S27	4J01424C	Screw,Customized
233H	4430JJ2005A	Cam,Shaft	328A	4J03020A	Damper,Pipe	S28	1SZZJJ3005E	Screw,Customized
237C	4974JJ1021A	Guide,Drawer	328B	4J04328A	Damper,Pipe	S31	4000W4A003A	Screw,Customized
241A	MCK55148701	Cover,Bucket	329A	5901JJ1005A	Fan Assembly	S38	4J00415D	Screw,Customized
241B	MCK53467401	Bucket,Dairy	329C	ADP36665702	Fan Assembly			

795.78359.800

LOC NO	PART NO	DESCRIPTION	LOC NO	PART NO	DESCRIPTION	LOC NO	PART NO	DESCRIPTION
103A	3650JJ2003M	Handle,Rear	241C	AAP65631401	Basket Assembly,Door	329C	ADP36665702	Fan Assembly
103B	3650JJ2003L	Handle,Rear	241E	5004JJ1071A	BASKET,DOOR	332A	3531JJ1004A	Grille Assembly,Fan
103C	3551JJ1015F	Cover Assembly,Lower	241F	AKC65631501	Bucket Assembly,Dairy	401A	6615JB2005C	Controller Assembly
103E	5218JJ3001A	Rail,Slide	241H	MAN53467001	Basket,Door	402A	6600JB3007E	Switch,Push Button
103E	5218JJ3001A	Rail,Slide	243A	4620JJ3006C	Stopper,Door	402A	6600JB3007E	Switch,Push Button
104E	4931JJ3002A	Holder Assembly,Gasket	243A	4620JJ3006C	Stopper,Door	404A	4681JK1004A	AC Motor
105A	5251JA3003B	Tube Assembly,Drain	243B	4620JJ2009A	Stopper,Door	405A	4811JJ2002A	Bracket Assembly,Motor
105F	5070JJ3002A	Skirt,Lower	243B	4620JJ2009A	Stopper,Door	405B	5040JJ2001A	Damper,Motor Support
106A	4779JA2003A	Leg Assembly,Adjust	248E	3806JJ1048A	Decor,Tray	405C	5040JA2009B	Damper,Motor Support
120B	ADJ65631801	Duct Assembly,Multi	248F	3806JL2011B	Decor,Tray	405F	5040JA2004B	Damper,Motor Support
125D	4930JJ3007A	Holder,Bracket	248G	MCR53464901	Decor,Shelf	405G	4811JJ2002H	Bracket Assembly,Motor
128A	4975JJ2002A	Guide Assembly,Rail	248G	MCR53464901	Decor,Shelf	406B	6600JB1010A	Switch,Push Button
128B	4975JJ2002B	Guide Assembly,Rail	248H	MCR53466301	Decor,Shelf	409B	6912JK2002C	Lamp,Incandescent
128E	4930JJ1025B	Holder,Rail	248J	MCR55502702	Decor,Shelf	409D	3034JJ1002B	Reflector,Lamp
128F	4930JJ1025A	Holder,Rail	248K	MCR55502701	Decor,Shelf	410A	6621JK2003B	Harness Assembly
131A	5074JJ1055A	BUCKET,ICE	248L	MCR53467102	Decor,Basket	410C	4932JJ2006C	Connector,Tilt
135C	3550JJ2030A	Cover,Grille Fan	248M	MCR53467101	Decor,Basket	410G	0CZZJB2012J	Capacitor,Electric Appliance Film,Box
136A	3391JJ1011B	Tray Assembly,Drawer	249C	ACJ32471702	Connector Assembly	411A	6411JK1006A	Power Cord Assembly
136B	3390JJ1090A	Tray,Drawer	249D	ACJ32471701	Connector Assembly	418A	5300JB1100J	Heater,Sheath
141A	AHT65631201	Shelf Assembly,Refrigerator	249E	5218JA1010E	Rail,Slide	420A	4681JB1029J	Motor,DC
141B	MHL53464801	Shelf,Refrigerator	249F	5218JA1010F	Rail,Slide	501A	6871JK1011G	PCB Assembly,Main
141B	MHL53464801	Shelf,Refrigerator	249J	ACJ32308804	Connector Assembly	501F	3551JJ1020A	Cover Assembly,PCB
141C	5027JJ2005C	Shelf Assembly,Net	249K	ACJ32308803	Connector Assembly	503D	3110JJ1021A	Case,Display
141D	AHT67066001	Shelf Assembly,Refrigerator	249L	MCK30136701	Cover,Connector	503F	ABQ33905306	Case Assembly,Display
141E	5027JJ2005F	Shelf Assembly,Net	249M	MCK30136702	Cover,Connector	600A	5989JA0002Q	Ice Maker Assembly,Kit
141F	5027JJ2005D	Shelf Assembly,Net	249Q	ACJ67019901	Connector Assembly	600C	MEA32865501	Guide,Tube
143F	AHT65631202	Shelf Assembly,Refrigerator	250A	4270JJ3001E	Bar	602A	4931JA3005B	Holder Assembly,Bracket
145A	4930JJ2003A	Holder,Shelf	250B	4403JJ3001A	Connector Assembly	602A	4931JA3005B	Holder Assembly,Bracket
145B	4930JJ2004A	Holder,Shelf	250B	4403JJ3001A	Connector Assembly	610A	3550JJ2020A	Cover,Sensor
145C	4975JJ2028C	Guide Assembly,Rail	262A	4930JA3093A	Holder,Bracket	611C	3550JL1008C	Cover,Filter
145F	4975JJ2028D	Guide Assembly,Rail	262D	4004JA3002A	Clip	611D	3550JJ2028B	Cover,Filter
145G	AEC65631002	Guide Assembly,TV	262E	4350JA3005B	Ring	611E	5231JA2005E	Filter Assembly,Head
145H	AEC65631001	Guide Assembly,TV	262H	4775JJ2019D	Hinge Assembly,Center	615A	4839JJ2002B	Tank Assembly,Water
147A	5074JJ1005A	Bucket,Dairy	271A	AEH36437001	Hinge Assembly,Upper	616A	5210JA2012E	Tube,Inject
147C	3550JJ1017A	Cover,Bucket	271C	AEH36437002	Hinge Assembly,Upper	616B	5210JA3005U	Tube,Plastic
149C	AHT67066101	Shelf Assembly,Refrigerator	280A	ACQ54093307	Cover Assembly,Dispenser	616E	5211JA2003B	Tube Assembly,Inject
149E	AHT65631301	Shelf Assembly,Refrigerator	281A	ACQ36833803	Cover Assembly,Hinge	616F	5210JA3004B	Tube,Plastic
151A	AJP65630802	Tray Assembly,Vegetable	281D	3550JJ2043A	Cover,Hinge	616G	5210JA3005P	Tube,Plastic
151B	AJP65630801	Tray Assembly,Vegetable	281G	3550JJ2044A	Cover,Hinge	618A	5210JJ3006B	Tube,Inject
151C	MEY42240602	Knob,Shutter	281H	4775JJ2011B	Hinge Assembly,Lower	619A	5220JA2013A	Valve,Water
154A	MCK53463001	Cover,TV	282B	4775JJ2019C	Hinge Assembly,Center	619B	3550JJ2024A	Cover,Valve
154B	MCR55148401	Decor,Cover TV	282E	ACQ36833804	Cover Assembly,Hinge	619C	AJU55759401	Valve Assembly,Water
155B	AEC65630901	Guide Assembly,Rail	282F	MBL55502801	Cap,Duct	621E	4932JA3014A	Connector,Tube
158A	3550JJ1104A	Cover,Lamp	286A	4984JJ3003A	BUSH	622B	MJH36429401	Supporter,Tube Guide
158E	MCK30060901	Cover,Lamp	286A	4984JJ3003A	BUSH	623A	5006JJ2004A	Cap,Cover
167B	4890JL1002H	Shelf,Glass	301A	5421JJ1001B	Evaporator Assembly	623B	5006JJ2003A	Cap,Cover
170A	AJP65631101	Tray Assembly,Meat	304A	3551JJ2008B	Cover Assembly,Machinery(Rear)	623C	4770JA3001A	Band
200A	ADC65632101	Door Assembly,Freezer	305B	4580JJ3001A	Roller	623C	4770JA3001A	Band
201A	ADD65632501	Door Foam Assembly,Freezer	305B	4580JJ3001A	Roller	623D	4932JA3009C	Connector,Tube
203A	ADX52752609	Gasket Assembly,Door	305C	4J04238A	Pin,Common	625A	3550JJ2034A	Cover,Tube
212A	AED37083002	Handle Assembly,Refrigerator	305C	4J04238A	Pin,Common	627A	4930JA3054A	Holder,Pipe
212B	AED371133206	Handle Assembly,Freezer	307A	TCA32125901	Compressor,Set Assembly	627A	4930JA3054A	Holder,Pipe
212G	3846JD1019A	NAME PLATE	309B	EBG43493101	Thermistor Assembly,PTC	627B	4930JA3091A	Holder,Bracket
212J	4620JJ2010C	STOPPER,HANDLE	310A	4810JJ3033A	Bracket,Cover	627B	4930JA3091A	Holder,Bracket
230A	ADC65631903	Door Assembly,Refrigerator(Right)	312A	5040JA3031A	Damper,Compressor	903A	3550JJ0006C	Cover,Lower
230B	ADC65632003	Door Assembly,Refrigerator(Left)	313A	5040JJ3007A	Damper	903B	4930JJ2021A	Holder,Cover(Lower)
231A	ADD65632203	Door Foam Assembly,Refrigerator	313A	5040JJ3007A	Damper	903D	6500JK1003A	Sensor
231B	ADD65632403	Door Foam Assembly,Refrigerator	314A	4620JA3009A	Stopper,Compressor	903E	6500JK1004A	Sensor
233A	4987JJ2003F	Gasket Assembly,Door	315A	3103JJ1001J	Base Assembly,Compressor	B01	1STZJA3004F	Screw,Customized
233B	4987JJ2003H	Gasket Assembly,Door	317A	5851JJ2002F	Drier Assembly	B04	1STZJA3001B	Screw,Customized
233C	ACQ67902601	Cover Assembly,Front	318A	4930JA3034A	Holder,Drier	S01	1SZZJJ3010A	Screw,Customized
233D	ACQ67902602	Cover Assembly,Front	319A	3390JJ0004A	Tray,Drip	S22	J47100001J	Screw,Customized
233E	4930JJ2028B	Holder,Gasket	319C	MEA41997401	Guide,Fan	S24	1SZZJA3011B	Screw,Customized
233F	4930JJ2028A	Holder,Gasket	319E	4810JJ2005A	Bracket,Motor	S25	1SBZJA3004K	Screw,Customized
233G	4430JJ2005B	Cam,Shaft	323B	5403JJ1007A	Condenser Assembly,Wire	S27	4J01424C	Screw,Customized
233H	4430JJ2005A	Cam,Shaft	327A	5006JA3034A	Cap,Drain Tube	S27	4J01424C	Screw,Customized
237C	4974JJ1021A	Guide,Drawer	328A	4J03020A	Damper,Pipe	S28	1SZZJJ3005E	Screw,Customized
241A	MCK55148701	Cover,Bucket	328B	4J04328A	Damper,Pipe	S31	4000W4A003A	Screw,Customized
241B	MKK53467401	Bucket,Dairy	329A	5901JJ1005A	Fan Assembly	S38	4J00415D	Screw,Customized



*'You Can Count on me . . .  
to Work Safely.'*

## Free Manuals Download Website

<http://myh66.com>

<http://usermanuals.us>

<http://www.somanuals.com>

<http://www.4manuals.cc>

<http://www.manual-lib.com>

<http://www.404manual.com>

<http://www.luxmanual.com>

<http://aubethermostatmanual.com>

Golf course search by state

<http://golfingnear.com>

Email search by domain

<http://emailbydomain.com>

Auto manuals search

<http://auto.somanuals.com>

TV manuals search

<http://tv.somanuals.com>