

**READ BEFORE USE**

**使用前阅读**

Visit [www.hamiltonbeach.cn](http://www.hamiltonbeach.cn) for our complete line of products and Use and Care Guides – as well as delicious recipes, tips, and to register your product online!

有关我们所有系列产品的使用与维护指南 – 以及美味食谱、生活小贴士和产品在线注册的更多信息，请访问 [www.hamiltonbeach.cn](http://www.hamiltonbeach.cn)。

**Questions?**

Please call us – our friendly associates are ready to help.  
China: 400-852-2655

**如有疑问?**

请致电我们，我们的团队随时准备为您提供帮助。

中国大陆客服热线：  
400-852-2655

官方网站：[www.hamiltonbeach.cn](http://www.hamiltonbeach.cn)

**型号：80393-CN**

此说明书中图片仅供参考，产品以实物为准。

使用产品前请仔细阅读本使用说明书，并妥善保管。

# Hamilton 汉美驰 Beach®

## Coffee Grinder 咖啡研磨机



English ..... 2  
简体中文 ..... 7

# IMPORTANT SAFEGUARDS

When using electrical appliances, basic safety precautions should always be followed to reduce the risk of fire, electric shock, and/or injury to persons, including the following:

1. Read all instructions.
2. This appliance is not intended for use by persons with reduced physical, sensory, or mental capabilities, or lack of experience and knowledge, unless they are closely supervised and instructed concerning use of the appliance by a person responsible for their safety.
3. This appliance should not be used by children. Keep the appliance and its cord out of reach of children. Children should be supervised to ensure that they do not play with the appliance.
4. To protect against risk of electrical shock, do not put unit, cord, or plug in water or other liquid.
5. Unplug from outlet when not in use, before putting on or taking off parts, and before cleaning.
6. Avoid contacting moving parts.
7. Do not operate any appliance with a damaged supply cord or plug, or after the appliance malfunctions or has been dropped or damaged in any manner. Supply cord replacement and repairs must be conducted by the manufacturer, its service agent, or similarly qualified persons in order to avoid a hazard. Call the provided customer service number for information on examination, repair, or adjustment.
8. The use of attachments not recommended or sold by the manufacturer may cause fire, electric shock, or injury.
9. Do not use outdoors.
10. Do not let cord hang over edge of table or counter or touch hot surfaces, including stove.
11. Do not place on or near a hot gas or electric burner, or in a heated oven.
12. Check removable grinding chamber for presence of foreign objects before using.
13. Do not use appliance for other than intended purpose.
14. Do not remove grinding cover until blade has completely stopped rotating.
15. Be certain cover is securely locked in place before operating appliance.
16. Do not attempt to defeat the cover interlock mechanism.
17. To disconnect, press ON/OFF (⏻); then remove plug from wall outlet.
18. The appliance is not intended for commercial, professional, or industrial use. It is designed and built exclusively for household use only.
19. Never use appliance for a longer period or with a larger amount of ingredients other than that recommended by appliance manufacturer.
20. **CAUTION!** In order to avoid a hazard due to unattended resetting of the motor thermal protective device, this appliance must not be powered through an external switching device, such as a timer, or connected to a circuit that is regularly switched on and off by the utility.

## SAVE THESE INSTRUCTIONS!

### Other Consumer Safety Information

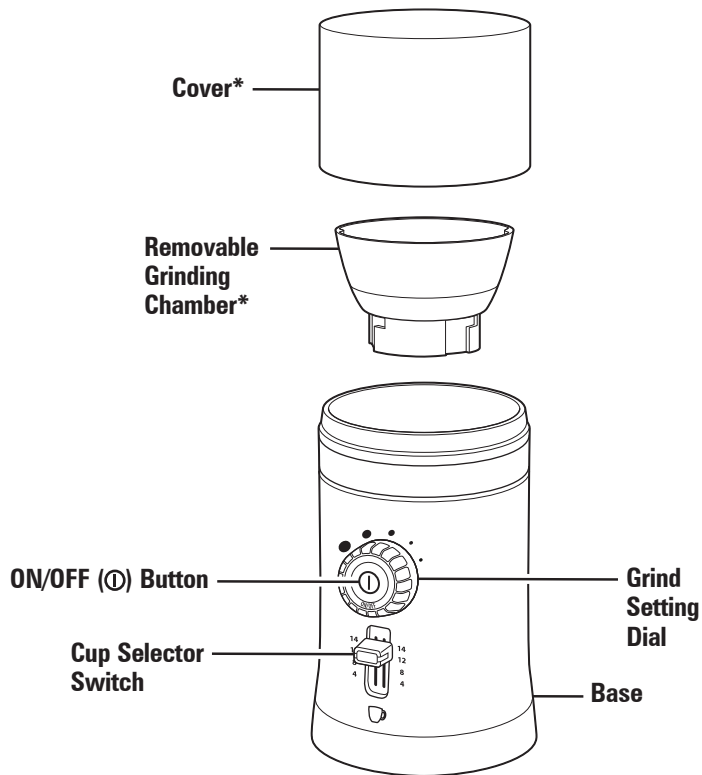
**This appliance is intended for household use only.**

The length of the cord used on this appliance was selected to reduce the hazards of becoming tangled in or tripping over a longer cord. If a longer cord is necessary, an approved extension cord may be used.

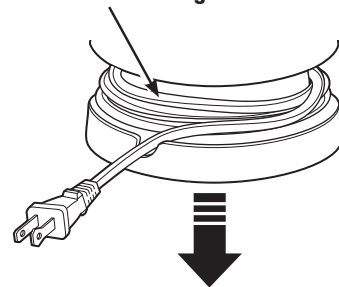
The electrical rating of the extension cord must be equal to or greater than the rating of the appliance. Care must be taken to arrange the extension cord so that it will not drape over the countertop or tabletop where it can be pulled on by children or accidentally tripped over.

# Parts and Features

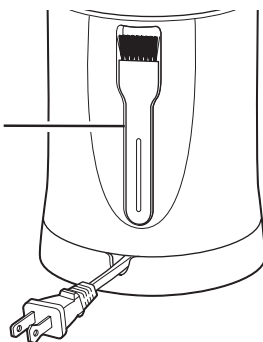
**BEFORE FIRST USE:** Wash all removable parts in hot, soapy water. Rinse and dry.



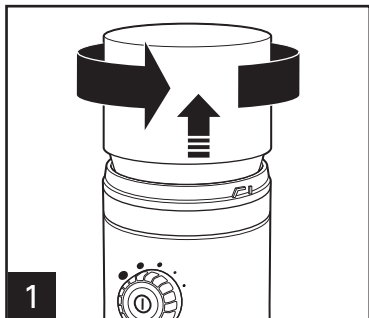
**Hidden Cord Storage**



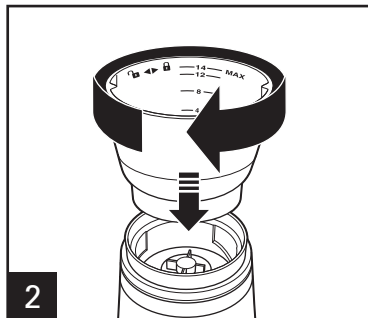
**Cleaning Brush\* and Storage**



# Using the Coffee Grinder



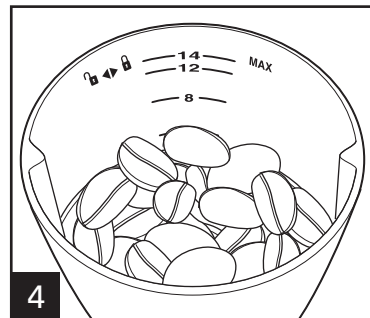
**1** Remove grinding cover, if locked in place, by turning counterclockwise to unlock position; then lift straight up.



**2** Twist grinding chamber clockwise to locked position. Make sure that the grinding chamber is **FIRMLY** locked into position.



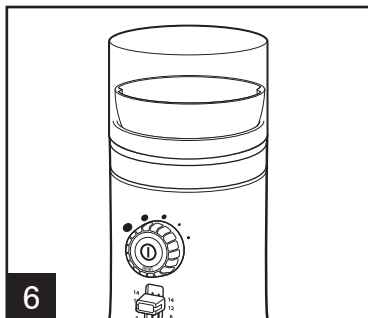
**3** Pour coffee beans directly into grinding chamber and fill to desired level.



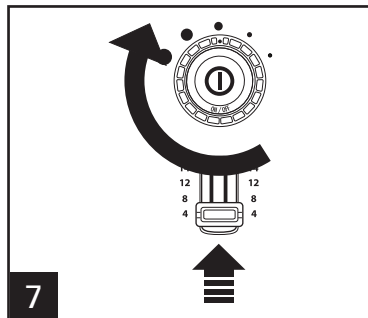
**4** Use the convenient cup markings, which correspond to cups of brewed coffee.



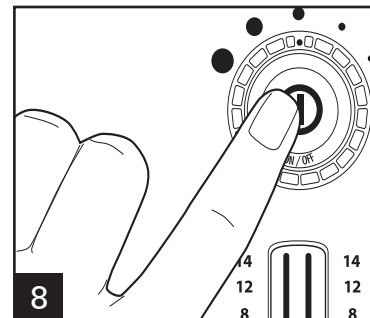
**5** Place grinding cover onto grinder. Make sure the arrow on cover is aligned with the unlock symbol on back of grinder. Turn lid clockwise to locked position. Grinding cover will “click” when locked into position.



**6** Place coffee beans in grinding chamber. Turn grinding dial clockwise to select amount of cups you will be brewing. Turn grind setting dial clockwise to select COARSE, MEDIUM, or FINE grind. Refer to charts on page 5 for grinding and cup selection. Press the ON/OFF (Ⓚ) button to start grinding. Grinder will turn off automatically at the end of selected grind.



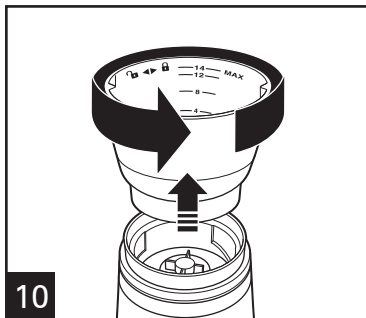
**7** Move switch up or down to select the amount of cups you will be brewing. Turn grind setting dial clockwise to select COARSE, MEDIUM, or FINE grind. Refer to charts on page 5 for grinding and cup selection. Press the ON/OFF (Ⓚ) button to start grinding. Grinder will turn off automatically at the end of selected grind.



# Using the Coffee Grinder (cont.)



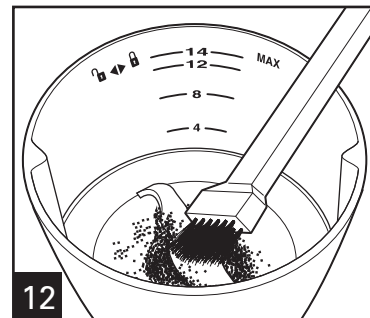
**9** Lift cover straight up to remove. If locked in place, turn counterclockwise to unlock; then lift straight up.



**10** Twist grinding chamber counterclockwise to unlock; then lift straight up.



**11** Pour grounds from grinding chamber into a paper filter or into an airtight container.



**12** Use a small soft-bristled brush to remove grounds at the bottom of the grinding chamber.




## TIPS:

- For best flavor, store coffee beans in an airtight container.
- Grind beans immediately before brewing.
- Grinding times will vary by selected cups and grind setting. More grinding times by more cups and more fine.
- To ensure optimal grinding performance, allow coffee grinder to cool for at least 1 minute between uses.
- Coffee flavor and strength are personal preferences. Vary the type of coffee beans, amount of coffee, and fineness of grind to find the flavor you prefer.

## CUP SELECTOR SWITCH SETTINGS

SELECT	CUPS
4	1-4
8	5-8
12	9-12
14	13-14

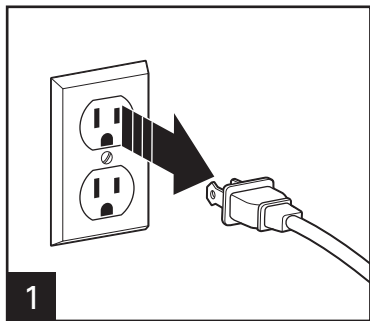
## COFFEE GRINDING CHART

IF GRINDING:	GRIND SETTING
Percolator/French Press	Coarse 
Drip Coffee Maker	Medium 
Steam or Pump Espresso Maker	Fine 

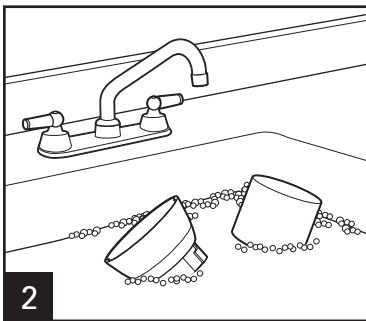
# Care and Cleaning

## **⚠ WARNING Electrical Shock Hazard.**

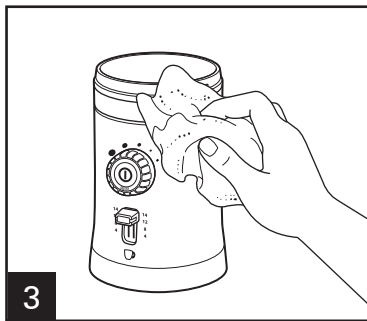
Disconnect power before cleaning. Do not immerse cord, plug, or base in any liquid.



**1**  
Unplug from wall outlet.



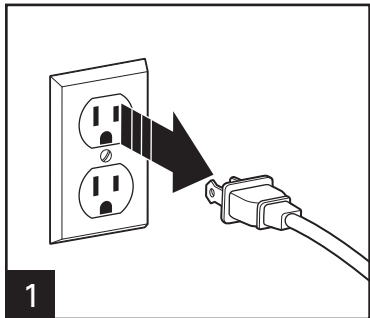
**2**  
Wash cover and grinding chamber in hot, soapy water. Rinse and dry.



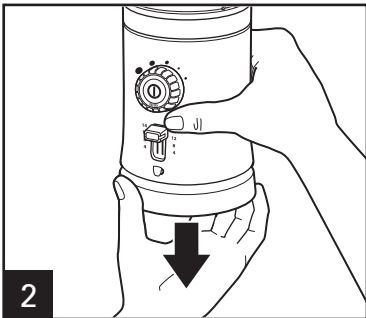
**3**  
Wipe the outside of coffee grinder with a soft, damp cloth.

**NOTE:** Cover will become cloudy with use.

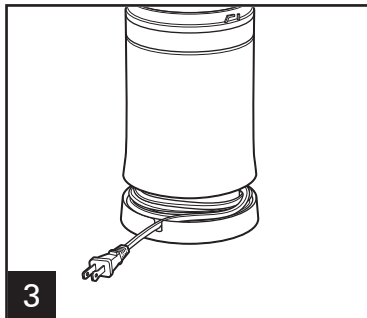
# How to Store Cord



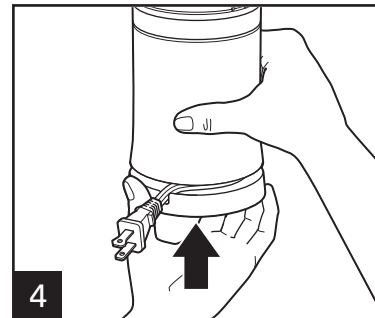
**1**  
Unplug from wall outlet.



**2**  
Hold coffee grinder in one hand and pull down on the base with your other hand. Wrap cord around hidden area of base. Place cord in cutout of base, leaving the plug outside the base. Push base up to store cord.



**3**



**4**

# 重要安全说明

当使用电器时，应始终遵守基本的安全防范措施，以减少火灾、触电和/或人身伤害的风险，包括以下内容：

1. 阅读所有相关说明。
2. 本电器不适合以下人群使用：行动不便者、精神或智商缺陷者、缺少经验和常识者，除非他们在监护人的密切监督和指导下使用，以确保安全。
3. 本电器不得由儿童使用。本电器及其电源线应远离儿童。请勿将本电器用于儿童玩耍。
4. 为防止触电，请勿将本机、电源线或插头放入水或其他液体中。
5. 当本电器未使用时、安装或拆装部件以及清洁前，需拔掉电源插头。
6. 避免接触正在运动的部件。
7. 在下列情况下，请勿使用本电器：电源线或插头破损、本机出现故障、本机跌落或已经出现任何形式的损坏。电源线更换和维修必须由制造商、维修代理商或同等资质的人员进行，以避免险情。请拨打我们的客服电话，咨询有关电器检查、修理或调整的相关信息。
8. 使用非本电器制造商建议或出售的附件可能会导致火灾、触电或人身伤害。
9. 请勿在室外使用。
10. 请勿将电源线悬挂在桌子或柜台边缘，或接触包括炉子在内的热表面。
11. 请勿将电器置于燃气、电炉、热烤箱之上或附近。
12. 使用前检查可拆卸研磨杯内是否有异物。
13. 请勿将本电器用于非预期用途。
14. 请勿取下研磨杯盖，直到刀片已完全停止旋转。
15. 操作电器前，务必确保盖子已安全锁定到位。
16. 请勿尝试破坏盖子的联锁机制。
17. 若要断电，请按ON/OFF开关(⊙)；然后从插座拔下电源线。
18. 本电器不用于商业、专业或工业用途。它的设计和构造仅限于家用。
19. 禁止长时间使用本电器或使用本电器处理非电器制造商在杯上标示的刻度标记。
20. **小心!**为了避免由于电动机热保护装置意外重置导致的危险，本电器禁止通过外接开关设备（例如：定时器）进行供电，或禁止连接到由供电部门定期开启和关闭的电路。

## 请妥善保管说明书！

### 其他用户安全信息

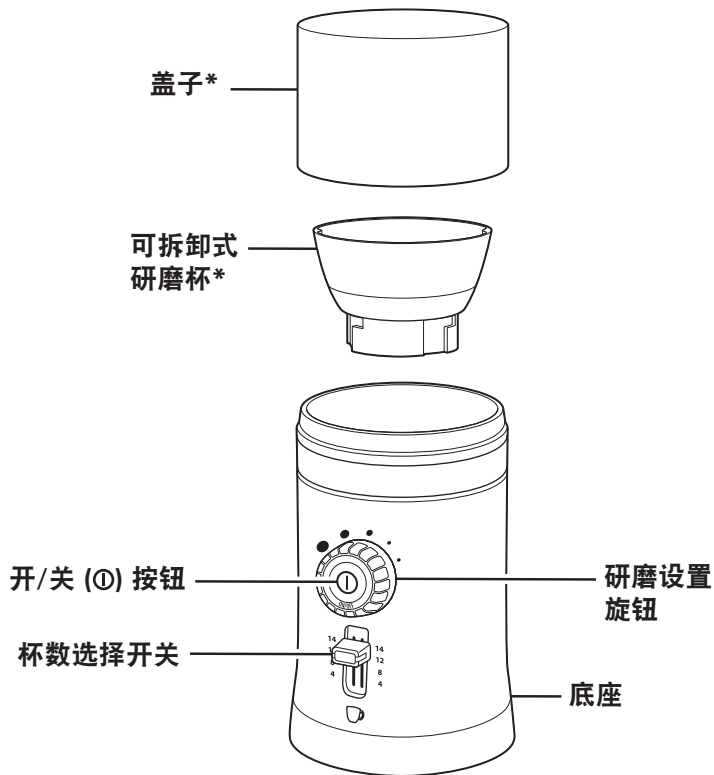
#### 本电器仅限于家庭使用。

本电器电源线的长度经过设计挑选，以减少长电源线缠绕或绊倒的危险。倘若需要更长的电源线，可使用经认证的电源延长

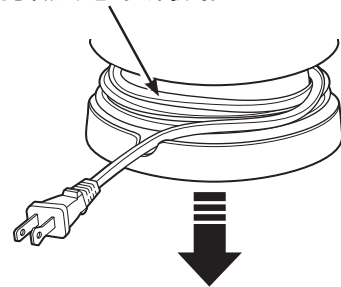
线。电源延长线的额定功率必须等于或大于本电器的额定功率。电源延长线使用时需特别注意，以防将其搭设在工作台或桌面上，造成儿童扯拉或绊倒他人。

# 部件和功能

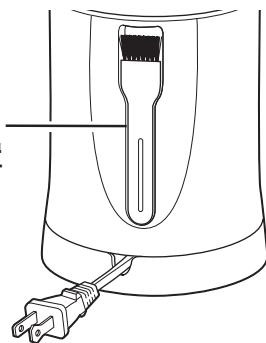
**首次使用前：**在带清洁剂的温水中清洗所有可拆卸部件。冲洗，然后晾干。



隐藏式电源线收纳

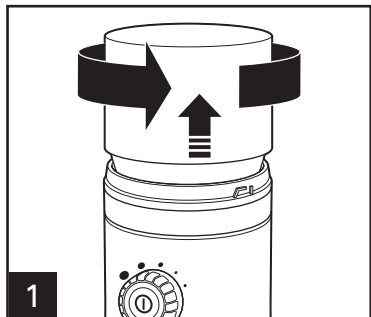


清洁刷\*  
及存放位置

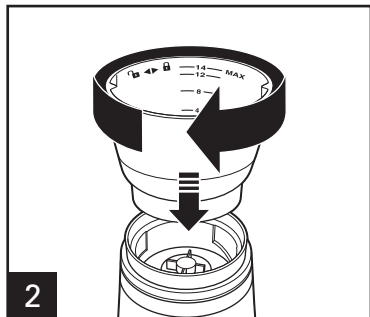




# 使用咖啡研磨机



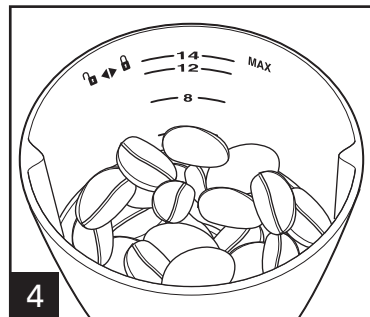
1 取下研磨杯盖，如果已锁住，可逆时针方向旋转将其转到解锁位置，然后垂直上提将其取下。



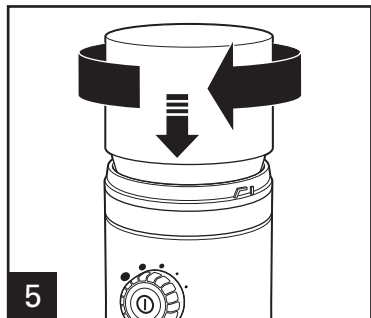
2 顺时针方向旋转将其拧紧到锁住位置。确保研磨杯“牢固”锁定到位。



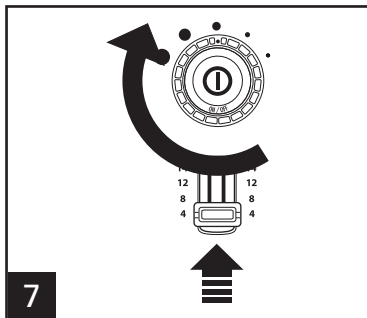
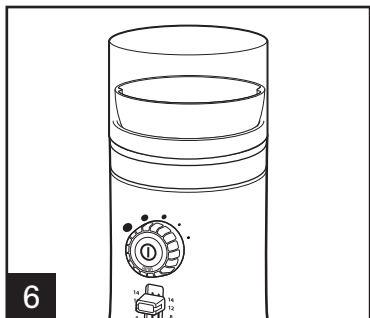
3 向研磨杯中倒入咖啡豆，添加到所需的刻度。



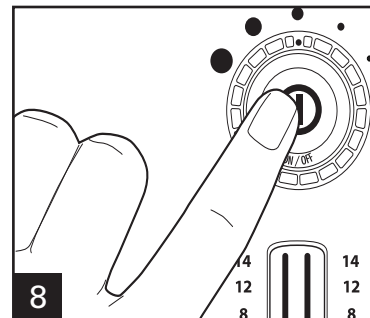
4 可以参照杯上标示的刻度标记，对应所冲泡的咖啡杯数。



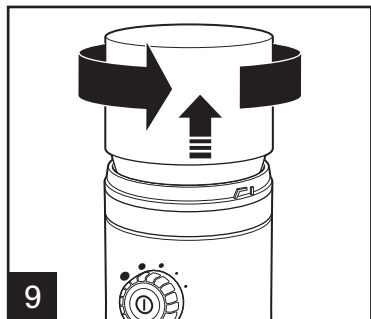
5 将研磨杯盖装到研磨机上。让研磨杯盖上的箭头与研磨机后方的解锁标记对齐。顺时针旋转杯盖将其拧到锁定位置。听到“咔哒”声即表示研磨杯盖锁定到位。



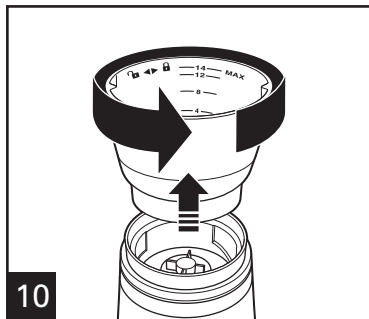
7 向上或向下拨动开关选择您要冲泡的杯数。顺时针旋转研磨度设置旋钮以选择研磨的粗细。可参考第5页的图表选择研磨度和杯数。按ON/OFF（开/关）(ⓐ) 按钮启动研磨。完成选定的研磨后，研磨机将自动关闭。



# 使用咖啡研磨机 (续)



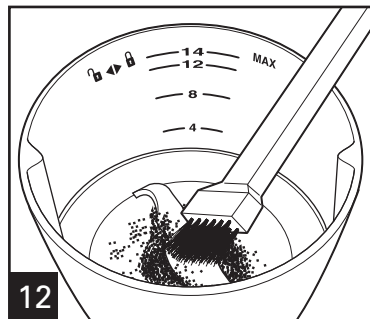
9 垂直上提取下盖子。  
如果已锁住，可逆时针方向旋转将其解锁，然后垂直上提。



10 逆时针方向拧开研磨杯，然后垂直上提。



11 将研磨杯中的咖啡粉倒入到滤纸杯或气密容器中。



12 使用小的软毛刷清除研磨杯底部的咖啡粉。




## 提示:

- 为了使咖啡味道最佳，请将咖啡豆存放在气密容器中。
- 冲泡前即研磨咖啡豆。
- 研磨时间取决于研磨杯数和研磨设置。研磨杯数越多，研磨设置越细，研磨时间越长。
- 为了确保最佳的研磨效果，咖啡研磨机每次使用后应至少冷却1分钟再进行下次研磨。
- 根据个人喜好选择咖啡味道和浓度。使用不同类型的咖啡豆、咖啡量和研磨的粗细，冲泡适合自己口味的咖啡。

## 杯数选择开关设置

选择	杯数
4	1-4
8	5-8
12	9-12
14	13-14

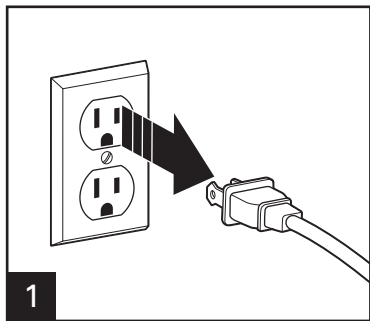
## 咖啡研磨粗细表

咖啡机类型:	研磨设置
渗透式咖啡壶/法式压壶	粗 
美式滴滤壶	中 
蒸汽或高压意式咖啡机	细 

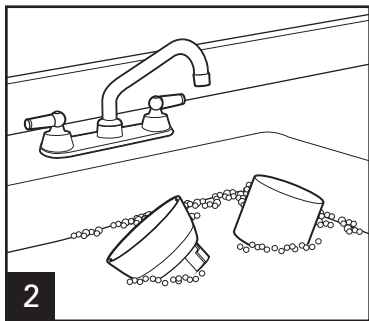
# 保养与清洗

**⚠ 警告 触电危险：**

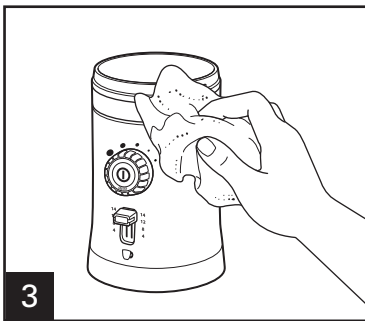
清洁前断开电源。请勿将电源线、插头或底座浸在任何液体中。



**1**  
从电源插座拔下电源线插头。



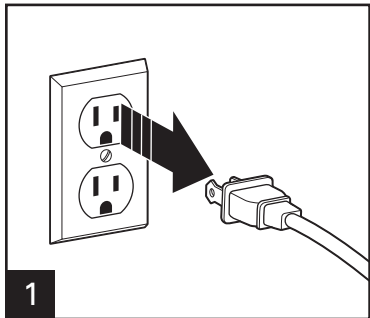
**2**  
在带清洁剂的温水中清洗杯盖和研磨杯。冲洗，然后晾干。



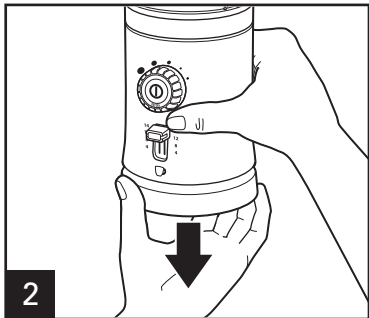
**3**  
请使用软湿布擦拭咖啡研磨机外部。

**注意：**使用过的盖子内表面会磨花。

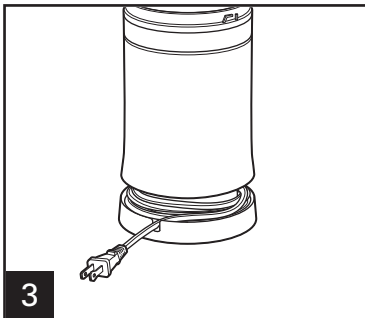
# 如何收纳电源线



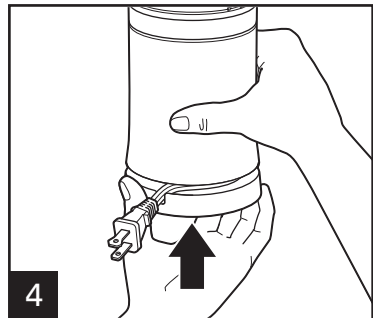
**1**  
从电源插座拔下电源线插头。



**2**  
一只手抓住咖啡研磨机的同时，用另一只手向下拉底座。将电源线缠绕在底座的隐藏区域。电源线沿着底座孔口缠绕，最后将插头放在底座外侧。上推底座收纳电源线。



**3**



**4**

**Model/型号:**  
80393-CN

**Type/类别:**  
CM09

**Rating/规格**  
220-240V~ 50-60Hz 150W

制造商：汉密尔顿海滩电器（深圳）有限公司  
地址：深圳市福田区深南西路车公庙工业区天安数码时代大厦主楼 1306-1308 1309-1311 单元  
本产品执行标准：GB4706.1-2005, GB4706.30-2008

以上内容如有改动，恕不预先通知



添加官方微博 微信  
开启美食人生

## Free Manuals Download Website

<http://myh66.com>

<http://usermanuals.us>

<http://www.somanuals.com>

<http://www.4manuals.cc>

<http://www.manual-lib.com>

<http://www.404manual.com>

<http://www.luxmanual.com>

<http://aubethermostatmanual.com>

Golf course search by state

<http://golfingnear.com>

Email search by domain

<http://emailbydomain.com>

Auto manuals search

<http://auto.somanuals.com>

TV manuals search

<http://tv.somanuals.com>