

Install Guide 3M-30

Filtrete™

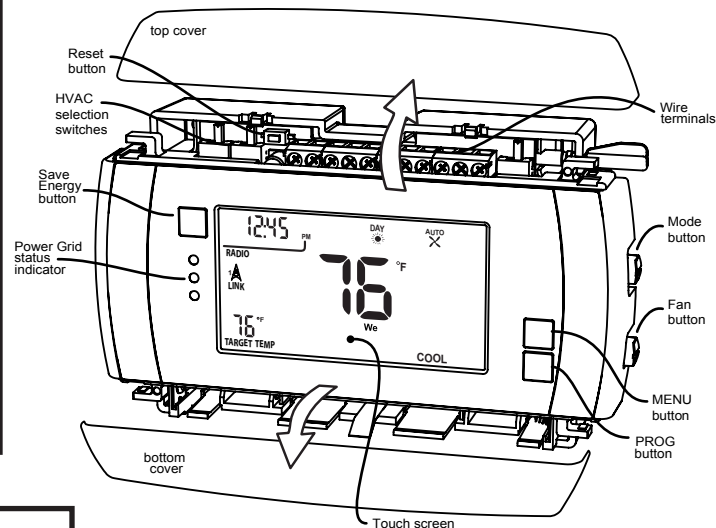
3M

⚠ Caution

- Your thermostat is a precise instrument, handle it with care.
- Turn off electricity to the HVAC system before installing or servicing thermostat or any part of the system.
- Do not turn electricity back on until work is completed.
- Do not short (jumper) across electric terminals at the control on the furnace or air conditioner to test the system. This may damage the thermostat.
- All wiring must conform to local codes and ordinances.
- This thermostat is designed for use with 3AA alkaline batteries and/or 24 volt AC C wire (or a 12-24 AC or DC source) and millivolt gas systems. Each thermostat relay load should be limited to 1.0 amp; higher amperage may cause damage to the thermostat.

⚠ Caution

To avoid electrical shock and to prevent damage to the furnace, air conditioner, and thermostat, **disconnect the power supply before beginning work. This can be done at the circuit breaker.**



TOOLS

You will need a small Phillips screwdriver and a drill with 3/16-in. (4.8mm) bit for wall mounts.

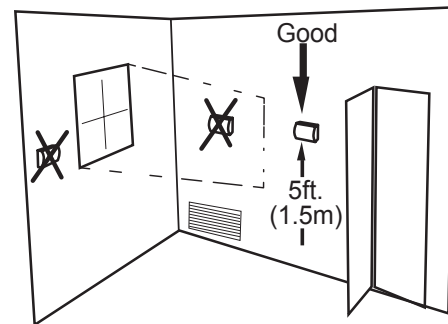
LOCATION

Replacement installations - mount the 3M-30 in place of the old thermostat.

A new location will require moving your wiring.

For new installations and for relocating the 3M-30 - follow the guidelines listed below:

- Locate the thermostat on an inside wall, about 5 ft. (1.5m) above the floor, and in a room that is used often.
- Do not install it where there are unusual heating conditions, such as: in direct sunlight; near a lamp, radio, television, radiator register, fireplace; near hot water pipes in a wall; or near a stove on the other side of a wall.
- Do not locate in unusual cooling conditions, such as: on a wall separating an unheated room; or in a draft from a stairwell, door, or window.
- Do not locate in a damp area. This can lead to corrosion that will shorten thermostat life.
- Do not locate where air circulation is poor, such as: in a corner, an alcove; behind an open door.
- Do not install the 3M-30 until all construction and painting has been completed.
- This thermostat does not require leveling.



REMOVE OLD UNIT

⚠ Switch OFF electricity to the HEATING and COOLING systems.

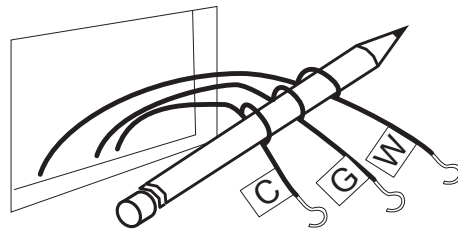
Then follow these steps:

- Remove cover from old thermostat. Most are snap-on types and simply pull off. Some have locking screws on the side or front. These must be loosened. DO NOT remove wires. Note the letters printed near the terminals. Attach labels (enclosed) to each wire for identification.

⚠ Caution

Read instructions carefully before removing any wiring from existing thermostat. Wires must be labeled before they are removed. **THERE IS NO STANDARD COLOR CODE.** When removing wires from their terminals, ignore the color of the wires and **LABEL THEM** by the lettered terminal where they were screwed.

- Label the wires one at a time. You must label all the wires before you proceed.
- With all wires labeled, remove them from the old unit.
- Make sure the wires do not fall back inside the wall. You can wind them around a pencil to keep them from falling.
- Loosen all screws on the old thermostat and remove it from the wall.

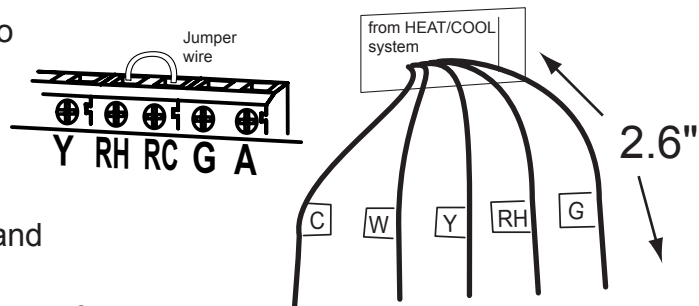


What wires do you have?

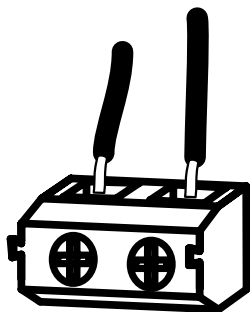
Make sure your wires are labeled. This may require you to find the 'other end' connection for each wire on your heating or air conditioning equipment and read the label there. Refer to the Wire Reference page at end of install section for better understanding of wire labels from different HVAC system makers.

⚠ IMPORTANT: The 3M-30 runs on 3 AA alkaline batteries and/or the C wire if available. If you do not have a C wire you can run a new wire from the HVAC or use a standard 12-24V [AC or DC] wall transformer. A constant power source is required when using a radio module.

⚠ IMPORTANT: If you have both RH and RC you need to remove the jumper wire between these 2 terminals.



Prepare Wires

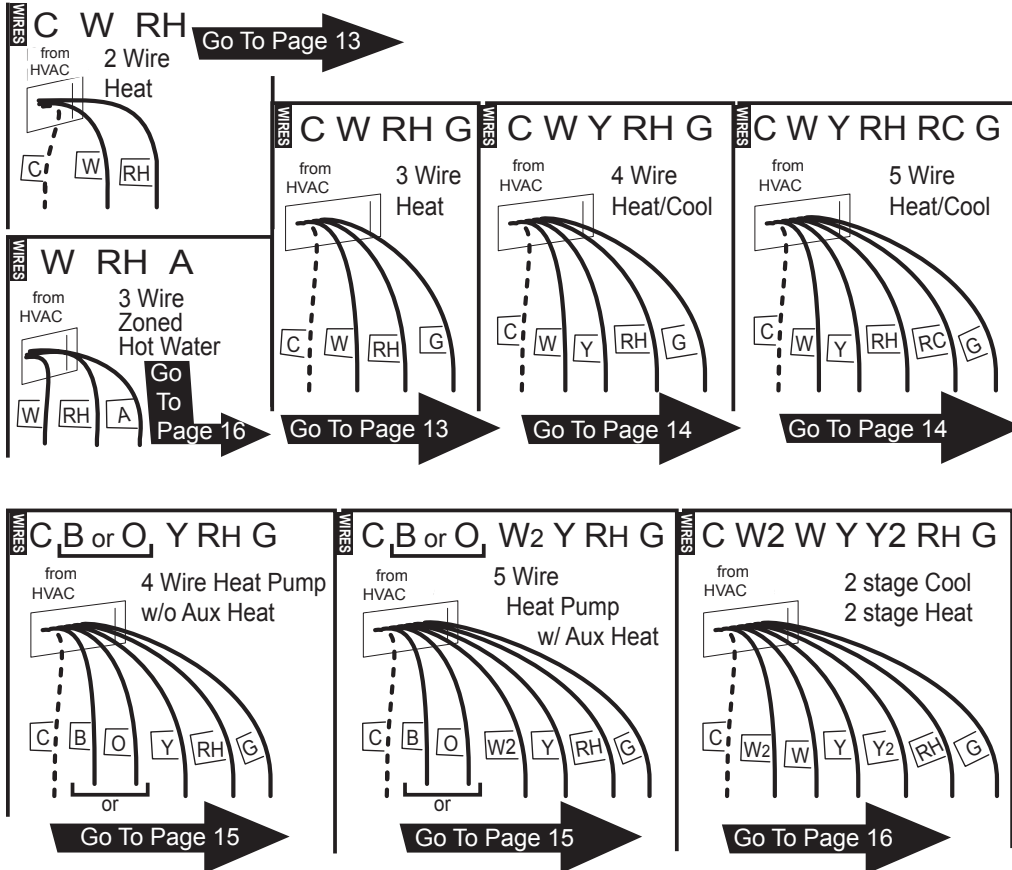


Wire Terminals

Please follow these guidelines for safe and secure wire connections:

- You will need at least 2.6" of wire for each of your connections to the 3M-30.
- If you do not have enough wire, splice additional wire to allow enough slack
- Terminals accept wires from 16-22awg.
- Fan out wires below the hole as shown.
- Remove insulation 1/8" from the tip of each wire.
- Take care not to damage the labels for each wire in handling.

Find the step-by-step diagram for your system



- Select the reference page with your wiring diagram and set-up information below.

- The C-wire is optional but preferred for all installations [shown dotted in diagrams]. Some radio modules will require the 24VAC C-wire power.

- If your combination of wires is not above you can use the wiring table at the end if the install section to determine your connections, contact filtrete@radiothermostat.com or 888-607-5824 for help.

- “Fan” wires out as illustrated with 3M-30 below the wall opening. As in the example: fan out the wires so that the C wire is above the C terminal, the W above the W. This allows the 3M-30 to fit snug to the wall.



Caution

Do not allow wires to touch each other or parts on thermostat.

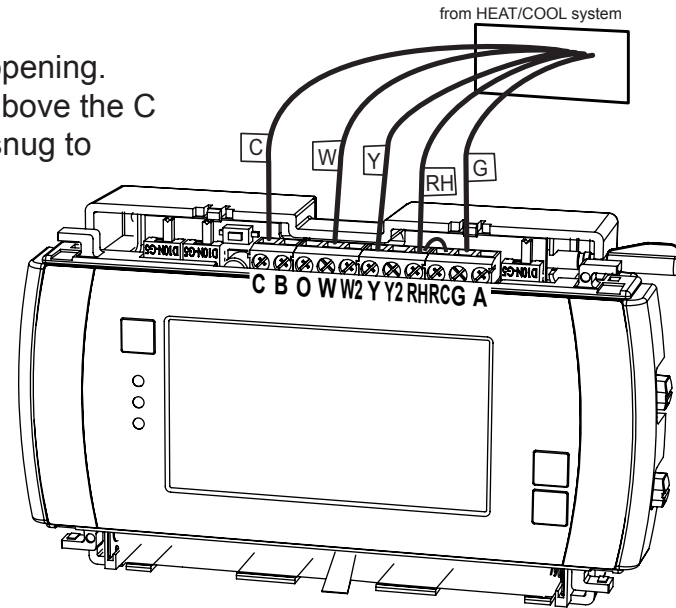
- Wires will position behind the 3M-30 and up over the terminal area.
- Do not bunch wires behind the 3M-30. Feed any slack back into the wall opening.

Connect Your Wires

- Connect labeled wires only to a terminal with the same letter label.
- Insert the wire in the terminal well and tighten the screw securely.

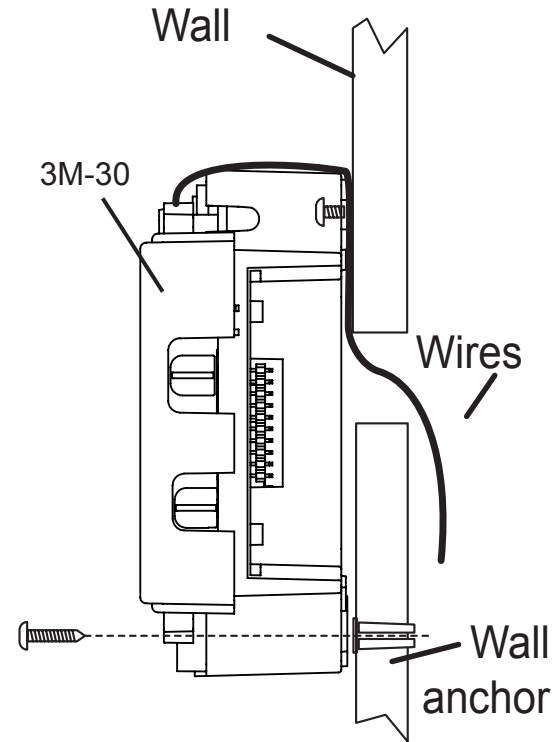
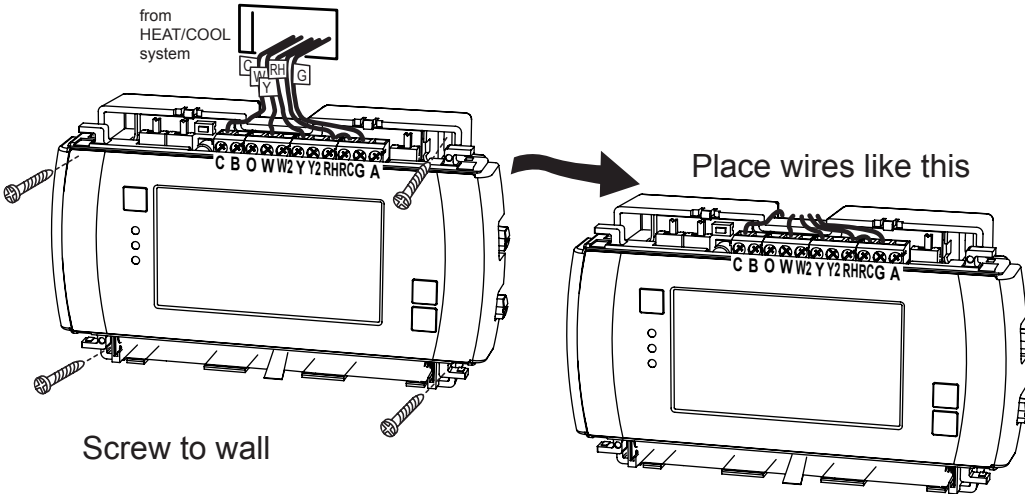
NOTE: If you wish you can mount the 3M-30 to the wall first, and then connect the wires.

- The 3M-30 can be externally powered with a power source rated from 12V to 24V, AC or DC, at 300ma or greater. If used, connect to the C and RH terminals (no polarity).



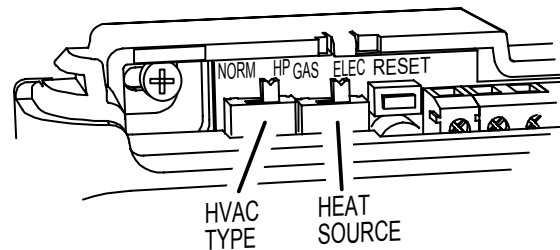
Mount the 3M-30 to wall

1. Hold the 3M-30 against the wall, with the wires coming over the top above terminal block. The 3M-30 will cover the hole in the wall.
2. Position 3M-30 for best appearance.
3. Attach the 3M-30 to the wall with the screws provided.
4. If you are mounting the 3M-30 to sheet rock or if you are using the old mounting holes, use the plastic anchors provided.
5. Mark first and drill a 3/16-in.(4.8mm) hole for the insert at each screw location, then mount the unit.



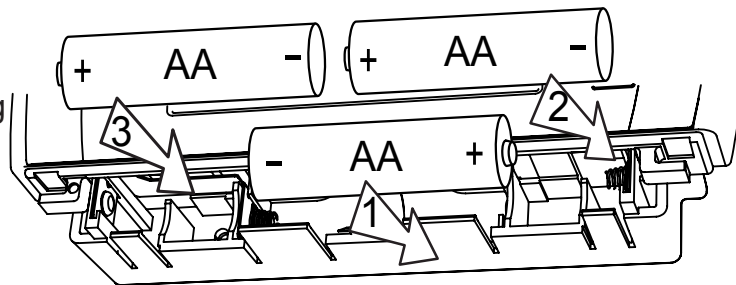
HVAC Selection

- Set the **HVAC TYPE** switch in the **NORM** position if you have conventional natural gas, propane, oil, or electric heat. If you have a HEAT PUMP system set the **HVAC TYPE** switch to **HP**.
- Set the **HEAT SOURCE** switch in the **GAS** position if you have normal gas or oil heat or if you have a heat pump with gas or oil auxiliary heat. Put the **HEAT SOURCE** in the **ELEC** position if you have normal electric heat or if you have a heat pump with electric auxiliary heat.



Install 3 AA Batteries

- Install 3 AA alkaline batteries [required] following the marked polarity in the battery compartment. Put the lower battery in negative end first against the spring, then push the positive end in. Then insert the last 2 batteries as shown.



⚠ IMPORTANT: Press the RESET button (under top cover) to implement the HVAC switch selections.

- With all the wires connected it is time to turn the AC power back on. Do this at the breaker you used to switch it off. The 3M-30 will power-up in the control OFF mode. Your 3M-30 is not configured to operate your HVAC system yet. You must now configure your thermostat for your HVAC system.



Caution

Special Battery Warning

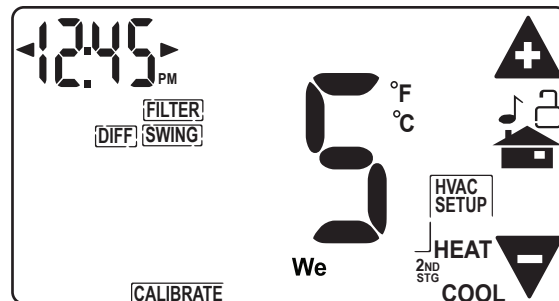
Always replace the batteries as soon as the “Low Batt” flashes. The thermostat is a battery powered device, you must be responsible to replace batteries before they run out. Failure to replace batteries can result in overheating or excessive cooling of your house.

- Even if the “Low Batt” indicator does not flash, you should always replace the batteries at least once a year. Replacing the batteries also helps to prevent leakage that can corrode and damage the thermostat.
- If you are leaving your home for a month or more, you should replace the batteries as a precaution against battery failure in your absence.
- Always use new alkaline batteries.
- Failing to replace the batteries, when necessary, could cause the thermostat to lose power or malfunction. If the thermostat loses power, then the thermostat will not control the temperature which could result in your HVAC system not functioning as you intended and lead to possible damage from overheating or excessive cooling.
- If the thermostat batteries fail with the heat OFF, this can result in NO HEAT and possible frozen or broken pipes and water damage.
- If the thermostat batteries fail with the cool OFF, this can result in NO COOL and could cause possible damage or excessive temperatures.

HVAC Setup on Screen

⚠ IMPORTANT: Make sure the 3M-30 is powered up and the mode switch is set to OFF. HVAC configuration switches must be set first [pg 8].

- With mode in OFF press MENU to do HVAC SET UP.
- Use +/- icons to select HVAC SET UP number on screen. The LCD display will show your selection and indicate the number of stages you have selected. During setup, 2nd stage will blink when both heat and cool have 2nd stages.



If you have a Normal HVAC system and you want fast temperature recovery...

- HEAT and COOL select 1**
2 stage HEAT, 1 stage COOL select 2
2 stage HEAT, 2 stage COOL select 3

If you want efficient [but slower] recovery...

- 2 stage HEAT, 1 stage COOL select 4**
2 stage HEAT, 2 stage COOL select 5

If you have a HEAT PUMP HVAC system...

- HEAT PUMP with AUX heat select A**
(fast recovery)
HEAT PUMP with AUX heat select b
(efficient recovery)
HEAT PUMP no AUX heat select C

NOTE: For 2 stage systems your 3M-30 can recover from a temperature setback in 2 ways: 1] Fast Recovery - This uses your 2nd stage to bring the house to Target Temperature. This may use slightly more energy. 2] Efficient Recovery -This uses the 2nd stage to bring your house to within a few degrees of the Target and then uses the 1st stage to go the last bit. (See setting the differential in the operating guide). This is more efficient.

Test Installation

Follow these procedures to verify you have correctly installed the 3M-30.

TO CHECK FAN (If you connected the G wire):

Move the fan switch to **ON**. Verify that air is blowing from the system. Move the fan switch back to **AUTO**.

TO CHECK HEAT

Set the mode switch to **HEAT**.

Touch the temperature display to bring up the **MANUAL** screen.

Touch the **+** icon and raise the target temp to 90°F; allow the system 2 minutes to respond.

Verify that heat is blowing from the system.

Return mode to **OFF**.

If you have a heat pump, leave mode in **OFF** for 4 minutes before checking **COOL**.

TO CHECK COOL (do not operate AC if the outside temp is below 65°F)

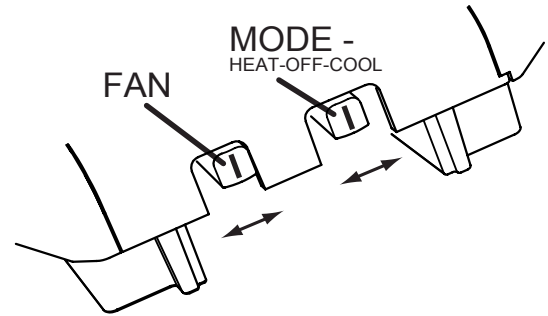
Set the mode switch to **COOL**.

Touch the **-** icon and lower cool target temperature to 50°F.

Allow the system 5 minutes to respond.

Verify that cool air is blowing from the system.

Return mode to **OFF**.

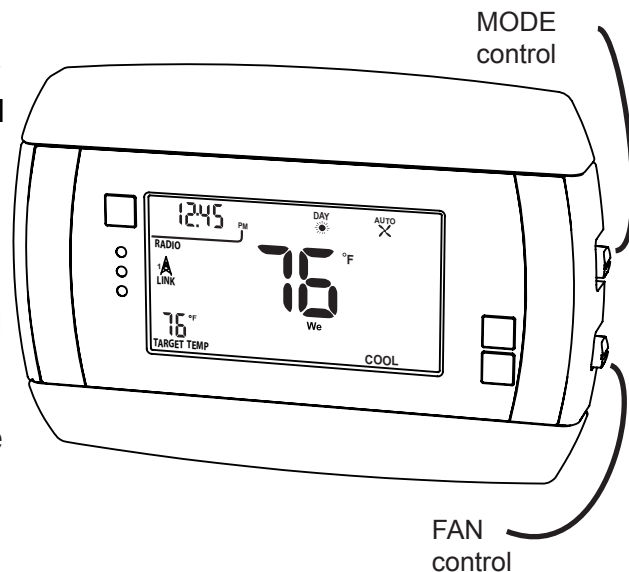


Congratulations, you have successfully installed your unit. Please proceed to the OPERATING Guide to initialize the 3M-30.

⚠ IMPORTANT: After you have labeled and connected your wires, followed the correct HVAC setup, and your system still does not operate, contact support at filtrere@radiothermostat.com or 888-607-5824 8am-midnight EST.

STATEMENT OF USE: This thermostat can be used with 3AA batteries, 24VAC (C wire), 24VAC adapter, heating and cooling systems and also millivolt heating. It cannot be used with line voltage systems. This thermostat is digital and your desired heat or cool temperatures can easily be set on the large touch screen with the +/- buttons. A minimum 4 minute off time protects the compressor from damage.

This thermostat runs on 3AA batteries. It can also run on the HVAC systems 24VAC (C wire) or external 24VAC transformer connected to the C and RH terminals. The 24VAC (C wire) is the other side of the 24VAC heating transformer and can be found where the other thermostat wires connect at the wall or at the furnace. Do not use the common or ground side of the line voltage.



Step-by-step wiring diagrams

WIRING C W RH **2 Wire Heat GAS MILLIVOLT or 24VAC system**

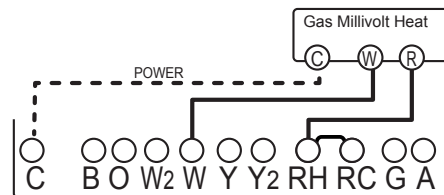
STEP 1 - Connect the R (or RH) wire to the RH terminal. This connects the heat power.

STEP 2 - Connect the W wire to the W terminal. This connects the heat.

STEP 3 - Set HVAC selections switches to NORMAL and GAS

Your heater is now connected to the 3M-30.

← Please Go To Page 6



WIRING C W RH G **3 Wire Heat**

STEP 1 - Connect the R (or RH) wire to the RH terminal. This connects the heat power.

STEP 2 - Connect the W wire to the W terminal. This connects the heat.

STEP 3 - Connect the G wire to the G terminal on the thermostat. This connects the fan.

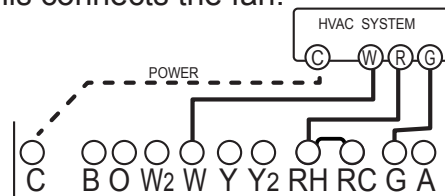
STEP 4 - Set HVAC selection switches to NORMAL and:

If you have gas or oil heat, set the HEAT TYPE to GAS

If you have electric heat, set the HEAT TYPE to ELEC

Your system is now connected to the 3M-30.

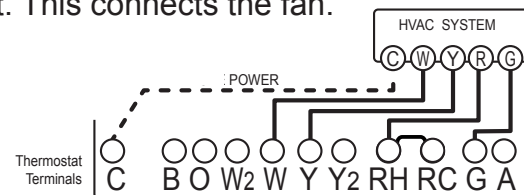
← Please Go To Page 6



W Y RH G 4 Wire Heat/Cool

- STEP 1 - Connect the W wire to the W terminal. This connects the heat.
- STEP 2 - Connect the Y wire to the Y terminal. This connects the cooling compressor.
- STEP 3 - Connect the RH or R wire to the RH terminal. This connects the power.
- STEP 4 - Connect the G wire to the G terminal on the thermostat. This connects the fan.
- STEP 5 - Set HVAC selection switches to NORMAL and:
- If you have gas or oil heat, set the HEAT TYPE switch to GAS.
- If you have electric heat, set the HEAT TYPE switch to ELEC.
- Your HVAC system is now connected to the 3M-30.

← Please Go To Page 6

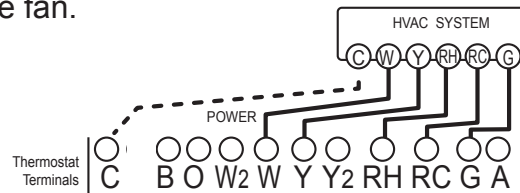


W Y RH RC G 5 Wire Heat/Cool

- STEP 1 - Connect the W wire to the W terminal. This connects the heat.
- STEP 2 - Connect the Y wire to the Y terminal. This connects the cooling compressor.
- STEP 3 - Disconnect the jumper between RH and RC terminals.
- STEP 4 - Connect the RH wire to the RH and the RC wire to the RC terminals. This connects power.
- STEP 5 - Connect the G wire to the G terminal. This connects the fan.
- STEP 6 - Set HVAC selection switches to NORMAL and:
- If you have gas or oil heat, set the HEAT TYPE to GAS.
- If you have electric heat, set the HEAT TYPE to ELEC.

Your HVAC system is now connected to the 3M-30.

← Please Go To Page 6



WIRING C B or O Y R G

4 Wire Heat Pump (heat/cool) without Auxiliary Heat

STEP 1 - Connect O wire to the O or B wire to the B terminal. This connects the change-over valve. If you have both O and B - connect the O wire to the O terminal.

WARNING: DO NOT connect B to B terminal (see wire reference under Trane for B wire terminal).

STEP 2 - Connect the Y wire to Y terminal. This connects the compressor.

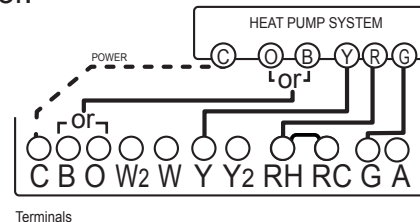
STEP 3 - Connect the R wire to RH. This connects the power.

STEP 4 - Connect the G wire to the G. This connects the fan.

STEP 5 - Set HVAC selection switch to HEAT PUMP and set the HEAT TYPE to ELEC.

Your HVAC system is now connected to the 3M-30.

← Please Go To Page 6



WIRING C B or O W2 Y RH G

5 Wire Heat Pump with Auxiliary Heat

STEP 1 - Connect O wire to the O or B wire to the B terminal. This connects the change-over valve. If you have both O and B - connect the O wire to the O terminal.

WARNING: DO NOT connect B to B terminal (see wire reference under Trane for B wire terminal).

STEP 2 - Connect the W2 wire to W2 terminal. This connects the auxiliary heat.

STEP 3 - Connect the Y wire to Y terminal. This connects the compressor.

STEP 4 - Connect the R wire to RH terminal. This connects the power.

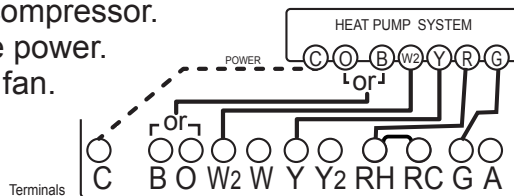
STEP 5 - Connect the G wire to G terminal. This connects the fan.

STEP 6 - Set HVAC selection switches to heat pump and: If you have gas or oil aux heat, set the HEAT TYPE to GAS.

If you have electric aux heat, set the HEAT TYPE to ELEC.

Your HVAC system is now connected to the 3M-30.

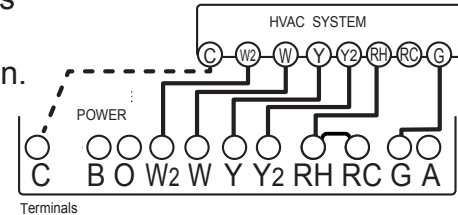
← Please Go To Page 6



WIRING **C W2 W Y Y2 RH G** **2 Stage Heat and 2 Stage Cool**

- STEP 1 - Connect the W wire to the W terminal. This connects the 1st stage of HEAT.
- STEP 2 - Connect the W2 wire to the W2 Terminal. This connects the 2nd stage of HEAT.
- STEP 3 - Connect the Y wire to the Y terminal. This connects the 1st stage of COOL.
- STEP 4 - Connect the Y2 wire to the Y2 terminal. This connects the 2nd stage of COOL.
- STEP 5 - Connect the RH or R wire to the RH terminal. This connects the power.

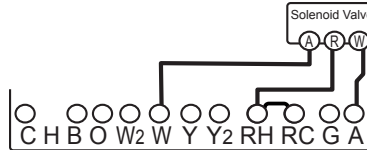
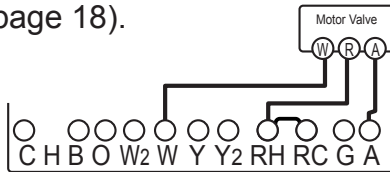
- STEP 6 - Connect the G wire to the G terminal. This connects the fan.
- STEP 7 - Set HVAC selection switches to NORMAL and:
 If you have gas or oil heat, set the HEAT TYPE to GAS.
 If you have electric heat, set the HEAT TYPE to ELEC.
 Your HVAC system is now connected to the 3M-30.



← Please Go To Page 6

WIRING **W RH [A?]** **3 Wire Zoned Hot Water**

For Solenoid valve or Motor valve connect the wires based on diagrams below to the correct terminal on the 3M-30. USE ONLY IN HEAT MODE. The third wire on your valve may be called 6, Y, or G (see page 18).



← Please Go To Page 6

Wire Reference Chart

Possible Wires

R or V or VR

RH or 4

RC

W

W2

W3

Y

Y2

G or F

C or X

H

DH

EX

B

O

B and O

E

L

T

What they control

RH and **RC** Single power for HEAT and COOL

RH Power for HEAT (RH not connected to RC jumper clip removed)

RC Power for COOL (RH not connected to RC jumper clip removed)

W Heat control

W2 2nd stage HEAT or heat pump auxiliary heat

W3 3rd stage HEAT or 2nd stage of 2 stage auxiliary heat

Y COOL control or 1st stage compression for heat pump.

Y2 2nd stage COOL control or 2nd stage compression for a heat pump

G FAN control

C 24VAC power (to power thermostat)

NOTE: TRANE uses B for this connection

H External Humidifier

DH External De-Humidifier

EX external fresh air baffle

B Heat pump changeover (cool to heat, powered in heat)

O Heat pump changeover (heat to cool, powered in cool)

▲ IMPORTANT: If there are both B and O wires (Trane pump products) DO NOT CONNECT B to B terminal, connect B to C terminal. If not a Trane product tape off B.

n/a Emergency heat (do not connect, tape off)

n/a System monitor (do not connect, tape off)

n/a Outdoor sensor (do not connect, tape off)

Lennox Heat Pump

V or VR or R	RH Power for HEAT
M or Y	Y COOL control
Y or W or W2	W2 2nd stage HEAT
F or G	G Fan control
R or O	O
X or X2	C

Trane Products [American Standard]

B	C 24VAC power (to power thermostat)
W or W1	W2 2nd stage HEAT
X2	Emergency heat (do not connect, tape off)

Zoned Hot Water**2 wire**

Your Wires	Thermostat Terminal
R	RH
W	W

3 Wire**Motor Driven Valves**

R or 5	RH (power)
W or 4	W (heat ON)
Y or G or 6 (the 3rd wire)	A (heat OFF)
Y or G or 6 (the 3rd wire)	A (heat OFF)

3 Wire**Solenoid Valves**

R	RH (power)
W	A (heat ON)
Y or G (the 3rd wire)	W (heat OFF)

Guía de Instalación 3M-30

Filtrete™

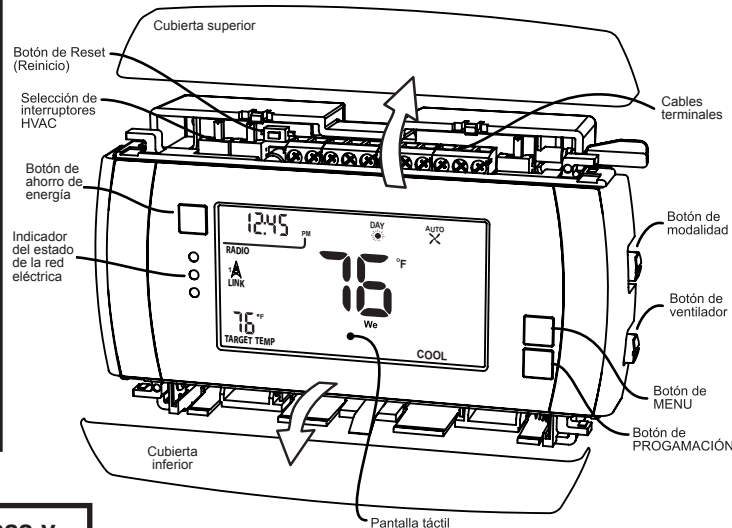
3M

⚠ Precaución

- Tu termostato es un instrumento de precisión, manipúlalo con cuidado.
- Apaga la electricidad del sistema de calefacción, ventilación y aire acondicionado (HVAC) antes de instalar o reparar el termostato o cualquier parte del sistema.
- No enciendas la electricidad de nuevo hasta terminar el trabajo.
- No hagas conexión directa (puente) entre los terminales eléctricos en el control del calefactor o el aire acondicionado para probar el sistema. Esto podría dañar el termostato.
- Todo el cableado debe cumplir con los códigos y ordenanzas locales.
- Este termostato está diseñado para funcionar con 3 baterías alcalinas AA y/o cable para accesorios (ACC, en inglés) de 24 voltios (o una fuente 12-24 CA o CC) y sistemas de gas de milivoltios. La carga de cada relé de termostato debe limitarse a 1.0 amperes; un mayor amperaje puede causar daños al termostato.

⚠ Precaución

Para evitar descargas eléctricas y daños al calefactor, aire acondicionado y termostato, **desconecta el suministro de electricidad antes de empezar el trabajo.** Esto puede hacerse en el cortacircuitos.



HERRAMIENTAS

Necesitarás un destornillador Phillips pequeño y un taladro con broca de 4.8 mm para el montaje en la pared.

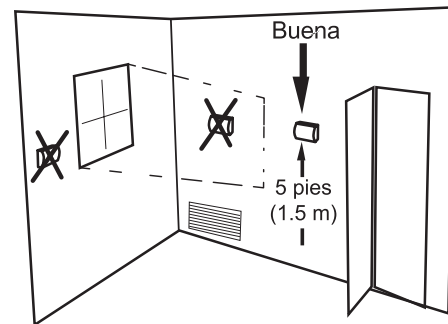
UBICACIÓN

Instalaciones de reemplazo – instala el 3M-30 en el mismo lugar del termostato viejo.

Una ubicación diferente requerirá que muevas el cableado.

Para instalaciones nuevas y para ubicar el 3M-30 en un sitio distinto sigue los siguientes lineamientos:

- Ubica el termostato en una pared interna, cerca de 5 pies (1.5 m) sobre el piso y en una habitación usada con frecuencia.
- No lo instales bajo condiciones de calor inusuales, como por ejemplo: bajo la luz directa del sol; cerca de una lámpara, radio, televisión, registro de radiador, chimenea; cerca de paredes con tuberías; o cerca de una pared con una estufa del otro lado.
- No instalar bajo condiciones de frío inusuales como: en una pared contigua a una habitación sin calefacción; o expuesta a la corriente de aire de una ventana, puerta o escalera.
- No instalar en un área húmeda. Esto puede acelerar la corrosión y acortar la vida útil del producto.
- No lo instales donde haya poca circulación de aire como por ejemplo: en una esquina, nicho o detrás de una puerta.
- No instales el 3M-30 hasta que el proceso de construcción y pintura haya finalizado.
- Este termostato no requiere nivelación.



RETIRAR LA UNIDAD VIEJA

⚠ APAGA la electricidad de los sistemas de CALEFACCIÓN y VENTILACIÓN.

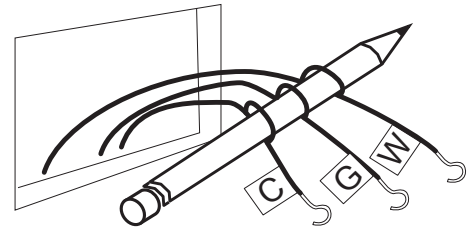
Luego sigue los pasos siguientes:

- Retira la cubierta del termostato viejo. La mayoría de las cubiertas se ajustan por presión, y pueden retirarse simplemente halándolas hacia afuera. Algunas tienen tornillos de seguridad en los lados o al frente. Estos se deben aflojar. **NO** retires los cables. Toma nota de las letras impresas cerca de los terminales. Pega las etiquetas (incluidas) para identificar cada cable.

⚠ Precaución

Lee las instrucciones cuidadosamente antes de retirar cualquier cable del termostato. Los cables deben etiquetarse antes de ser retirados. **NO EXISTE UN CÓDIGO ESTÁNDAR DE COLORES.** Al quitar los cables de los terminales ignora el color de los cables y **ETIQUÉTALOS** según la letra del terminal donde van atornillados.

- Etiqueta los cables uno por uno. Debes etiquetar todos los cables antes de continuar con la instalación.
- Una vez identificados todos los cables, desconéctalos de la unidad vieja.
- Asegúrate de que los cables no se pierdan dentro de la pared. Puedes enrollarlos en un lápiz para evitar que caigan adentro.
- Afloja todos los tornillos del termostato viejo y retíralo de la pared.



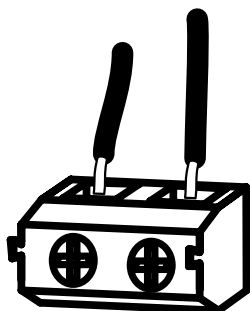
¿Cuáles cables tienes?

Asegúrate de que los cables estén etiquetados. Esto puede requerir que encuentres 'el otro extremo' de la conexión para cada cable de tu equipo de aire acondicionado o calefacción, para ver la etiqueta del mismo. Consulta la página de Referencia sobre el cableado al final de la sección de instalación para entender mejor el sistema de etiquetado de los diferentes fabricantes de sistemas de aire acondicionado, ventilación y calefacción (HVAC).

⚠ IMPORTANTE: El 3M-30 funciona con 3 baterías AA alcalinas y/o con el cable C si es el caso. Si no tienes un cable C puedes conectar un cable nuevo desde el HVAC o usar un transformador estándar de pared, de 12-24V [CA o CC]. Si se va a usar un módulo de radio, se requerirá una fuente constante de energía.

⚠ IMPORTANTE: Si tienes cables de retorno de calefacción (RH) y retorno de enfriamiento (RC) es necesario que retires el cable del puente entre los dos 2 terminales.

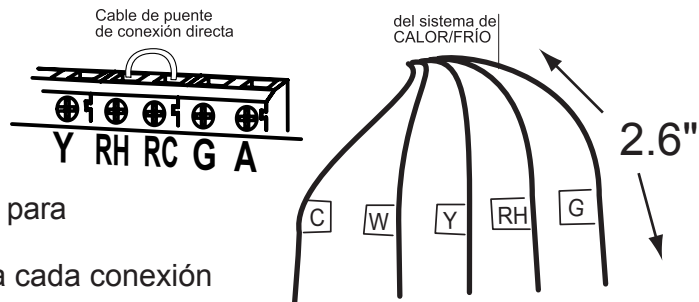
Prepara los cables



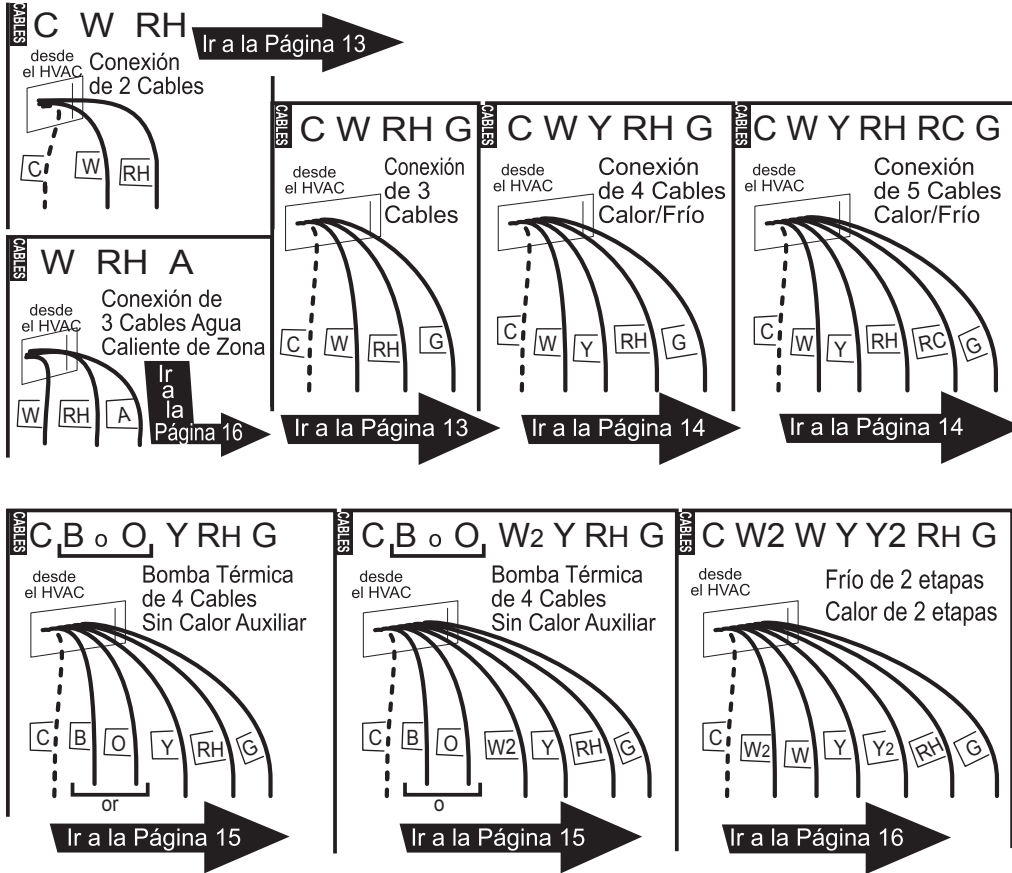
Terminales de cable

Por favor sigue los siguientes lineamientos para hacer conexiones seguras y estables:

- Necesitarás al menos 2.6" de cable para cada conexión del 3M-30.
- Si el largo de los cables no es suficiente, empalma para extender hasta donde sea necesario.
- Los terminales aceptan cables de 16-22 awg.
- Extiende los cables debajo del orificio, como se muestra en la figura.
- Quita 1/8" del aislamiento a partir de la punta de cada cable.
- Ten cuidado de no dañar las etiquetas de cada cable.



Encuentra el diagrama paso por paso de tu sistema



- Elige más abajo la página de referencia que contenga el diagrama de cableado y la información de configuración que necesitas.
- El cable C es opcional, pero se recomienda para todas las instalaciones [es el cable punteado del diagrama]. Algunos módulos necesitarán el cable C de alimentación de 24V CA.
- Si tu combinación de cables no se muestra, puedes usar la tabla de cableados al final de la sección de instalación, contacta a filtrete@radiothermostat.com o llama al 888-607-5824 para asistencia.

- Extiende los cables tal y como se ilustra, con el 3M-30 debajo de la abertura de la pared.
- Como en el ejemplo: extiende los cables de manera que el cable C esté encima del terminal C, el W encima del W. Esto permitirá que el 3M-30 ajuste bien en la pared.



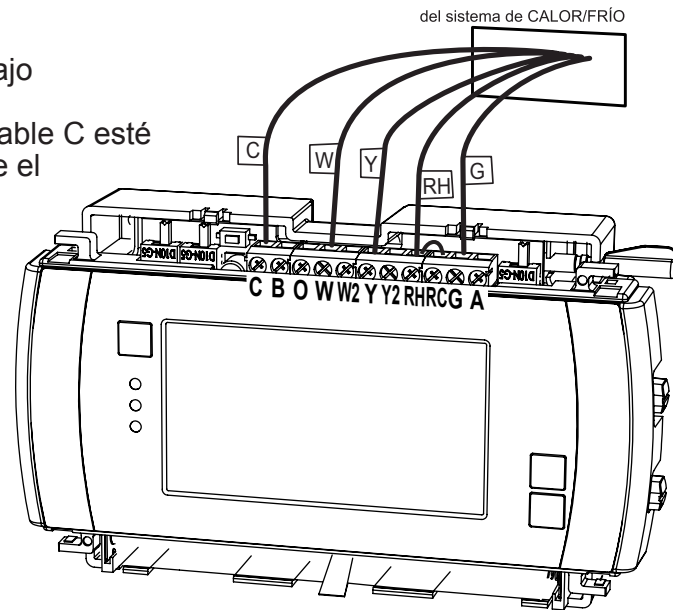
Caution

No permitas que los cables o las piezas del termostato se toquen entre sí.

- Los cables quedarán detrás del 3M-30 y por encima del área del terminal.
- No amontones los cables detrás del 3M-30. Introduce lo que sobra de los cables en el orificio de la pared.

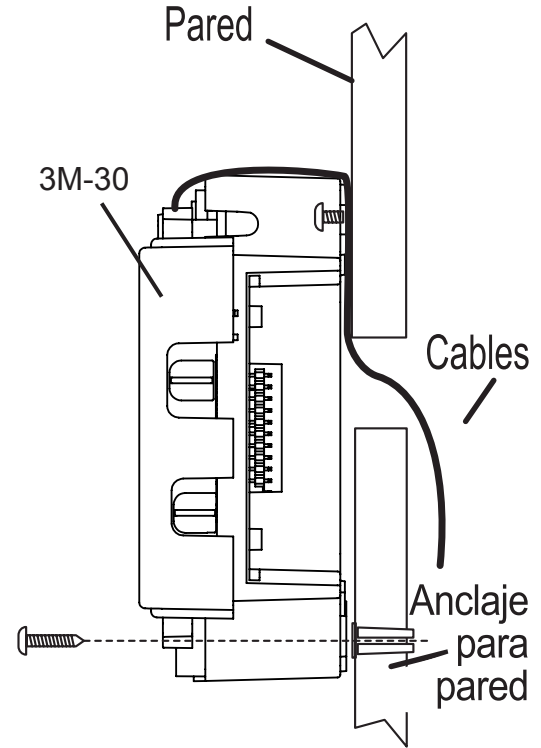
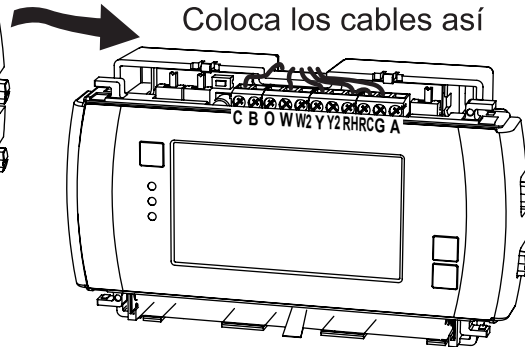
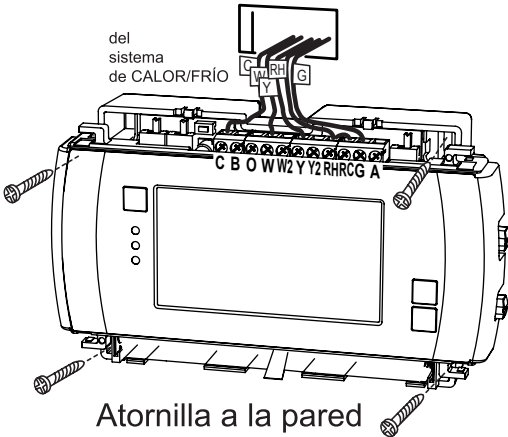
Conecta Tus Cables

- Conecta los cables etiquetados solamente al terminal correspondiente a cada letra.
 - Inserta completamente el cable en el terminal y aprieta bien el tornillo.
- NOTA: Si lo deseas puedes montar el 3M-30 a la pared primero, y después conectar los cables.
- El 3M-30 puede alimentarse de una fuente de corriente externa con clasificación de 12V a 24V, CA o CC, de 300 mA o más. Si lo usas, conéctalo a los terminales C y RH terminales (sin polaridad).



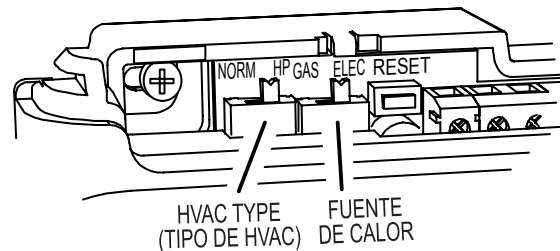
Monta el 3M-30 en la pared

1. Sostén el 3M-30 pegado a la pared, de modo que los cables queden por encima del bloque del terminal. El 3M-30 cubrirá el orificio en la pared.
2. Ajusta la posición del 3M-30 de la manera que se vea mejor.
3. Atornilla el 3M-30 en la pared con los tornillos incluidos.
4. Si vas a montar el 3M-30 sobre yeso o en los orificios donde estaba el termostato anterior, usa los anclajes de plástico incluidos.
5. Haz una marca primero, y taladra un orificio de 3/16 de plg (4.8mm) donde irá cada tornillo; seguidamente, monta la unidad.



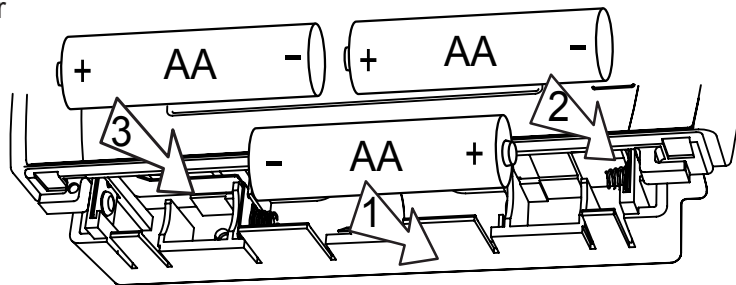
Selección de HVAC

- Si usas gas natural convencional, propano, aceite o calefacción eléctrica, coloca el interruptor de **HVAC TYPE (TIPO DE HVAC)** en la posición de **NORM (NORMAL)**. Si tienes un sistema de BOMBA TÉRMICA, coloca el interruptor de HVAC TYPE en la posición de **HP (BOMBA TÉRMICA)**.
- Coloca el interruptor de **HEAT SOURCE (FUENTE DE CALOR)** en la posición de GAS si usas calefacción de gas normal o aceite, o si tienes una bomba térmica de gas o con calefacción auxiliar de aceite. Coloca el interruptor de **HEAT SOURCE** en la posición de **ELEC (ELÉCTRICO)** si tienes una calefacción eléctrica normal o si tienes una bomba térmica con calefacción auxiliar eléctrica.



Instal 3 AA Batteries

- Instala 3 baterías AA alcalinas [necesarias] de acuerdo a la polaridad que se muestra en el compartimiento para baterías. Coloca la batería de abajo con el borne negativo hacia adentro y en contacto con el resorte. Luego inserta las últimas 2 baterías como se muestra.



⚠ IMPORTANTE: Oprime el botón de REINICIO (debajo de la cubierta) para implementar las selecciones del interruptor de HVAC.

- Una vez que todos los cables estén conectados, puedes encender la corriente eléctrica del aire acondicionado. Usa el cortacircuitos para ello. Tu 3M-30 aún no está configurado para controlar tu sistema de HVAC. Primero debes configurar tu termostato de acuerdo a tu sistema de HVAC.



Precaución

Advertencia Especial para las Baterías

Cambia siempre las baterías tan pronto como se encienda la luz de “Low Batt” (Batería Baja). El termostato es un dispositivo que funciona con baterías; es tu responsabilidad cambiar las baterías antes de que se agoten. No cambiar las baterías podría dar como resultado un sobrecalentamiento o enfriamiento de la casa.

- Aun cuando la luz de “Low Batt” (Batería Baja) no se encienda, debes cambiar las baterías al menos una vez al año. Cambiar las baterías también puede prevenir la liberación de sustancias que pueden corroer y dañar el termostato.
- Si estarás ausente del hogar por un mes o más, es recomendable que cambies las baterías, como precaución ante fallas durante tu ausencia.
- Usa siempre baterías alcalinas.
- No cambiar las baterías cuando sea necesario, puede causar que el termostato falle o pierda potencia. Si el termostato pierde potencia no controlará la temperatura, lo cual podría causar que tu sistema de calefacción, ventilación y aire acondicionado (HVAC) no funcione como es debido y se produzcan daños por sobrecalentamiento o enfriamiento excesivo.
- Si las baterías del termostato fallan con la calefacción en OFF (APAGADO), esto puede provocar que **NO HAYA CALEFACCIÓN** lo que a su vez puede resultar en tuberías congeladas y daños causados por el agua.
- Si las baterías del termostato fallan con el aire acondicionado en OFF (APAGADO), esto puede causar que **NO FUNCIONE EL AIRE ACONDICIONADO**, lo cual a su vez puede resultar en daños o temperaturas excesivas.

Configuración del HVAC en la Pantalla

⚠ IMPORTANTE: Verifica que el 3M-30 esté encendido y que el interruptor esté en modalidad de OFF. Primero se deben configurar los interruptores del HVAC [pág 8].

- Con la modalidad en OFF oprime el botón de MENU (MENÚ) para CONFIGURAR EL HVAC.

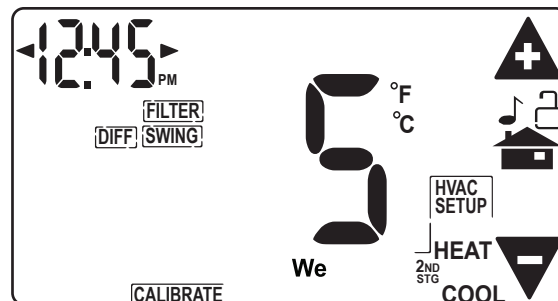
- Usa los iconos de +/- para seleccionar el número de CONFIGURACIÓN DEL HVAC en la pantalla. Tu elección y el número de pasos aparecerán en la pantalla LCD. Durante la configuración, la luz de 2nd stage (2nda etapa) parpadeará cuando la calefacción y el aire acondicionado hayan alcanzado la segunda etapa.

Si tienes un sistema HVAC normal y quieres que la temperatura se nivele rápidamente...

CALOR y FRÍO selecciona 1
CALOR etapa 2, FRÍO etapa 1 selecciona 2
CALOR etapa 2, FRÍO etapa 2 selecciona 3

Si quieres que la temperatura se nivele eficientemente [pero más lentamente]...

CALOR etapa 2, FRÍO etapa 1 selecciona 4
CALOR etapa 2, FRÍO etapa 2 selecciona 5



Si tienes un sistema HVAC de BOMBA TÉRMICA...

BOMBA TÉRMICA con calefacción AUXILIAR selecciona la A
(nivelación rápida)

BOMBA TÉRMICA con calefacción AUXILIAR selecciona la B
(nivelación eficiente)

BOMBA TÉRMICA sin calefacción AUXILIAR selecciona la C

NOTA: Para sistemas de 2 etapas tu 3M-30 puede recuperar la temperatura de 2 maneras: 1] Nivelación rápida – Ésta usa la 2nda etapa para alcanzar la temperatura deseada en la casa. Es probable que esta configuración use un poco más de electricidad. 2] Nivelación eficiente – Usa la 2nda etapa para acercar la temperatura de la casa a aquella que se desea, con una diferencia de pocos grados, y luego usa la 1era etapa para completar el proceso hasta alcanzar la temperatura final deseada. (Ver cómo configurar el diferencial en la guía de funcionamiento).

Instalación de Prueba

Sigue el siguiente procedimiento para verificar que has instalado el 3M-30 correctamente.

PARA PROBAR EL VENTILADOR (si conectaste el cable G):

Coloca el interruptor del ventilador en la posición de **ON** (ENCENDIDO). Verifica que el sistema está soplando aire. Vuelve a colocar el interruptor del ventilador en la posición de **AUTO** (AUTOMÁTICO).

PARA PROBAR LA CALEFACCIÓN

Coloca el interruptor en la posición de **HEAT** (CALOR).

Toca la pantalla de temperatura para que aparezca la pantalla MANUAL.

Toca el símbolo de **+** para aumentar la temperatura a 90°F; el sistema puede tomar hasta 2 minutos para responder. Verifica que el sistema está soplando aire. Vuelve a la modalidad de **OFF** (APAGADO).

Si tienes una bomba térmica deja el interruptor en modalidad de **OFF** (APAGADO) por 4 minutos antes de cambiar a **COOL** (FRÍO).

PARA PROBAR EL AIRE ACONDICIONADO (no encenderlo si la temperatura exterior es menor a 65°F)_ Coloca el interruptor en modo de **COOL** (FRÍO).

Toca el símbolo de **-** para bajar la temperatura a 50°F.

El sistema puede tomar hasta 5 minutos para responder.

Verifica que el sistema está soplando aire frío.

Vuelve a la modalidad de **OFF** (APAGADO).

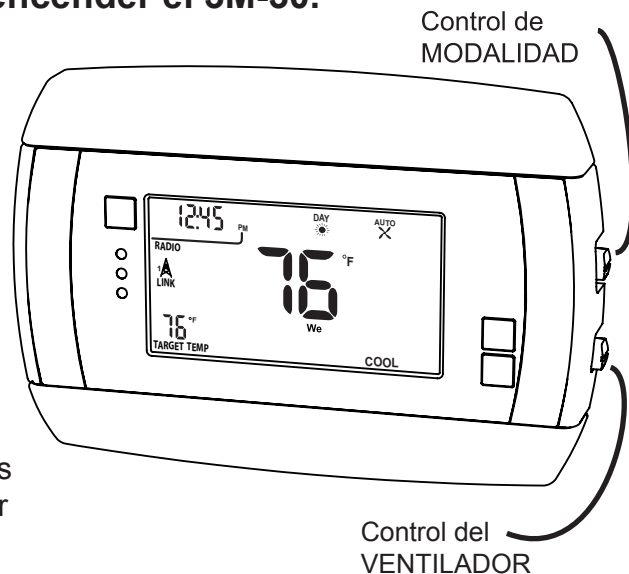
**Felicitaciones, has instalado la unidad exitosamente.
Por favor pasa a la Guía de FUNCIONAMIENTO encender el 3M-30.**

⚠ IMPORTANTE: Si has etiquetado y conectado los cables, configurado correctamente el HVAC, y aún así tu sistema no funciona, contacta a asistencia técnica a través de filtrere@radiothermostat.com o por teléfono: 888-607-5824 de 8:00 a.m. a 12:00 a.m. HORA ESTÁNDAR DEL

ESTE (EST). DECLARACIÓN DE USO: Este termostato puede usarse con 3 baterías AA, 24V CA (cable C), adaptador de 24V CA, sistemas de calefacción y aire acondicionado y también calefacción de milivoltios.

No puede ser usado con sistemas de voltaje en línea. Este termostato es digital y la temperatura deseada, caliente o fría, puede ajustarse fácilmente mediante los botones de +/- . Un mínimo de 4 minutos apagado, protege el compresor contra daños.

Este termostato funciona con 3 baterías AA. También funciona en sistemas de HVAC de 24V CA (cable C) o con transformador externo 24V CA conectado a los terminales C y RH. El cable de 24 V CA (cable C) se encuentra del otro lado del transformador de calefacción 24V CA donde los demás cables del termostato se conectan a la pared o al calefactor. No usar el lado común o de tierra de la línea de voltaje.



Diagramas paso por paso del cableado

WIREM © W RH

Sistema de calefacción de GAS DE MILIVOLTIOS de 2 cables de calefacción o 24V CA

PASO 1 - Conecta el cable R (o RH) al terminal RH. Esto conecta la fuente de energía de la calefacción.

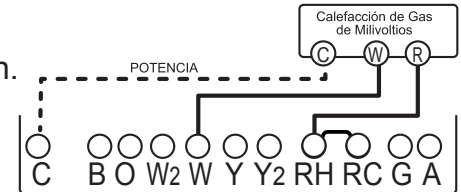
PASO 2 - Conecta el cable W al terminal W. Esto conecta la calefacción.

PASO 3 - Coloca los interruptores del HVAC en NORMAL y GAS.

Has conectado tu calefacción al 3M-30.



Favor de ir a la Página 6



WIREM © W RH G

Calefacción con 3 Cables

PASO 2 - Conecta el cable W al terminal W. Esto conecta la calefacción.

PASO 3 - Conecta el cable G al terminal G del termostato. Esto conecta el ventilador.

PASO 4 - Coloca los interruptores del HVAC en NORMAL: Si tienes una calefacción de gas o aceite, coloca el interruptor de HEAT TYPE (TIPO DE CALEFACCIÓN) en la

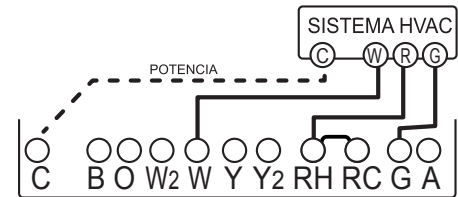
posición de GAS. Si tienes una calefacción eléctrica, coloca el

interruptor de HEAT TYPE (TIPO DE CALEFACCIÓN) en la posición de ELEC

Tu sistema está ahora conectado al 3M-30.



Favor de ir a la Página 6



W Y RH G Calefacción/Aire Acondicionado de 4 Cables

PASO 1 - Conecta el cable W al terminal W. Esto conecta la calefacción.

PASO 2 - Conecta el cable Y al terminal Y. Esto conecta el compresor de enfriamiento.

PASO 3 - Conecta el cable RH o R (o RH) al terminal RH. Esto conecta la fuente de energía.

PASO 4 - Conecta el cable G al terminal G del termostato. Esto conecta el ventilador.

PASO 5 - Coloca los interruptores del HVAC en NORMAL: Si tienes una calefacción

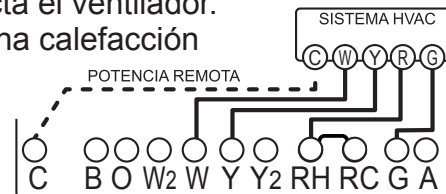
de gas o aceite, coloca el interruptor de HEAT TYPE (TIPO DE

CALEFACCIÓN) en la posición de GAS. Si tienes una calefacción

eléctrica, coloca el interruptor de HEAT TYPE

(TIPO DE CALEFACCIÓN) en la posición de ELEC.

Tu sistema HVAC está ahora conectado al 3M-30.



← Favor de ir a la Página 6

W Y RH RC G Calefacción/Aire Acondicionado de 5 Cables

PASO 1 - Conecta el cable W al terminal W. Esto conecta la calefacción.

PASO 2 - Conecta el cable Y al terminal Y. Esto conecta el compresor de enfriamiento.

PASO 3 - Desconecta la conexión directa entre los terminales RH y RC.

PASO 4 - Conecta el cable RH al terminal RH y cable RC al terminal RC. Esto conecta la fuente de energía.

PASO 5 - Conecta el cable G al terminal G. Esto conecta el ventilador.

PASO 6 - Coloca los interruptores del HVAC en NORMAL:

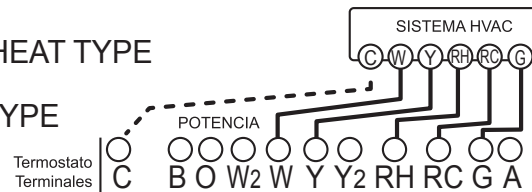
Si tienes una calefacción de gas o aceite, coloca el interruptor de HEAT TYPE

(TIPO DE CALEFACCIÓN) en la posición de GAS

Si tienes una calefacción eléctrica, coloca el interruptor de HEAT TYPE

(TIPO DE CALEFACCIÓN) en la posición de ELEC

Tu sistema HVAC está ahora conectado al 3M-30.



← Favor de ir a la Página 6

C B or O Y R G

Bomba Térmica de 4 cables (calor/frío) sin Calefacción Auxiliar

PASO 1 - Conecta el cable O al terminal O o el cable B al terminal B. Esto conecta la válvula conmutadora.

Si hay cables O y B – conecta el cable O al terminal O.

ADVERTENCIA: NO conectes el cable B al terminal B

(consulta la referencia de cableado de Trane para terminal de cable B).

PASO 2 - Conecta el cable Y al terminal Y. Esto conecta el compresor.

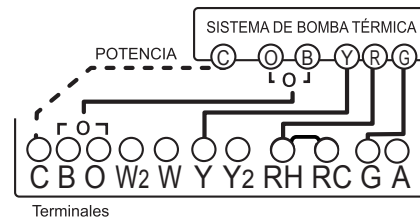
PASO 3 - Conecta el cable R al RH. Esto conecta la fuente de energía.

PASO 4 - Conecta el cable G al G. Esto conecta el ventilador.

PASO 5 - Coloca el interruptor de selección de HVAC en HEAT PUMP (BOMBA TÉRMICA) y el de HEAT TYPE (TIPO DE CALEFACCIÓN) en ELEC.

Tu sistema HVAC está ahora conectado al 3M-30.

← Favor de ir a la Página 6



C B or O W2 Y RH G

Bomba Térmica de 5 Cables con Calefacción Auxiliar

PASO 1 - Conecta el cable O al terminal O o el cable B al terminal B. Esto conecta la válvula conmutadora.

Si hay cables O y B – conecta el cable O al terminal O.

ADVERTENCIA: NO conectes el cable B al terminal B (consulta la referencia de cableado de Trane para terminal de cable B).

PASO 2 - Conecta el cable W2 al terminal W2. Esto conecta la calefacción auxiliar.

PASO 3 - Conecta el cable Y al terminal Y. Esto conecta el compresor.

PASO 4 - Conecta el cable R al terminal RH. Esto conecta la fuente de poder.

PASO 5 - Conecta el cable G al terminal G. Esto conecta el ventilador.

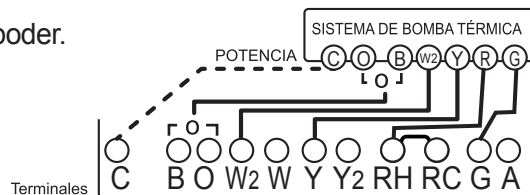
PASO 6 - Coloca los interruptores del HVAC en bomba térmica:

Si tienes una calefacción auxiliar de gas o aceite, coloca el interruptor de HEAT TYPE (TIPO DE CALEFACCIÓN) en la posición de GAS.

Si tienes una calefacción auxiliar eléctrica, coloca el interruptor de HEAT TYPE (TIPO DE CALEFACCIÓN) en la posición de ELEC.

Tu sistema HVAC está ahora conectado al 3M-30.

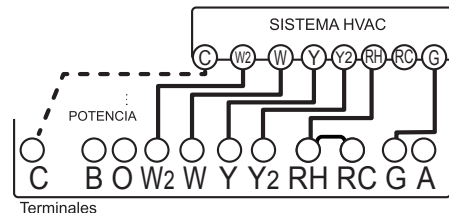
← Favor de ir a la Página 6



W2 W Y Y2 RH G Calefacción y Aire Acondicionado de 2 Etapas

- PASO 1 – Conecta el cable W al terminal W. Esto conecta la 1era etapa de la CALEFACCIÓN.
- PASO 2 – Conecta el cable W2 al terminal W2. Esto conecta la 2nda etapa de la CALEFACCIÓN.
- PASO 3 – Conecta el cable Y al terminal Y. Esto conecta la 1era etapa del AIRE ACONDICIONADO.
- PASO 4 – Conecta el cable Y2 al terminal Y2. Esto conecta la 2nda etapa del AIRE ACONDICIONADO.
- PASO 5 – Conecta el cable RH o R (o RH) al terminal RH. Esto conecta la fuente de energía.
- PASO 6 – Conecta el cable G al terminal G. Esto conecta el ventilador.
- PASO 7 – Coloca los interruptores del HVAC en NORMAL y:

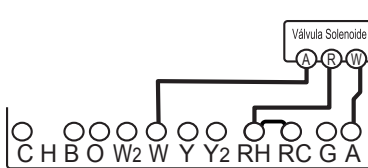
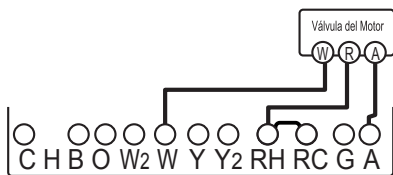
Si tienes una calefacción de gas o aceite, coloca el interruptor de HEAT TYPE (TIPO DE CALEFACCIÓN) en la posición de GAS
 Si tienes una calefacción eléctrica, coloca el interruptor de HEAT TYPE (TIPO DE CALEFACCIÓN) en la posición de ELEC
 Tu sistema HVAC está ahora conectado al 3M-30.



← Favor de ir a la Página 6

W RH [A?] Agua Caliente de Zona, con 3 Cables

Para las válvulas Solenoide consulta los diagramas a continuación para conectar los cables al terminal correcto del 3M-30. USAR SÓLO EN MODALIDAD DE CALEFACCIÓN Es posible que el tercer cable de la válvula esté denominado como 6, Y, o G (consultar la página 18).



← Favor de ir a la Página 6

Tabla de Referencia de Cableado

Cables que puedes encontrarte y lo que controlan

R o V o VR	RH y RC Electricidad sencilla para CALEFACCIÓN y AIRE ACONDICIONADO
RH o 4	RH Electricidad para CALEFACCIÓN (RH no conectado al RC sin conexión directa)
RC	RC Electricidad para el AIRE ACONDICIONADO (RH no conectado al RC sin conexión directa)
W	W Control de calefacción
W2	W2 2nda etapa de CALEFACCIÓN o bomba térmica auxiliar
W3	W3 3ra etapa de CALEFACCIÓN o 2nda etapa de calefacción auxiliar en sistemas de 2 etapas
Y	Y Control de AIRE ACONDICIONADO en compresión de primera etapa para bomba térmica.
Y2	Y2 Control de 2nda etapa de AIRE ACONDICIONADO o compresión de 2nda etapa para bomba térmica
G o F	G Control de VENTILADOR
C o X	C de electricidad de 24V CA (suministra corriente al termostato) NOTA: TRANE usa B para esta conexión
H	H Humidificador Externo
DH	DH Deshumidificador Externo
EX	EX deflector de aire fresco externo
B	B Conmutador de la bomba térmica (frío al calor, encendida como calefacción)
O	O Conmutador de la bomba térmica (calor al frío, encendida como aire acondicionado)
B y O	⚠ IMPORTANTE: Si hay cables B y cables O (Productos de bomba Trane) NO CONECTES el cable B al terminal B; conecta el cable B al terminal C. Si el producto no es de Trane envuelve el cable B con cinta adhesiva para neutralizarlo.
E	no disponible, Calefacción de emergencia (no conectar, neutralizar con cinta adhesiva)
L	no disponible, Seguimiento del sistema (no conectar, neutralizar con cinta adhesiva)
T	no disponible, sensor externo (no conectar, neutralizar con cinta adhesiva)

Bomba Térmica Lennox

V o VR o R	RH Corriente para la CALEFACCIÓN
M o Y	Y control de AIRE ACONDICIONADO
Y o W o W2	W2 CALEFACCIÓN de 2nda etapa
F o G	G Ventilador
R o O	O
X o X2	C

ProductosTrane [American Standard]

B	C corriente 24V CA (da corriente al termostato)
W o W1	W2 CALEFACCIÓN de 2nda etapa
X2	Calefacción de emergencia

(no conectar, neutralizar con cinta adhesiva)

Agua Caliente de Zona**De 2 cables****Terminal de tus Cables del Termostato**

R	RH
W	W

Conexión de 3 Cables**Válvulas de Motor**

R o 5	RH (corriente)
W o 4	W (calefacción ENCENDIDA)

Y o G o 6 (el 3er cable) **A** (calefacción APAGADA)

Y o G o 6 (el 3er cable) **A** (calefacción APAGADA)

Conexión de 3 Cables**Válvulas Solenoide**

R	RH (corriente)
W	A (calefacción ENCENDIDA)
Y o G (el 3er cable)	W (calefacción APAGADA)

Free Manuals Download Website

<http://myh66.com>

<http://usermanuals.us>

<http://www.somanuals.com>

<http://www.4manuals.cc>

<http://www.manual-lib.com>

<http://www.404manual.com>

<http://www.luxmanual.com>

<http://aubethermostatmanual.com>

Golf course search by state

<http://golfingnear.com>

Email search by domain

<http://emailbydomain.com>

Auto manuals search

<http://auto.somanuals.com>

TV manuals search

<http://tv.somanuals.com>